



GLIDER | DC

52"

CCT LED LIGHT OPTION

The Glider DC is available with or without a dimmable CCT LED Light.

**4 YEAR
MOTOR
WARRANTY**

1 YEAR IN HOME

3 YEAR MOTOR REPLACEMENT

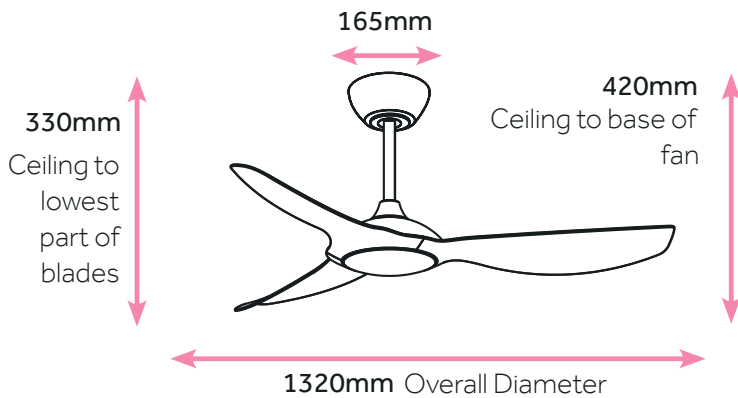
UPON PRODUCT REGISTRATION



NO LIGHT

C4500/101A - 52" White

C4500/202A - 52" Black



SPECIFICATIONS:

- Suitable for indoor / outdoor undercover use
- Reversible for winter use
- Includes remote control - 6 selectable speeds
- Energy saving DC motor
- Available with or without CCT Dimmable LED light
- Lightweight plastic blades
- Quiet operation
- 16° Blade pitch
- Suitable for angled ceilings Max 15°

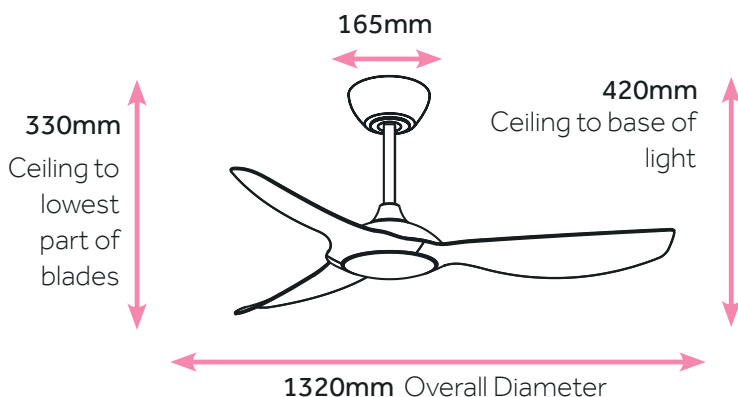
PERFORMANCE:

Speed	Power (Watts)	RPM	Airflow
1 - Low	4.9	91	6,180 m3/hr
2	7.7	111	8,700 m3/hr
3	11.8	133	9,840 m3/hr
4	17.7	155	11,520 m3/hr
5	25.9	177	12,900 m3/hr
6 - High	35.4	198	14,700 m3/hr

DIMMABLE CCT LED LIGHT

C4501/101A - 52" White

C4501/202A - 52" Black



DIMMABLE CCT LED LIGHT DATA:

Colour Temp	Power (Watts)	Max Lumens
3000k	24	1400
4500k	24	1500
6500k	24	1450

SP13-FL002

User replaceable LED light module, available to purchase if required or if you just want to have a spare!

2 RODS INCLUDED IN THE BOX!

We include 2 rods (125mm and 250mm long) in the box, all measurements are based on using the 125mm rod. The 250mm rod is perfect for higher than average ceilings.

ACCESSORIES

EXTENSION RODS

K000M/106A - 60cm White

K000M/206A - 60cm Black

K000M/112A - 120cm White

K000M/212A - 120cm Black