

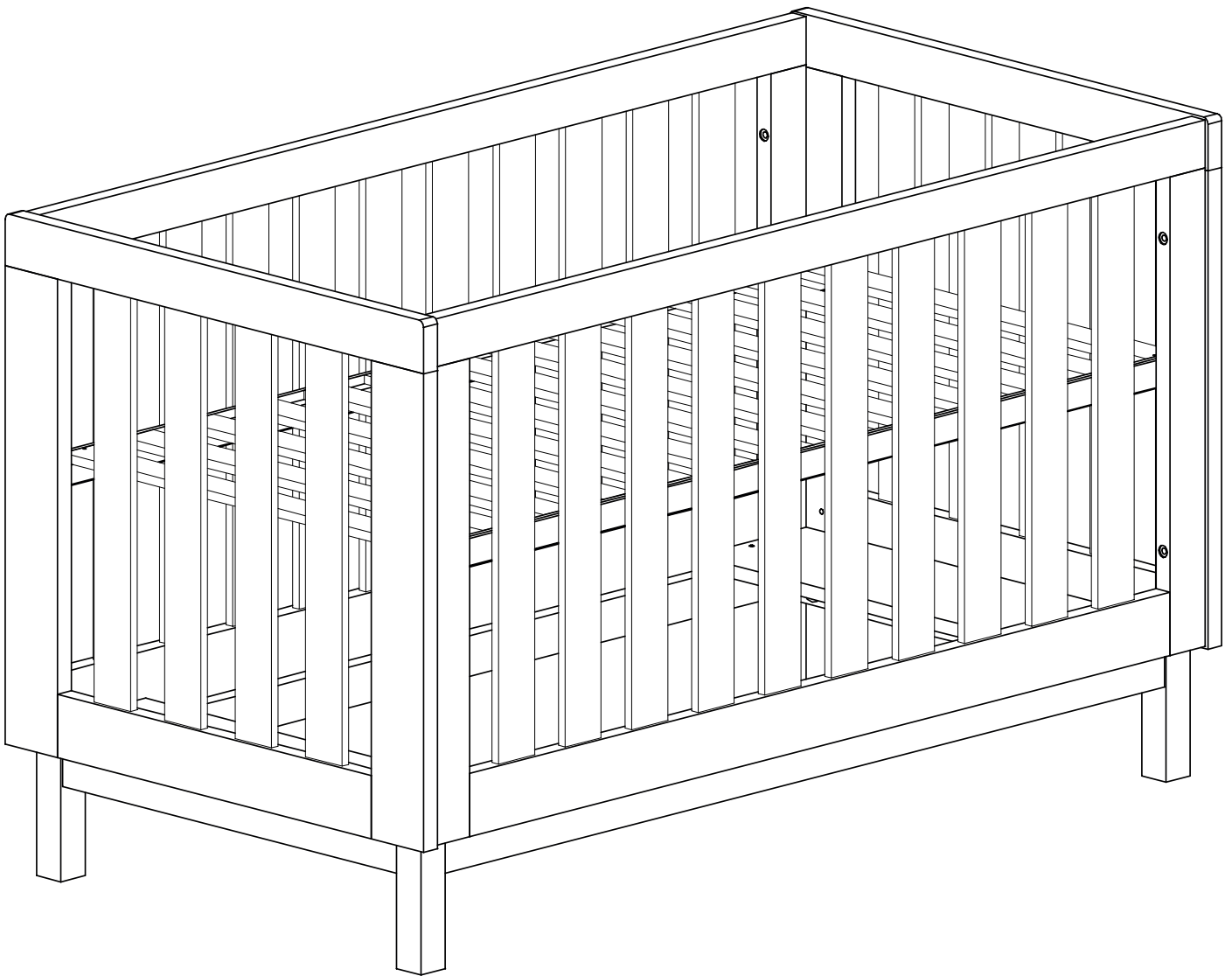
babyrest

BAILEY COT

140 x 70cm

Convertible Cot

Assembly Instructions



- The manufacturer's assembly instructions must be followed in detail to ensure the safety features of the cot are not compromised.
- To clean the surface, use a damp cloth with water. Do not use window cleaners or cleaning abrasives as this may scratch the surface and could damage the protective coating.



WARNING!

READ ALL INSTRUCTIONS BEFORE ASSEMBLING COT. KEEP THE MANUAL FOR FUTURE USE.



WARNING: (FALL HAZARD)

FOLLOW THE MANUFACTURER'S ASSEMBLY INSTRUCTIONS IN DETAIL TO ENSURE THE SAFETY FEATURES OF THE COT ARE NOT COMPROMISED. TO PREVENT FALLS, THE MATTRESS BASE OF THIS COT SHOULD BE ADJUSTED TO THE LOWEST POSITION BEFORE THE CHILD CAN SIT UP.

- Keep the cot at a reasonable distance from curtains, blinds, heaters, and power points.
- Keep medication, string, elastic, small toys or small item, such as money, out of reach from any position in the cot.
- Do not use this if you cannot exactly follow the accompanying instruction.
- Infants can suffocate on soft bedding. Never add a pillow or comforter. Never place additional padding under an infant.
- To reduce the risk of SIDS, paediatricians recommend healthy infants be placed on their backs to sleep, unless otherwise advised by your physician.
- Keep medication, string, elastic, small toys, or small items such as money out of reach from any position in the cot.
- To help prevent strangulation tighten all fasteners. A child can trap parts of the body or clothing on loose fasteners.
- Ensure the cot is placed at a reasonable distance from curtain, blinds, heaters and power points.
- Do not place this cot near a window or a patio door where a child could reach the cord of a blind or curtain and be strangled.
- Do not use this cot if the child is able to climb out unaided or is taller than 89cm.
- Check this product for damaged hardware, loose joints, loose bolts or other fasteners, missing parts or sharp edges before and after assembly and frequently during use. Securely tighten loose bolts and other fasteners. Do not substitute parts.
- Do not use water mattress with this cot.
- Never use plastic shipping bags or other films as mattress covers because they can cause suffocation.
- Infants can suffocate in gaps between cot sides when used with a mattress that is too small.
- Follow warnings on all products used in cot.
- Ensure that the sides are properly latched or locked in place when the cot is occupied.
- **RECOMMENDED MATTRESS SIZE:** This cot has been manufactured for use with a mattress which measures 700mm wide by 1400mm long and no more than 125mm thick. The width and length are specified because it is important that the gaps between the mattress and the sides and ends of the cot will not exceed 40mm when the mattress is pushed to one side or end, and 20mm when the mattress is centred in the cot. The thickness of the mattress has been specified to ensure that the depth of the cot is greater than 500mm with the mattress base in the lower position to minimize the risk of a child climbing or falling out of the cot.

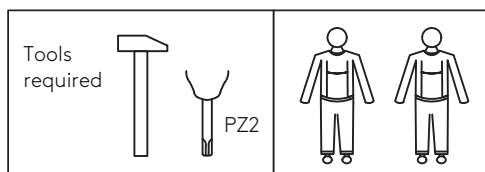
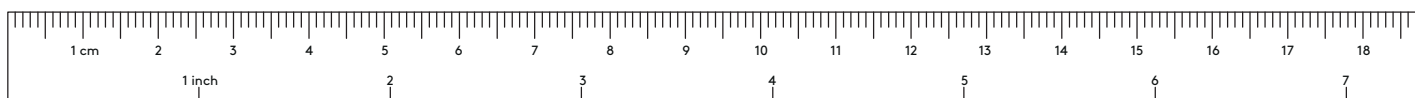
Babyrest by Anstel Brands

info@babyrest.com.au | +61 3 9131 6545
36 Sunline Drive, Truganina, VIC 2029

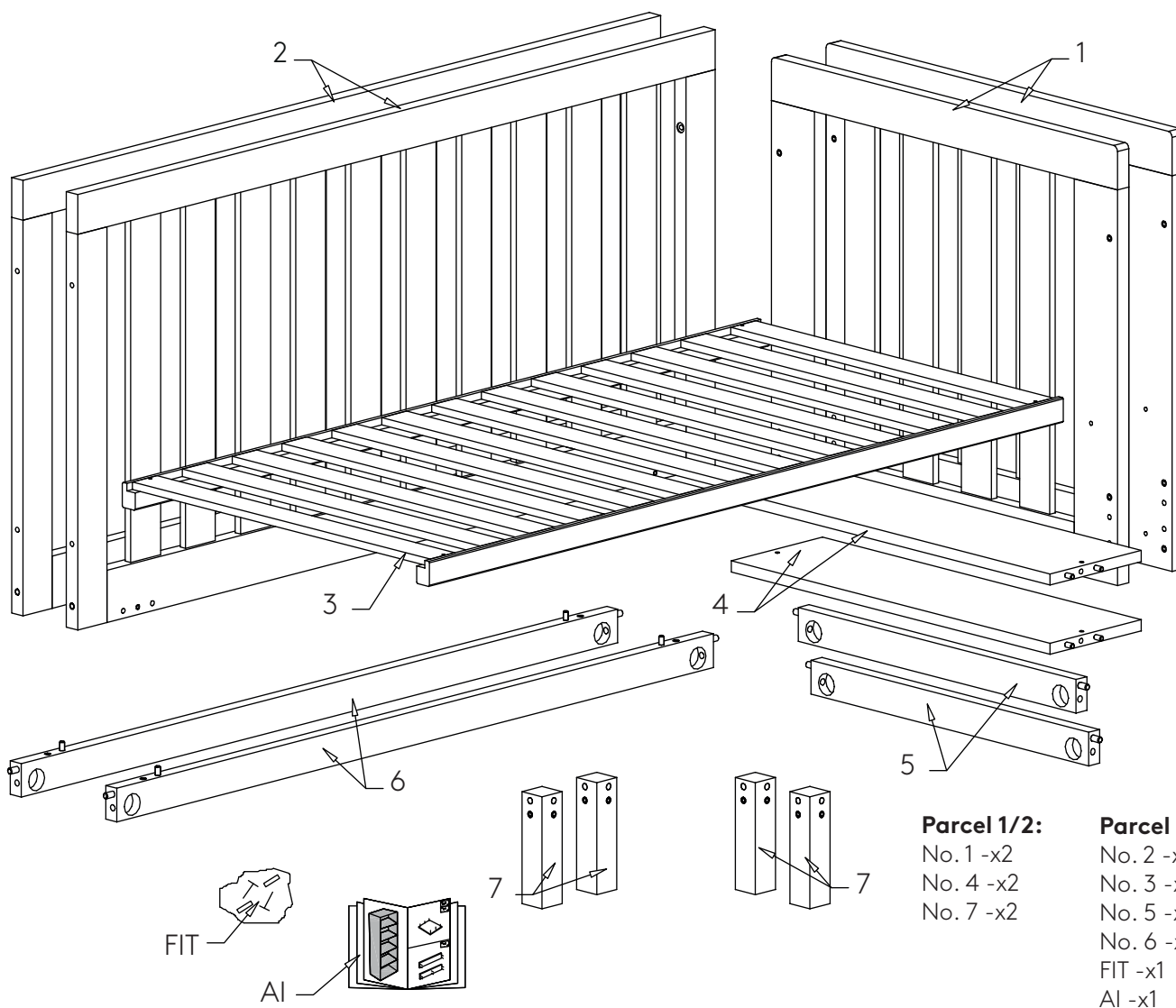
HARDWARE INVENTORY

B1 M6x70 x8	B2 M6x50 x4	B3 M6x35 x4	C x4	D1 Maxifix/M6 x8	D2 x8	E1 L-34/M6 x8
E2 Ø15x18 x8	SW6 x1	SW4 x2				

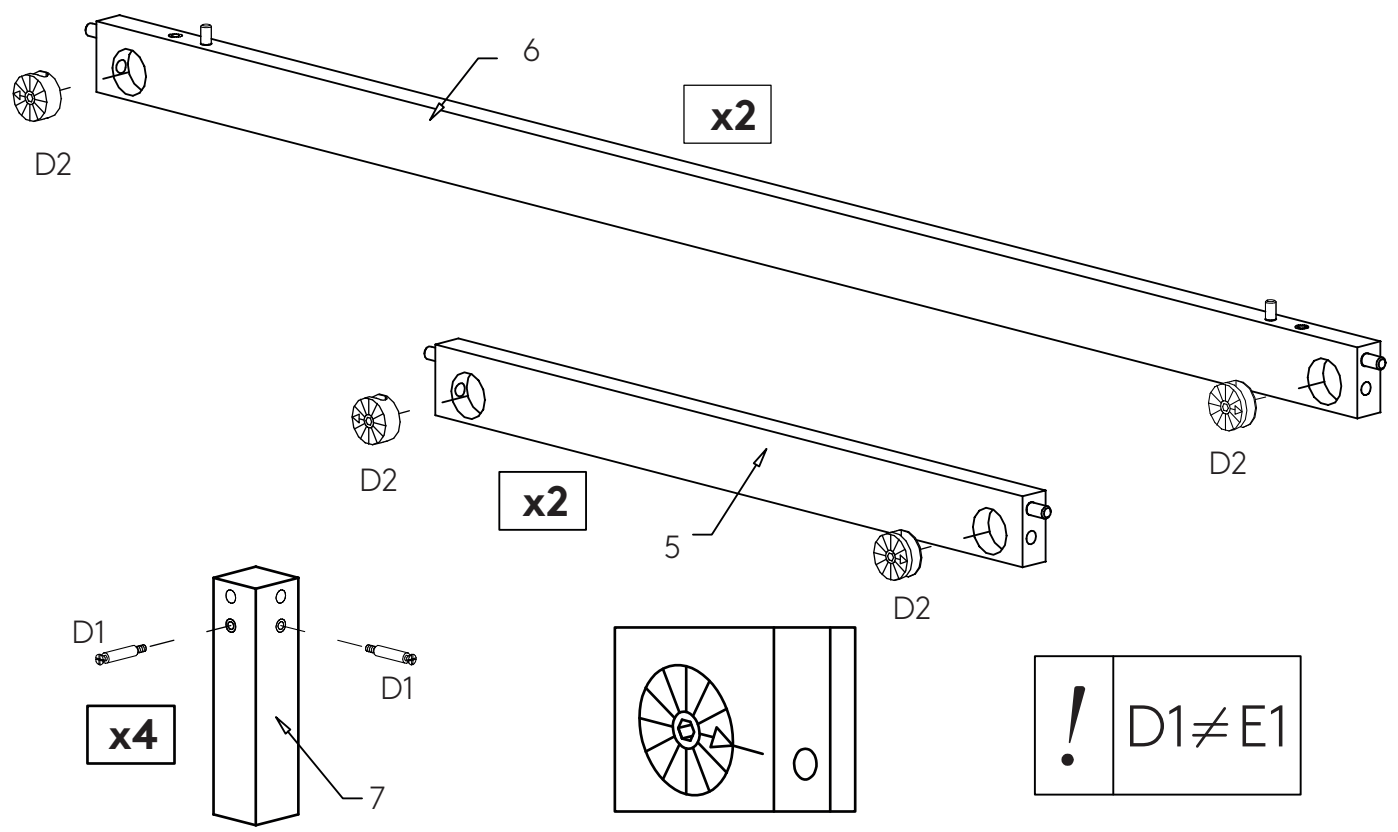
(!) Check hardware against ruler for correct screw. Example Item B1 is 70mm long.



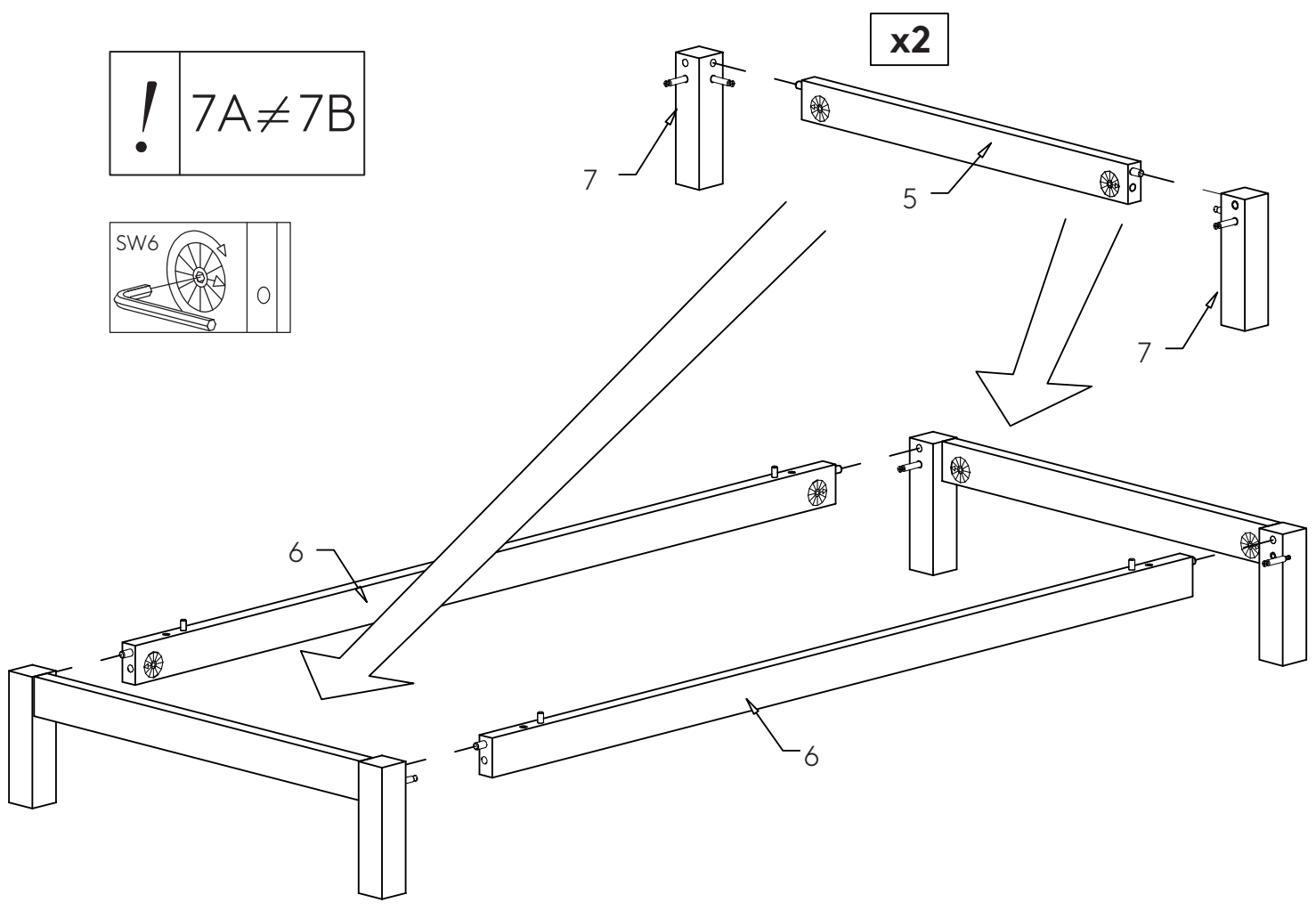
WARNING
Do not leave children unattended near furniture during installation to avoid danger of suffocation.



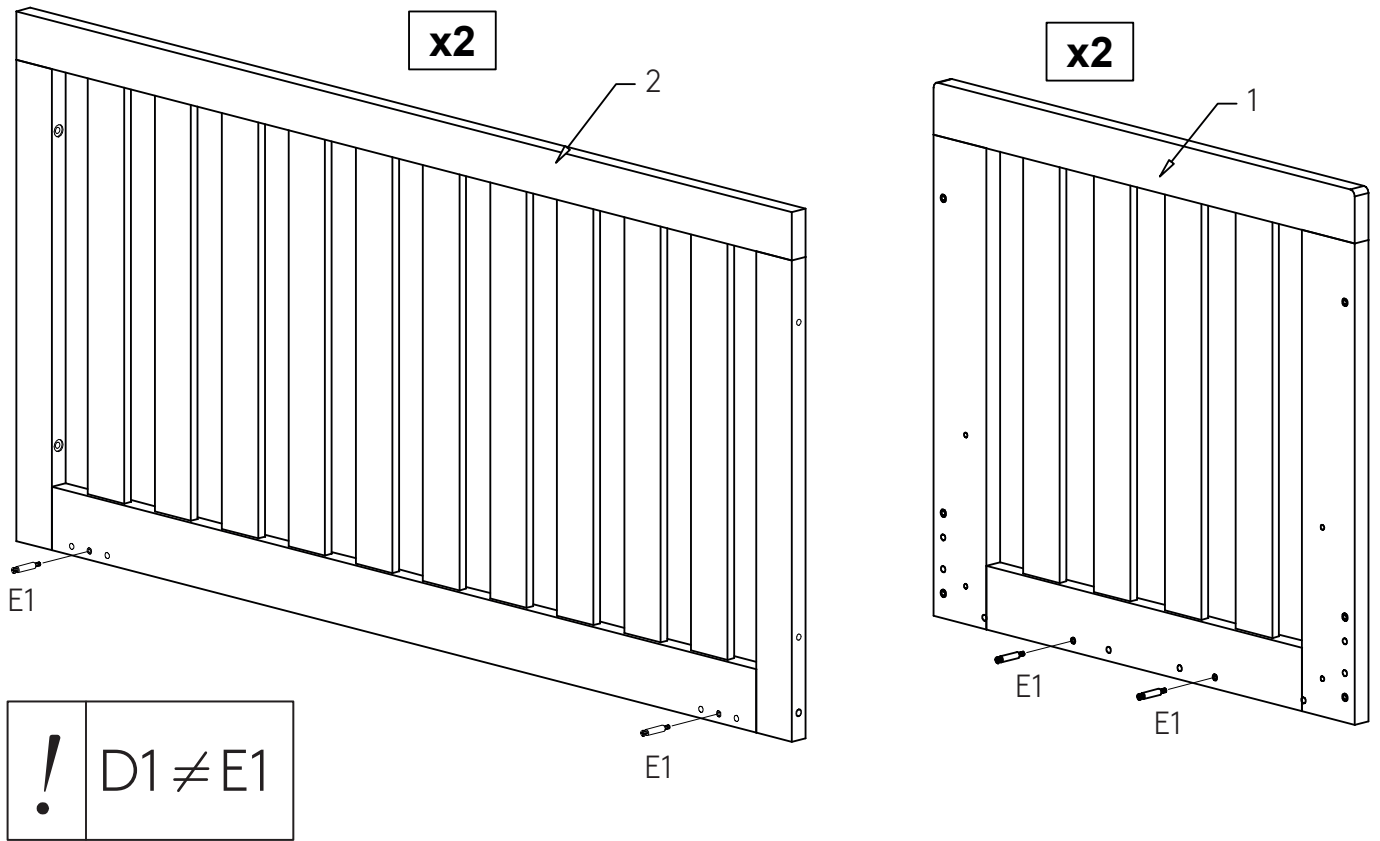
STEP 1



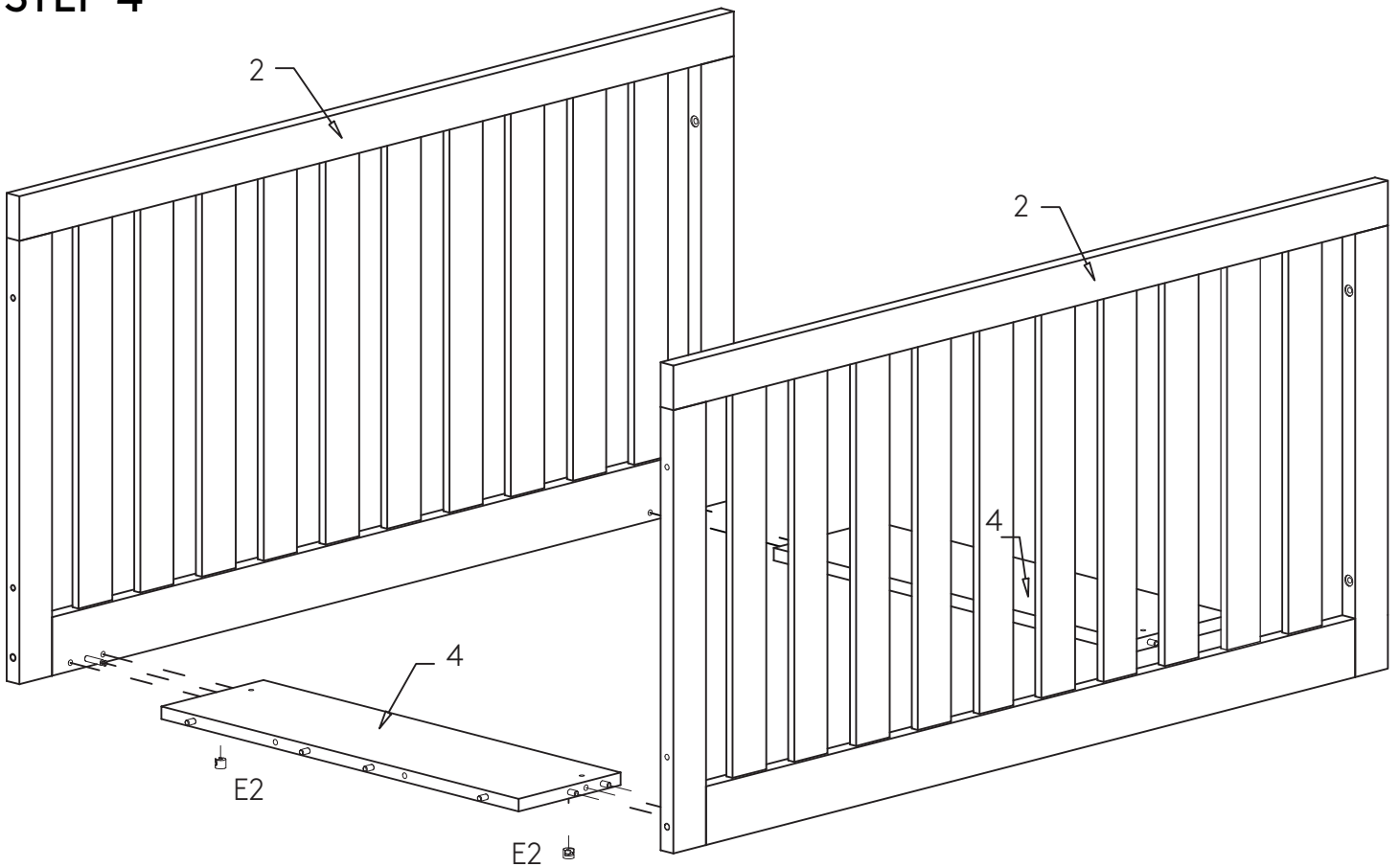
STEP 2



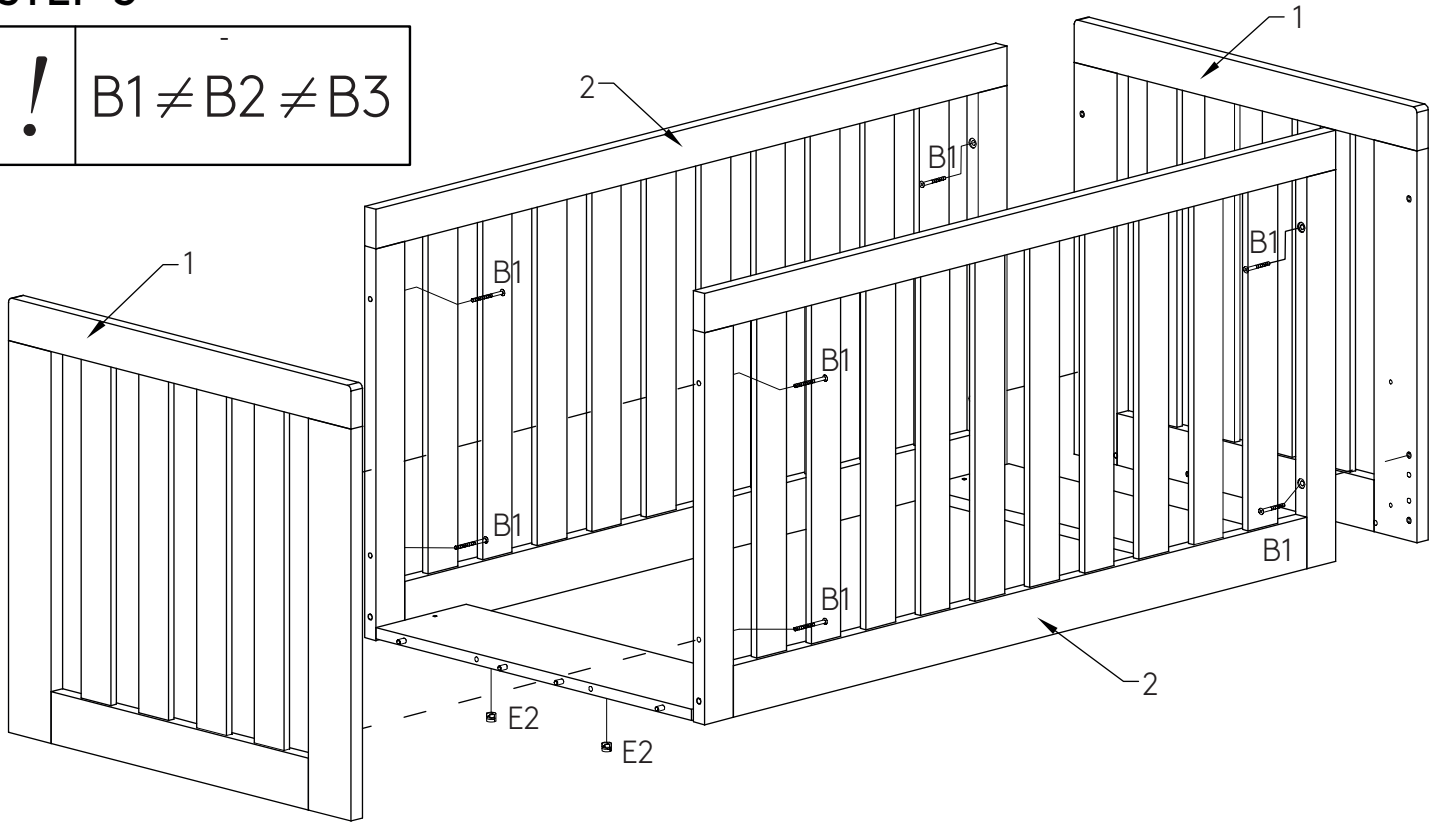
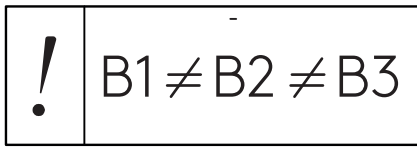
STEP 3



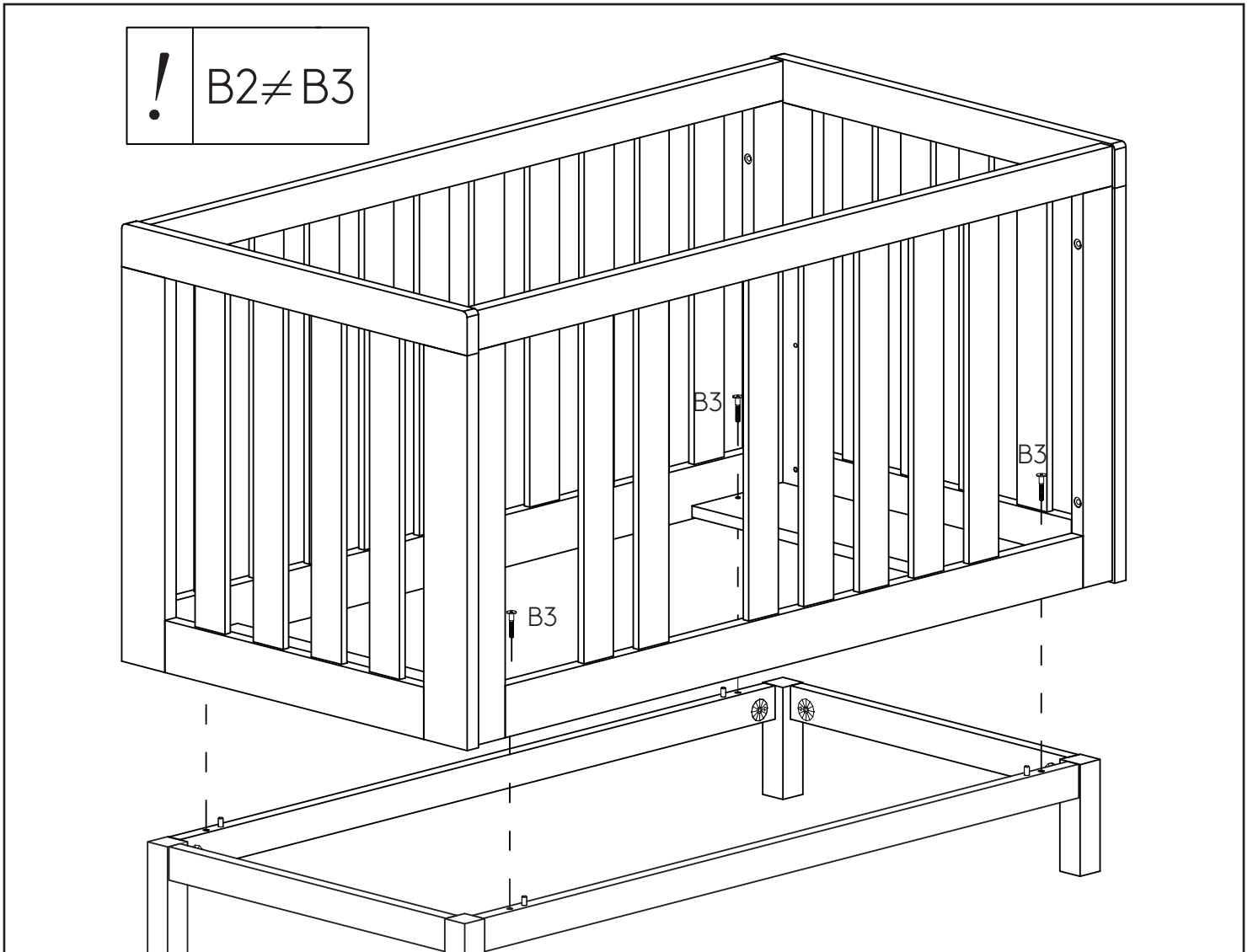
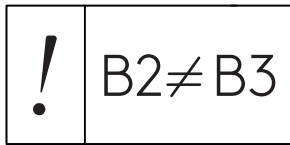
STEP 4



STEP 5

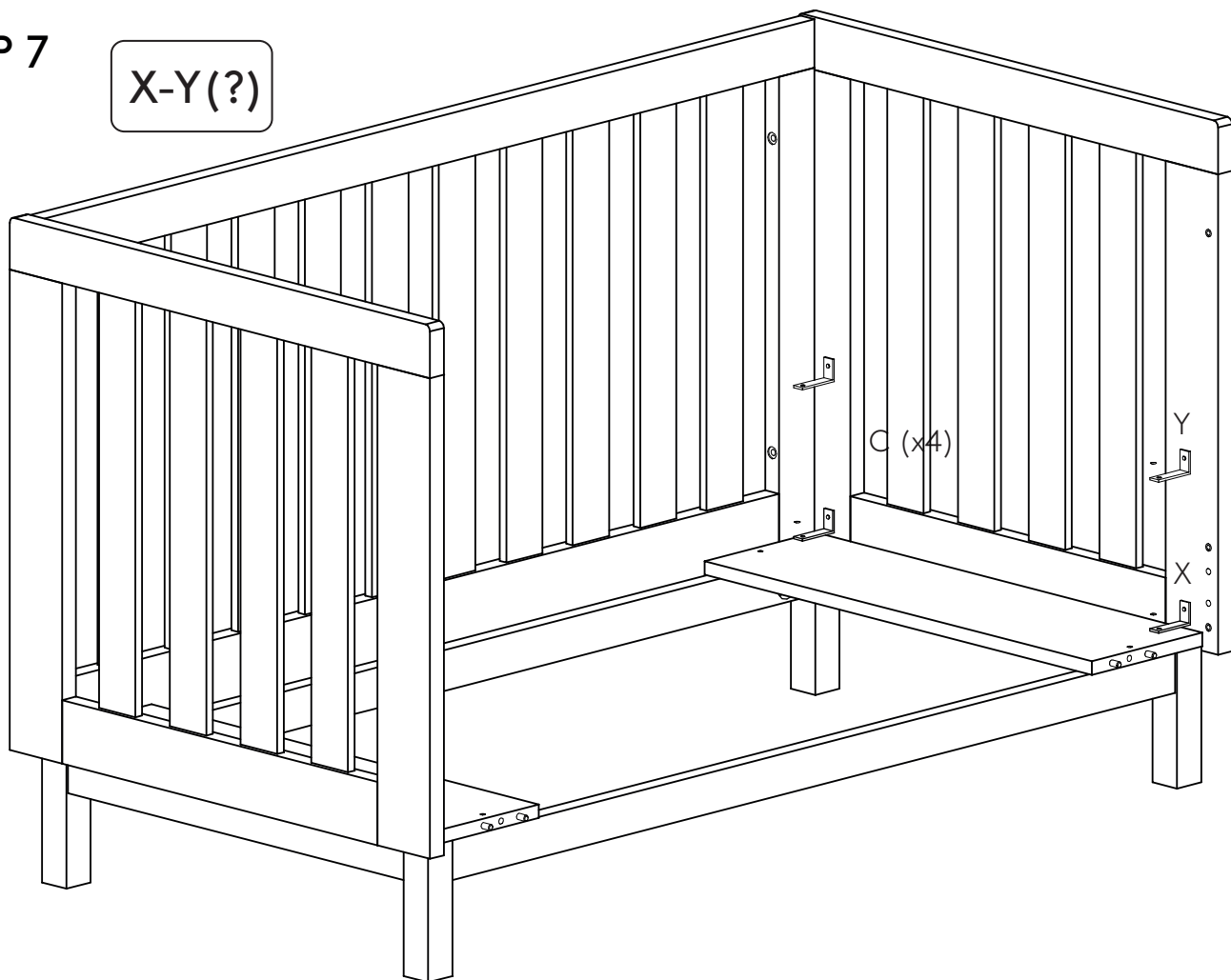


STEP 6



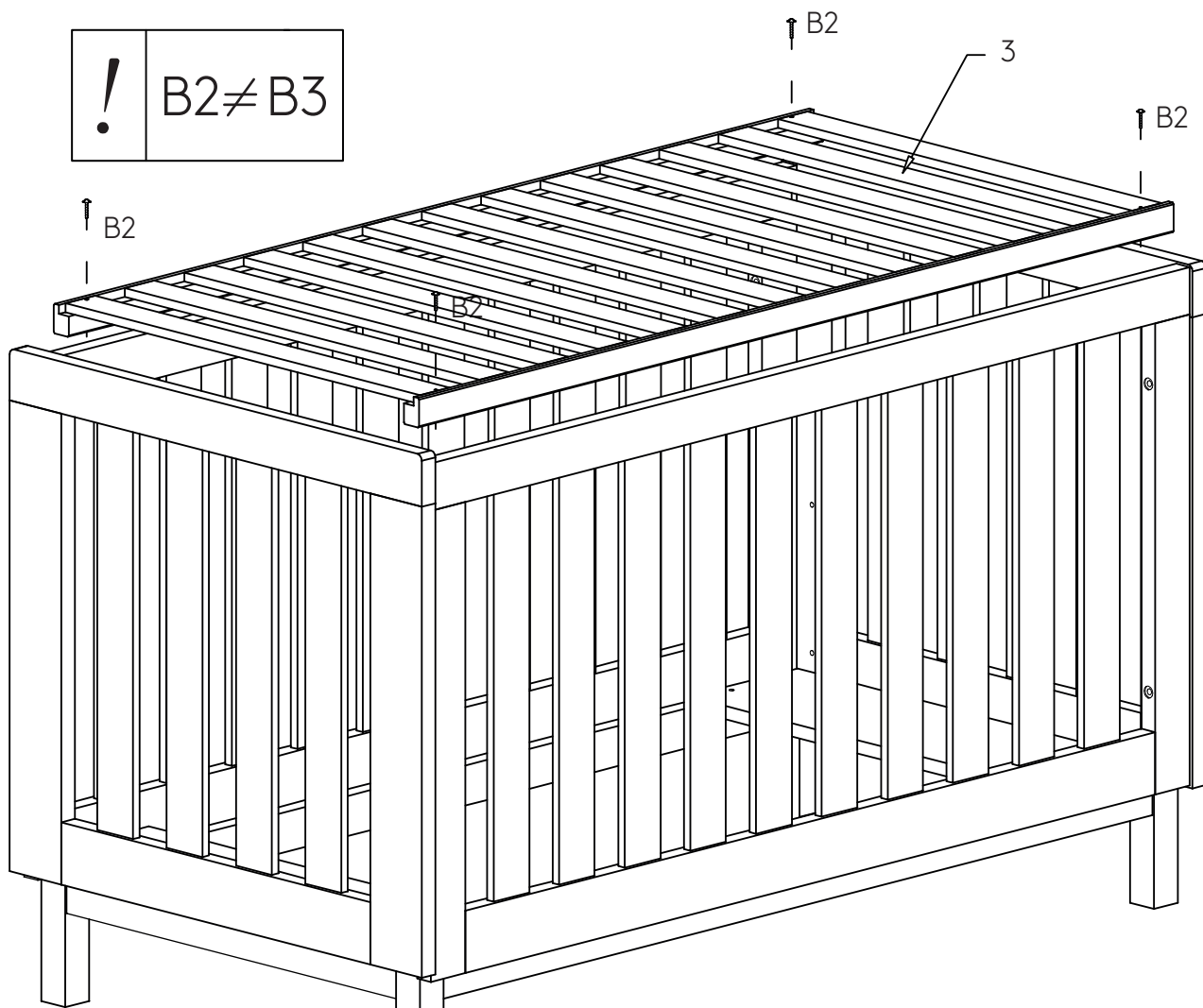
STEP 7

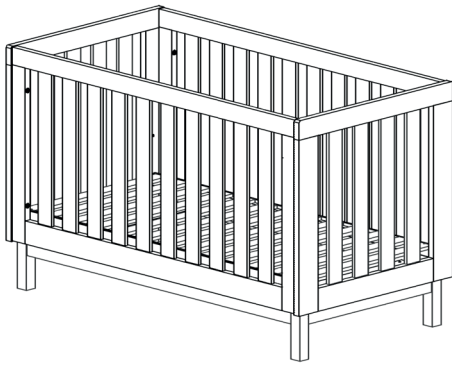
X-Y(?)



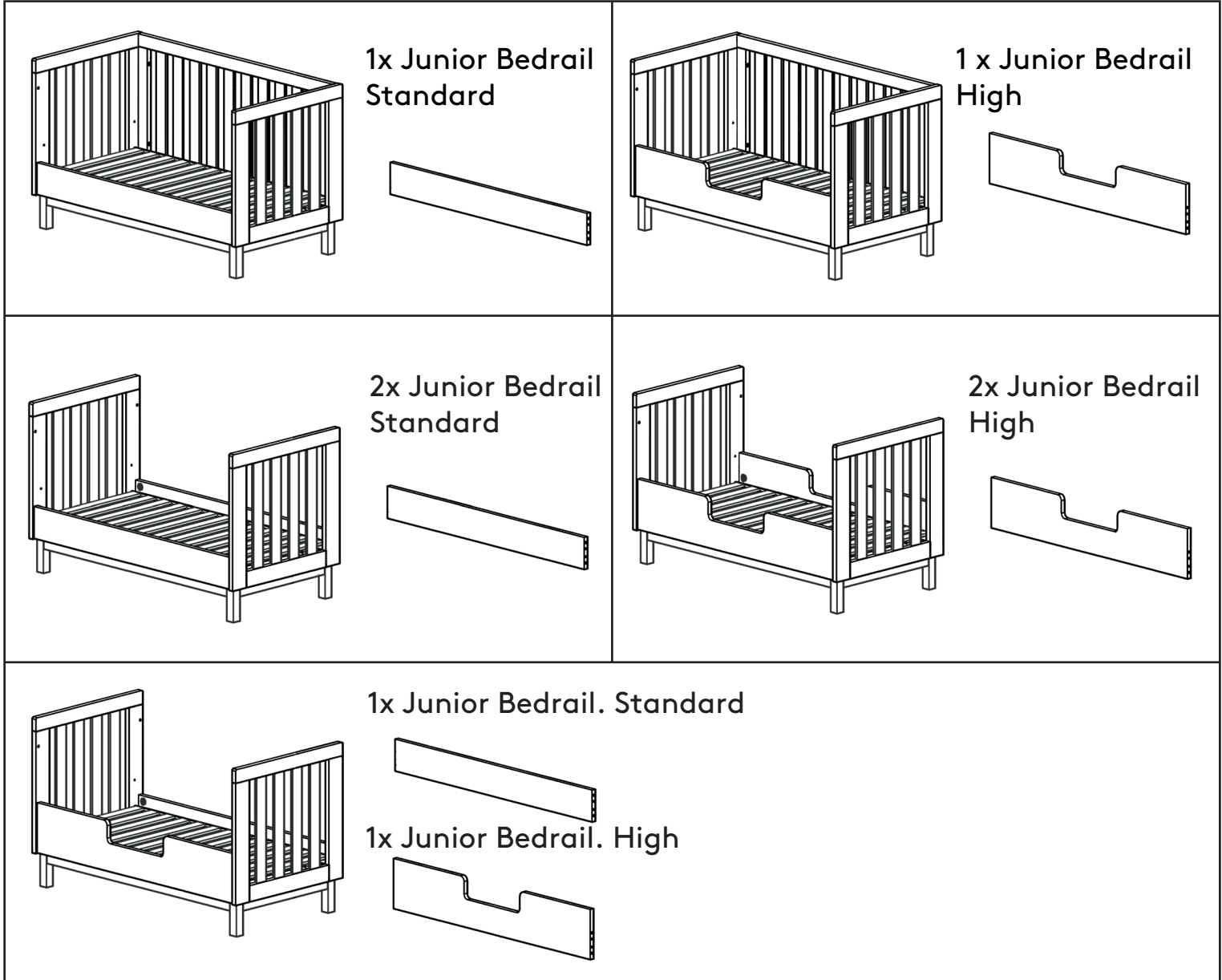
STEP 8

! $B2 \neq B3$





Optional Bed Rails to convert to Junior Bed



Babyrest
By Anstel Brands Pty Ltd

CONTACT US:
info@babyrest.com.au
+61 3 9131 6545
36 Sunline Drive,
Truganina, VIC, 3029

Country of Manufacture: Poland