

ASSEMBLY INSTRUCTION

DESCRIPTION

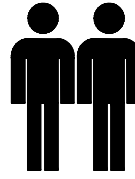
3001R1

NOOSA 6 DRAWER TALL CHEST

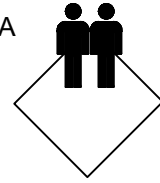
2 hr

APPROXIMATE ASSEMBLY TIME

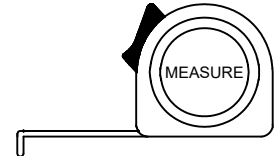
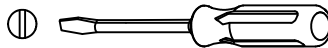
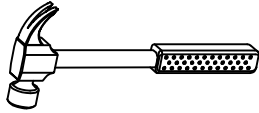
2 PERSON ASSEMBLY



FLOORAREA
2MX1.6M

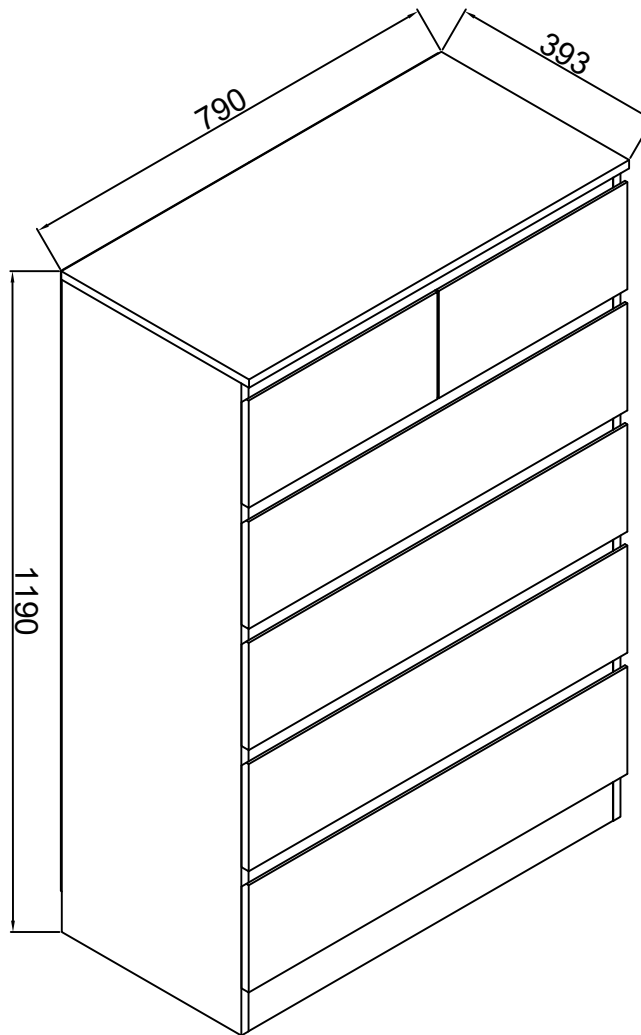


REQUIRED ASSEMBLY SOACE



REQUIRED ASSEMBLY TOOLS

ASSEMBLED DIMENSIONS



ASSEMBLY INSTRUCTION

DESCRIPTION

3001R1

NOOSA 6 DRAWER TALL CHEST



WARNING : ENSURE THE WALL STRAP IS ATTACHED TO AVOID SERIOUS INJURY OR DEATH.

To avoid any serious or fatal injury, a wall strap has been provided with this product to prevent toppling. Always secure this product with an anchor device to the wall or suitable surface. Wall fixing hardware are not included since different surface materials require different attachments. Please seek professional advice if you are in doubt of what fixing device to use.

Your product has been provided with a permanent safety label that should never be removed for safety reasons.

⚠ WARNING



Children have died from furniture tipover.

- ALWAYS secure this furniture with an anchor device.
- NEVER allow children to stand, climb or hang on drawers, doors, or shelves.
- NEVER open more than one drawer at a time.
- Place heavy items down low.

NEVER put a TV on this furniture 

For more information please visit www.productsafety.gov.au

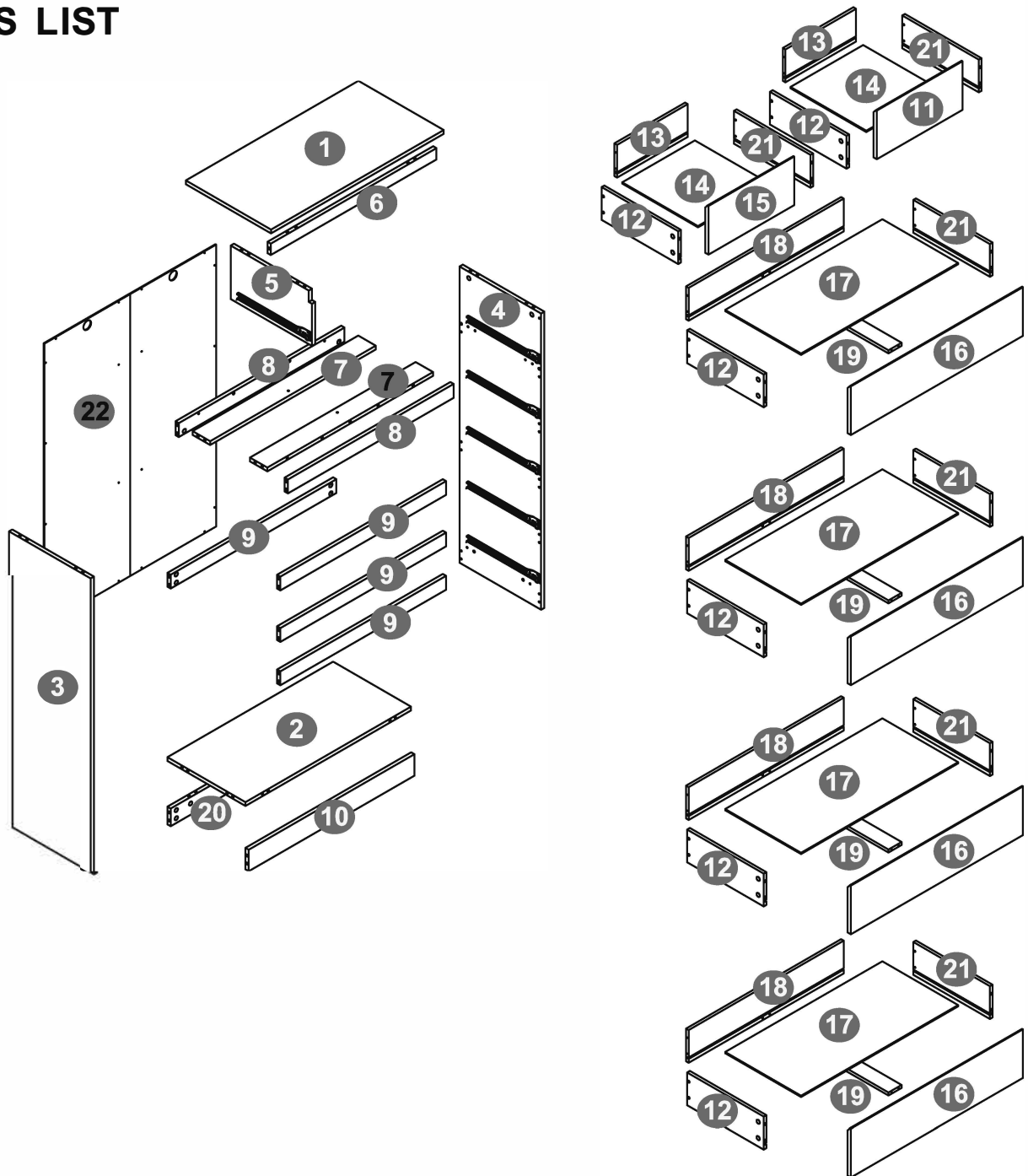
ASSEMBLY INSTRUCTION

DESCRIPTION

3001 R1

NOOSA 6 DRAWER TALL CHEST

PARTS LIST



NO.PARTS LIST	QTY
(1) Part1	1
(2) Part2	1
(3) Part3	1
(4) Part4	1
(5) Part5	1
(6) Part6	1
(7) Part7	2
(8) Part8	2
(9) Part9	4
(10) Part10	1
(11) Part11	1

QTY
1
1
1
1
1
1
2
2
4
1
1

NO.PART LIST	QTY
(12) Part12	6
(13) Part13	2
(14) Part14	2
(15) Part15	1
(16) Part16	4
(17) Part17	4
(18) Part18	4
(19) Part19	4
(20) Part20	1
(21) Part21	6
(22) Part22	1

QTY
6
2
2
1
4
4
4
4
1
6
1

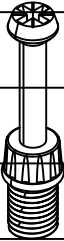
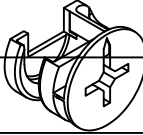

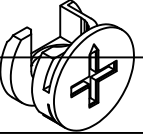
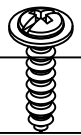
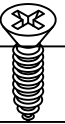
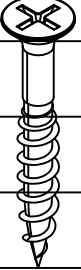
ASSEMBLY INSTRUCTION

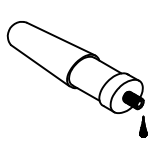
DESCRIPTION

3001R1

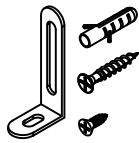
NOOSA 6 DRAWER TALL CHEST

HARDWARE LIST

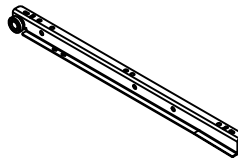
							7cm
							6cm
							5cm
							4cm
							3cm
							2cm
							1cm
							0cm
							
92X	60X	24X	32X	24X	20X	34X	
M7.5m/m	Dia:15x11.5m/m	Dia:8x30m/m	Dia:15x9.5m/m	Dia:3x16m/m	Dia:3x14m/m	Dia:3.5x35m/m	
A	B	C	D	E	F	G	
CAM-BOLT	CAM-LOCK	WOOD DOWEL	CAM-LOCK	WOOD SCREW	WOOD SCREW	WOOD SCREW	



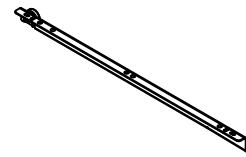
1X
H
GLUE



2X
I



6X
Dia:14"
Y
RIGHT RUNNER



6X
Dia:14"
L
LEFT RUNNER

ASSEMBLY INSTRUCTION

DESCRIPTION

3001 R1

NOOSA 6 DRAWER TALL CHEST

Top Tips before you start!

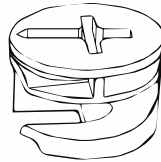
1. Please check that all parts are present before you start the assembly of your furniture, as once assembled, the furniture is exempt from our home approval policy.
2. For ease and speed of assembly, we recommend that before you commence each step of the assembly, that you identify all the parts required for that step.
3. For larger items, please ensure that you have sufficient space and people (as indicated on page 1) to assemble your product safely.
4. We recommend that, where possible, all items are assembled near to the area in which they will be placed in use, to avoid moving the product unnecessarily once assembled.
5. For the protection of your furniture, particularly items of high gloss finish, we recommend that the product is placed on a protected surface during assembly to prevent any damage.
6. During assembly please take care not to over-tighten any fittings, as this may damage the product.

Care and Maintenance of your Furniture

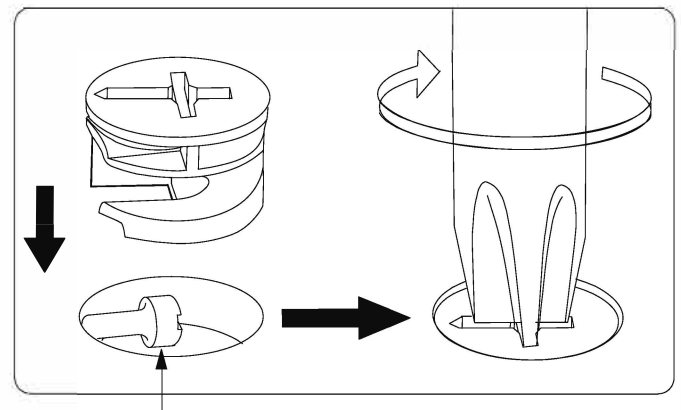
- Please periodically check all fittings and re-tighten as necessary.
- Please do not drag or pull your furniture.
- Wipe occasionally with a soft cloth slightly dampened with water. Then buff with a dry clean soft cloth.
- Never allow any kind of liquid to remain on your furniture. Absorption can cause wood to warp or finishes to de-laminate.
- Please do not sit or stand on this item.

SPECIAL TIPS FOR FITTING CAM-LOCKS AND CAM-BOLTS

CAM-LOCK



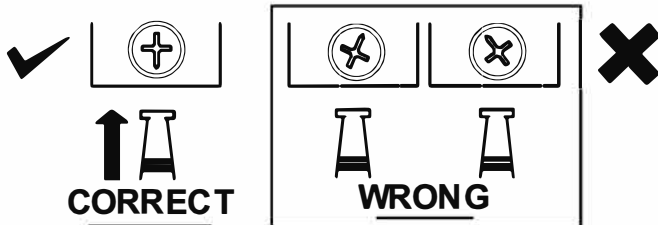
Align with long point of cross



Lock head needs to be in centre

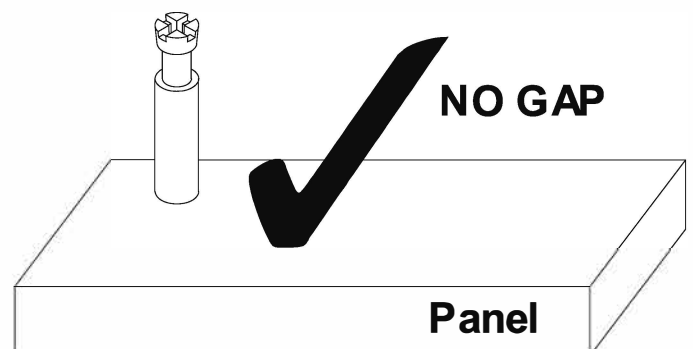
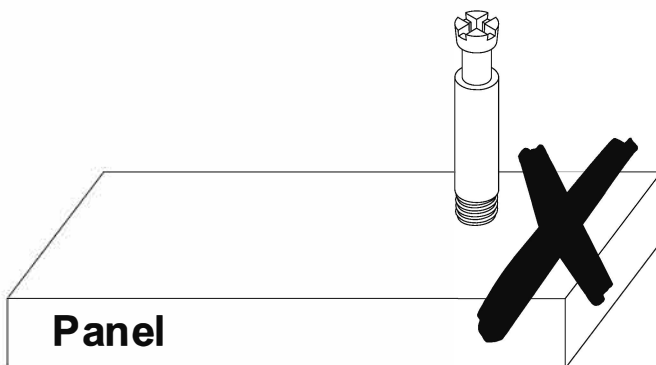
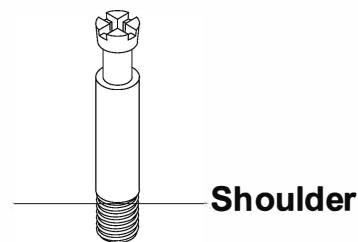
WHEN FITTING CAMS

ENSURE STARTING POSITION IS CORRECT
BEFORE YOU INSERT CONNECTING CAM-BOLTS
TURN CLOCKWISE UNTIL SECURE



CAM-BOLT

Tighten until shoulder is flush
with panel. Do not overtighten
or undertighten (see example
below)



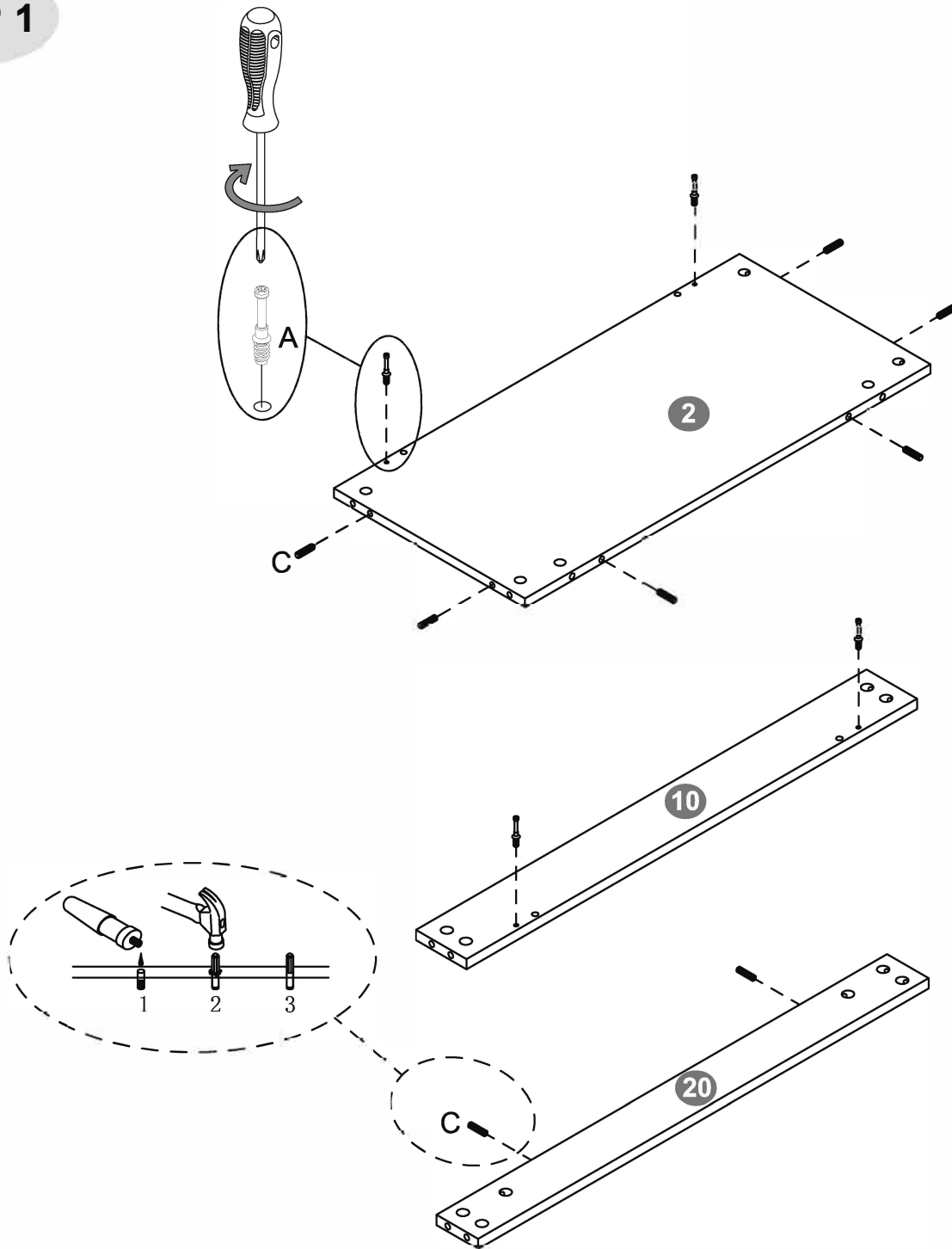
ASSEMBLY INSTRUCTION

DESCRIPTION

3001 R1

NOOSA 6 DRAWER TALL CHEST

STEP 1



4X

A



8X

C

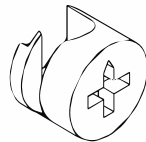
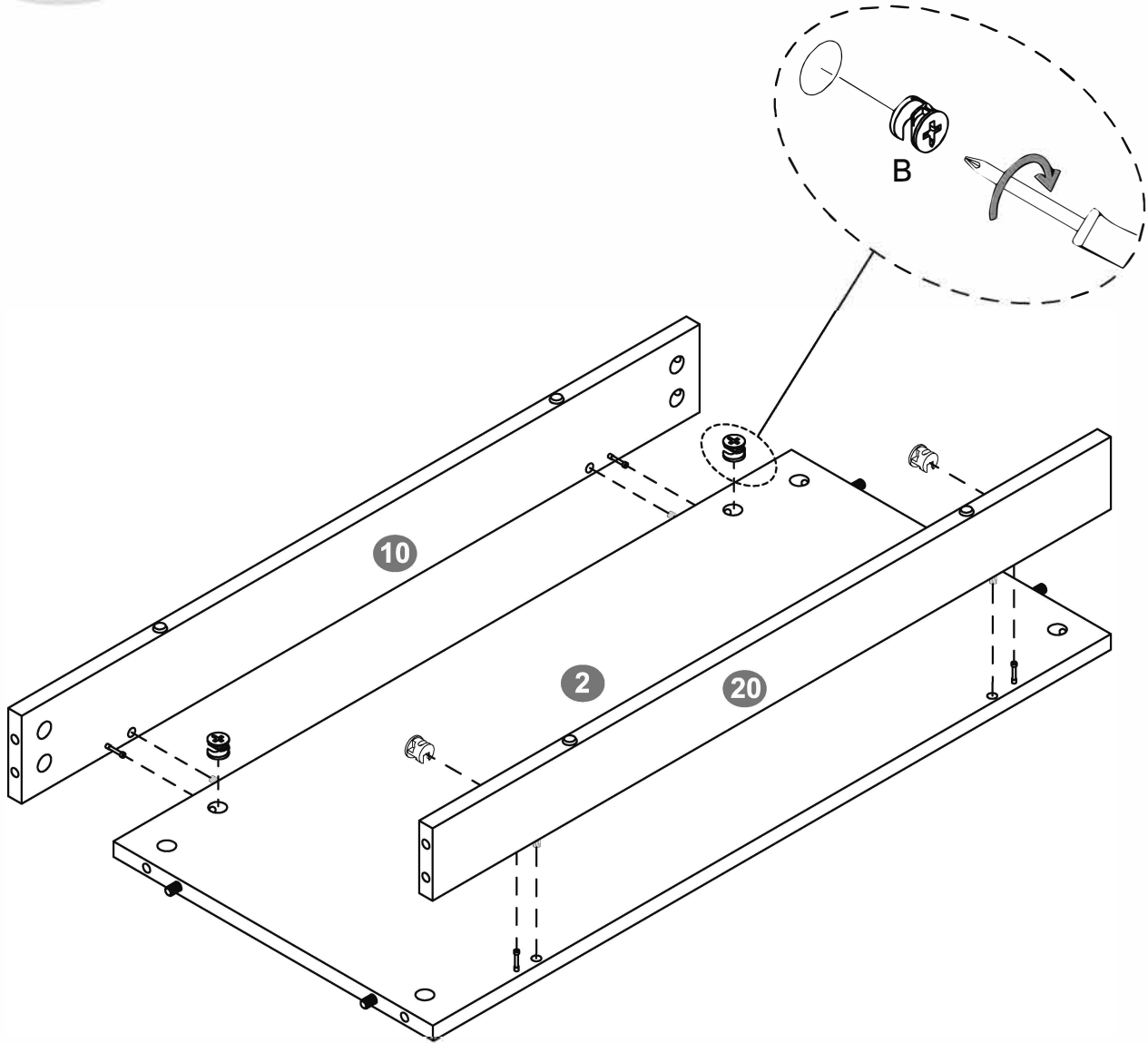
ASSEMBLY INSTRUCTION

DESCRIPTION

3001R1

NOOSA 6 DRAWER TALL CHEST

STEP 2



4X
B

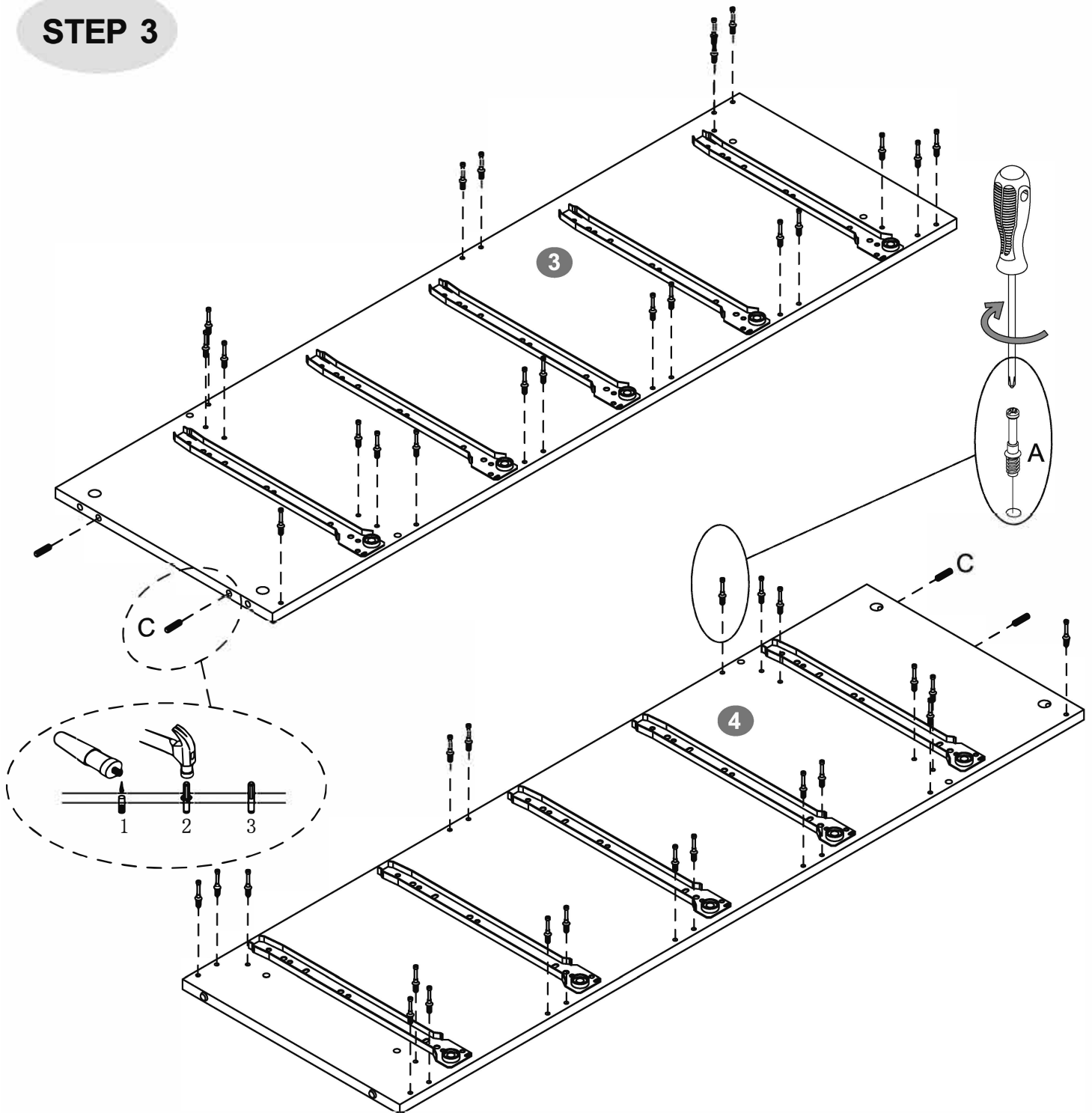
ASSEMBLY INSTRUCTION

DESCRIPTION

3001R1

NOOSA 6 DRAWER TALL CHEST

STEP 3



42X

A



4X

C

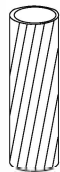
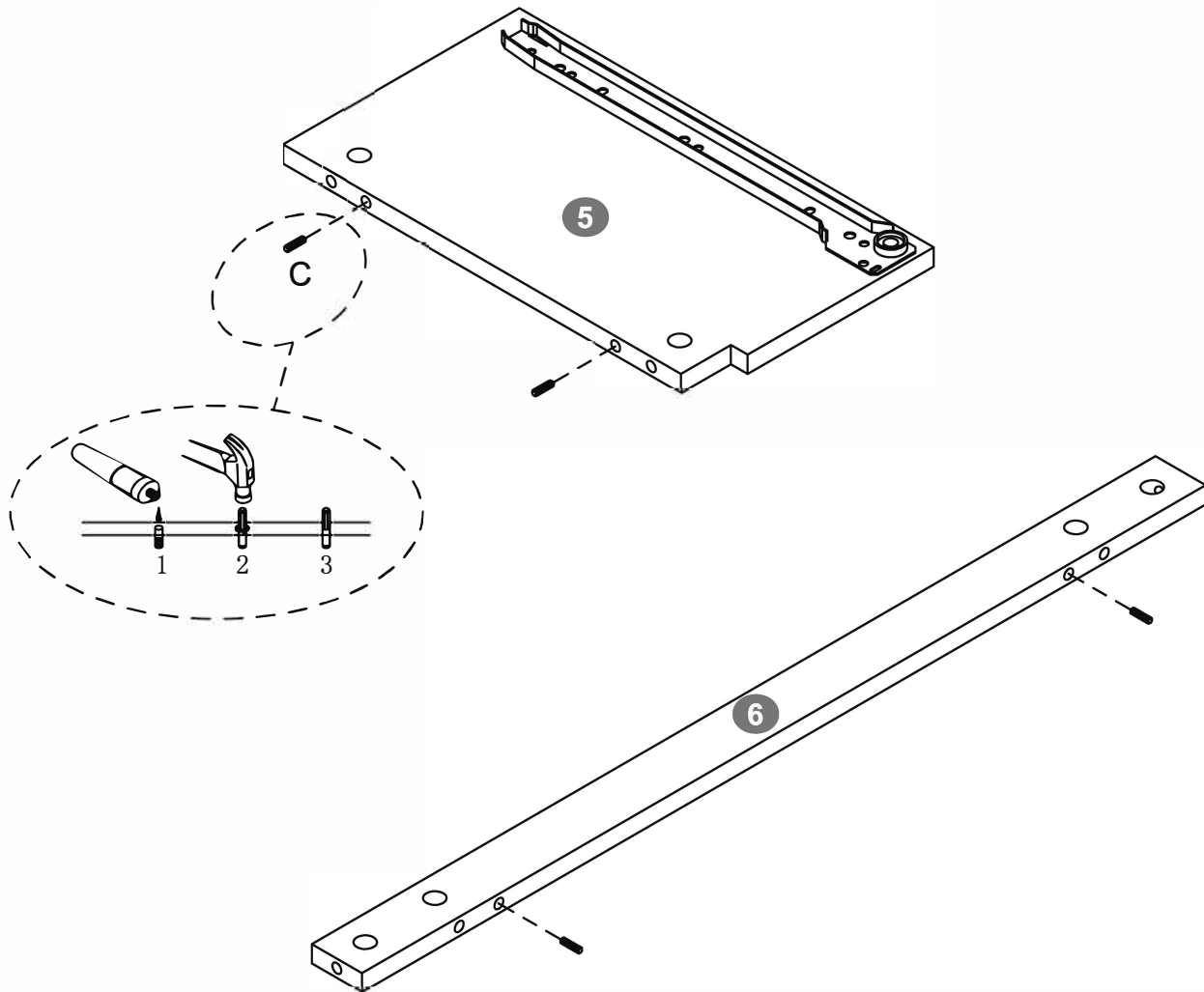
ASSEMBLY INSTRUCTION

DESCRIPTION

3001R1

NOOSA 6 DRAWER TALL CHEST

STEP 4



4X

C

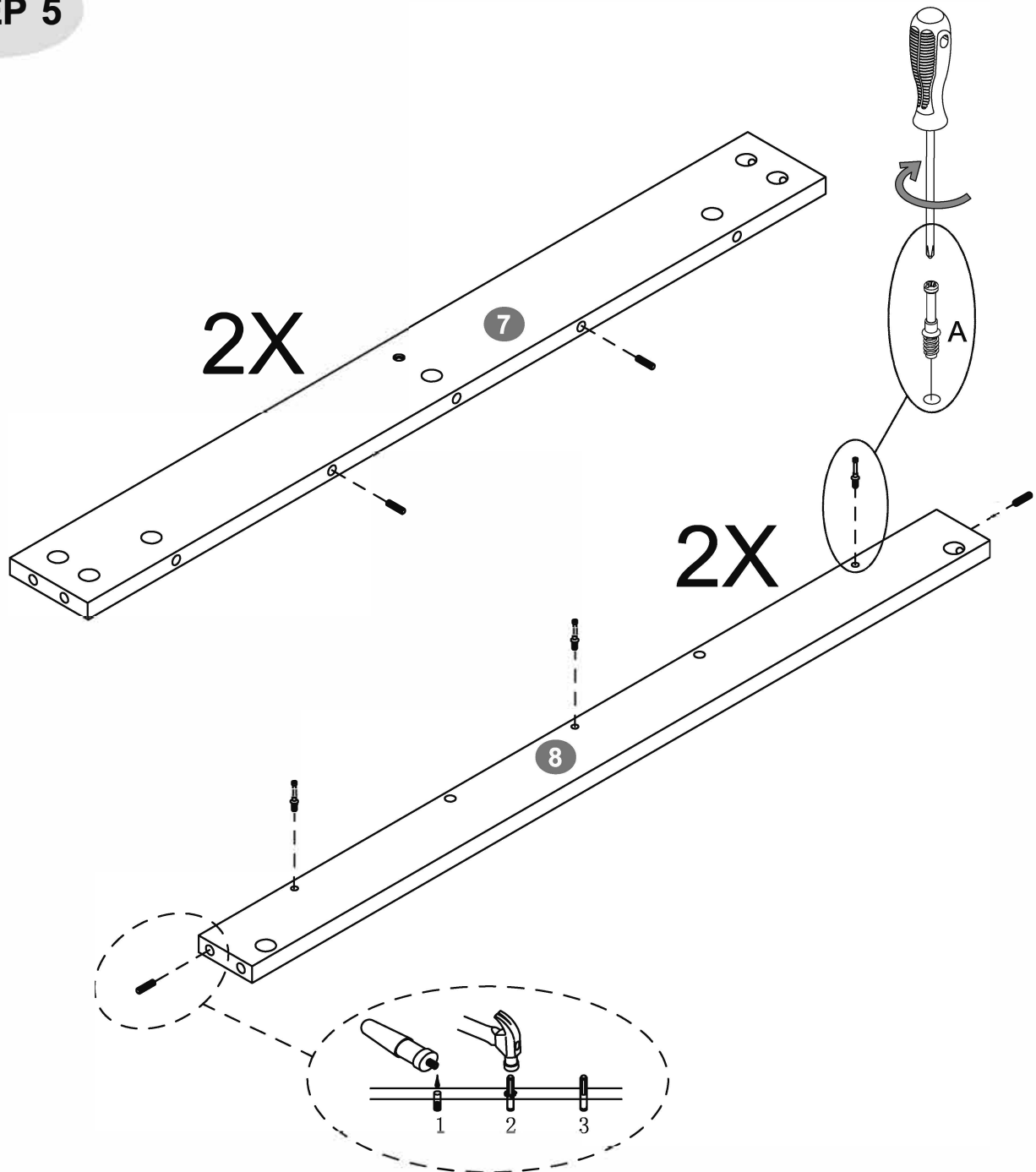
ASSEMBLY INSTRUCTION

DESCRIPTION

3001 R1

NOOSA 6 DRAWER TALL CHEST

STEP 5



6X

A



8X

C

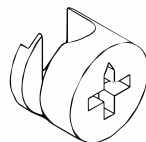
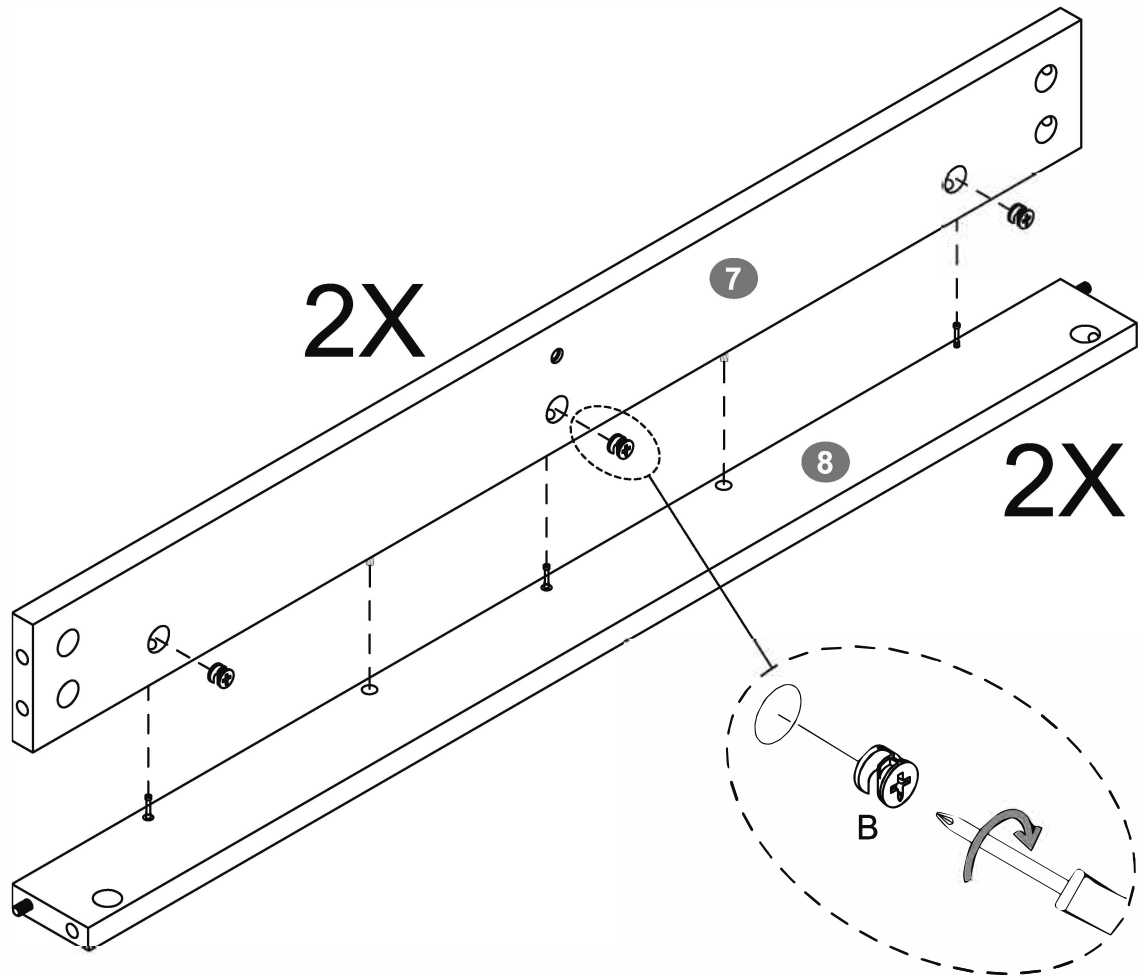
ASSEMBLY INSTRUCTION

DESCRIPTION

3001 R1

NOOSA 6 DRAWER TALL CHEST

STEP 6



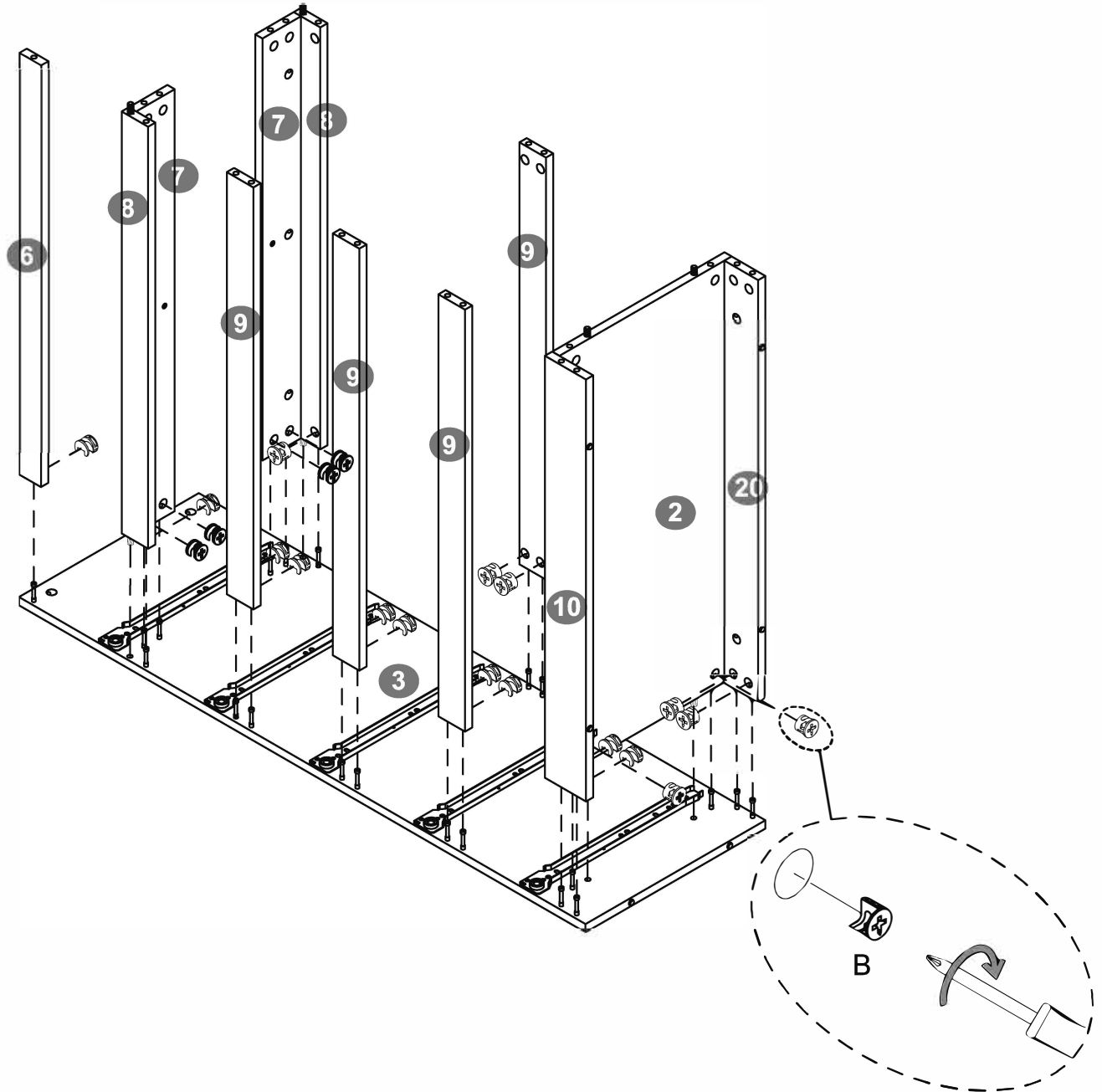
6X
B

ASSEMBLY INSTRUCTION

DESCRIPTION
3001R1

NOOSA 6 DRAWER TALL CHEST

STEP 7



21X
B

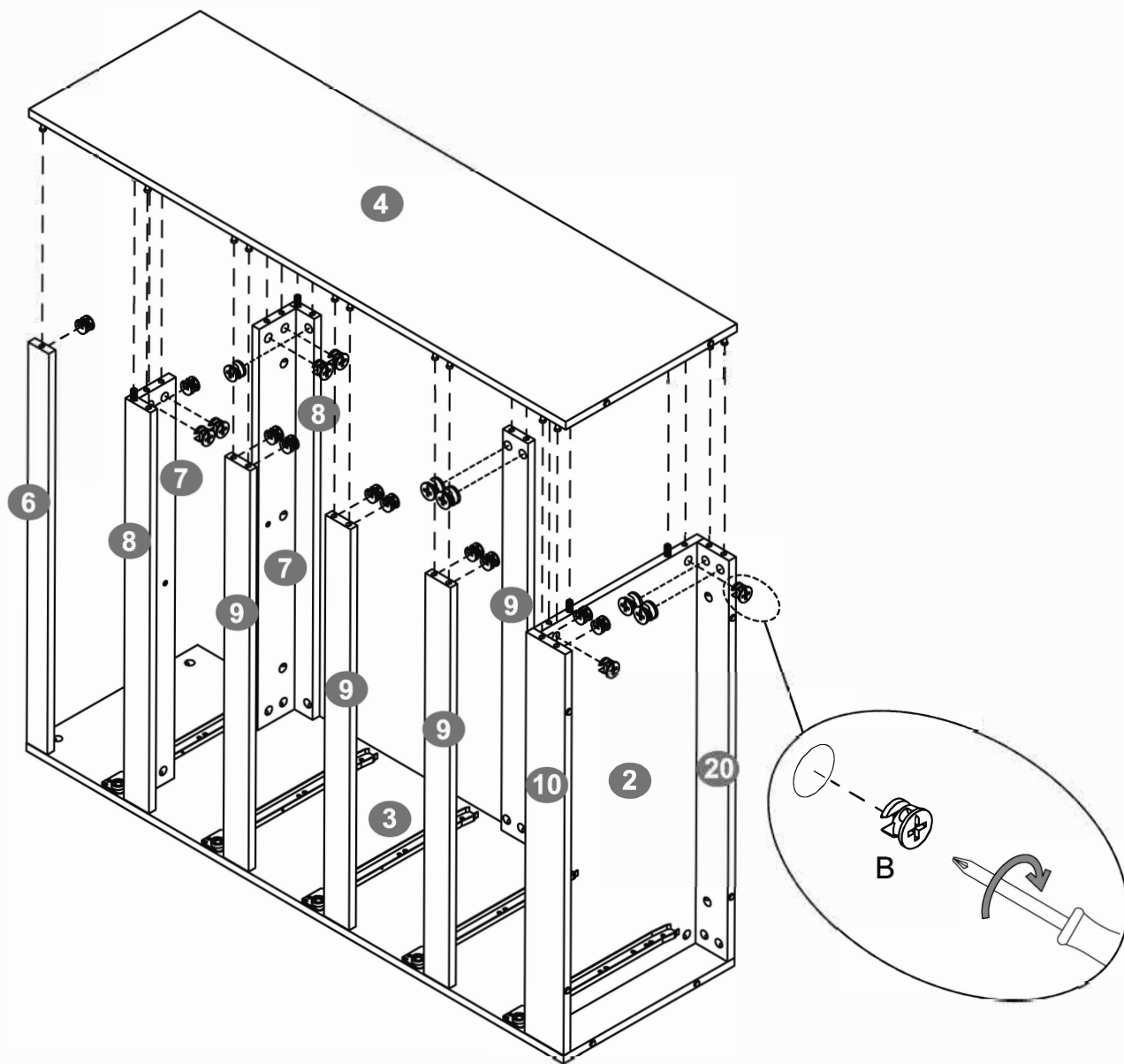
ASSEMBLY INSTRUCTION

DESCRIPTION

3001R1

NOOSA 6 DRAWER TALL CHEST

STEP 8



21X
B

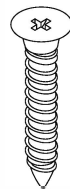
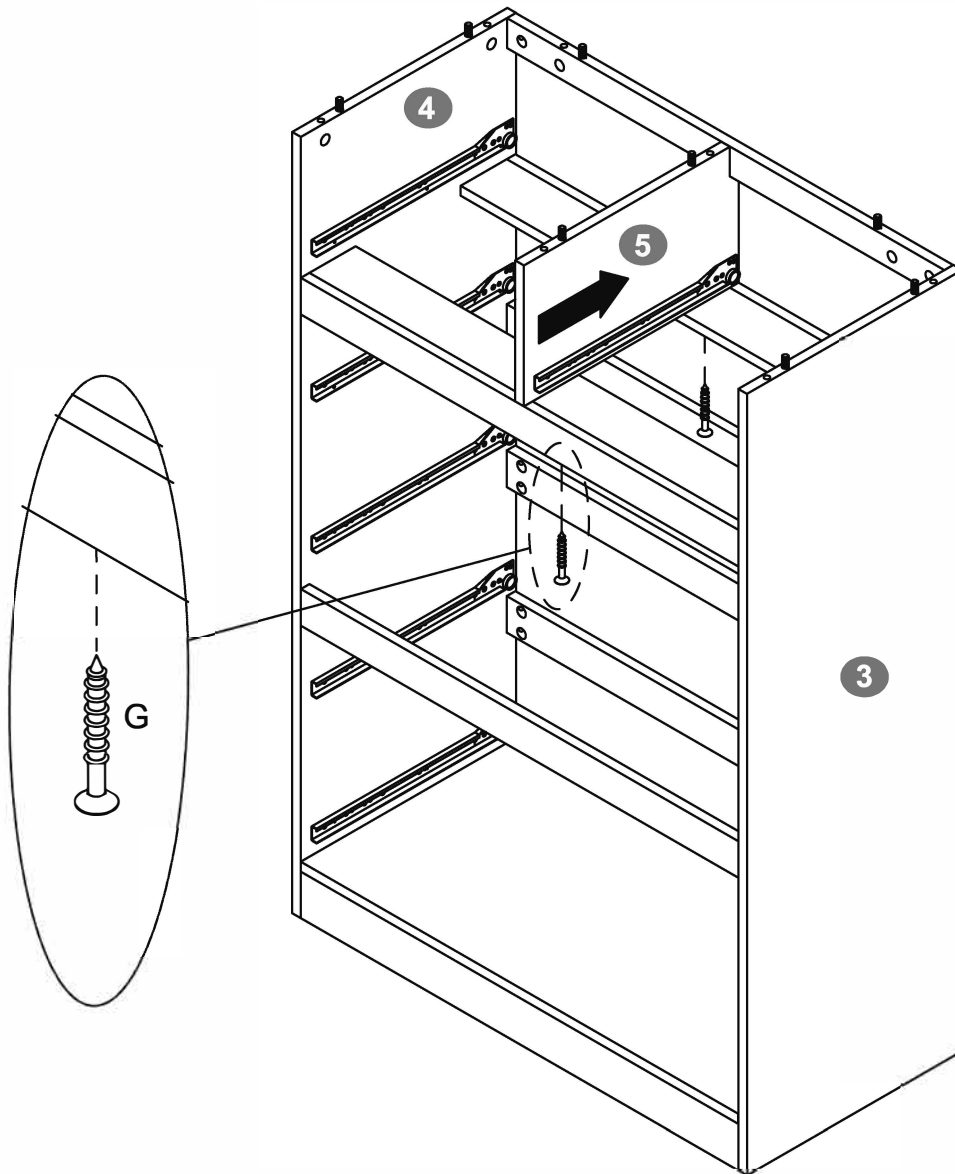
ASSEMBLY INSTRUCTION

DESCRIPTION

3001 R1

NOOSA 6 DRAWER TALL CHEST

STEP 9



2X
G

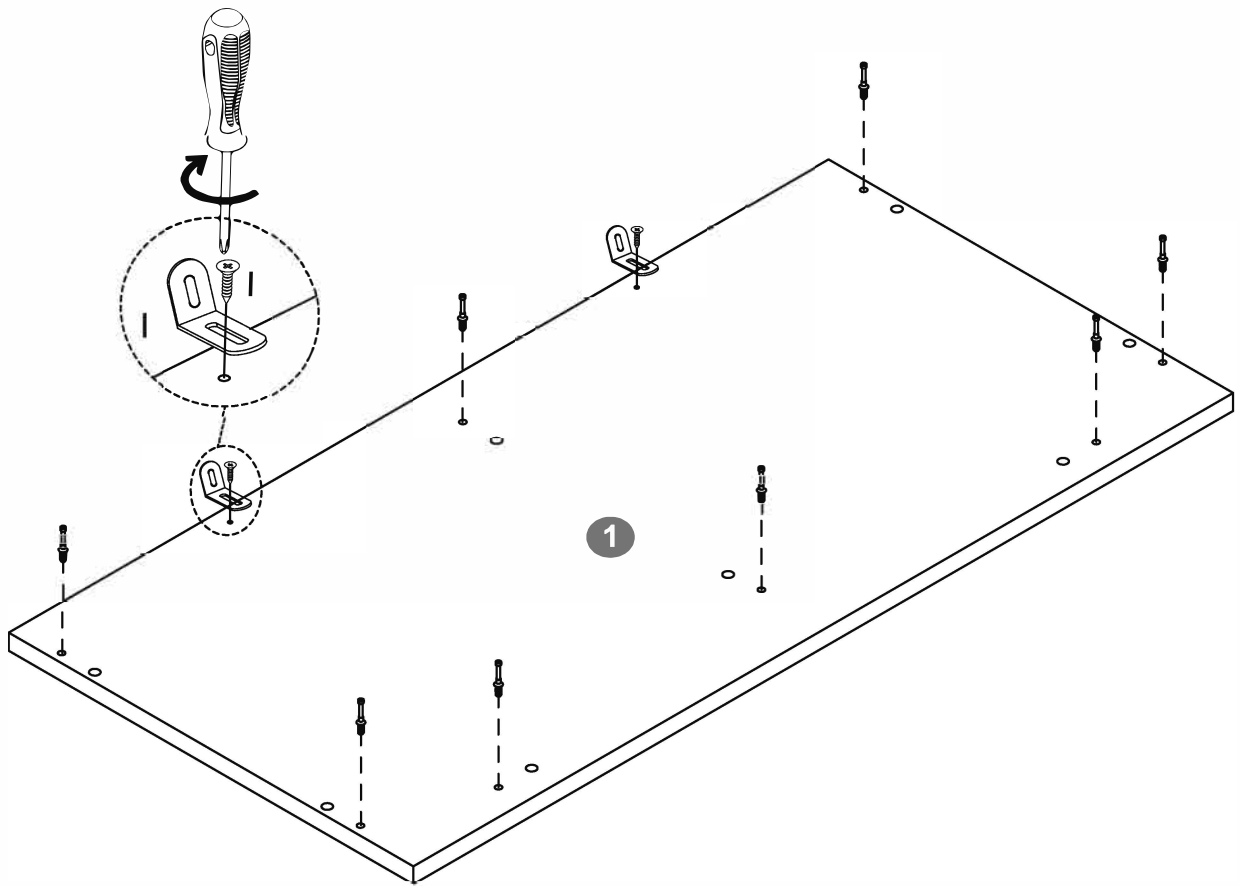
ASSEMBLY INSTRUCTION

DESCRIPTION

3001 R 1

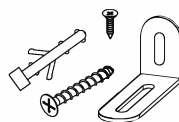
NOOSA 6 DRAWER TALL CHEST

STEP 10



8X

A



2X

I

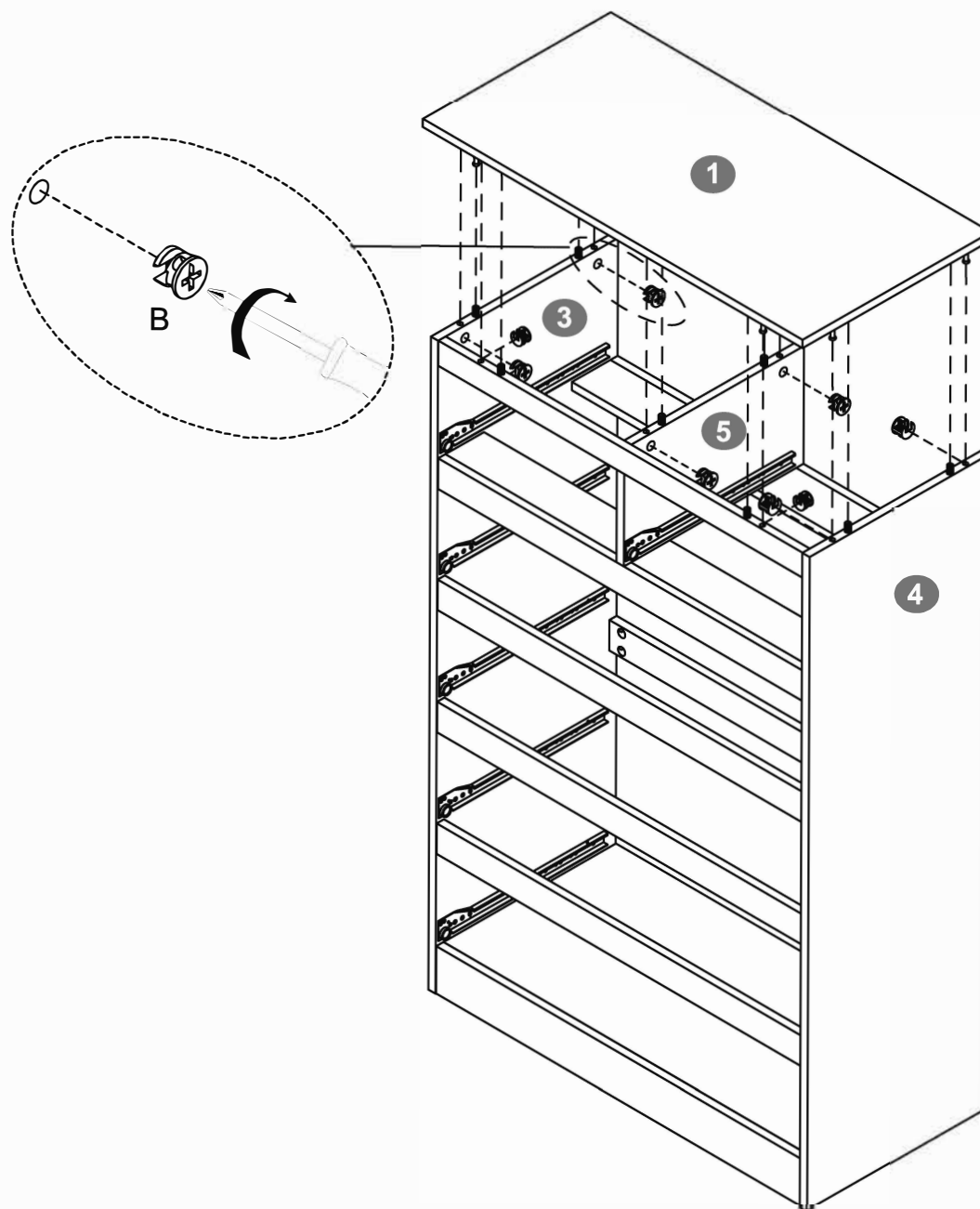
ASSEMBLY INSTRUCTION

DESCRIPTION

3001 R 1

NOOSA 6 DRAWER TALL CHEST

STEP 11



8X
B

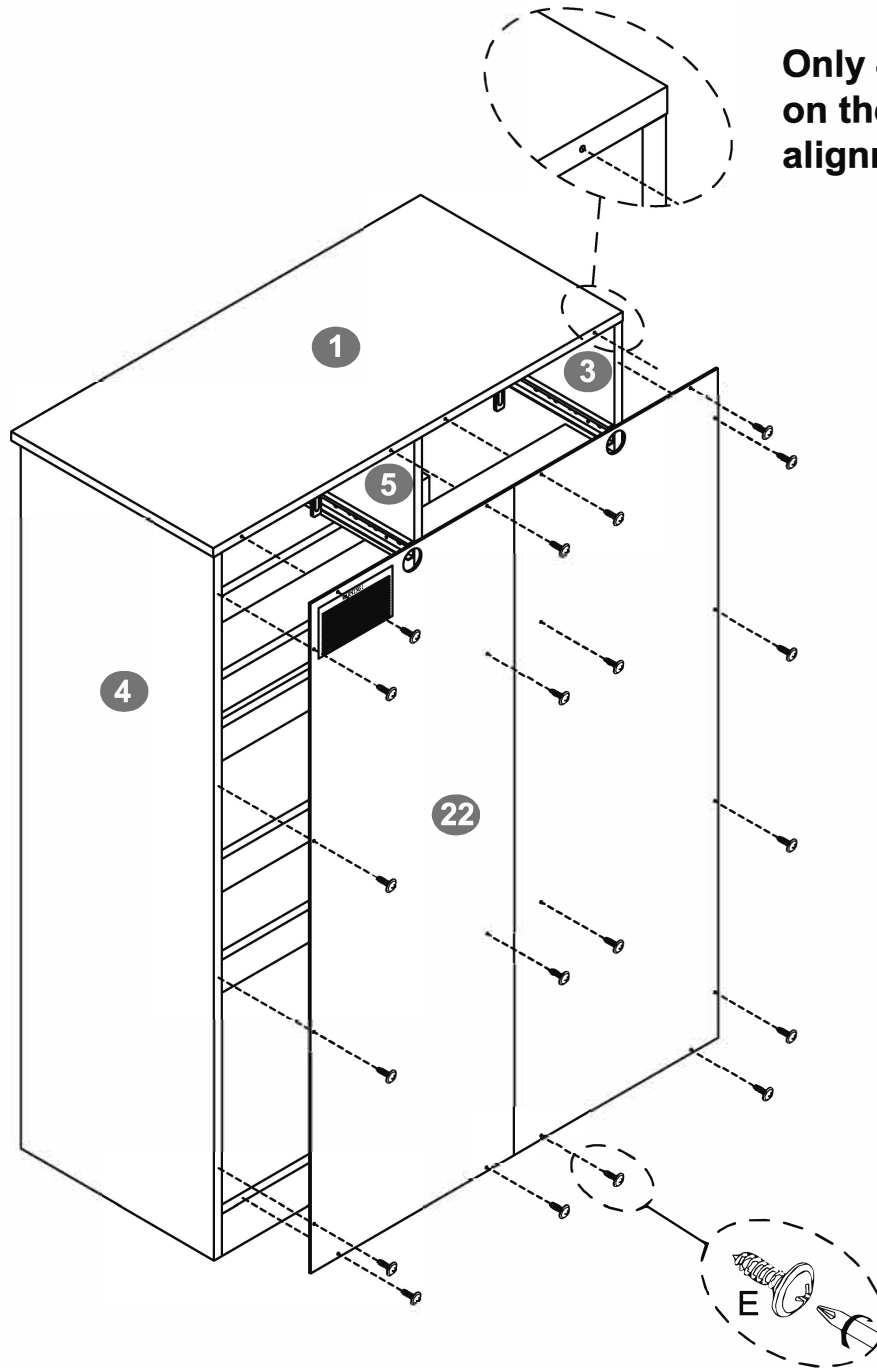
ASSEMBLY INSTRUCTION

DESCRIPTION

3001R1

NOOSA 6 DRAWER TALL CHEST

STEP 12



20X
E

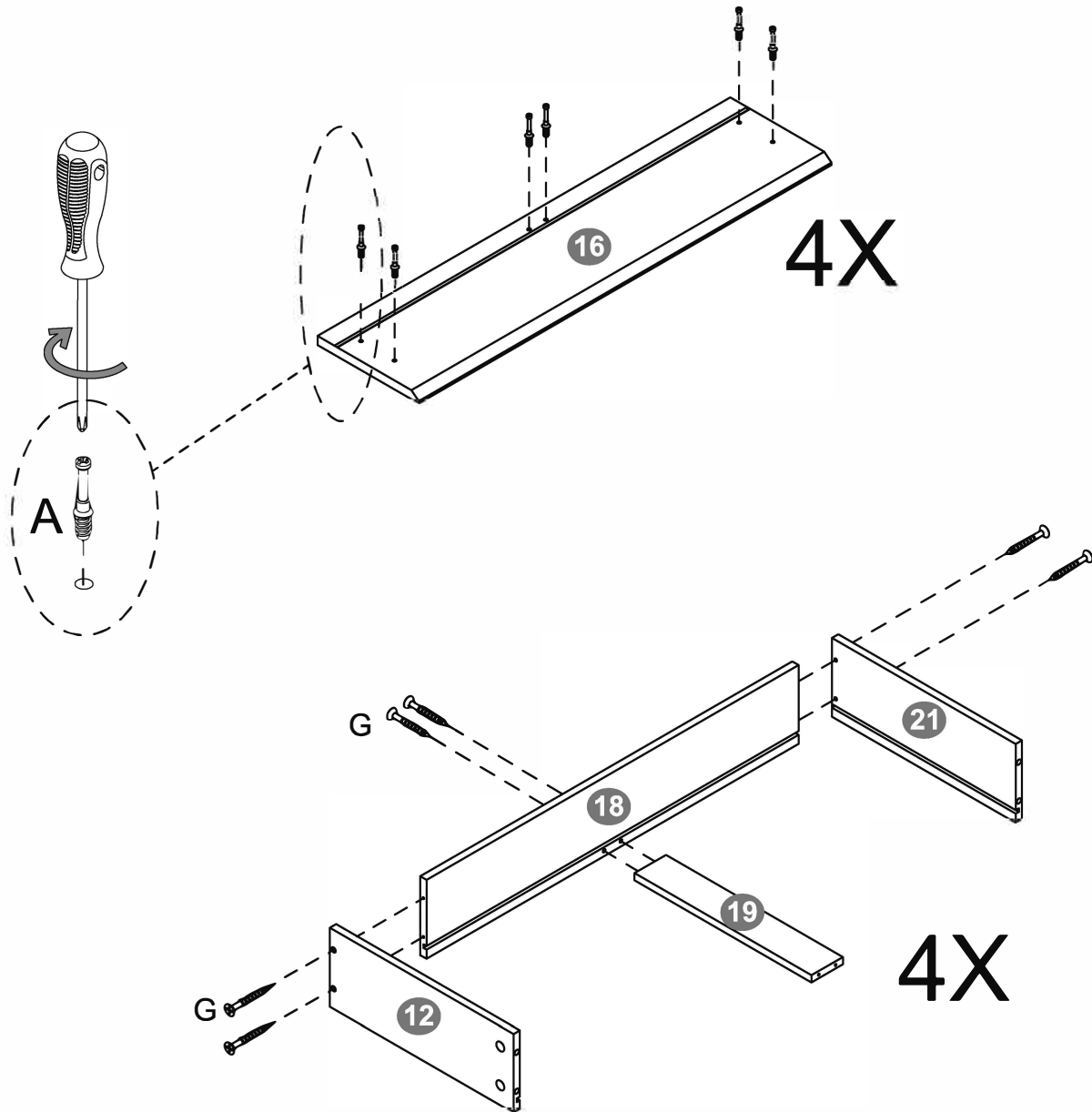
ASSEMBLY INSTRUCTION

DESCRIPTION

3001R1

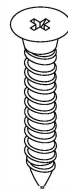
NOOSA 6 DRAWER TALL CHEST

STEP 13



24X

A



24X

G

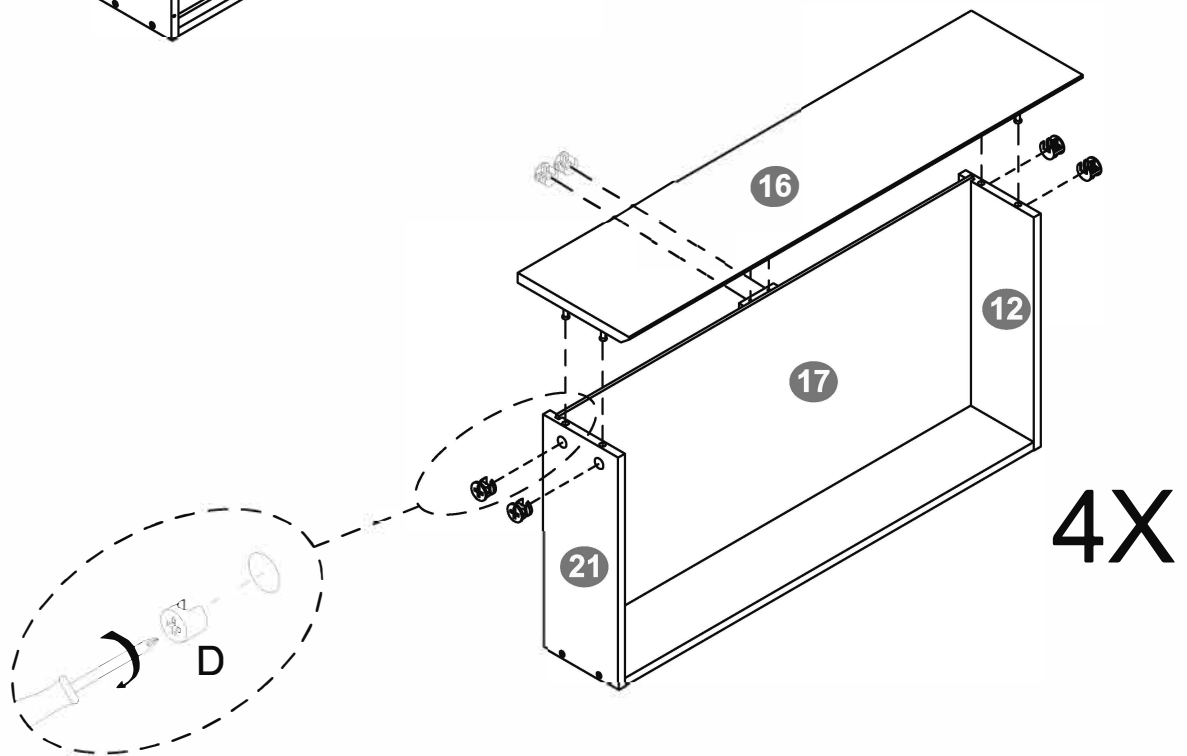
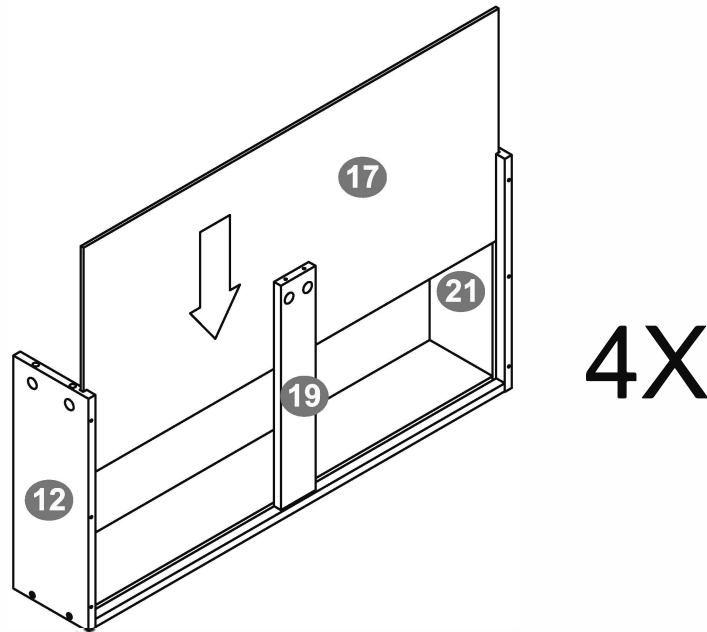
ASSEMBLY INSTRUCTION

DESCRIPTION

3001R1

NOOSA 6 DRAWER TALL CHEST

STEP 14



24X

D

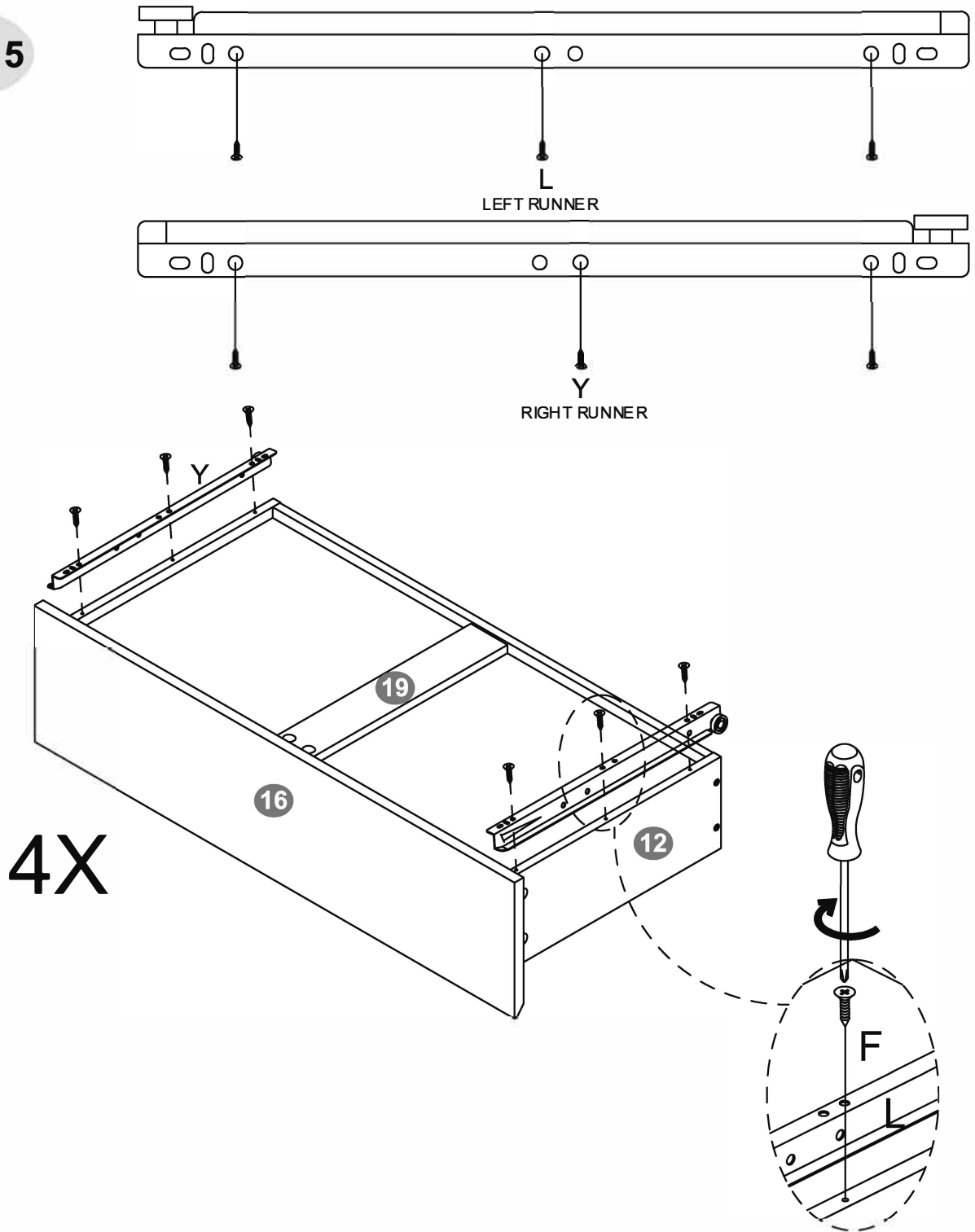
ASSEMBLY INSTRUCTION

DESCRIPTION

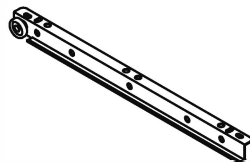
3001R1

NOOSA 6 DRAWER TALL CHEST

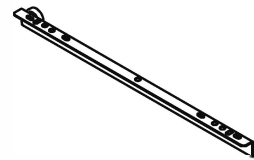
STEP 15



24X
F



4X
Y



4X
L

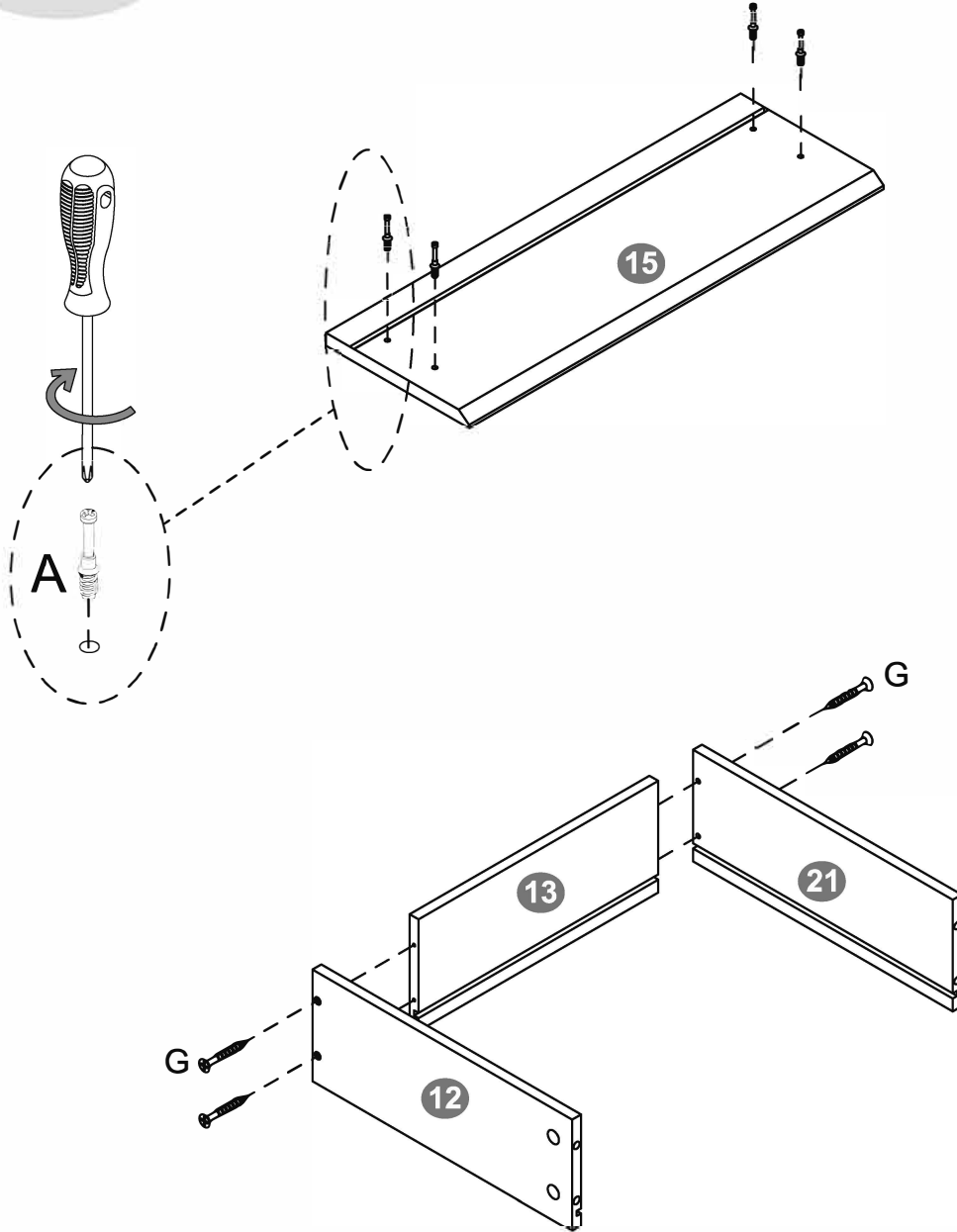
ASSEMBLY INSTRUCTION

DESCRIPTION

3001R1

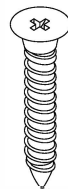
NOOSA 6 DRAWER TALL CHEST

STEP 16



4X

A



4X

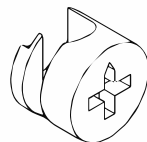
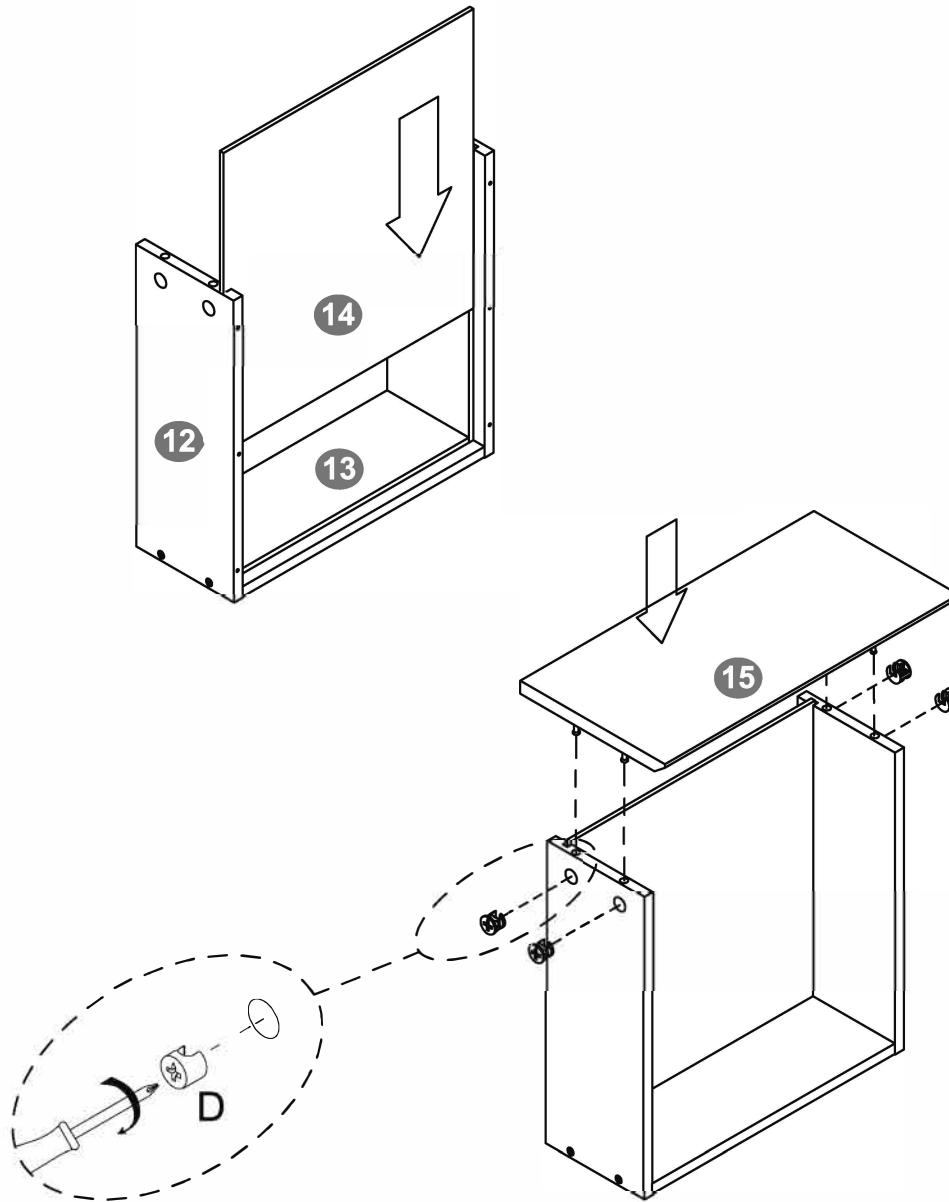
G

ASSEMBLY INSTRUCTION

DESCRIPTION
3001R1

NOOSA 6 DRAWER TALL CHEST

STEP 17



4X
D

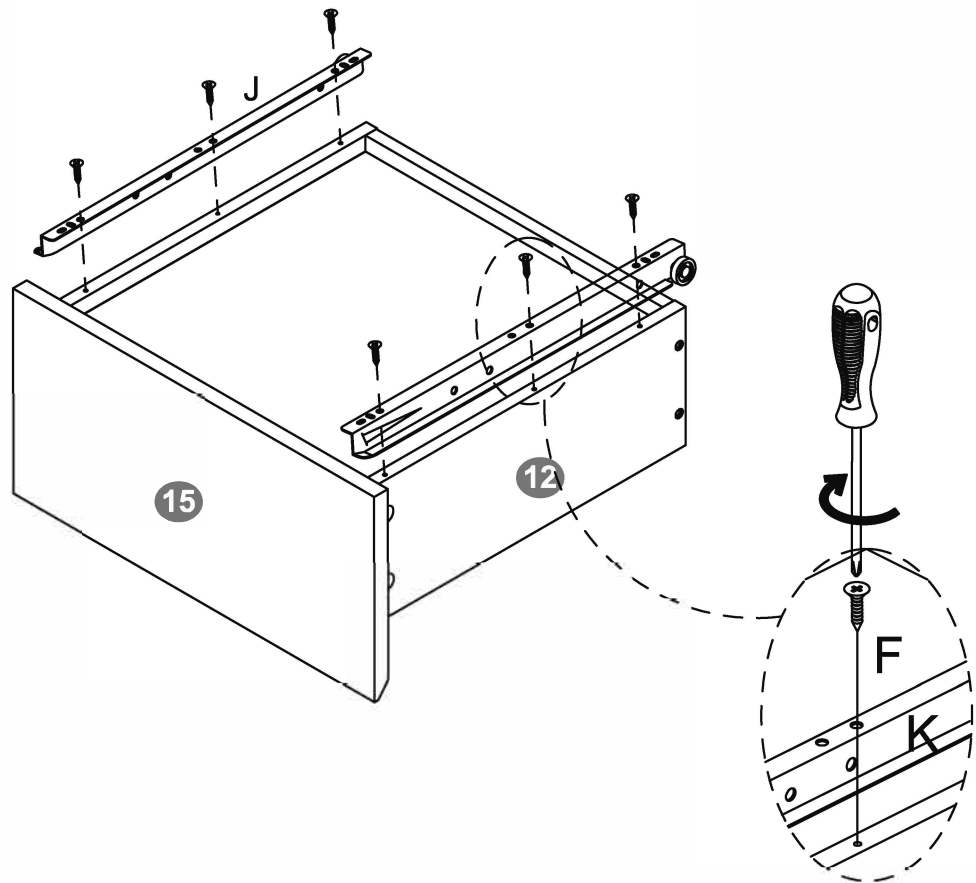
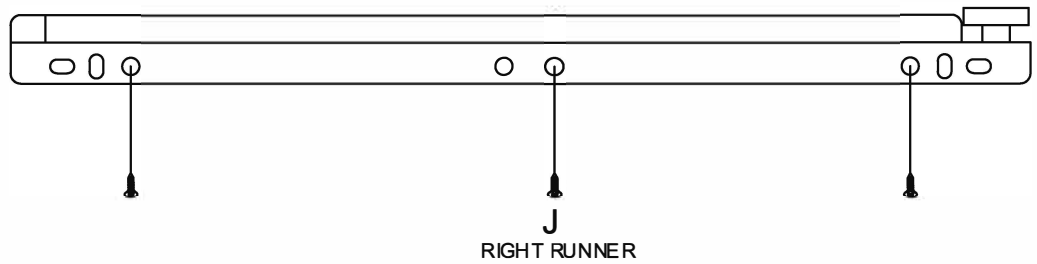
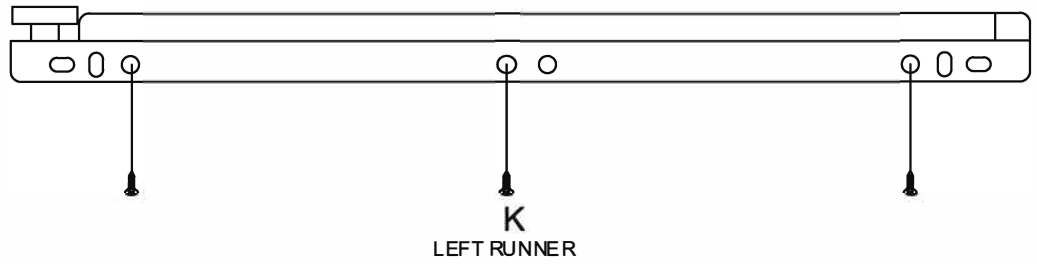
ASSEMBLY INSTRUCTION

DESCRIPTION

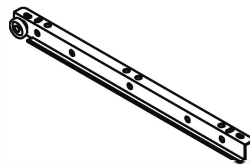
3001R1

NOOSA 6 DRAWER TALL CHEST

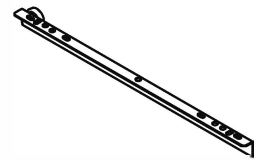
STEP 18



6X
F



1X
J



1X
K

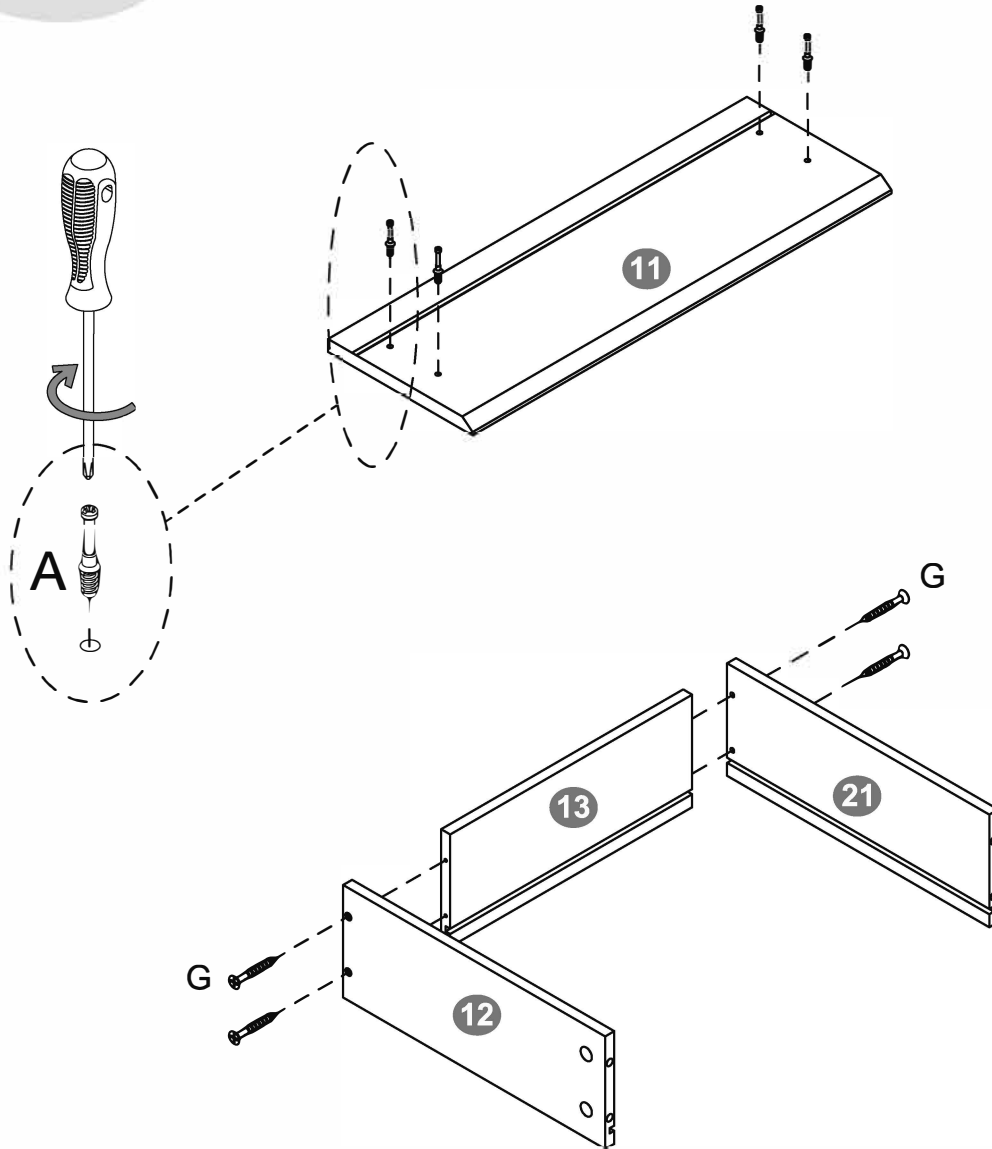
ASSEMBLY INSTRUCTION

DESCRIPTION

3001R1

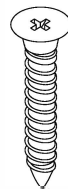
NOOSA 6 DRAWER TALL CHEST

STEP 19



4X

A



4X

G

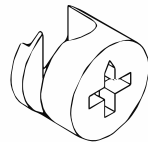
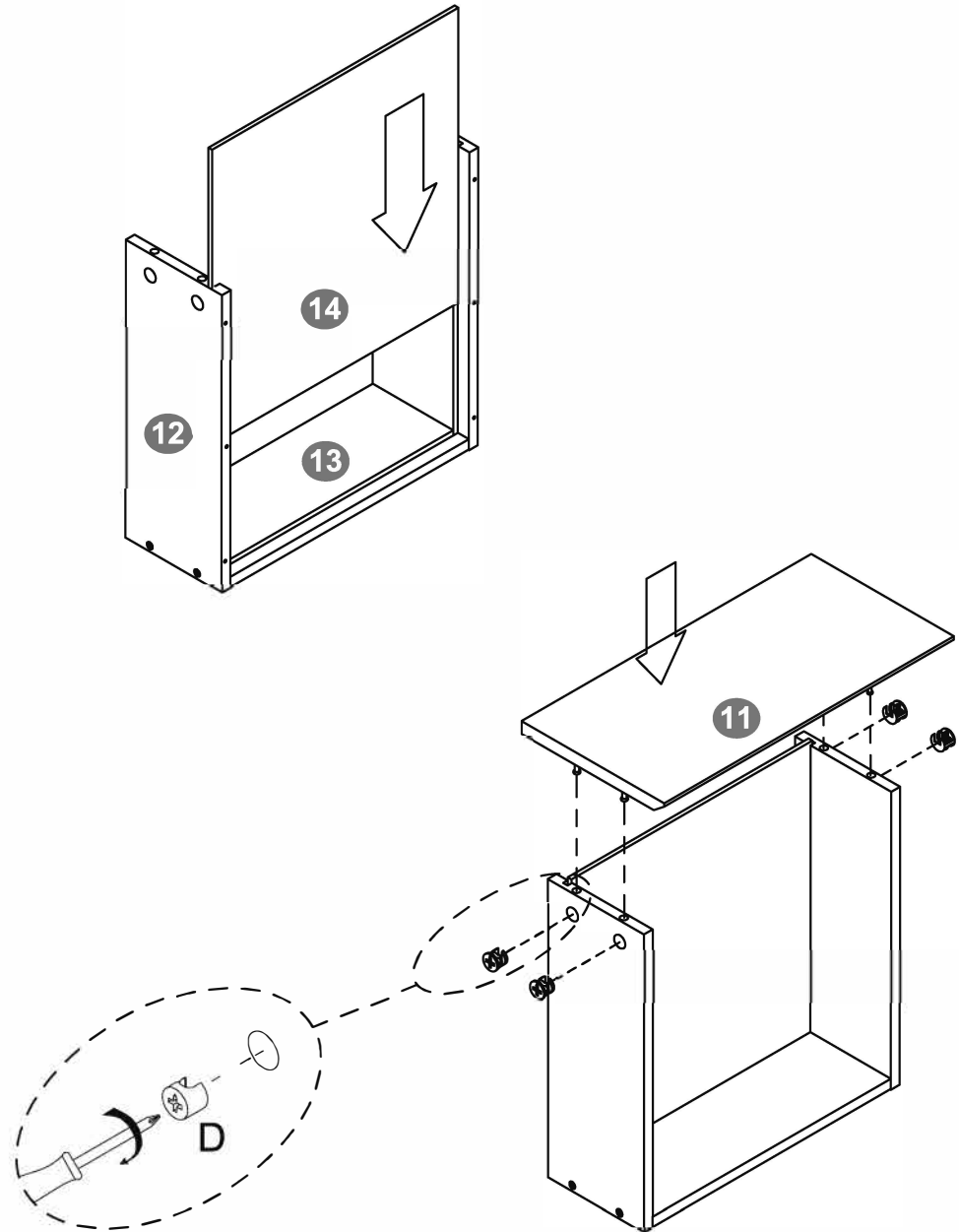
ASSEMBLY INSTRUCTION

DESCRIPTION

3001R1

NOOSA 6 DRAWER TALL CHEST

STEP 20



4X
D

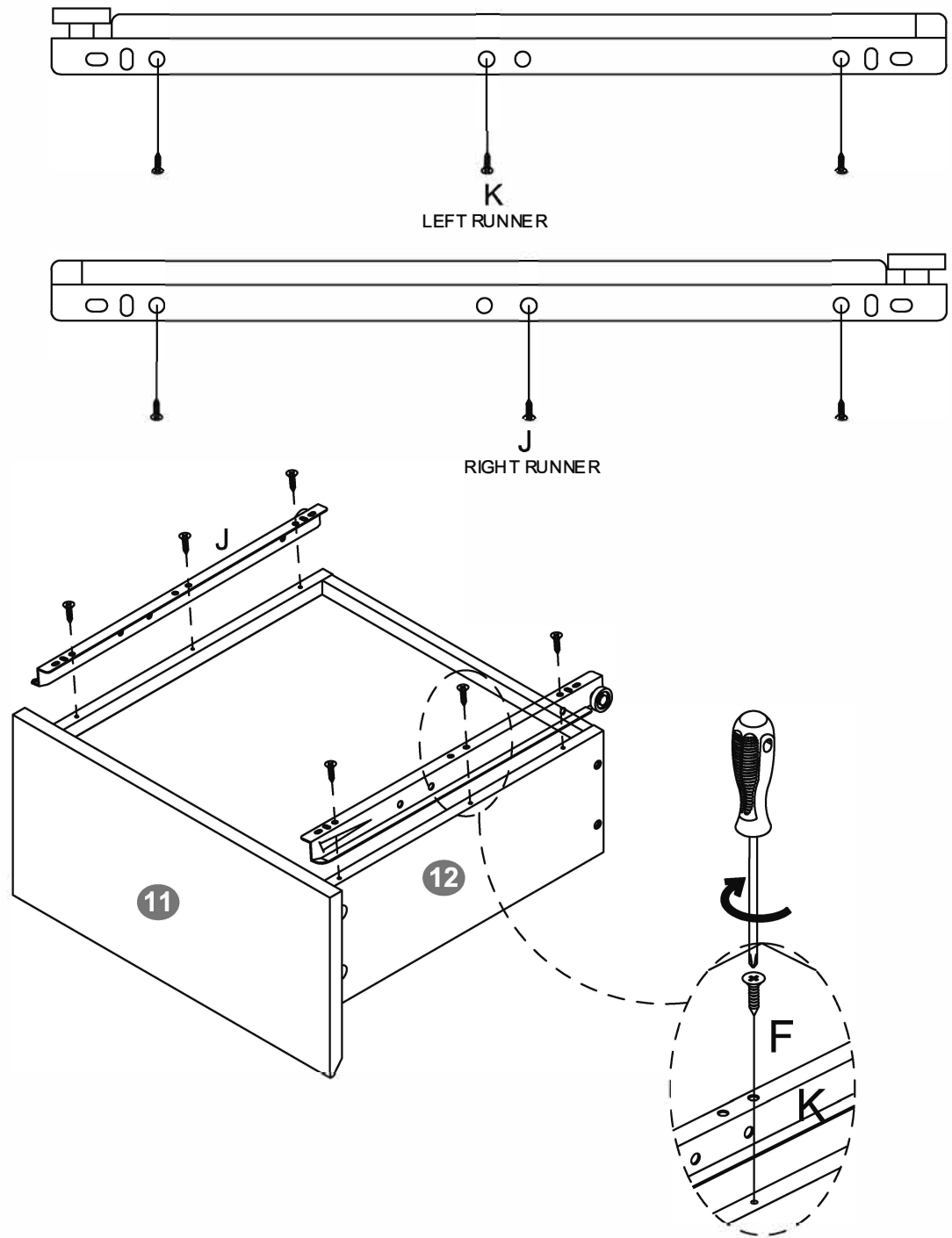
ASSEMBLY INSTRUCTION

DESCRIPTION

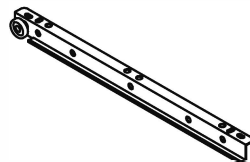
3001R1

NOOSA 6 DRAWER TALL CHEST

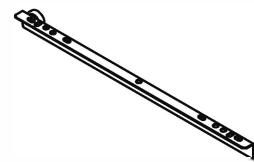
STEP 21



6X
F



1X
J



1X
K

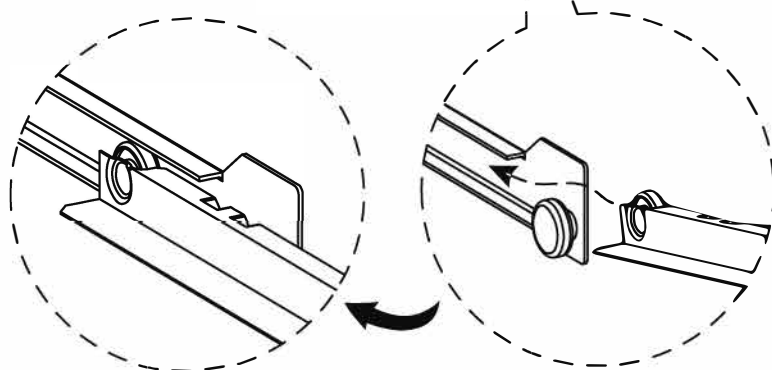
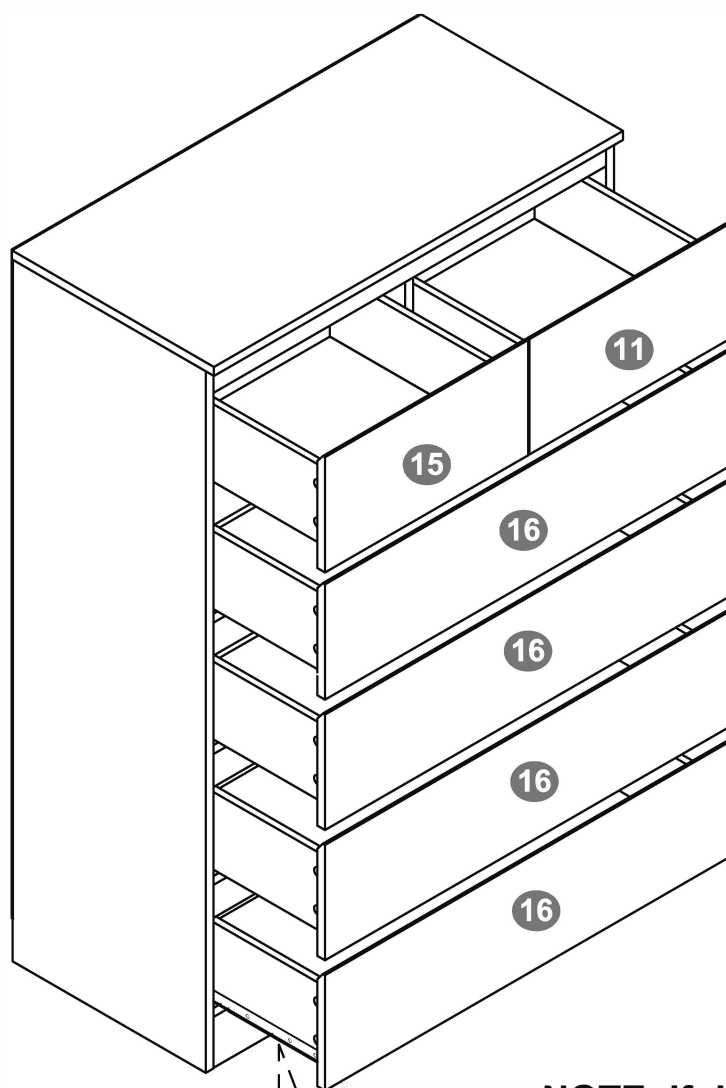
ASSEMBLY INSTRUCTION

DESCRIPTION

3001R1

NOOSA 6 DRAWER TALL CHEST

STEP 22



NOTE: If drawer gets stuck, avoid forcing it open. Instead, please contact our customer care team for assistance.

ASSEMBLY INSTRUCTION

DESCRIPTION

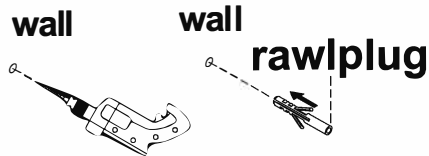
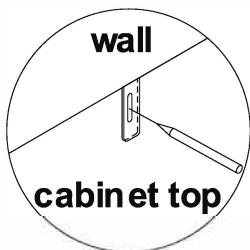
3001R1

NOOSA 6 DRAWER TALL CHEST

STEP 23 FITTING OF ANTI-TIP

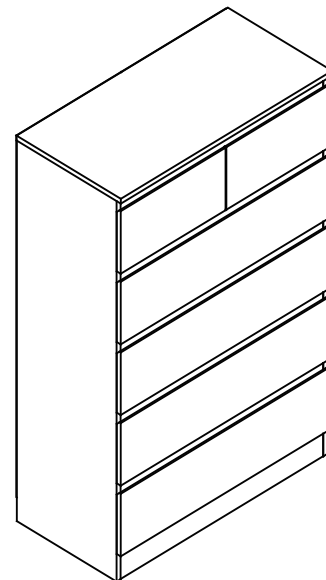
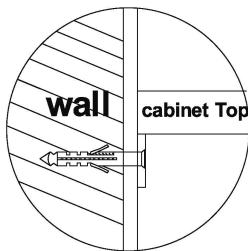
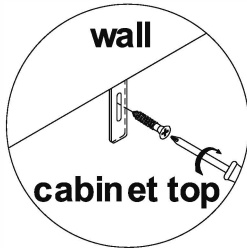
STEP 1:

Make a mark on the wall through the strap.



STEP 2:

Insert screw through strap into hole in wall



Drill a hole in the wall and insert the rawlplug

⚠ WARNING



Children have died from furniture tipover.

- ALWAYS secure this furniture with an anchor device.
- NEVER allow children to stand, climb or hang on drawers, doors, or shelves.
- NEVER open more than one drawer at a time.
- Place heavy items down low.

NEVER put a TV on this furniture 

NOTE: wall fixings are not supplied with this product as different wall materials require different types of fixing devices (such as Rawl plugs on brick work). you must use fixing devices suitable for the type of wall you intend to mount this product. Please ensure that the head of any screw used has a diameter greater than the diameter of the mounting hole on the product and that the fixing is safe and secure before use.

The screw supplied is to fix the bracket to the cabinet.