

ASSEMBLY INSTRUCTION

DESCRIPTION

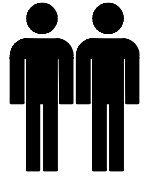
6002R1

NOOSA 2 DRAWER TALL CHEST

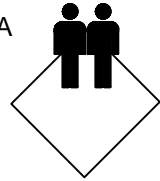
2 hr

APPROXIMATE ASSEMBLY TIME

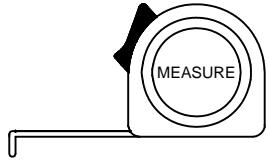
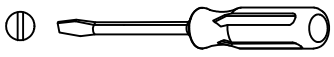
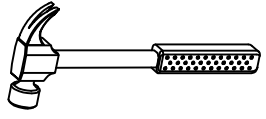
2 PERSON ASSEMBLY



FLOORAREA
2MX1.6M

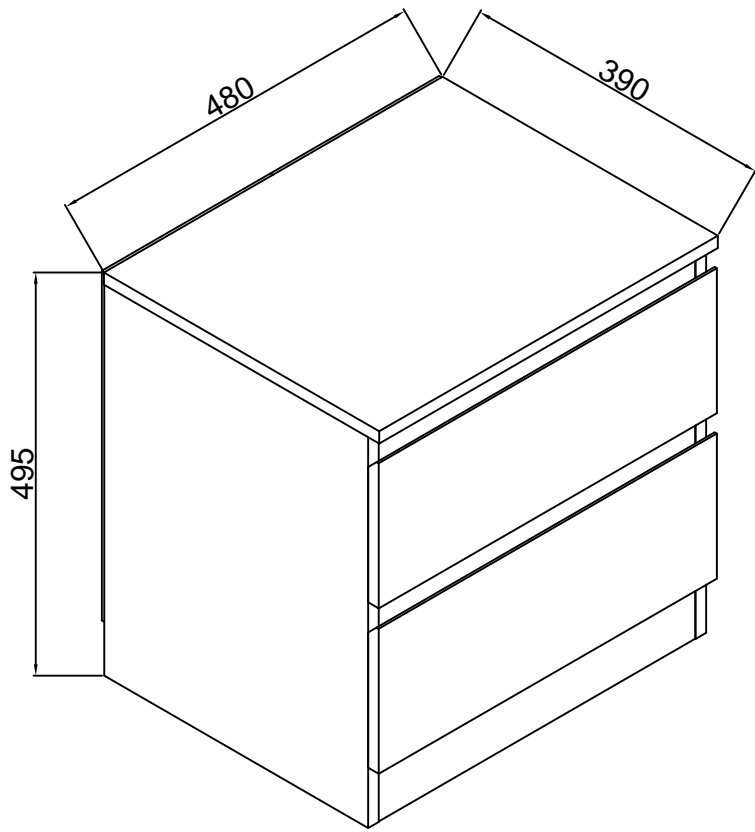


REQUIRED ASSEMBLY SOACE



REQUIRED ASSEMBLY TOOLS

ASSEMBLED DIMENSIONS



ASSEMBLY INSTRUCTION

DESCRIPTION

6002R1

NOOSA 2 DRAWER TALL CHEST



WARNING : ENSURE THE WALL STRAP IS ATTACHED TO AVOID SERIOUS INJURY OR DEATH.

To avoid any serious or fatal injury, a wall strap has been provided with this product to prevent toppling. Always secure this product with an anchor device to the wall or suitable surface. Wall fixing hardware are not included since different surface materials require different attachments. Please seek professional advice if you are in doubt of what fixing device to use.

Your product has been provided with a permanent safety label that should never be removed for safety reasons.

⚠ WARNING

--	--

Children have died from furniture tipover.

- ALWAYS secure this furniture with an anchor device.
- NEVER allow children to stand, climb or hang on drawers, doors, or shelves.
- NEVER open more than one drawer at a time.
- Place heavy items down low.

NEVER put a TV on this furniture

For more information please visit www.productsafety.gov.au

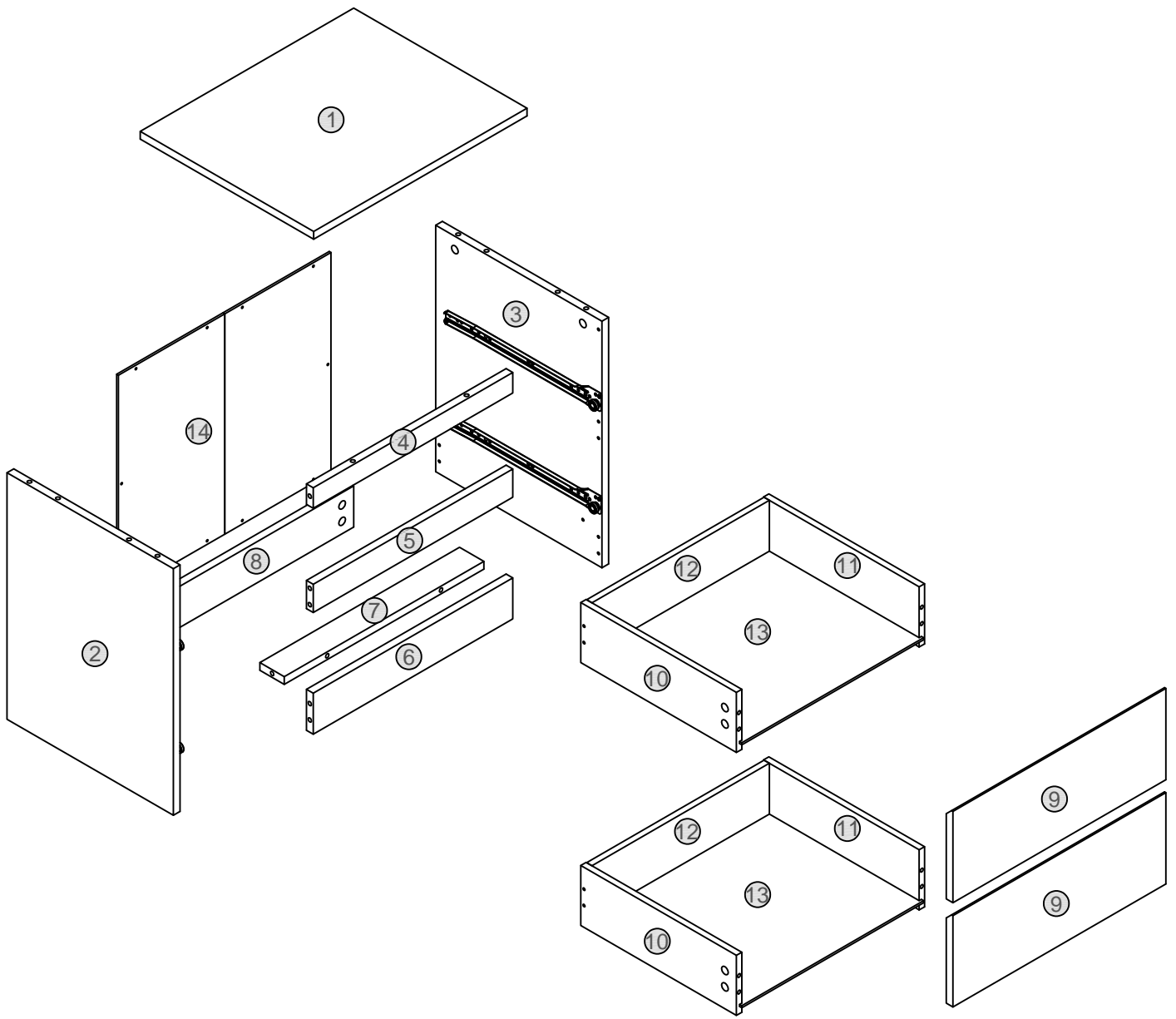
ASSEMBLY INSTRUCTION

DESCRIPTION

6002R1

NOOSA 2 DRAWER TALL CHEST

PARTS LIST



NO.PARTS LIST

NO.PARTS LIST	QTY
(1) Part1	1
(2) Part2	1
(3) Part3	1
(4) Part4	1
(5) Parts	1
(6) Part6	1
(7) Part7	1

NO.PARTS LIST

NO.PARTS LIST	QTY
(8) Part8	1
(9) Part9	2
(10) Part10	2
(11) Part11	2
(12) Part12	2
(13) Part13	2
(14) Part14	1

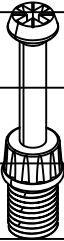
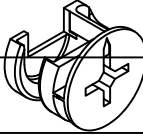

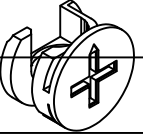
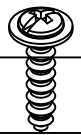
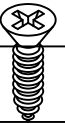
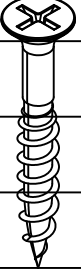
ASSEMBLY INSTRUCTION

DESCRIPTION

6002R1

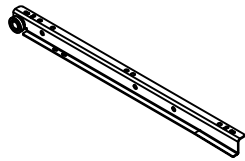
NOOSA 2 DRAWER TALL CHEST

HARDWARE LIST

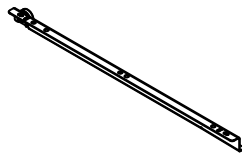
							7cm
							6cm
							5cm
							4cm
							3cm
							2cm
							1cm
							0cm
							
32X	24X	4X	8X	10X	12X	8X	
M7.5m/m	Dia:15x11.5m/m	Dia:8x30m/m	Dia:15x9.5m/m	Dia:3x16m/m	Dia:3x14m/m	Dia:3.5x35m/m	
A	B	C	D	E	F	G	
CAM-BOLT	CAM-LOCK	WOOD DOWEL	CAM-LOCK	WOOD SCREW	WOOD SCREW	WOOD SCREW	



1X
H
GLUE



2X
Dia:14"
Y
RIGHT RUNNER



2X
Dia:14"
L
LEFT RUNNER

ASSEMBLY INSTRUCTION

DESCRIPTION

6002R1

NOOSA 2 DRAWER TALL CHEST

Top Tips before you start!

1. Please check that all parts are present before you start the assembly of your furniture, as once assembled, the furniture is exempt from our home approval policy.
2. For ease and speed of assembly, we recommend that before you commence each step of the assembly, that you identify all the parts required for that step.
3. For larger items, please ensure that you have sufficient space and people (as indicated on page 1) to assemble your product safely.
4. We recommend that, where possible, all items are assembled near to the area in which they will be placed in use, to avoid moving the product unnecessarily once assembled.
5. For the protection of your furniture, particularly items of high gloss finish, we recommend that the product is placed on a protected surface during assembly to prevent any damage.
6. During assembly please take care not to over-tighten any fittings, as this may damage the product.

Care and Maintenance of your Furniture

- Please periodically check all fittings and re-tighten as necessary.
- Please do not drag or pull your furniture.
- Wipe occasionally with a soft cloth slightly dampened with water. Then buff with a dry clean soft cloth.
- Never allow any kind of liquid to remain on your furniture. Absorption can cause wood to warp or finishes to de-laminate.
- Please do not sit or stand on this item.

ASSEMBLY INSTRUCTION

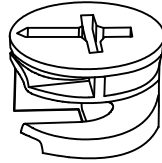
DESCRIPTION

6002R1

NOOSA 2 DRAWER TALL CHEST

SPECIAL TIPS FOR FITTING CAM-LOCKS AND CAM-BOLTS

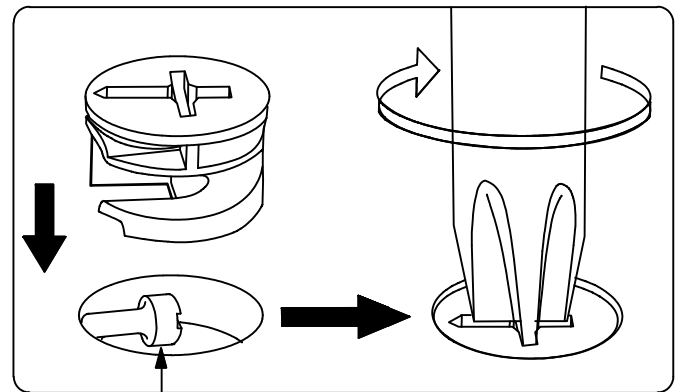
CAM-LOCK



Align with long point of cross

WHEN FITTING CAMS
ENSURE STARTING POSITION IS CORRECT
BEFORE YOU INSERT CONNECTING CAM-BOLTS
TURN CLOCKWISE UNTIL SECURE

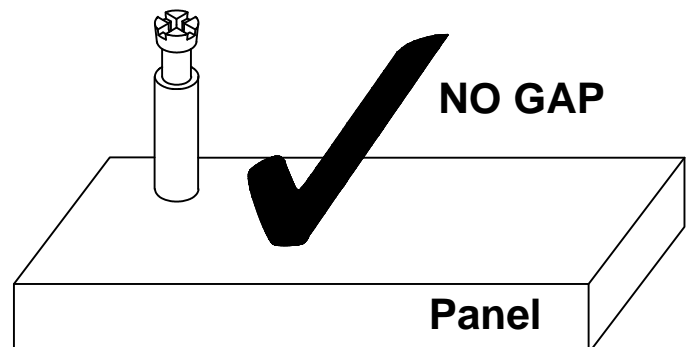
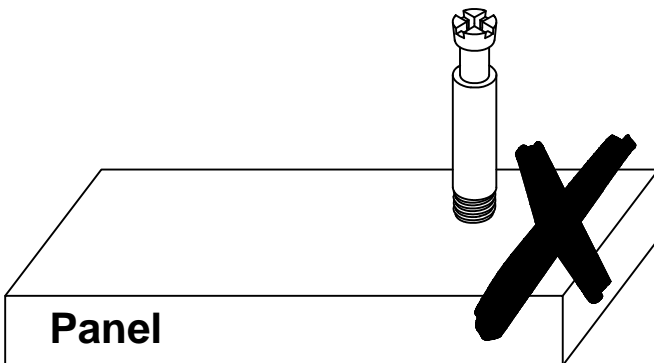
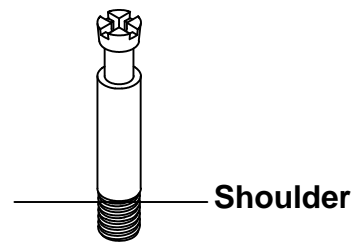
CORRECT **WRONG**



Lock head needs to be in centre

CAM-BOLT

Tighten until shoulder is flush with panel. Do not overtighten or undertighten (see example below)



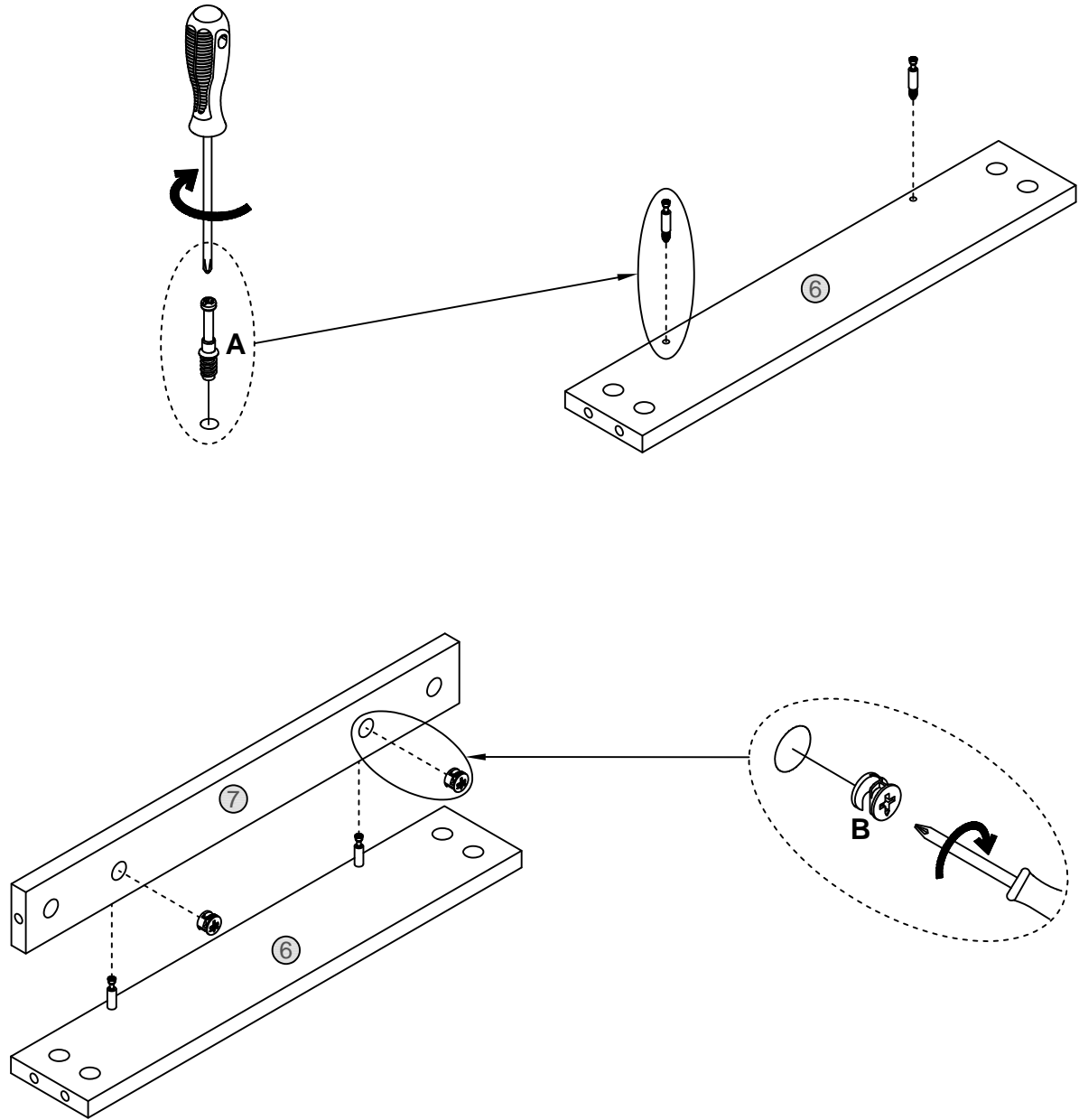
ASSEMBLY INSTRUCTION

DESCRIPTION

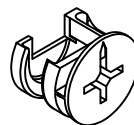
6002R1

NOOSA 2 DRAWER TALL CHEST

STEP 1



2X
A



2X
B

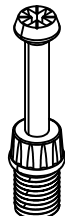
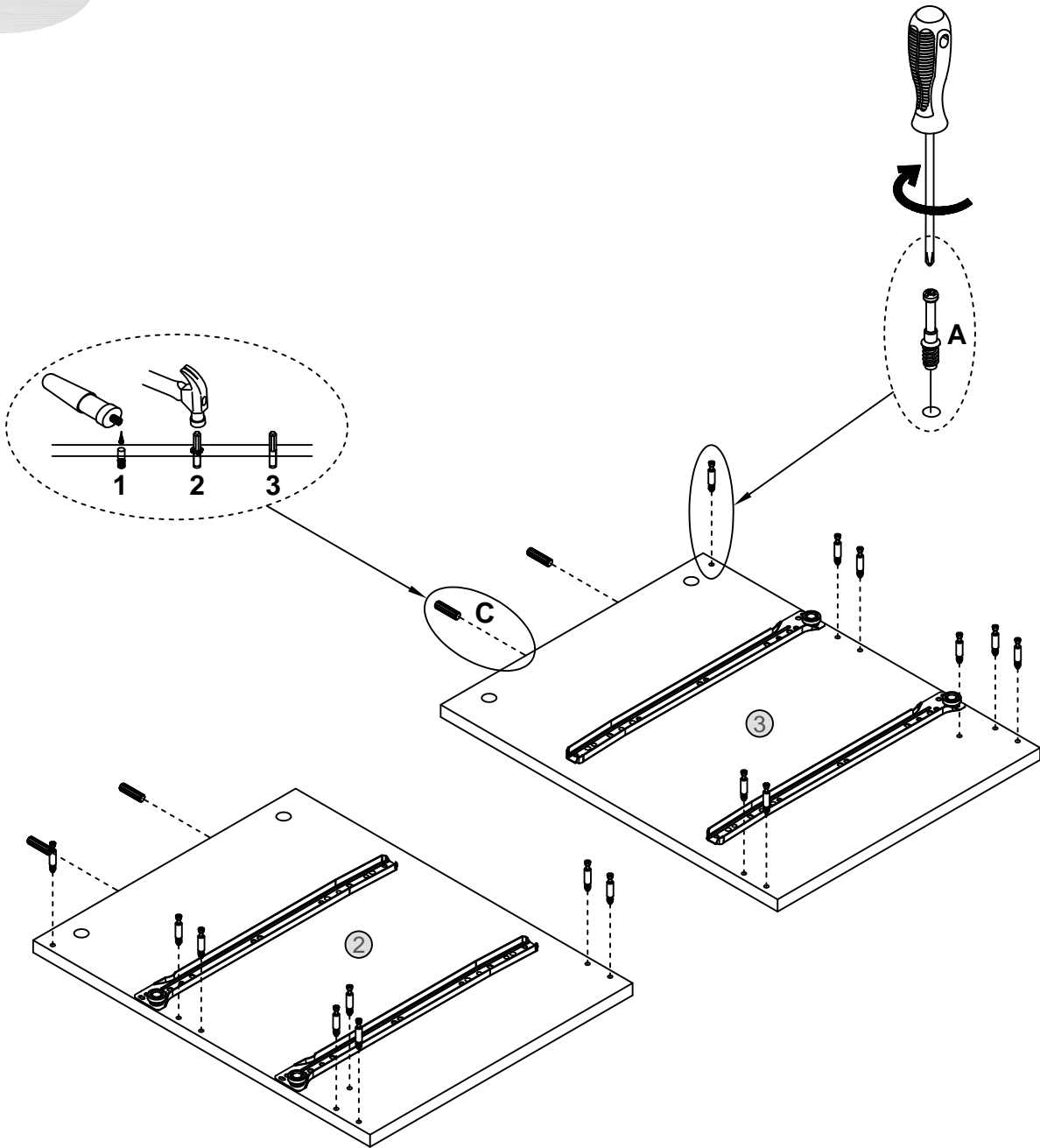
ASSEMBLY INSTRUCTION

DESCRIPTION

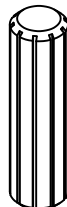
6002R1

NOOSA 2 DRAWER TALL CHEST

STEP 2



16X
A



4X
C

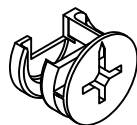
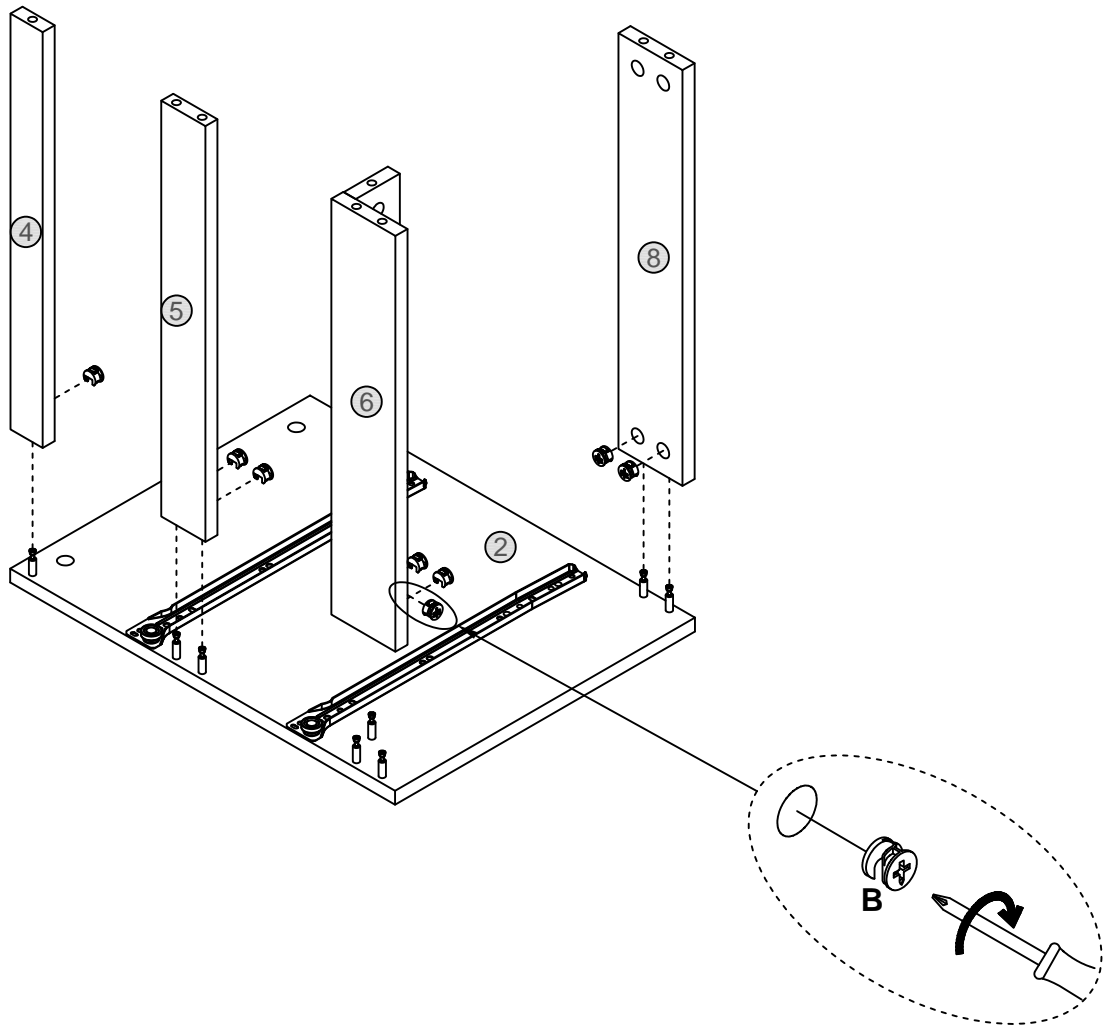
ASSEMBLY INSTRUCTION

DESCRIPTION

6002R1

NOOSA 2 DRAWER TALL CHEST

STEP 3



8X
B

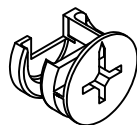
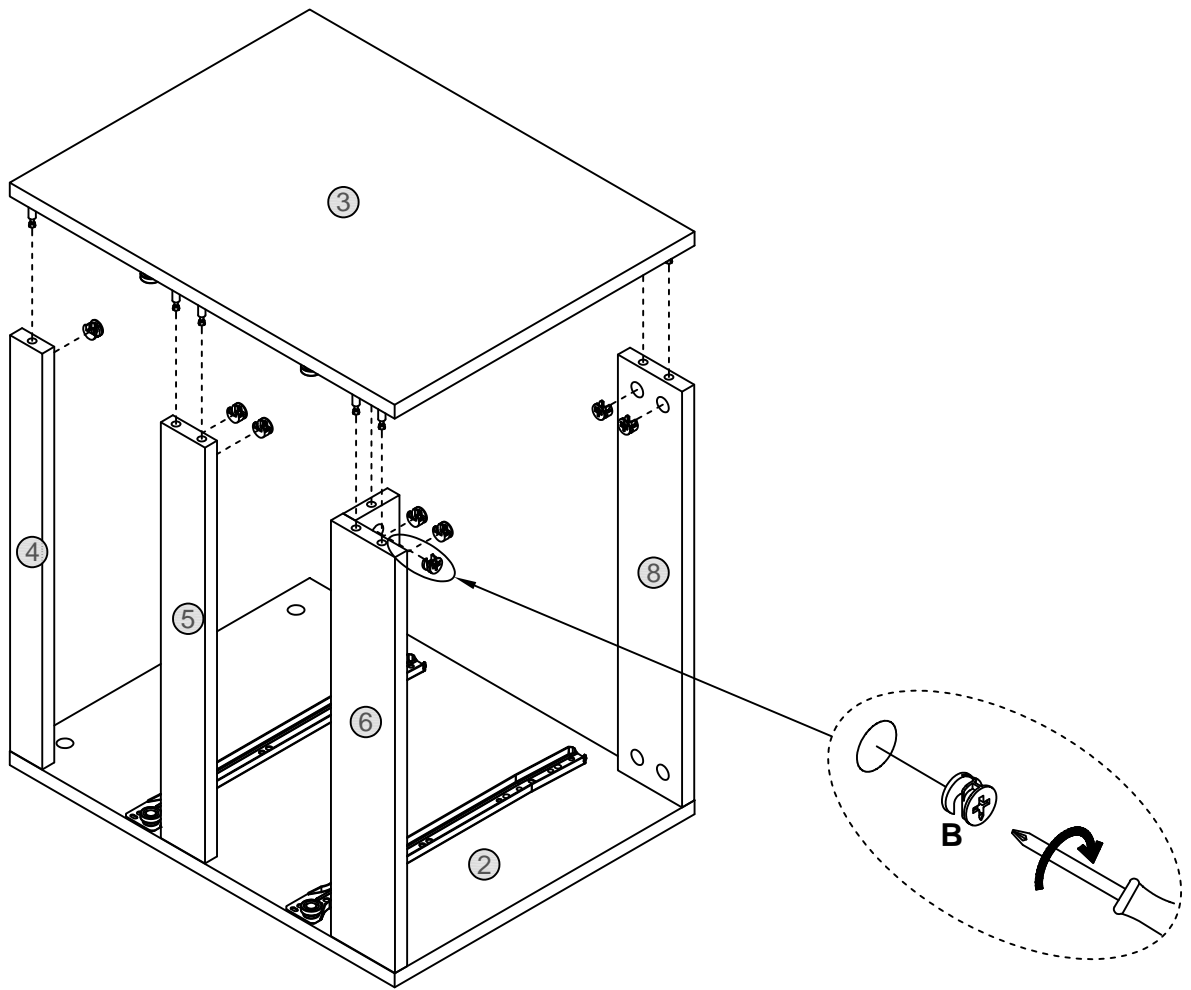
ASSEMBLY INSTRUCTION

DESCRIPTION

6002R1

NOOSA 2 DRAWER TALL CHEST

STEP 4



8X
B

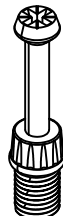
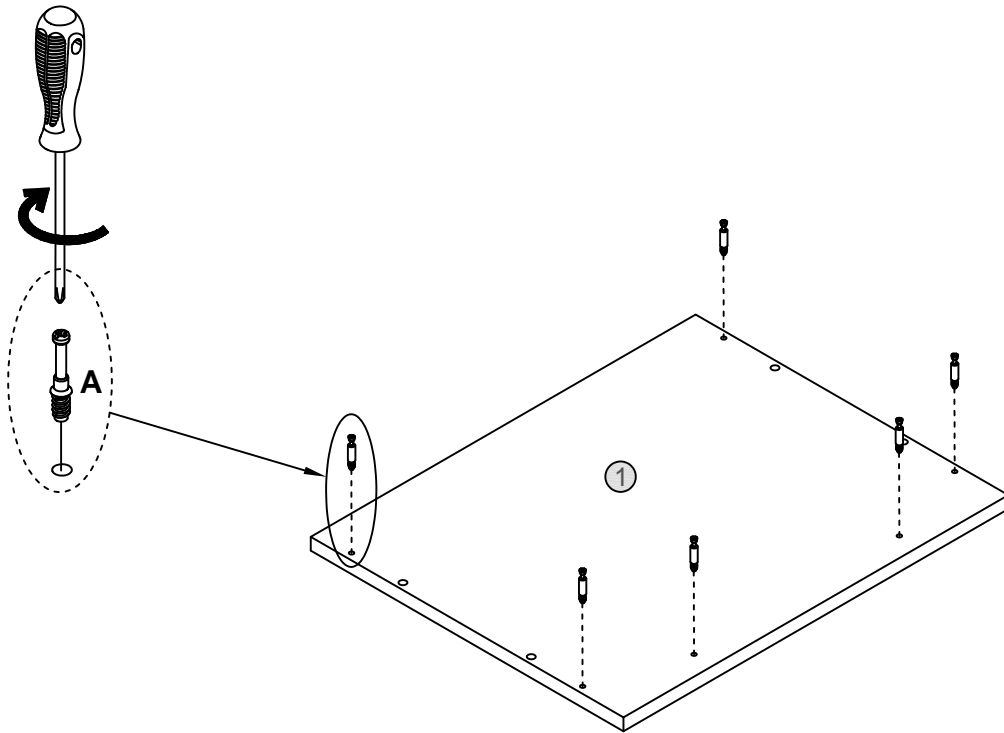
ASSEMBLY INSTRUCTION

DESCRIPTION

6002R1

NOOSA 2 DRAWER TALL CHEST

STEP 5



6X
A

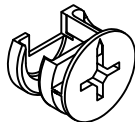
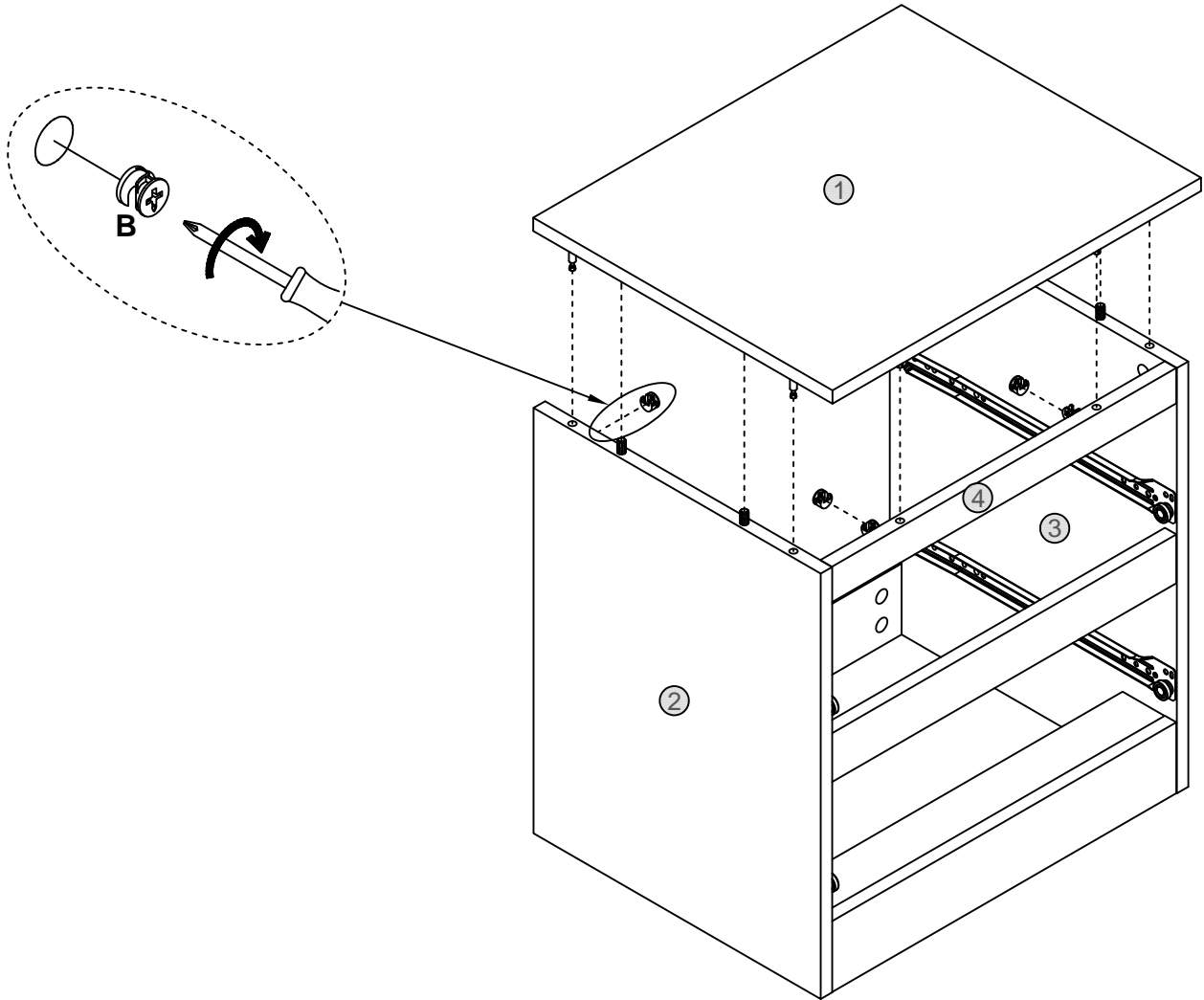
ASSEMBLY INSTRUCTION

DESCRIPTION

6002R1

NOOSA 2 DRAWER TALL CHEST

STEP 6



6X
B

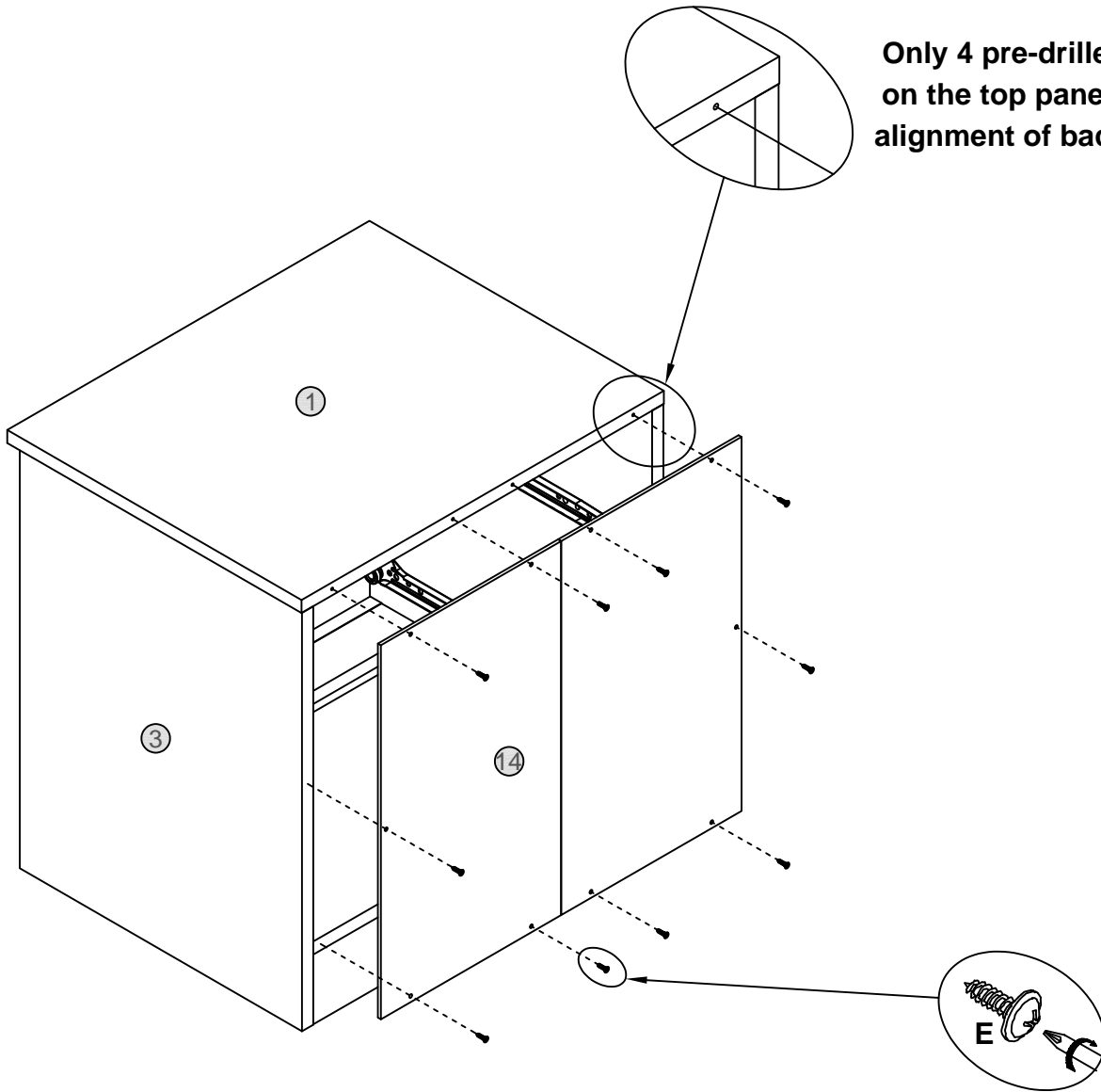
ASSEMBLY INSTRUCTION

DESCRIPTION

6002R1

NOOSA 2 DRAWER TALL CHEST

STEP 7



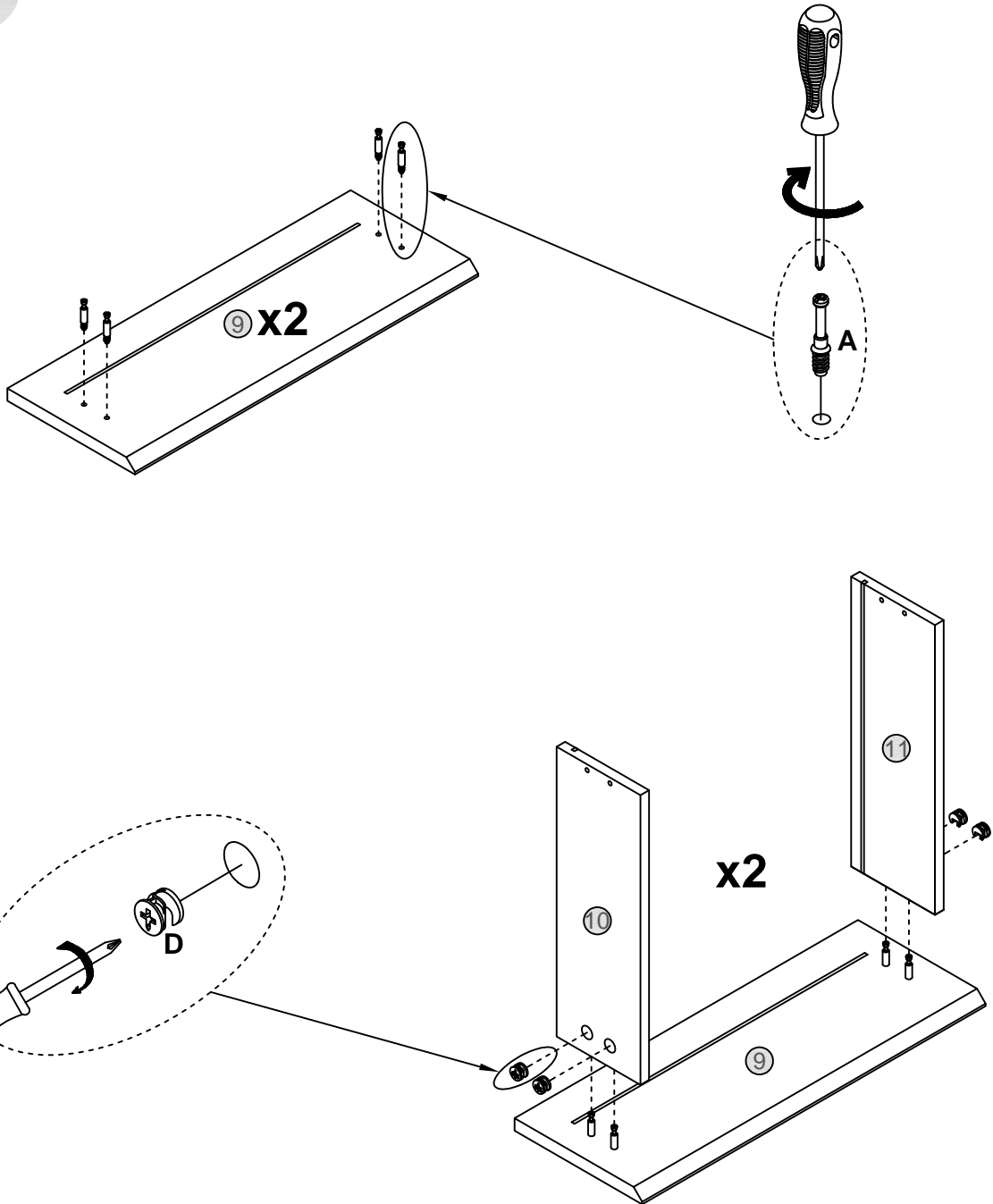
ASSEMBLY INSTRUCTION

DESCRIPTION

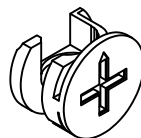
6002R1

NOOSA 2 DRAWER TALL CHEST

STEP 8



8X
A



8X
D

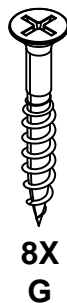
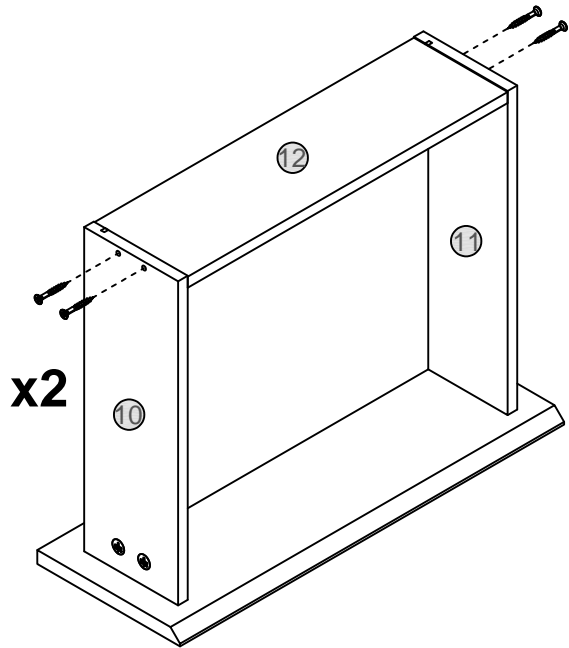
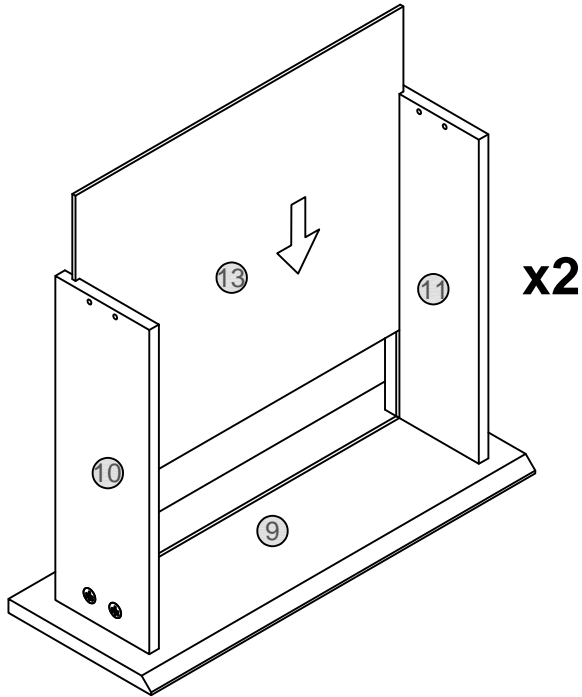
ASSEMBLY INSTRUCTION

DESCRIPTION

6002R1

NOOSA 2 DRAWER TALL CHEST

STEP 9



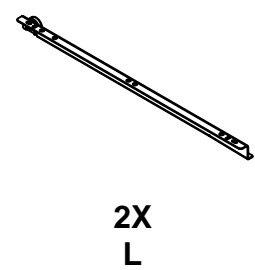
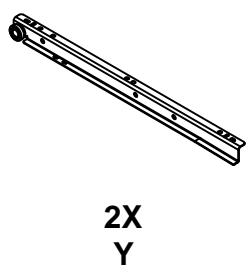
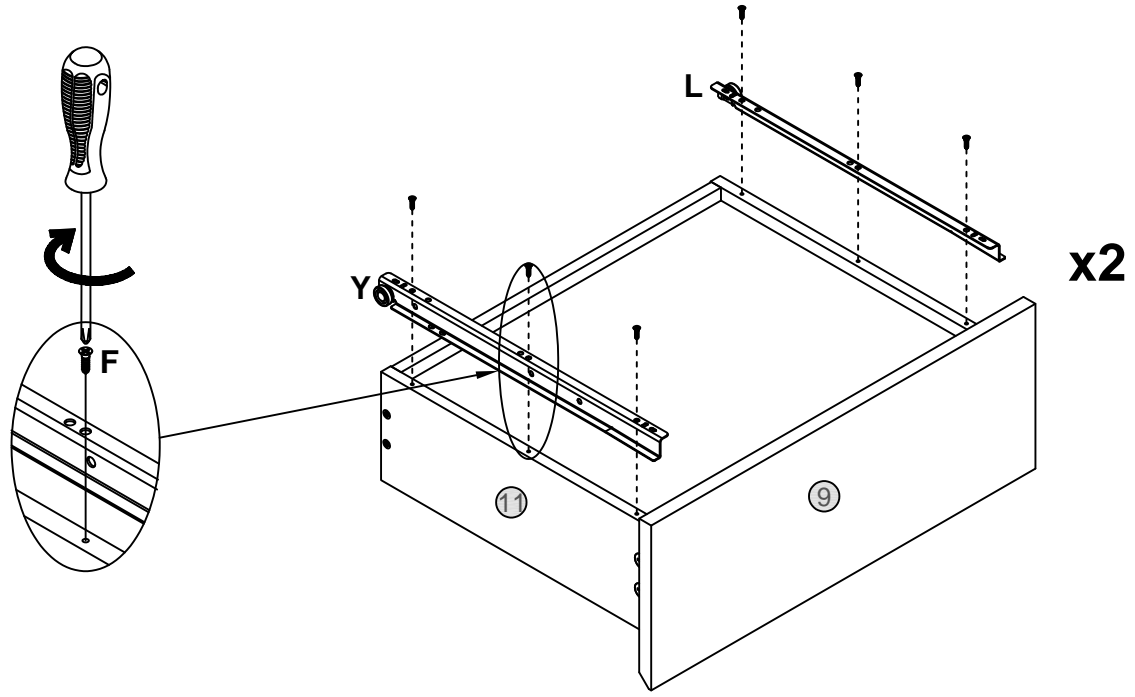
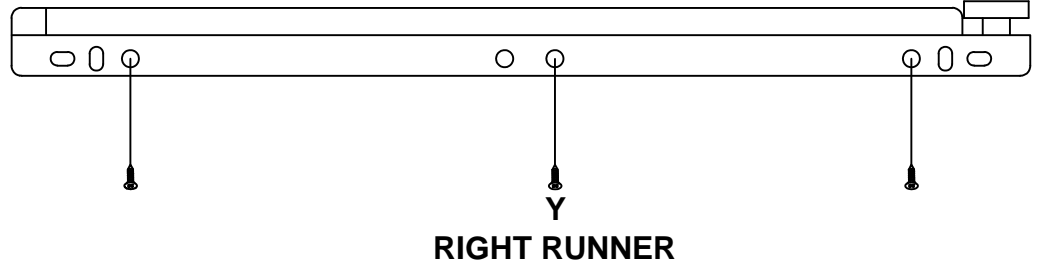
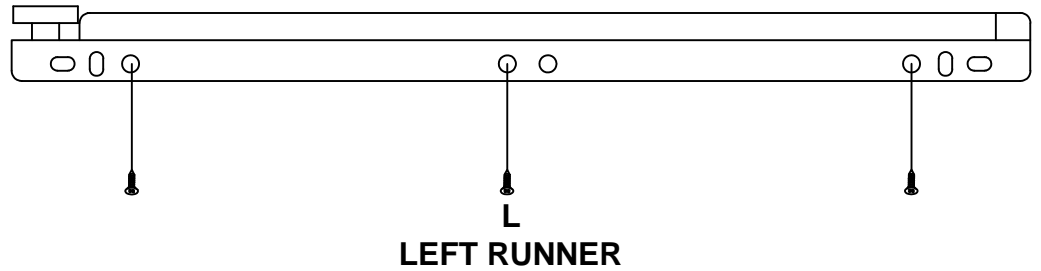
ASSEMBLY INSTRUCTION

DESCRIPTION

6002R1

NOOSA 2 DRAWER TALL CHEST

STEP 10



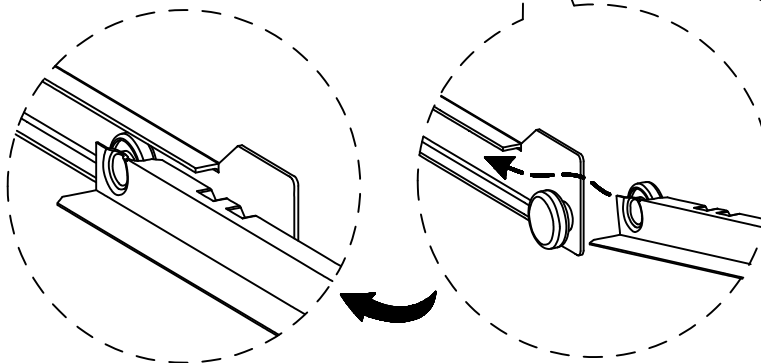
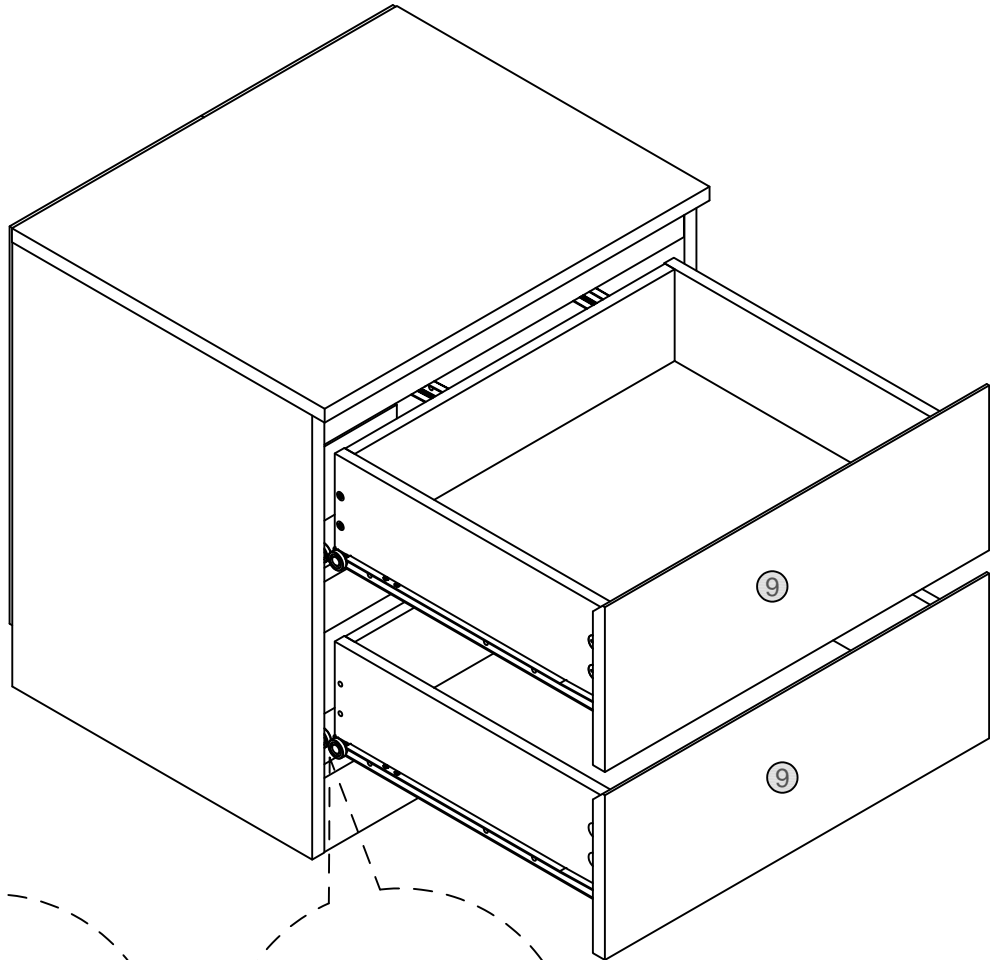
ASSEMBLY INSTRUCTION

DESCRIPTION

6002R1

NOOSA 2 DRAWER TALL CHEST

STEP 11



NOTE: If drawer gets stuck, avoid forcing it open. Instead, please contact our customer care team for assistance.

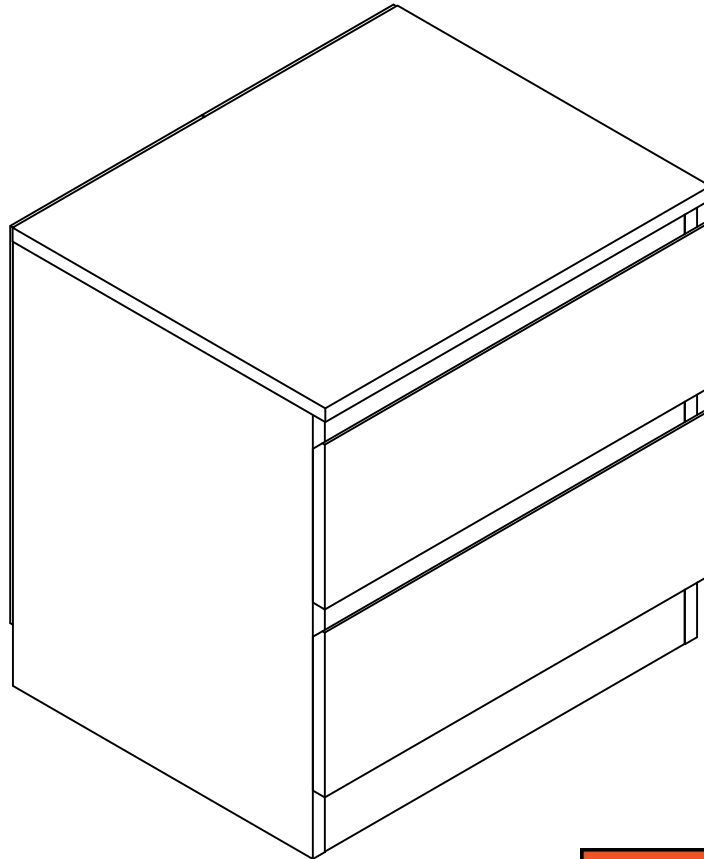
ASSEMBLY INSTRUCTION

DESCRIPTION

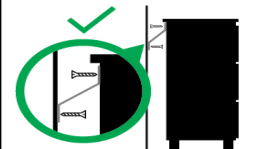
6002R1

NOOSA 2 DRAWER TALL CHEST

STEP 12



⚠ WARNING



Children have died from furniture tipover.

- ALWAYS secure this furniture with an anchor device.
- NEVER allow children to stand, climb or hang on drawers, doors, or shelves.
- NEVER open more than one drawer at a time.
- Place heavy items down low.

NEVER put a TV on this furniture

