

# ASSEMBLY INSTRUCTION

## DESCRIPTION

9302

## ALLURE BEDSIDE TABLE

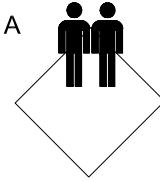
# 40min

APPROXIMATE ASSEMBLY TIME

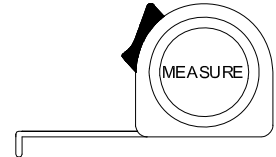
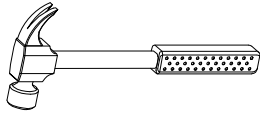
2 PERSON ASSEMBLY



FLOOR AREA  
1.6MX1M

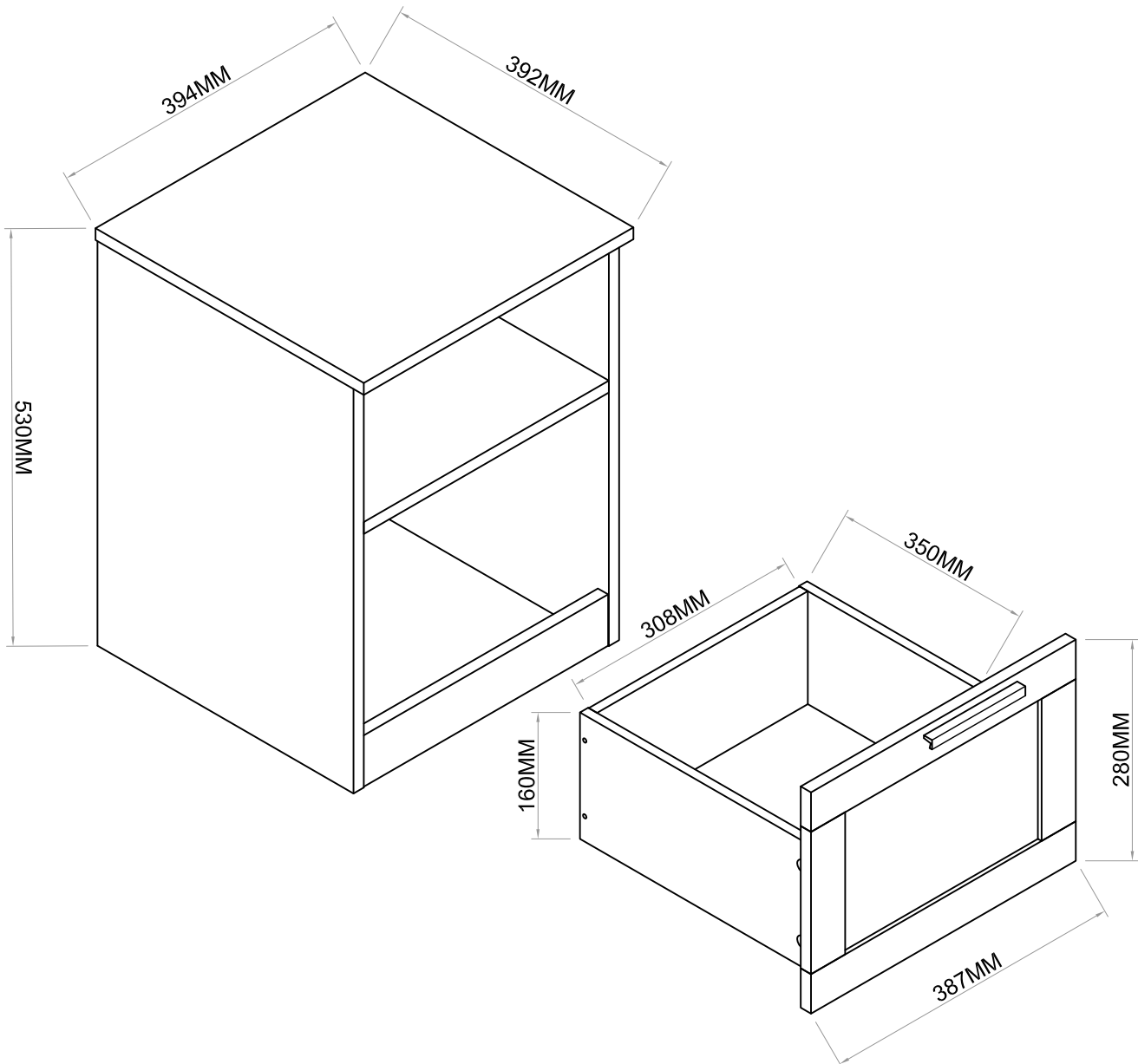


REQUIRED ASSEMBLY SPACE



REQUIRED ASSEMBLY TOOLS

ASSEMBLED DIMENSIONS



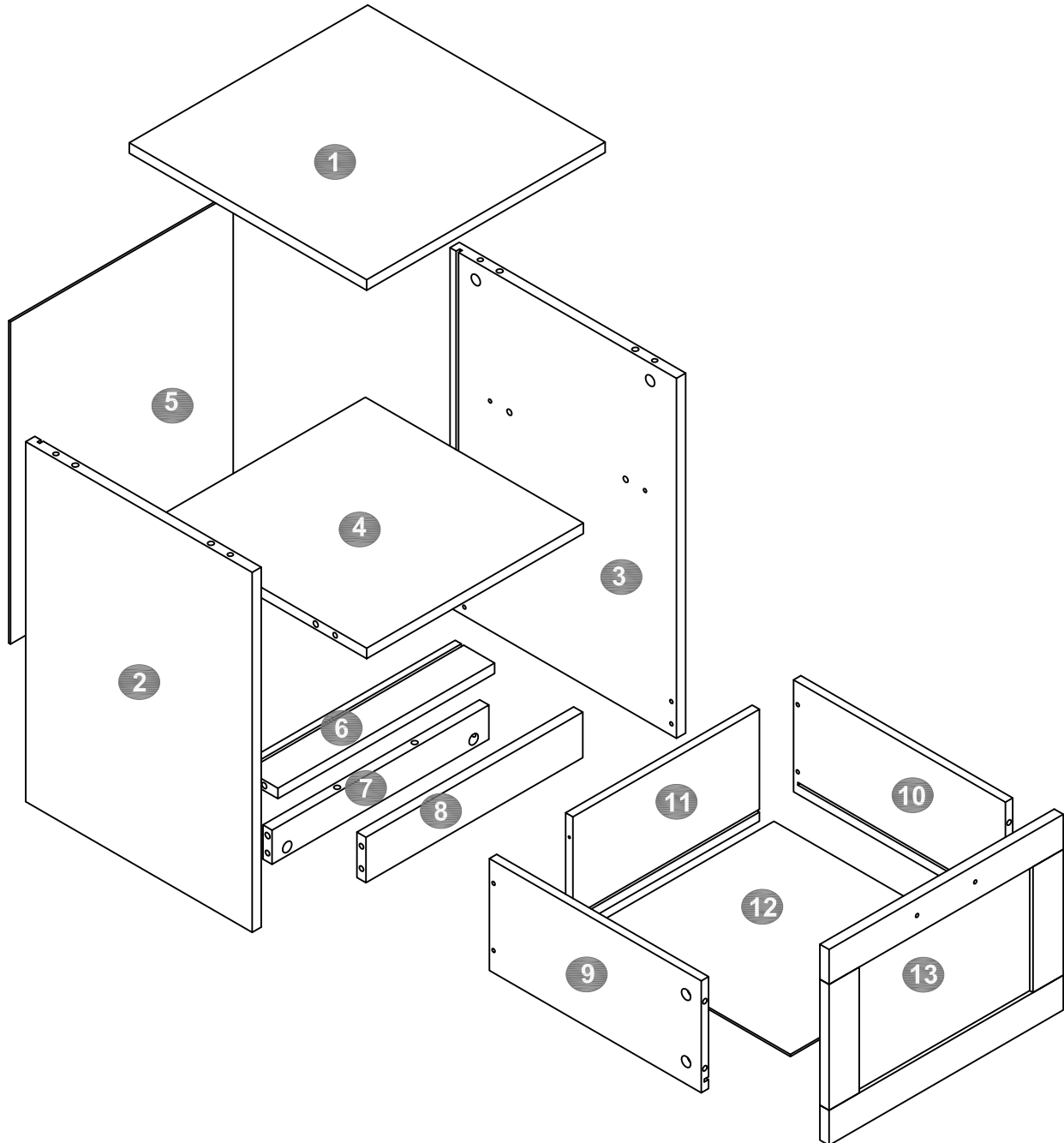
# ASSEMBLY INSTRUCTION

## DESCRIPTION

9302

## ALLURE BEDSIDE TABLE

### PARTS LIST



#### NO.PARTS LIST

(1)Part1  
(2)Part2  
(3)Part3  
(4)Part4  
(5)Part5  
(6)Part6  
(7)Part7

#### QTY

1  
1  
1  
1  
1  
1  
1

#### NO.PARTS LIST

(8) Part8  
(9) Part9  
(10) Part10  
(11) Part11  
(12) Part12  
(13) Part13

#### QTY

1  
1  
1  
1  
1  
1

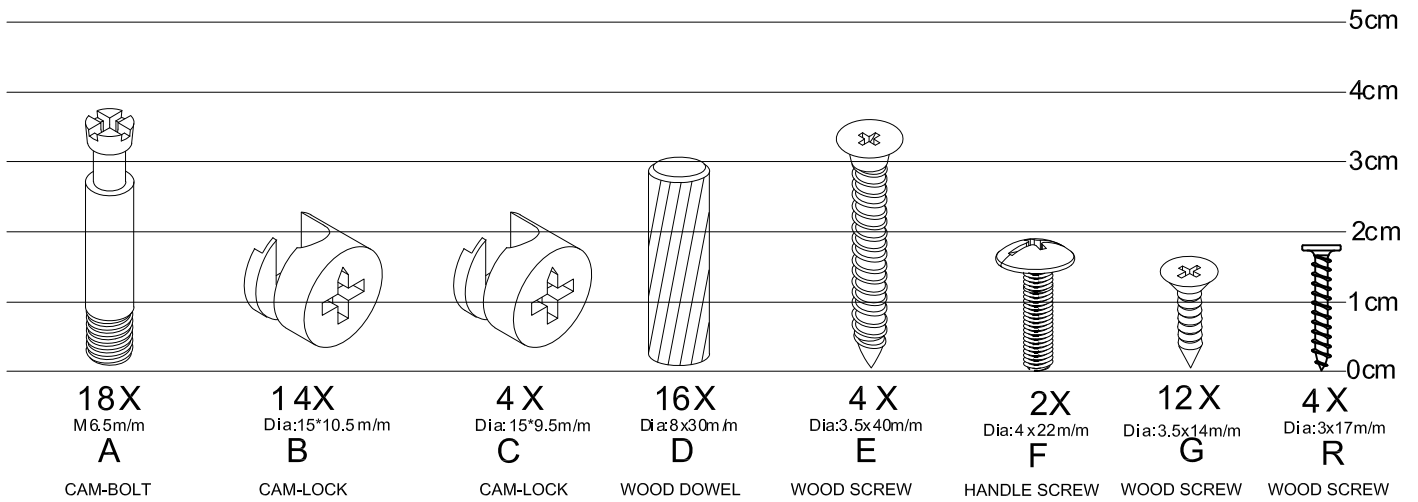
# ASSEMBLY INSTRUCTION

## DESCRIPTION

9302

## ALLURE BEDSIDE TABLE

### HARDWARE LIST



**18X**  
M6.5m/m  
**A**  
CAM-BOLT

**14X**  
Dia:15\*10.5m/m  
**B**  
CAM-LOCK

**4X**  
Dia:15\*9.5m/m  
**C**  
CAM-LOCK

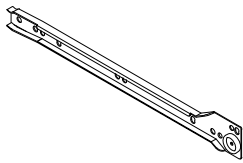
**16X**  
Dia:8x30m/m  
**D**  
WOOD DOWEL

**4X**  
Dia:3.5x40m/m  
**E**  
WOOD SCREW

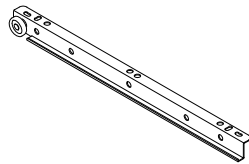
**2X**  
Dia:4x22m/m  
**F**  
HANDLE SCREW

**12X**  
Dia:3.5x14m/m  
**G**  
WOOD SCREW

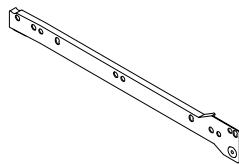
**4X**  
Dia:3x17m/m  
**R**  
WOOD SCREW



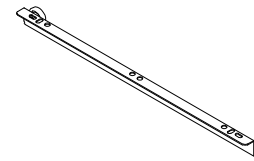
**1X**  
Dia:14"  
**H**  
RIGHT RUNNER



**1X**  
Dia:14"  
**Y**  
RIGHT RUNNER



**1X**  
Dia:14"  
**J**  
LEFT RUNNER



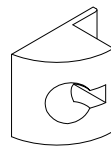
**1X**  
Dia:14"  
**L**  
LEFT RUNNER



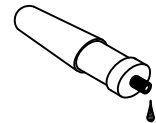
**1X**  
Dia:150x25 m/m  
**U**  
HANDLE



**4X**  
Dia:21x0.5m/m  
**M**  
CAM STICKER



**4X**  
**P**  
BACK PLY STOPPER



**1X**  
**S**  
GLUE



**4X**  
**V**  
LEG STUD

# ASSEMBLY INSTRUCTION

## DESCRIPTION

9302

## ALLURE BEDSIDE TABLE

### Top Tips before you start!

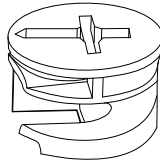
1. Please check that all parts are present before you start the assembly of your furniture, as once assembled, the furniture is exempt from our home approval policy.
2. For ease and speed of assembly, we recommend that before you commence each step of the assembly, that you identify all the parts required for that step.
3. For larger items, please ensure that you have sufficient space and people (as indicated on page 1) to assemble your product safely.
4. We recommend that, where possible, all items are assembled near to the area in which they will be placed in use, to avoid moving the product unnecessarily once assembled.
5. For the protection of your furniture, particularly items of high gloss finish, we recommend that the product is placed on a protected surface during assembly to prevent any damage.
6. During assembly please take care not to over-tighten any fittings, as this may damage the product.

### Care and Maintenance of your Furniture

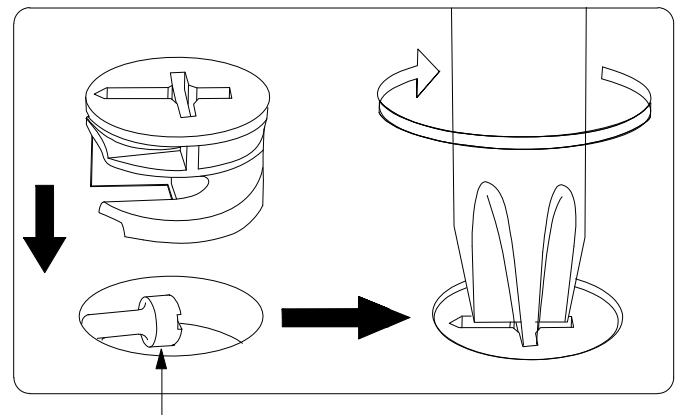
- Please periodically check all fittings and re-tighten as necessary.
- Please do not drag or pull your furniture.
- Wipe occasionally with a soft cloth slightly dampened with water. Then buff with a dry clean soft cloth.
- Never allow any kind of liquid to remain on your furniture. Absorption can cause wood to warp or finishes to de-laminate.
- Please do not sit or stand on this item.

## SPECIAL TIPS FOR FITTING CAM-LOCKS AND CAM-BOLTS

### CAM-LOCK



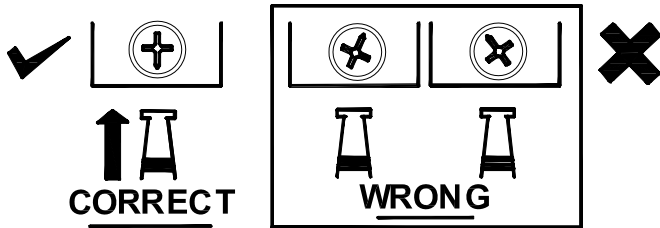
Align with long point of cross



Lock head needs to be in centre

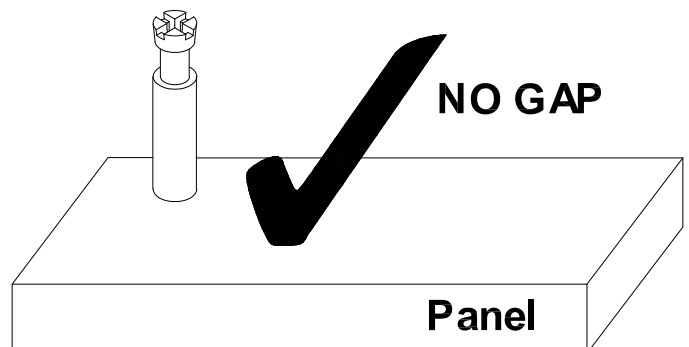
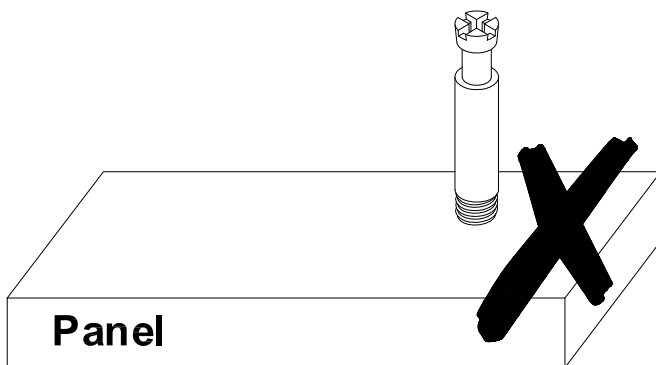
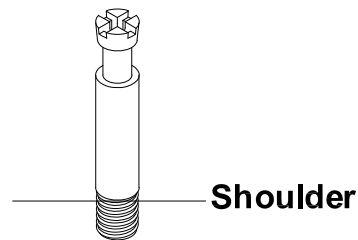
#### WHEN FITTING CAMS

ENSURE STARTING POSITION IS CORRECT  
BEFORE YOU INSERT CONNECTING CAM-BOLTS  
TURN CLOCKWISE UNTIL SECURE



### CAM-BOLT

Tighten until shoulder is flush  
with panel. Do not overtighten  
or undertighten (see example  
below)



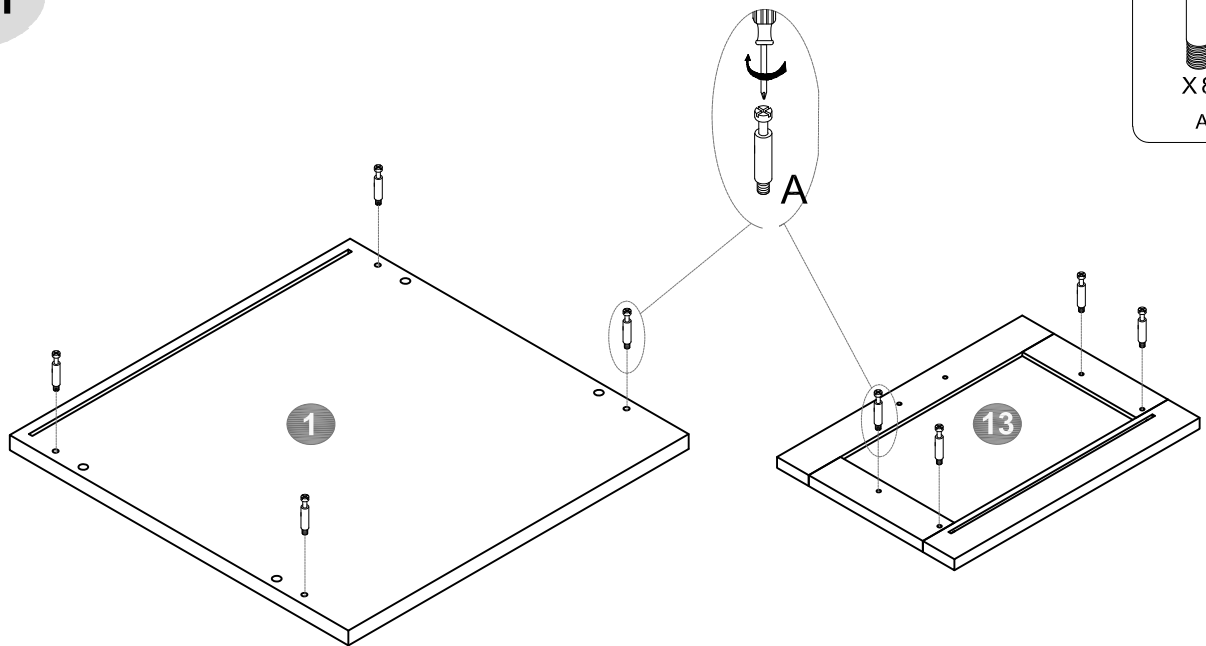
# ASSEMBLY INSTRUCTION

## DESCRIPTION

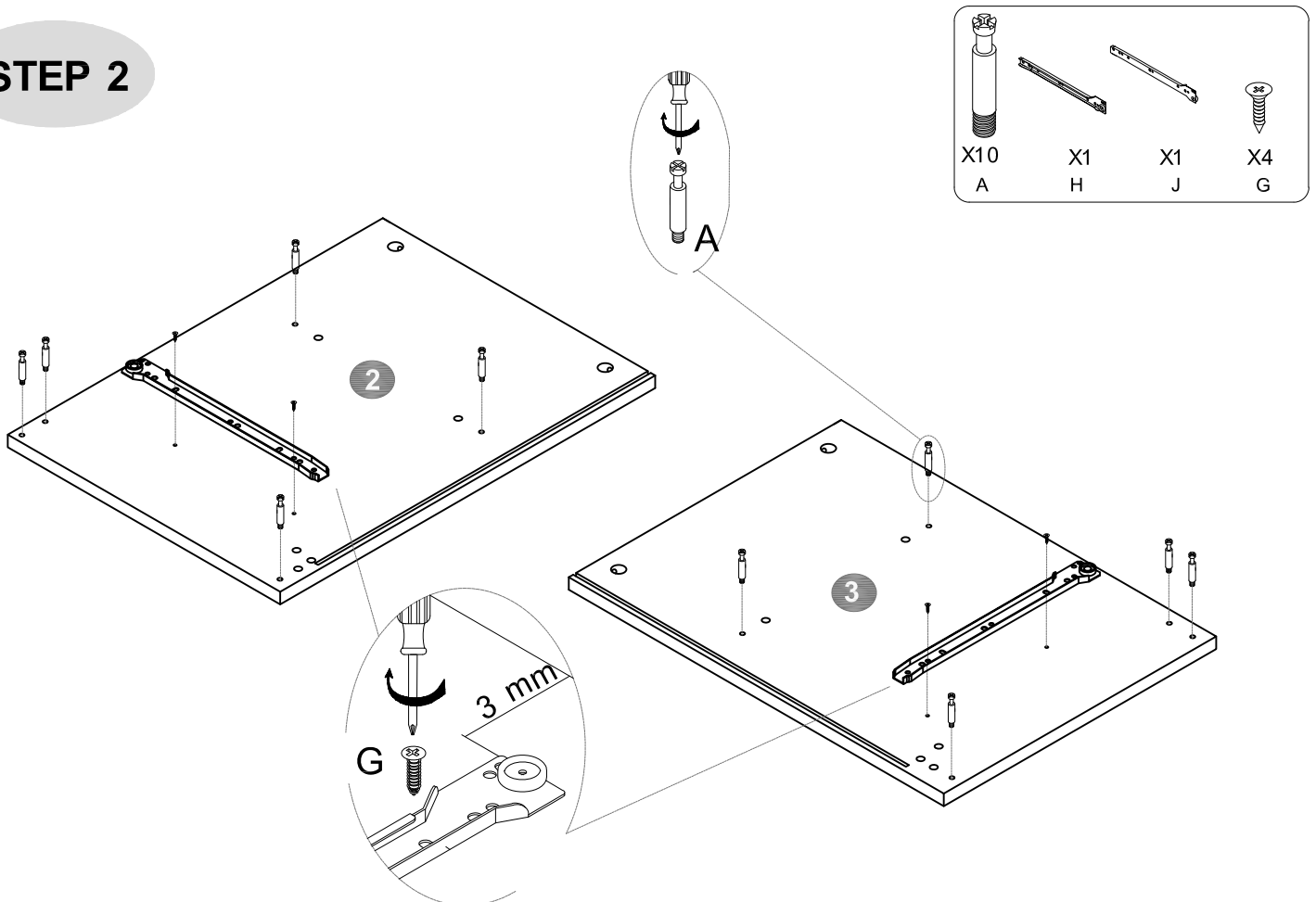
9302

## ALLURE BEDSIDE TABLE

### STEP 1



### STEP 2



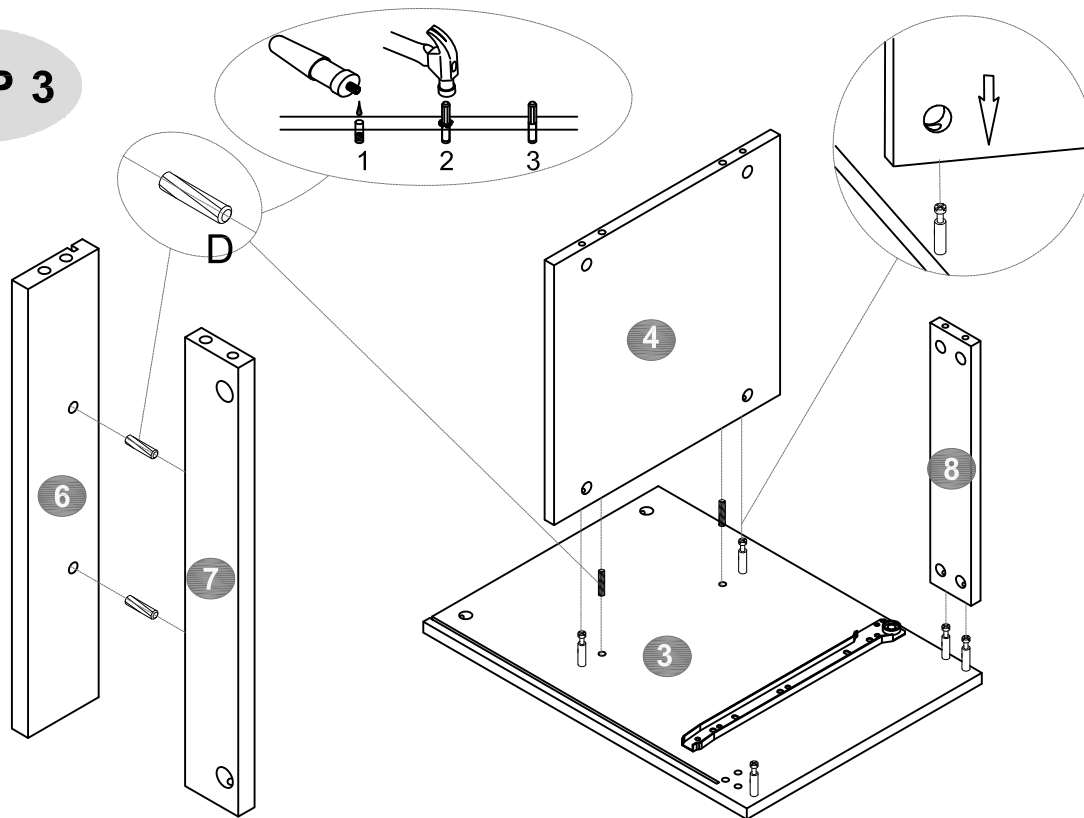
# ASSEMBLY INSTRUCTION

## DESCRIPTION

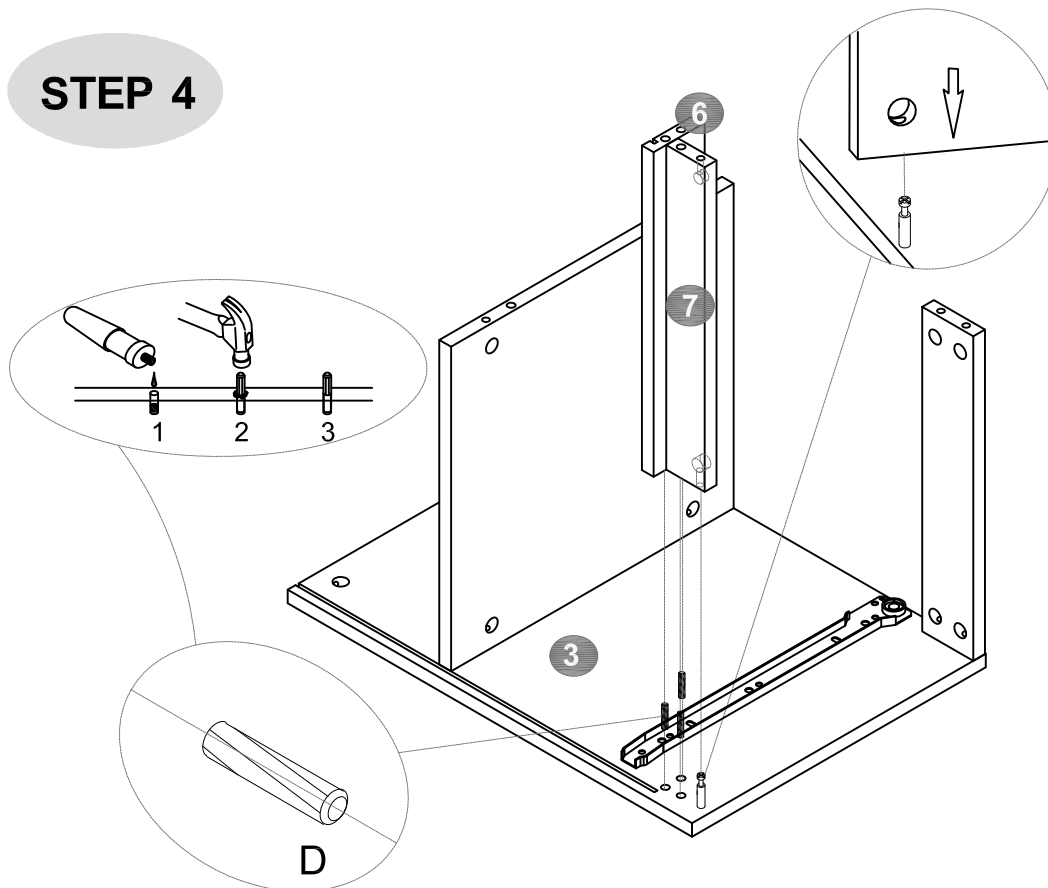
9302

## ALLURE BEDSIDE TABLE

### STEP 3



### STEP 4



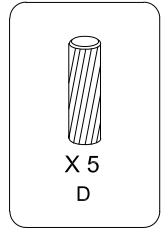
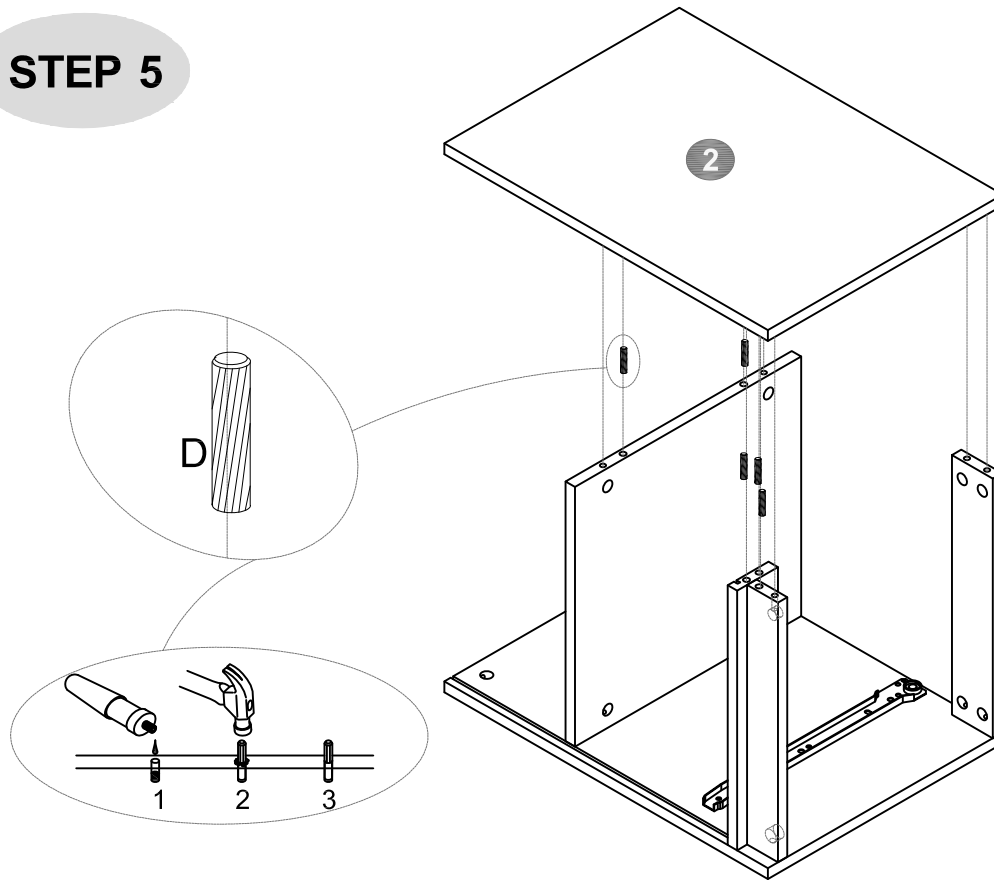
# ASSEMBLY INSTRUCTION

## DESCRIPTION

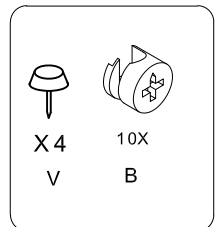
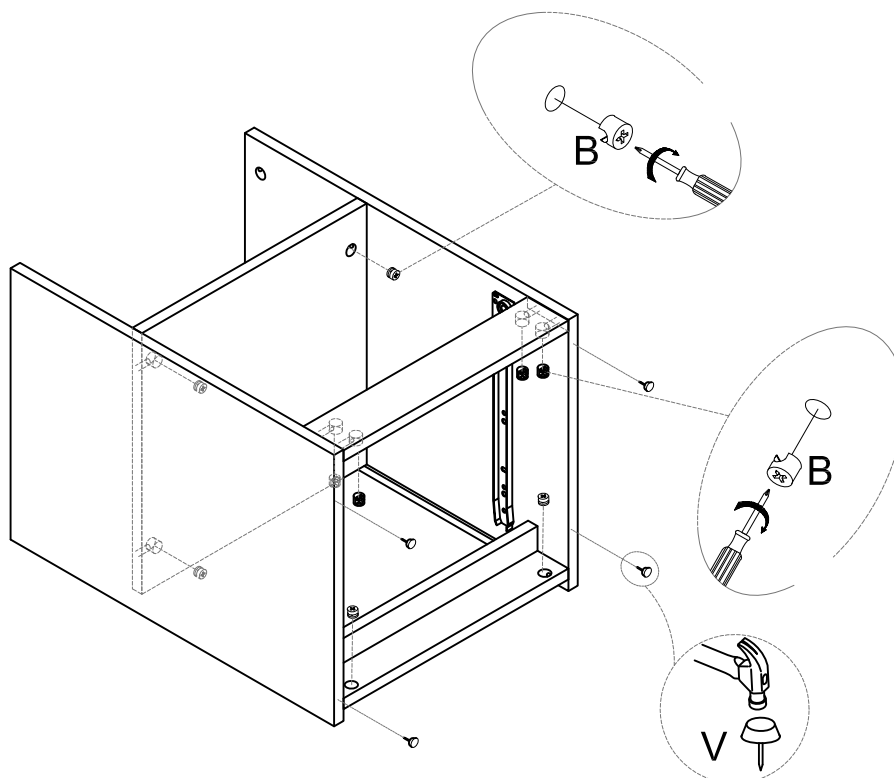
9302

## ALLURE BEDSIDE TABLE

### STEP 5



### STEP 6





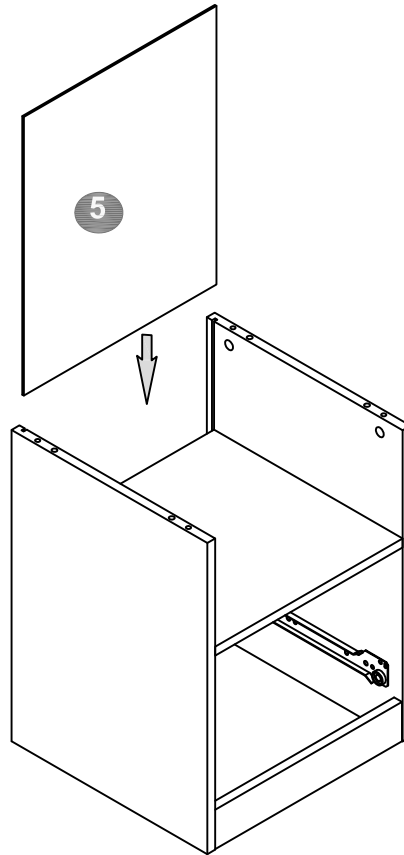
# ASSEMBLY INSTRUCTION

## DESCRIPTION

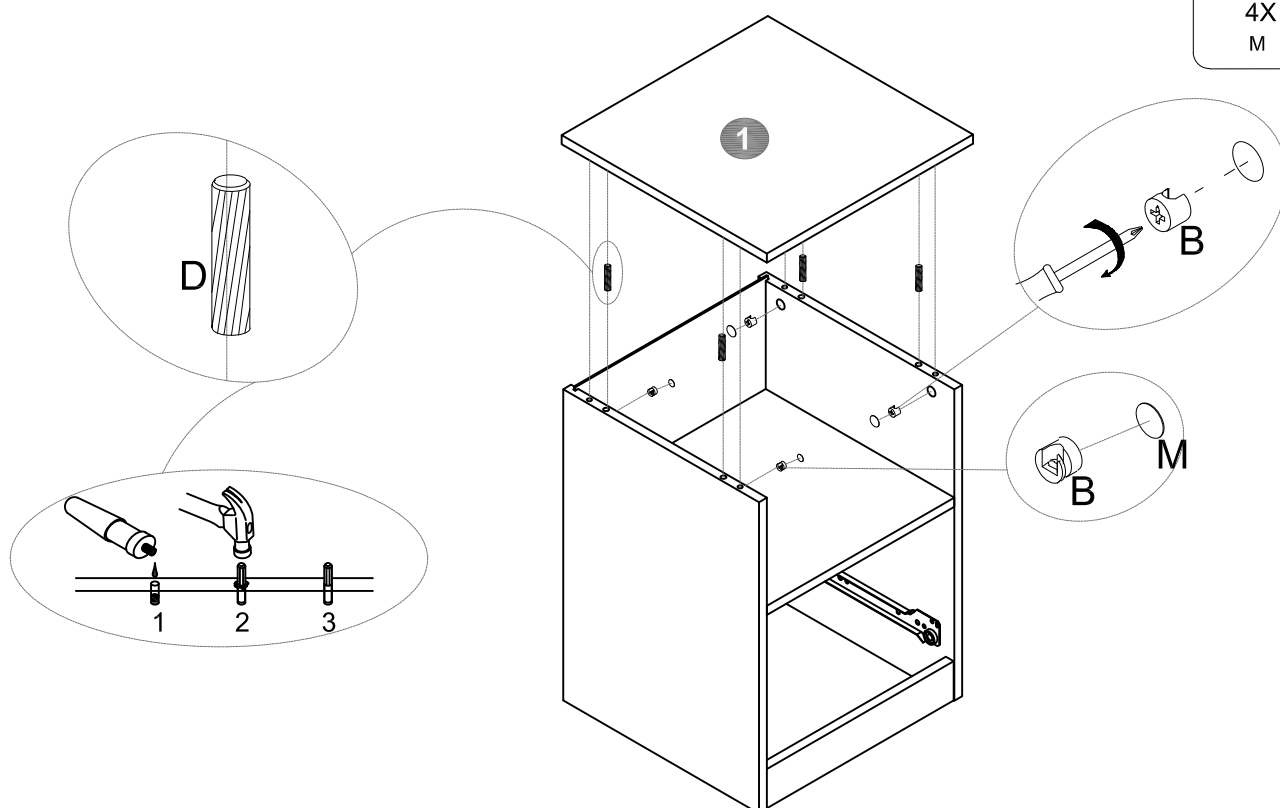
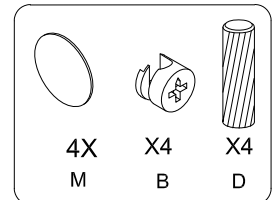
9302

## ALLURE BEDSIDE TABLE

### STEP 7



### STEP 8



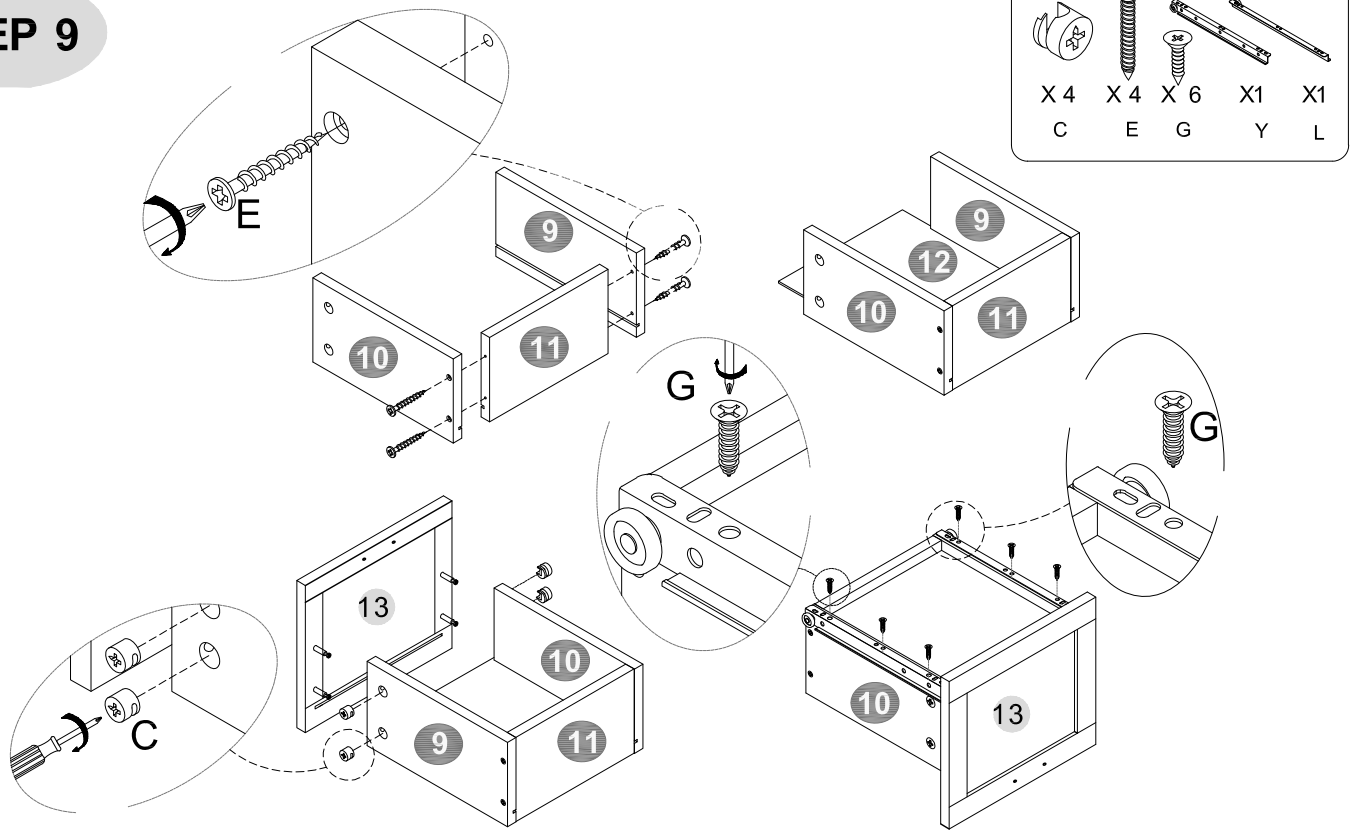
# ASSEMBLY INSTRUCTION

## DESCRIPTION

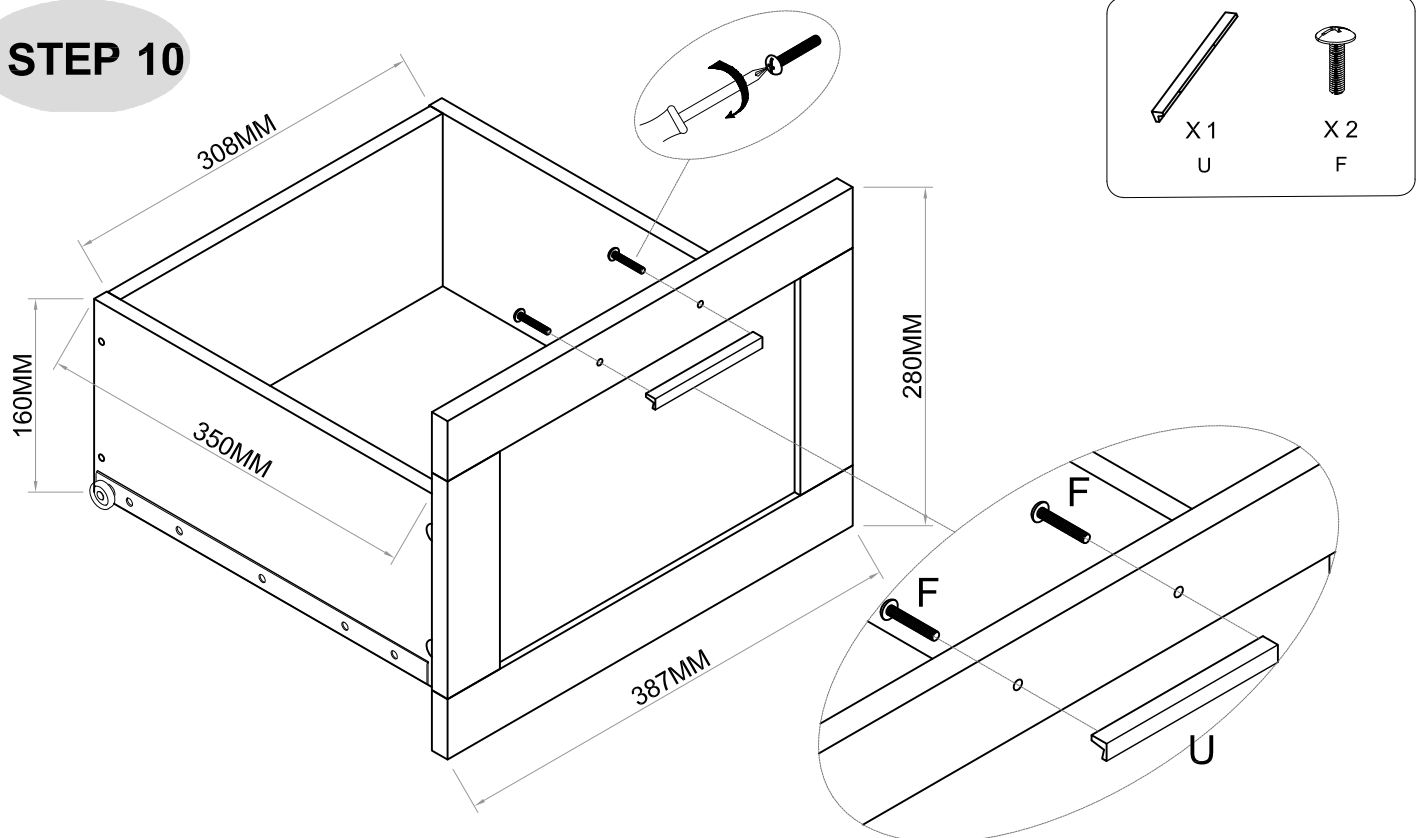
9302

## ALLURE BEDSIDE TABLE

### STEP 9



### STEP 10



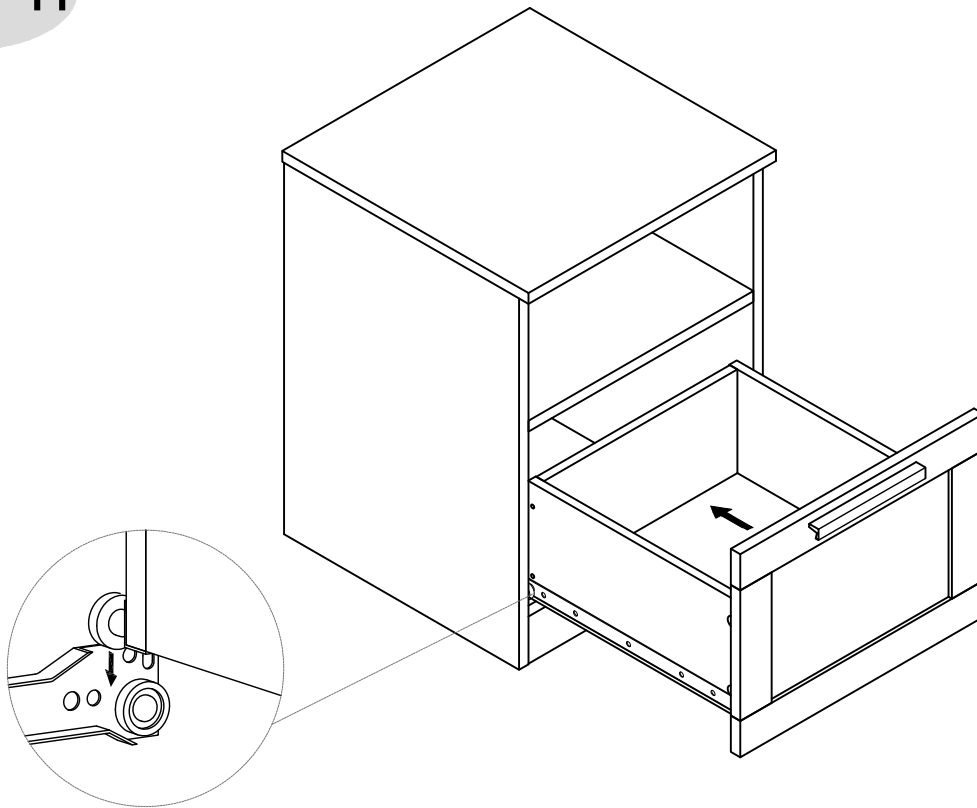
# ASSEMBLY INSTRUCTION

## DESCRIPTION

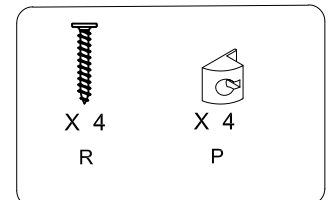
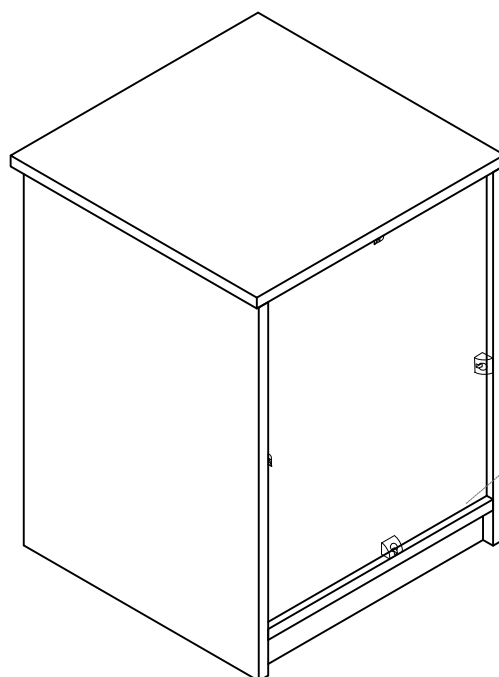
9302

## ALLURE BEDSIDE TABLE

### STEP 11



### STEP 12



# ASSEMBLY INSTRUCTION

9302

ALLURE BEDSIDE TABLE

## STEP 13

