

# ASSEMBLY INSTRUCTION

DESCRIPTION  
3300

Noosa 6 Drawer Chest

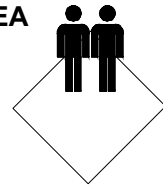
1.5hr

APPEOXIMATE ASSEMBLY TIME

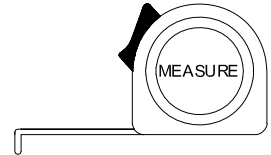
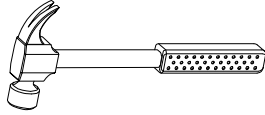
2 PERSON ASSEMBLY



FLOOR AREA  
2MX1.6M

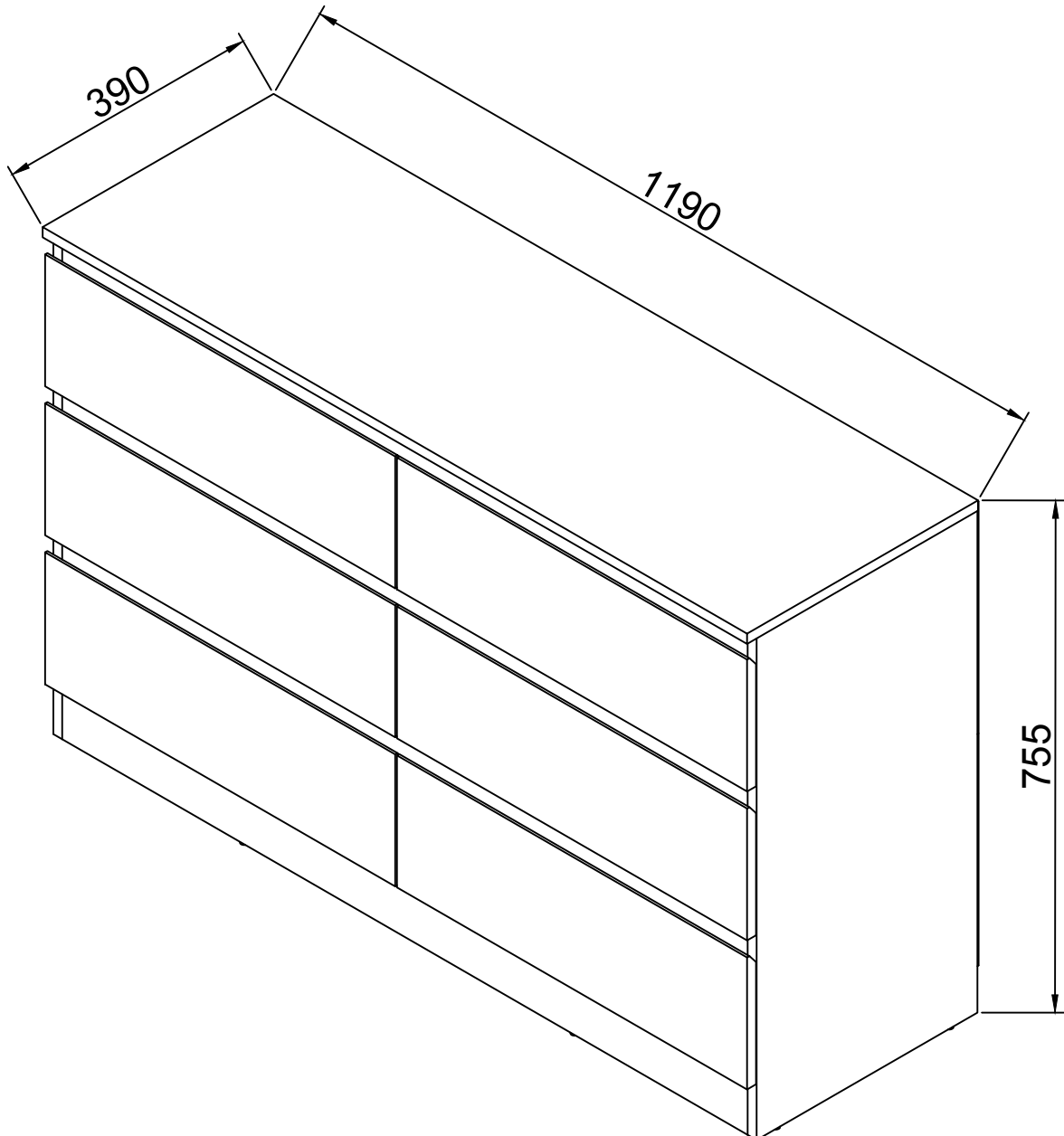


REQUIRED ASSEMBLY SPACE



REQUIRED ASSEMBLY TOOLS

ASSWMBLED DIMENSIONS

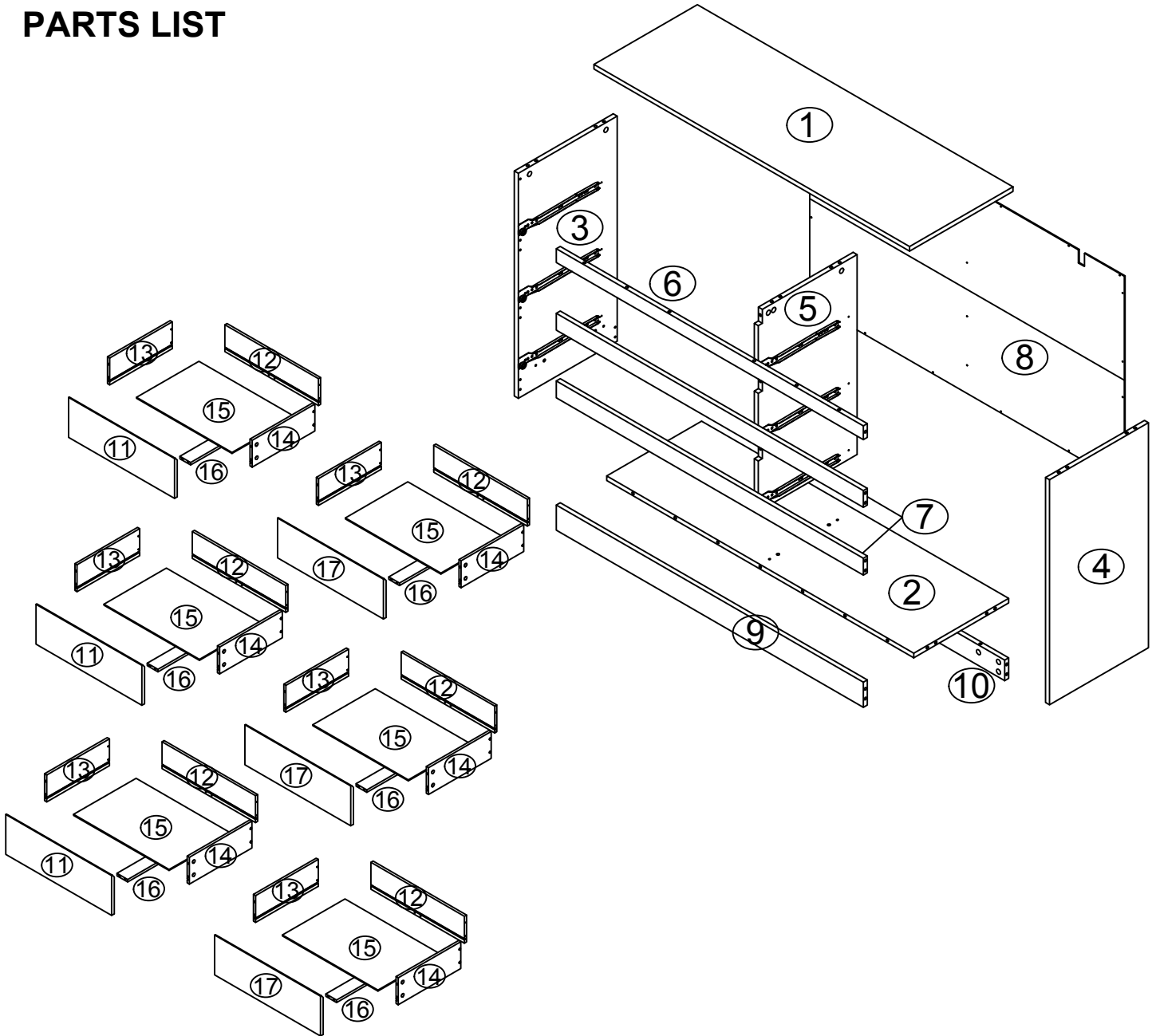


# ASSEMBLY INSTRUCTION

DESCRIPTION  
3300

Noosa 6 Drawer Chest

## PARTS LIST



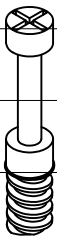
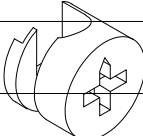

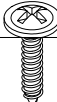
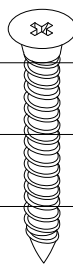
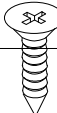
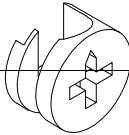
| (1)<br>NO.PARTS LIST | QTY | NO.PARTS LIST | QTY |
|----------------------|-----|---------------|-----|
| (1) Part1            | 1   | (12) Part12   | 6   |
| (2) Part2            | 1   | (13) Part13   | 6   |
| (3) Part3            | 1   | (14) Part14   | 6   |
| (4) Part4            | 1   | (15) Part15   | 6   |
| (5) Part5            | 1   | (16) Part16   | 6   |
| (6) Part6            | 1   | (17) Part17   | 3   |
| (7) Part7            | 2   |               |     |
| (8) Part8            | 1   |               |     |
| (9) Part9            | 1   |               |     |
| (10) Part10          | 1   |               |     |
| (11) Part11          | 3   |               |     |

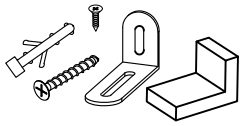
# ASSEMBLY INSTRUCTION

## DESCRIPTION 3300

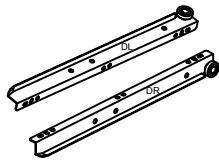
### Noosa 6 Drawer Chest

## HARDWARE LIST

|   |   |   |   |  |   |   |  |     |
|---|---|---|---|--|---|---|--|-----|
|   |   |   |   |  |   |   |  | 7cm |
|   |   |   |   |  |   |   |  | 7cm |
|   |   |   |   |  |   |   |  | 6cm |
|   |   |   |   |  |   |   |  | 5cm |
|   |   |   |   |  |   |   |  | 4cm |
|   |   |   |   |  |   |   |  | 3cm |
|   |   |   |   |  |   |   |  | 2cm |
|   |   |   |   |  |   |   |  | 1cm |
|  |  |  |  |  |  |  |  |     |
| 79  | 43  | 20  | 24  | 36   | 36  | 36  |  |     |
| M6.5m/m   | Dia:15x12m/m  | Dia:8x30m/m   | Dia:3.5x12m/m   | Dia:4x35m/m  | Dia:3x12m/m   | Dia:15x9.5m/m   |  |     |
| A   | B   | C   | D   | E  | F   | G   |  |     |
| CAM-BOLT  | CAM-LOCK  | WOOD DOWEL  | WOOD SCREW  | WOOD SCREW   | WOOD SCREW  | CAM-LOCK  |  |     |



2X  
H



6X  
J



2X  
Dia:4x40m/m  
K

#### Top Tips before you start!

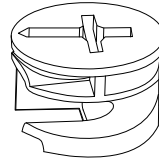
1. Please check that all parts are present before you start the assembly of your furniture, as once assembled, the furniture is exempt from our home approval policy.
2. For ease and speed of assembly, we recommend that before you commence each step of the assembly, that you identify all the parts required for that step.
3. For larger items, please ensure that you have sufficient space and people (as indicated on page 1) to assemble your product safely.
4. We recommend that, where possible, all items are assembled near to the area in which they will be placed in use, to avoid moving the product unnecessarily once assembled.
5. For the protection of your furniture, particularly items of high gloss finish, we recommend that the product is placed on a protected surface during assembly to prevent any damage.
6. During assembly please take care not to over-tighten any fittings, as this may damage the product.

#### Care and Maintenance of your Furniture

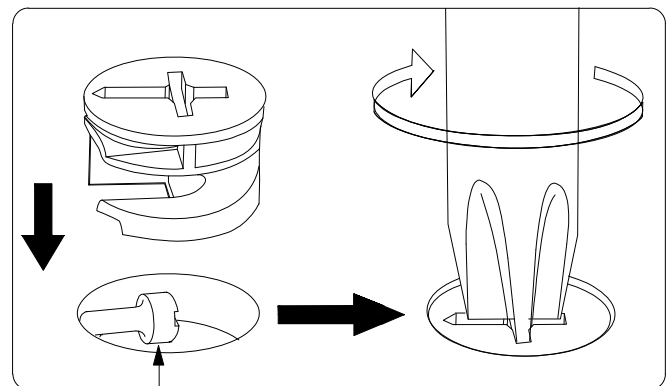
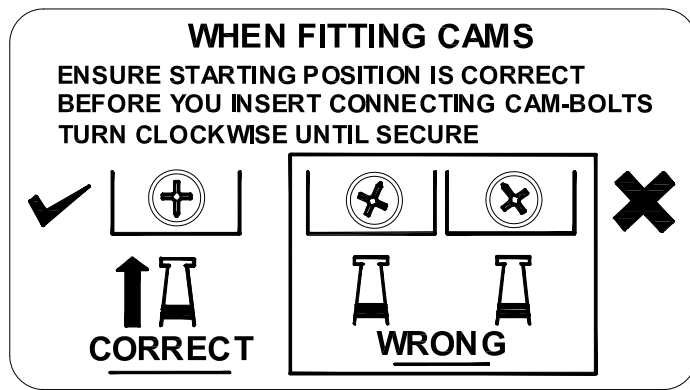
- Please periodically check all fittings and re-tighten as necessary.
- Please do not drag or pull your furniture.
- Wipe occasionally with a soft cloth slightly dampened with water. Then buff with a dry clean soft cloth.
- Never allow any kind of liquid to remain on your furniture. Absorption can cause wood to warp or finishes to de-laminate.
- Please do not sit or stand on this item.

## SPECIAL TIPS FOR FITTING CAM-LOCKS AND CAM-BOLTS

### CAM-LOCK



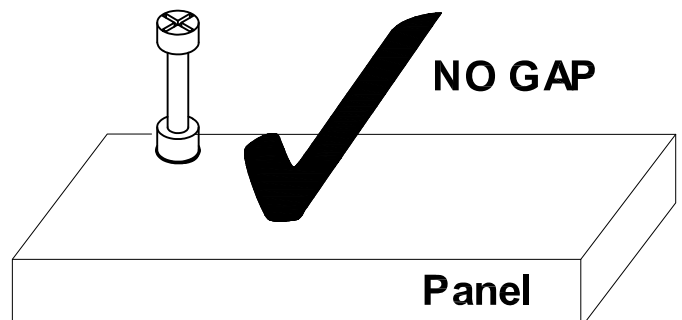
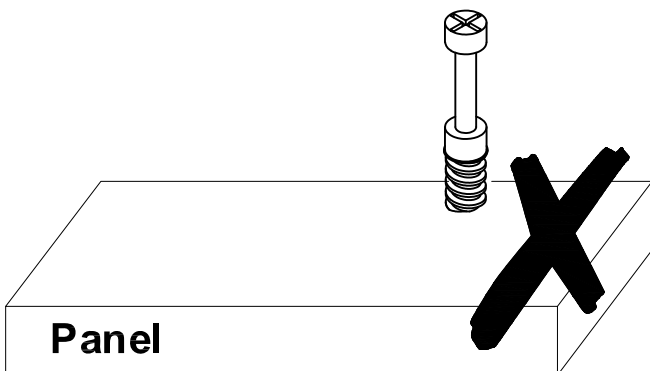
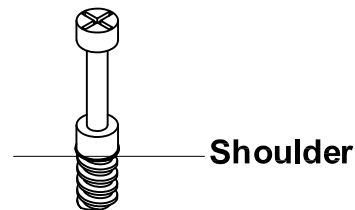
Align with long point of cross



Lock head needs to be in centre

### CAM-BOLT

Tighten until shoulder is flush with panel. Do not overtighten or undertighten (see example below)

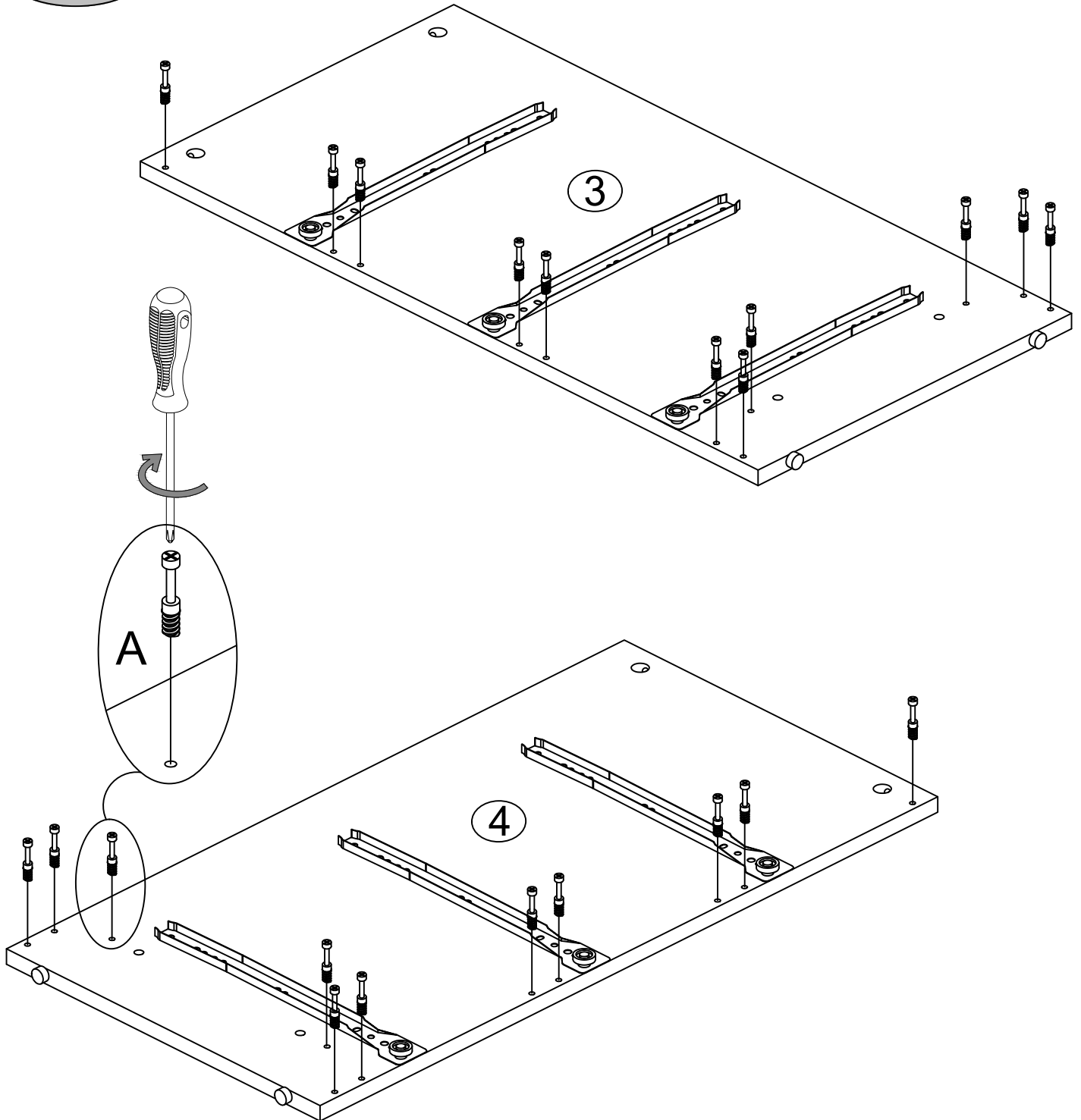


# ASSEMBLY INSTRUCTION

DESCRIPTION  
3300

Noosa 6 Drawer Chest

STEP 1



22X

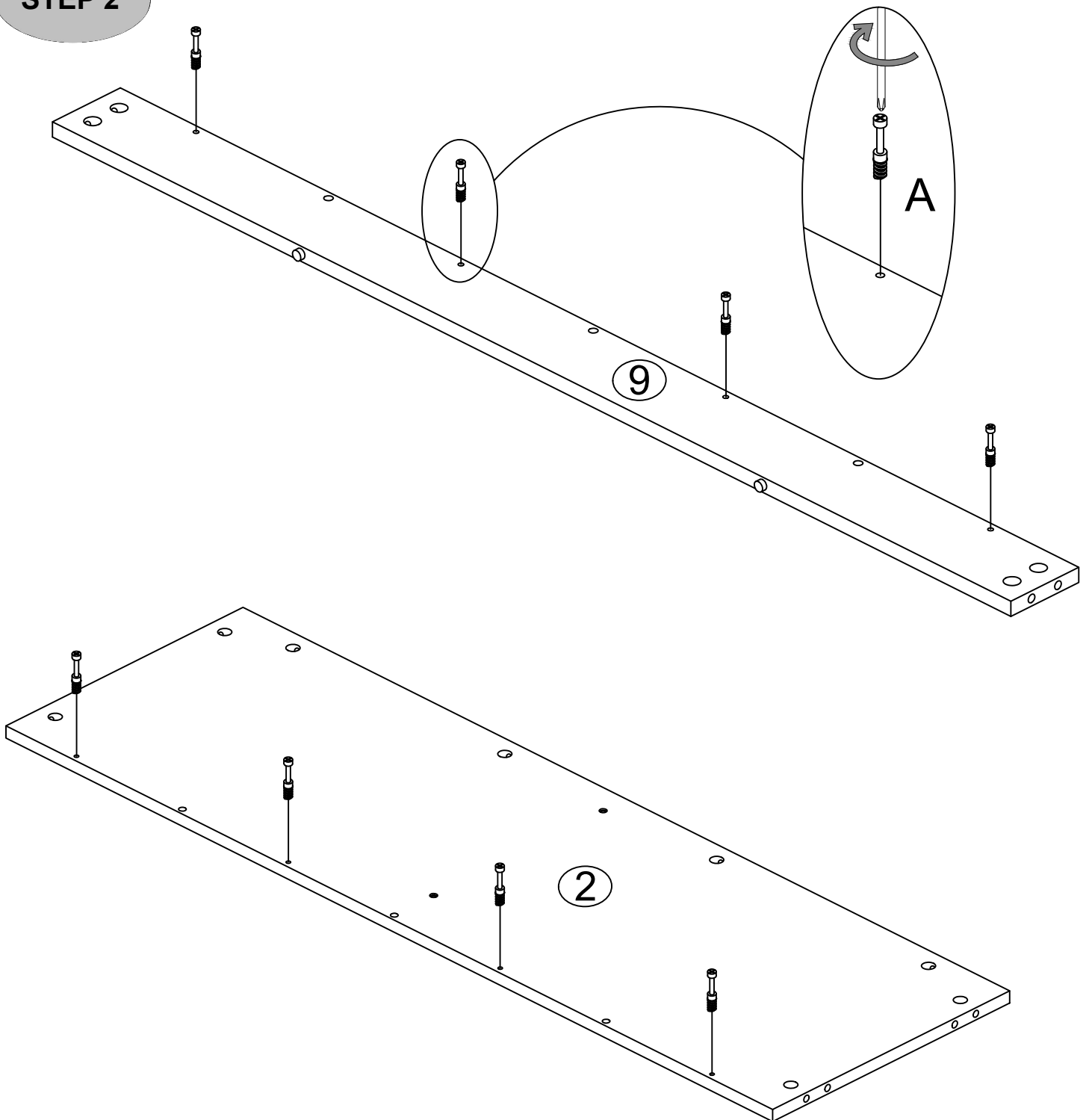
A

# ASSEMBLY INSTRUCTION

DESCRIPTION  
3300

Noosa 6 Drawer Chest

STEP 2



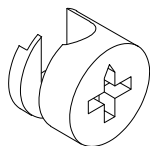
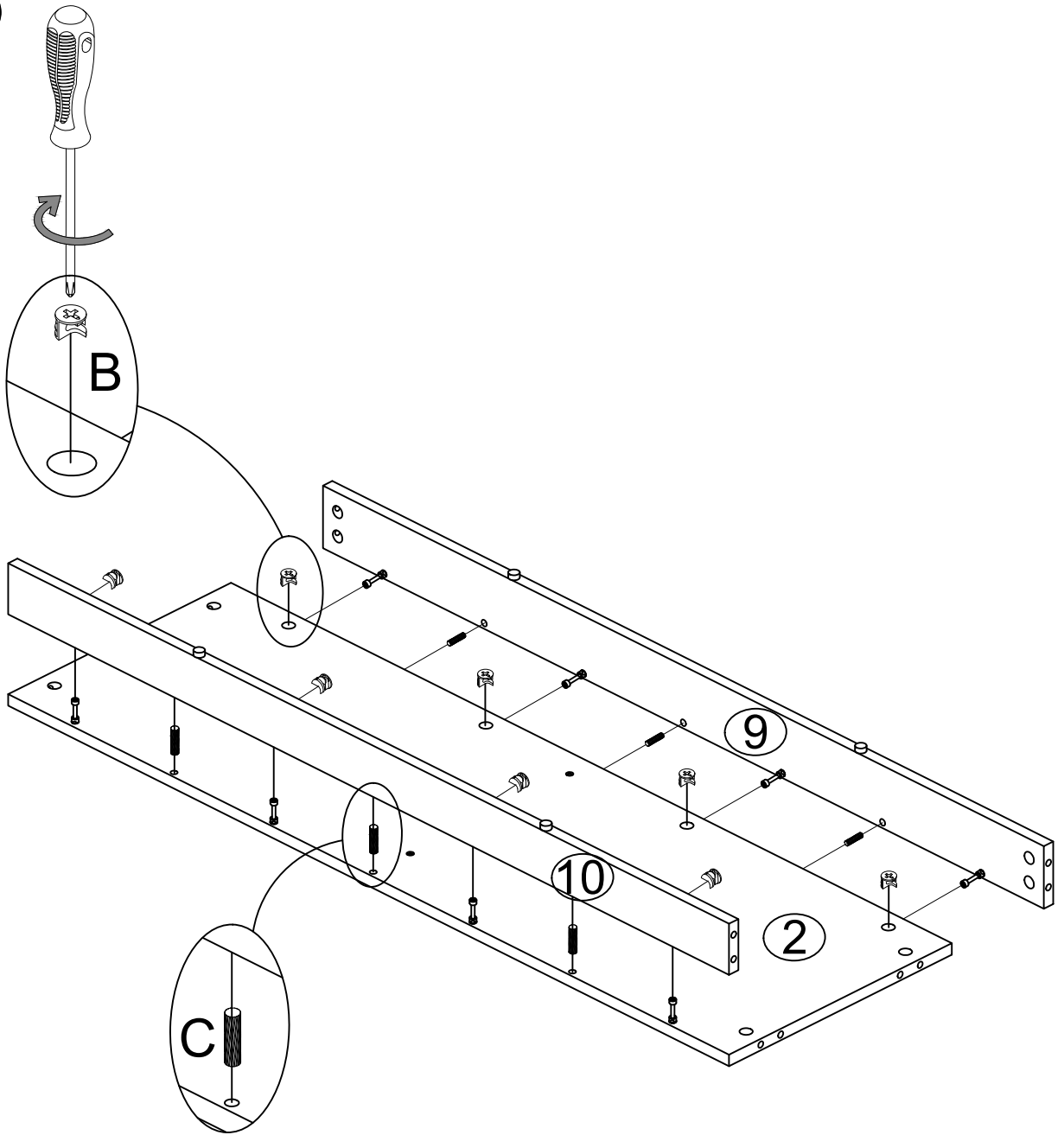
8X  
A

# ASSEMBLY INSTRUCTION

DESCRIPTION  
3300

Noosa 6 Drawer Chest

STEP 3



8X  
B



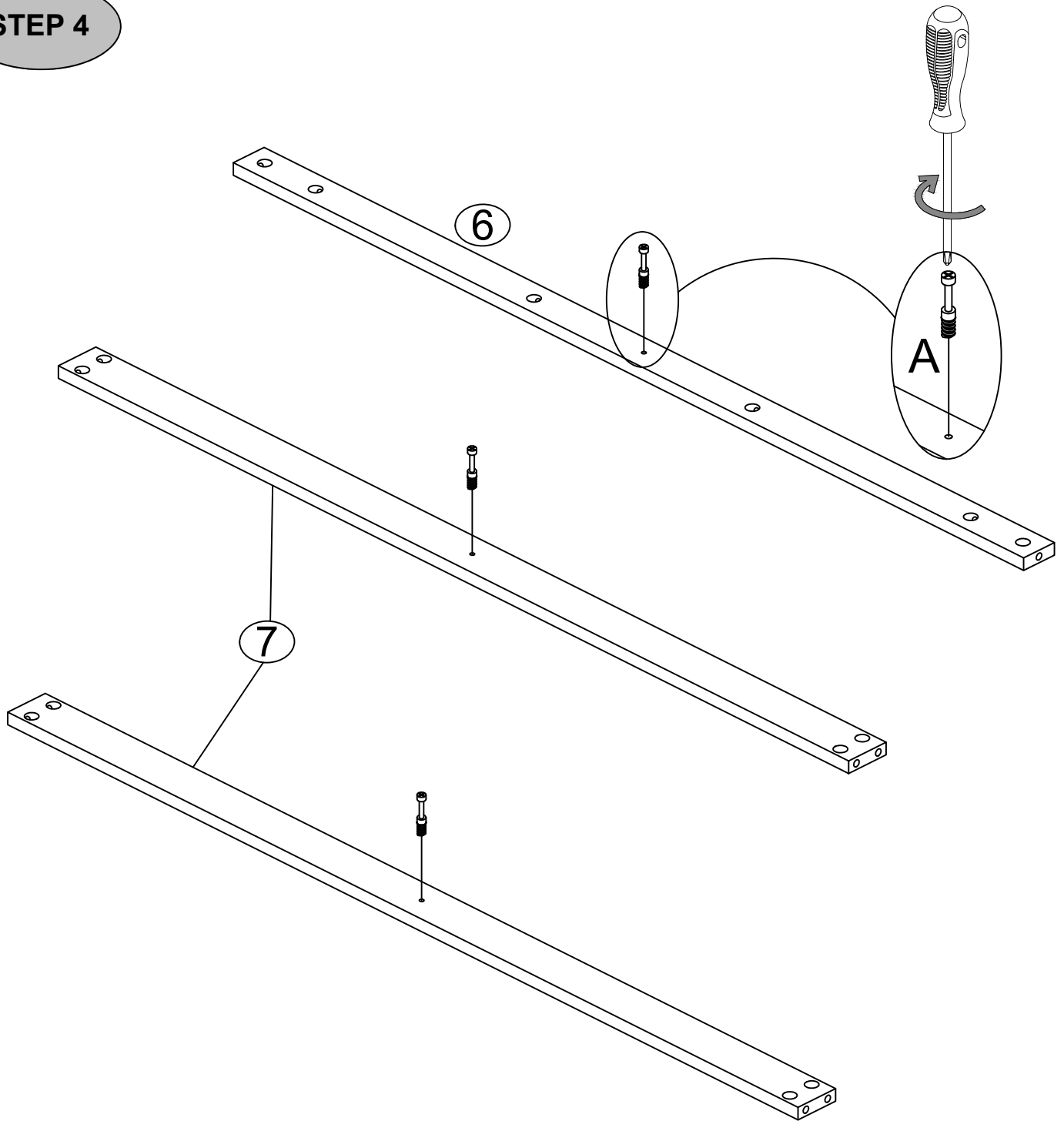
6X  
C

# ASSEMBLY INSTRUCTION

DESCRIPTION  
3300

Noosa 6 Drawer Chest

STEP 4



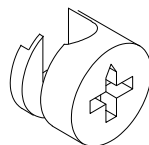
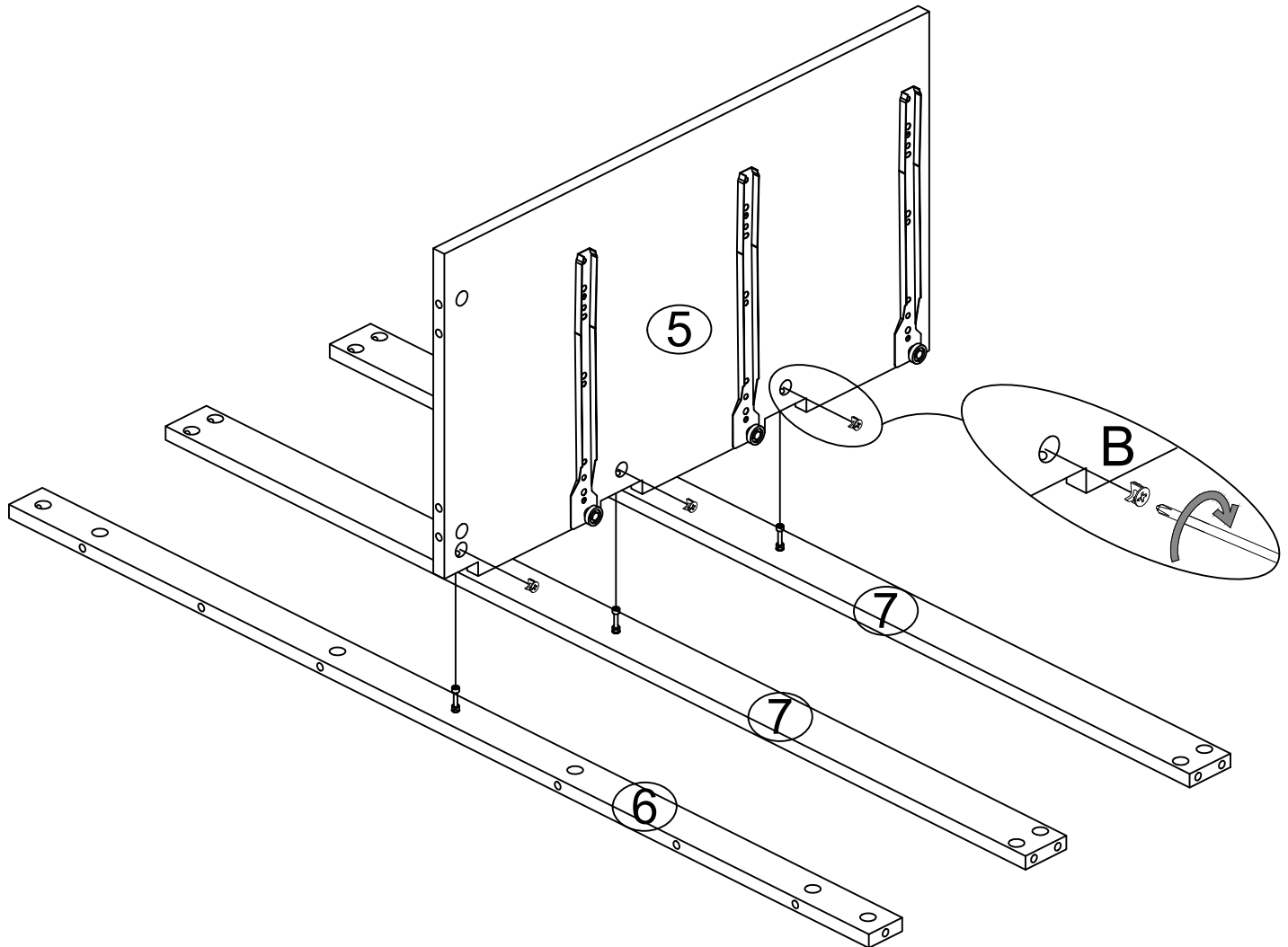
3X  
A

# ASSEMBLY INSTRUCTION

DESCRIPTION  
3300

Noosa 6 Drawer Chest

STEP 5



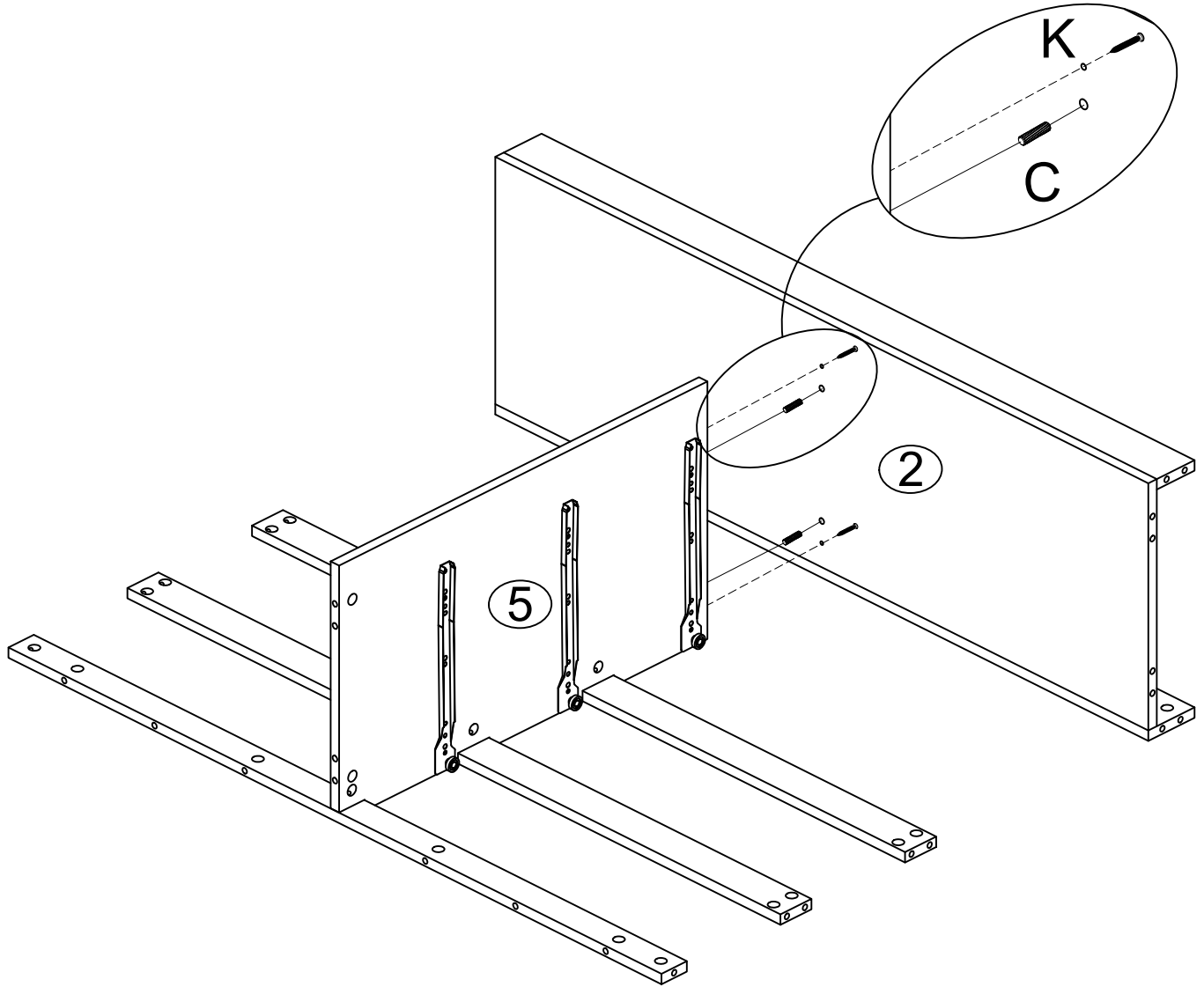
3X  
B

# ASSEMBLY INSTRUCTION

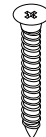
DESCRIPTION  
3300

Noosa 6 Drawer Chest

STEP 6



2X  
C



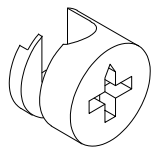
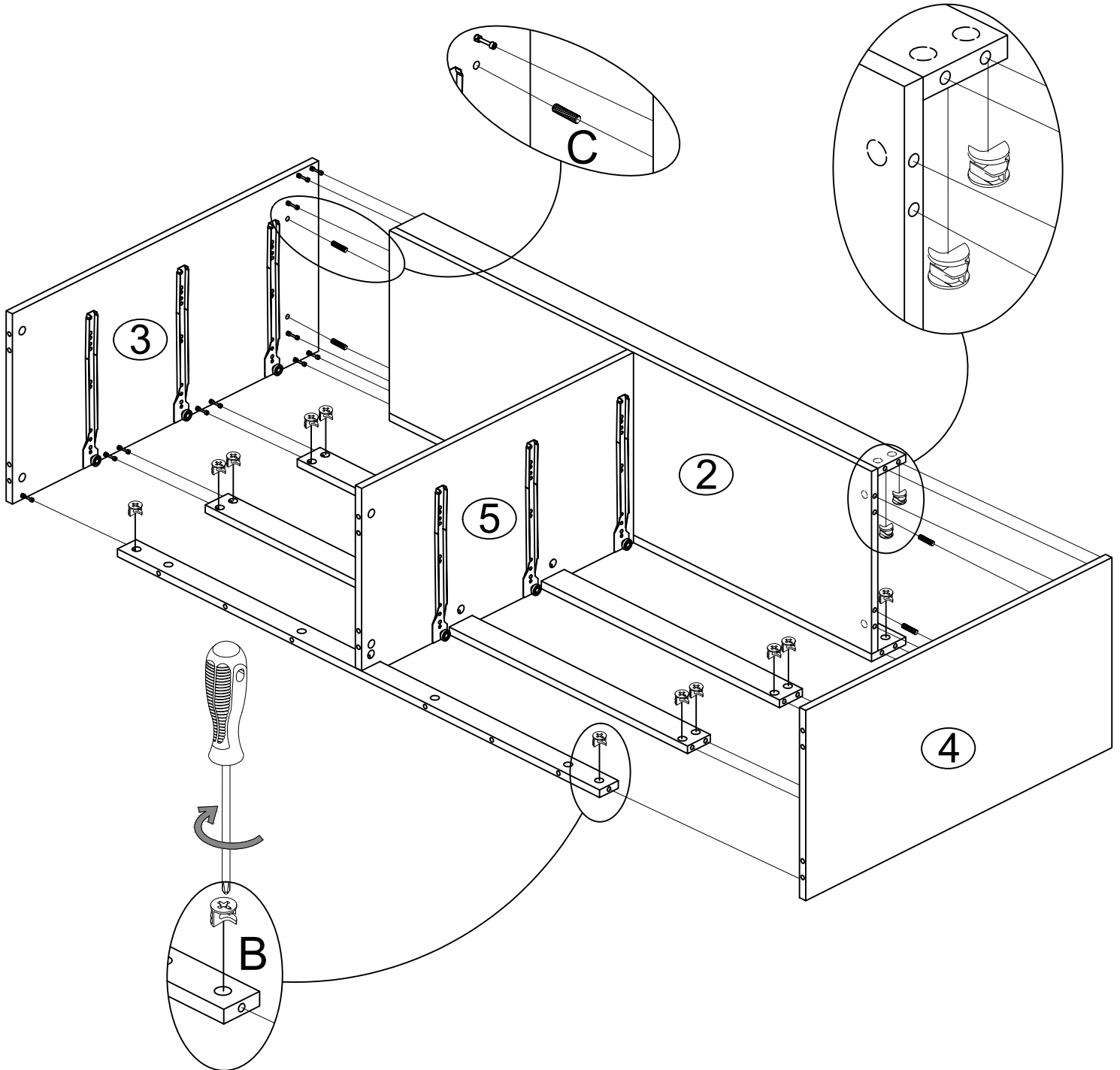
2X  
K

# ASSEMBLY INSTRUCTION

DESCRIPTION  
3300

Noosa 6 Drawer Chest

STEP 7



22X  
B



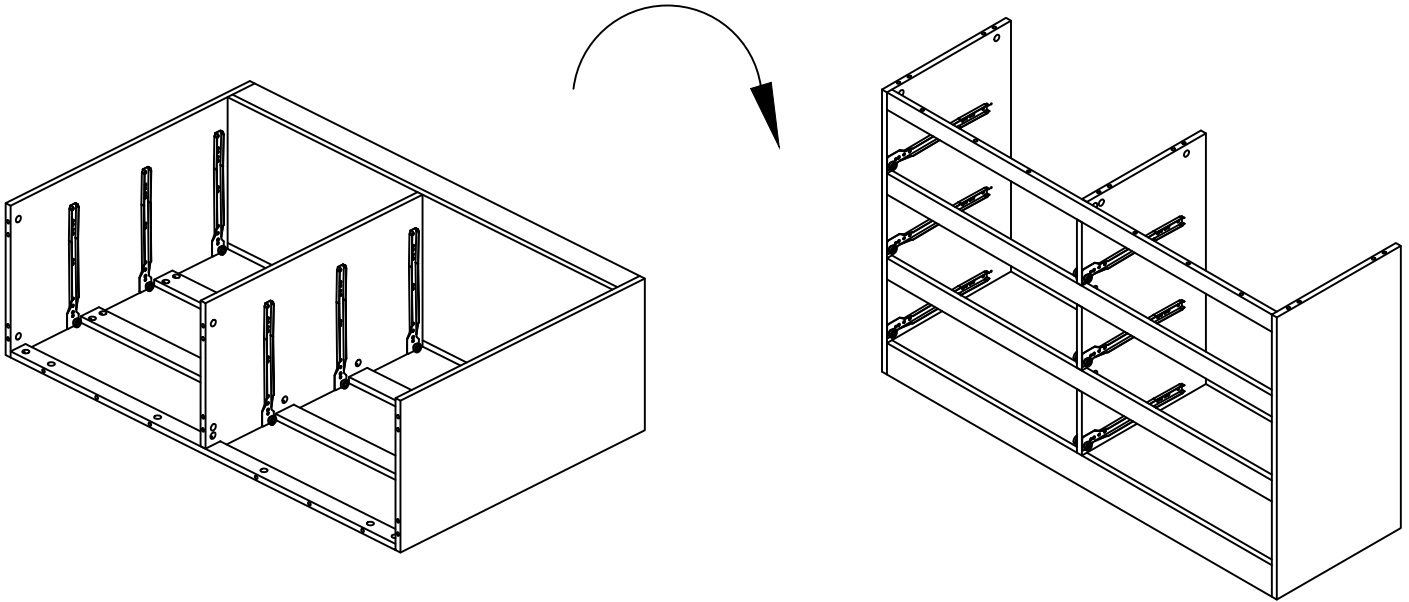
4X  
C

# ASSEMBLY INSTRUCTION

DESCRIPTION  
3300

Noosa 6 Drawer Chest

STEP 8

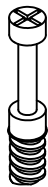
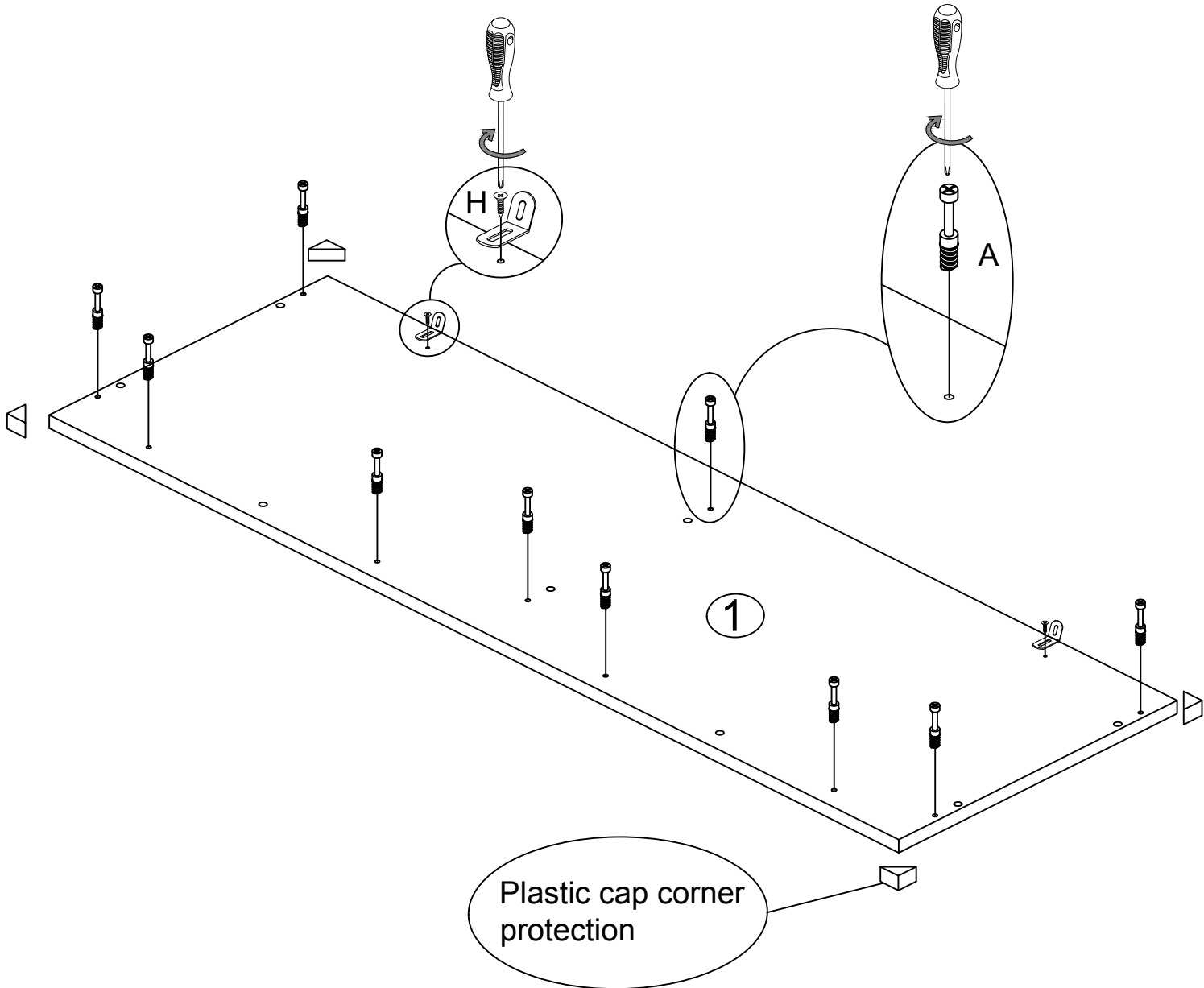


# ASSEMBLY INSTRUCTION

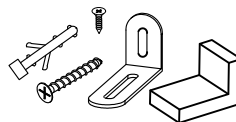
DESCRIPTION  
3300

Noosa 6 Drawer Chest

## STEP 9



10X  
A



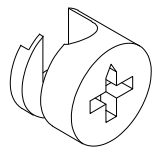
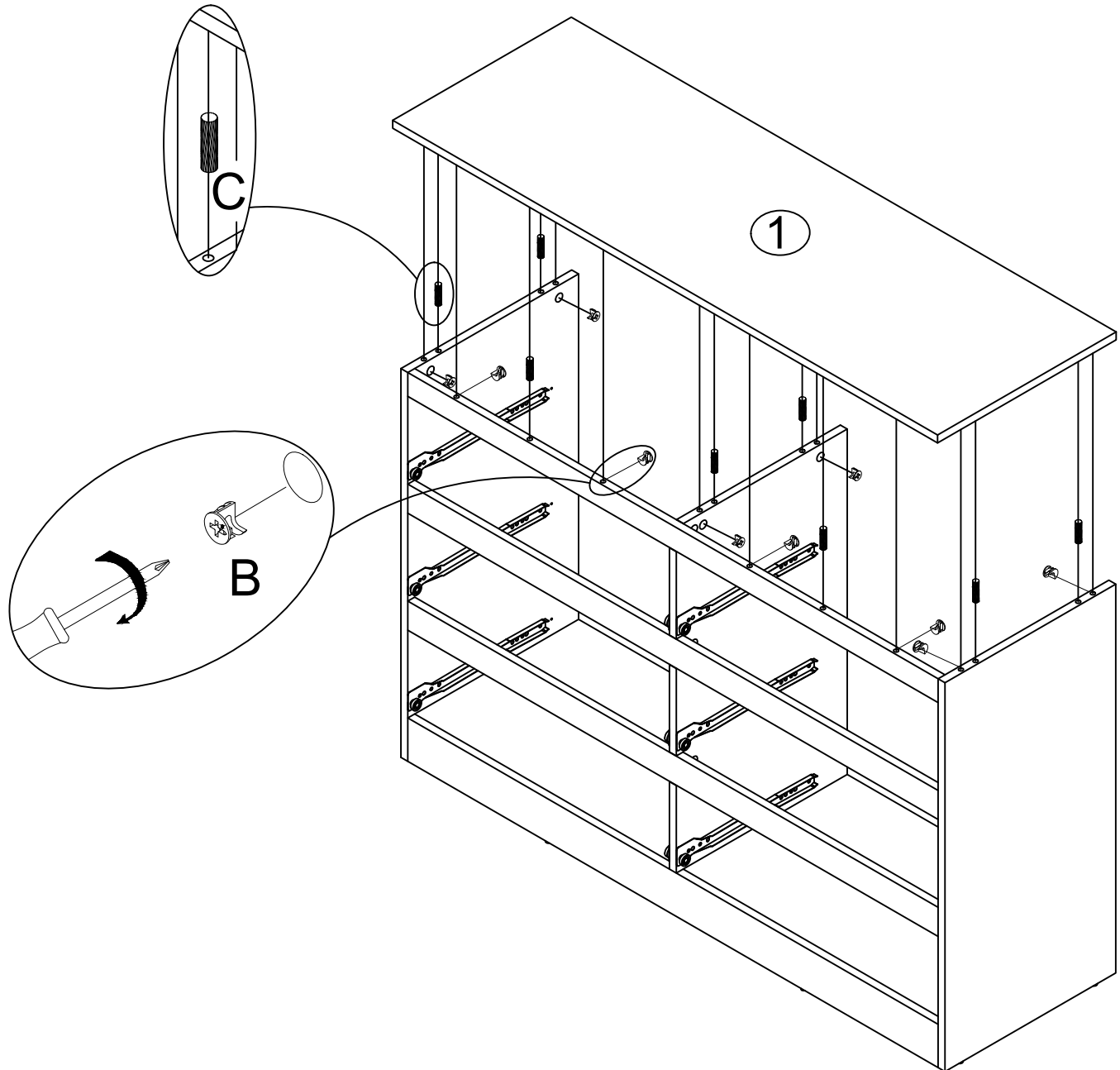
2X  
H

# ASSEMBLY INSTRUCTION

DESCRIPTION  
3300

Noosa 6 Drawer Chest

STEP 10



10X  
B



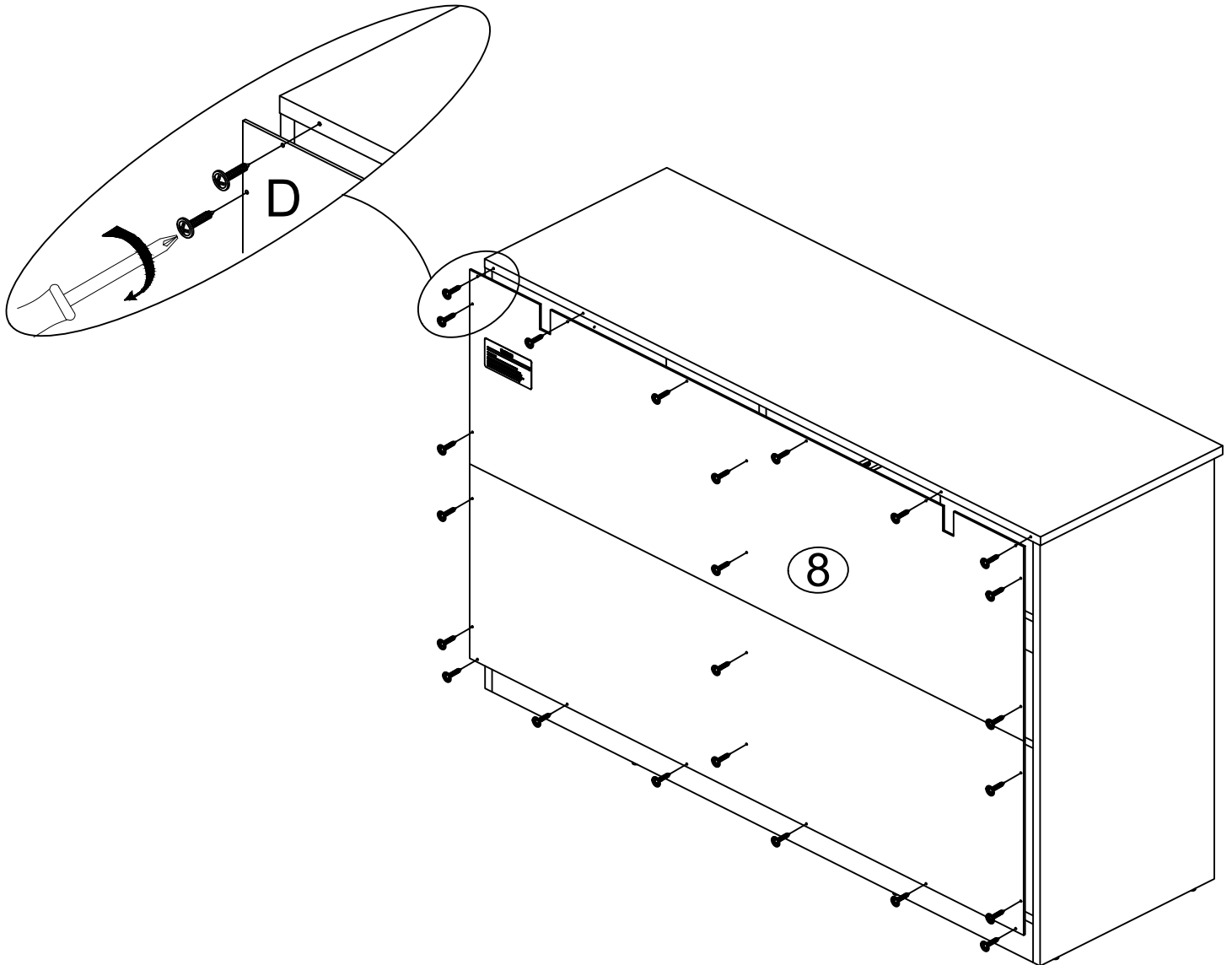
8X  
C

# ASSEMBLY INSTRUCTION

DESCRIPTION  
3300

Noosa 6 Drawer Chest

STEP 11

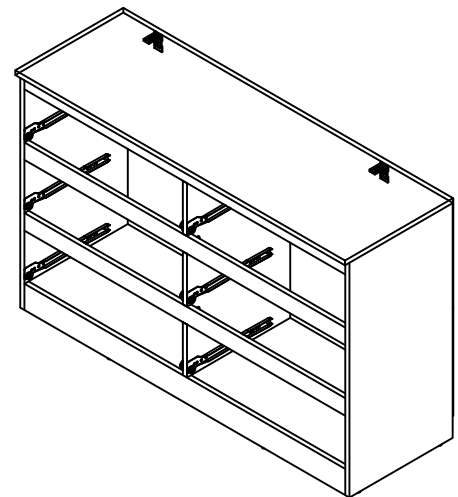
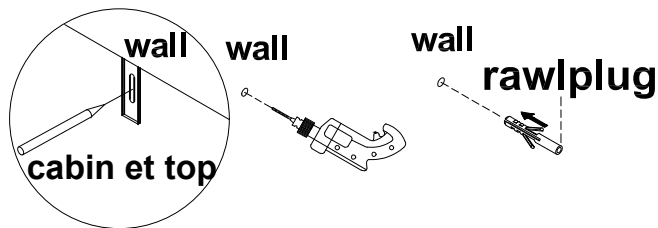


24X  
D

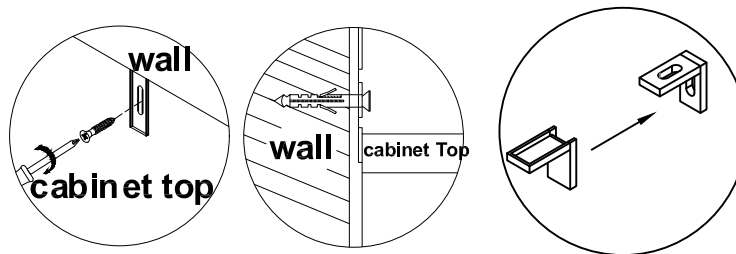
#### STEP 12

### FITTING OF ANTI-TIP

Make a mark on the wall through the strap.



STEP 2:  
Insert screw through strap into hole in wall



Drill a hole in the wall and insert the rawlplug

NOTE: wall fixings are not supplied with this product as different wall materials require different types of fixing devices (such as Rawl plugs on brick work). you must use fixing devices suitable for the type of wall you intend to mount this product. Please ensure that the head of any screw used has a diameter greater than the diameter of the mounting hole on the product and that the fixing is safe and secure before use.

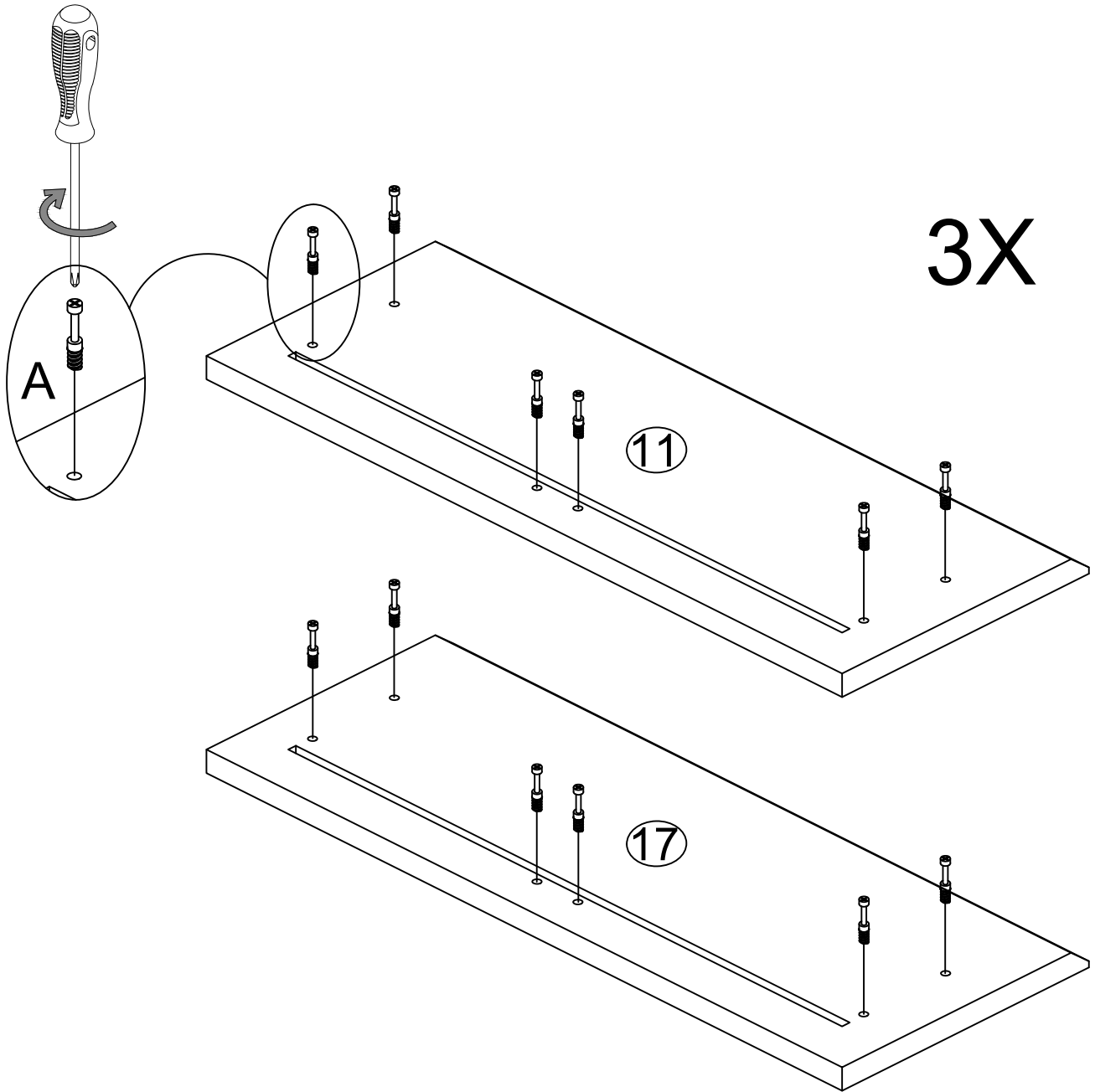
The screw supplied is to fix the bracket to the cabinet.

# ASSEMBLY INSTRUCTION

DESCRIPTION  
3300

Noosa 6 Drawer Chest

STEP 13



36X

A

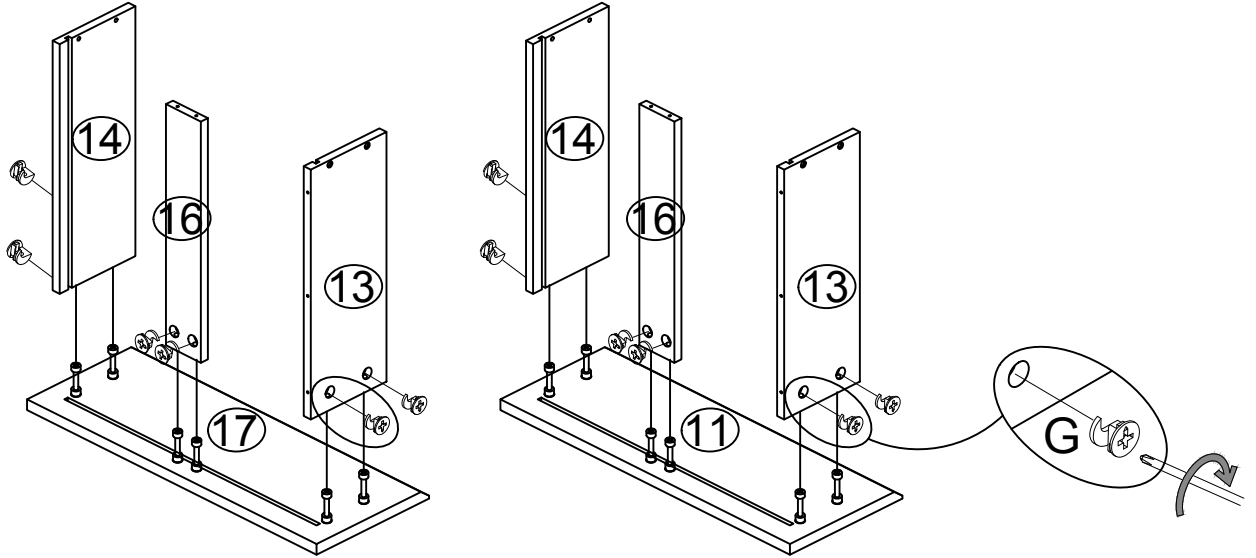
# ASSEMBLY INSTRUCTION

DESCRIPTION  
3300

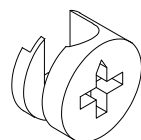
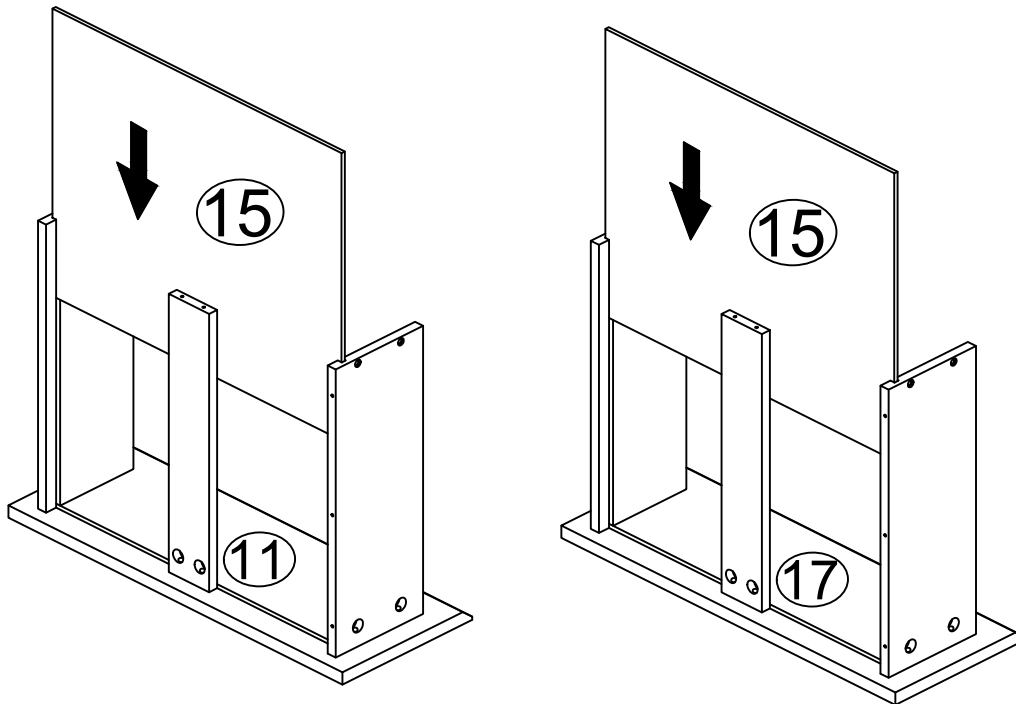
Noosa 6 Drawer Chest

STEP 14

3X



3X



36X  
G

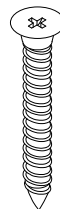
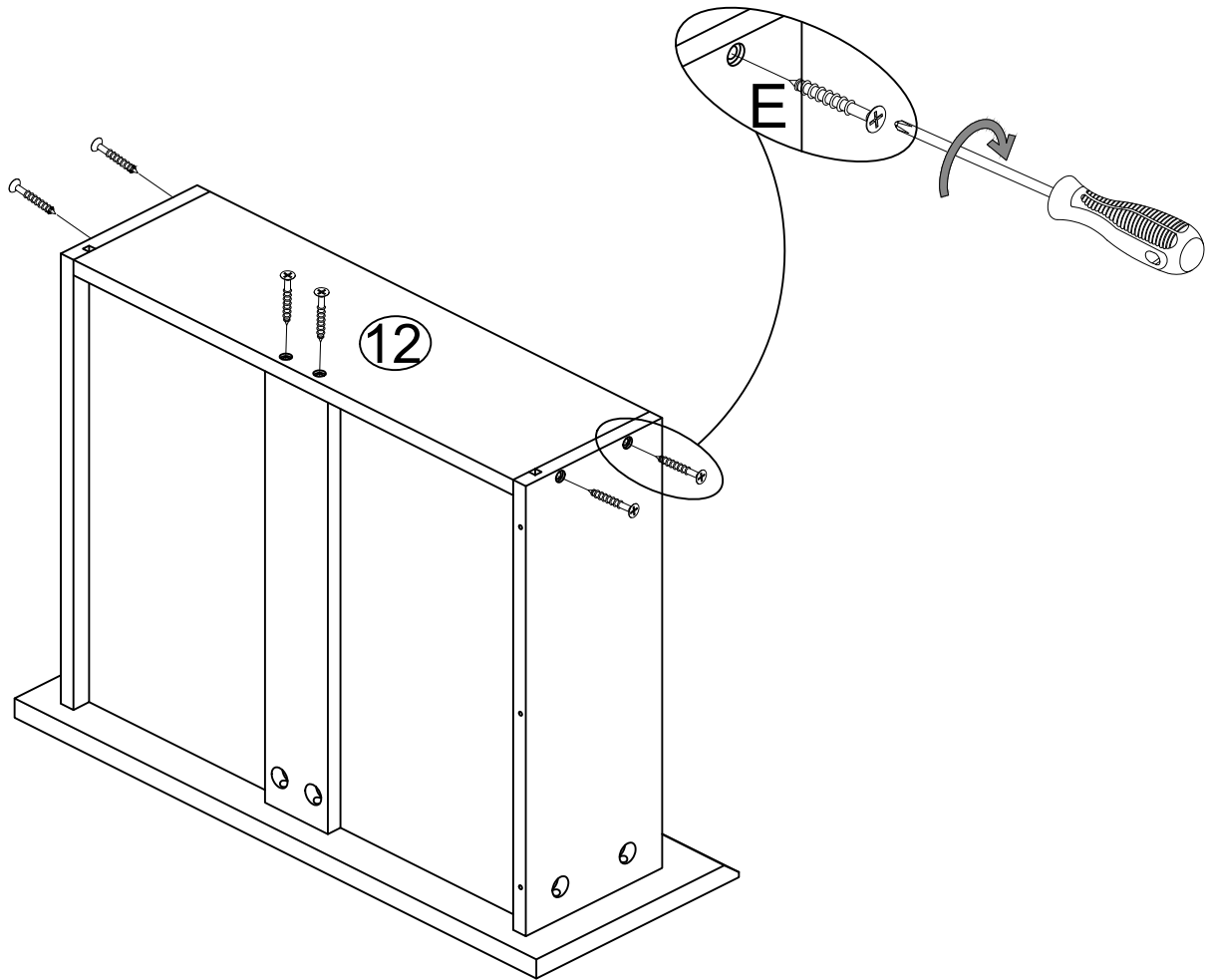
# ASSEMBLY INSTRUCTION

DESCRIPTION  
3300

Noosa 6 Drawer Chest

STEP 15

6X



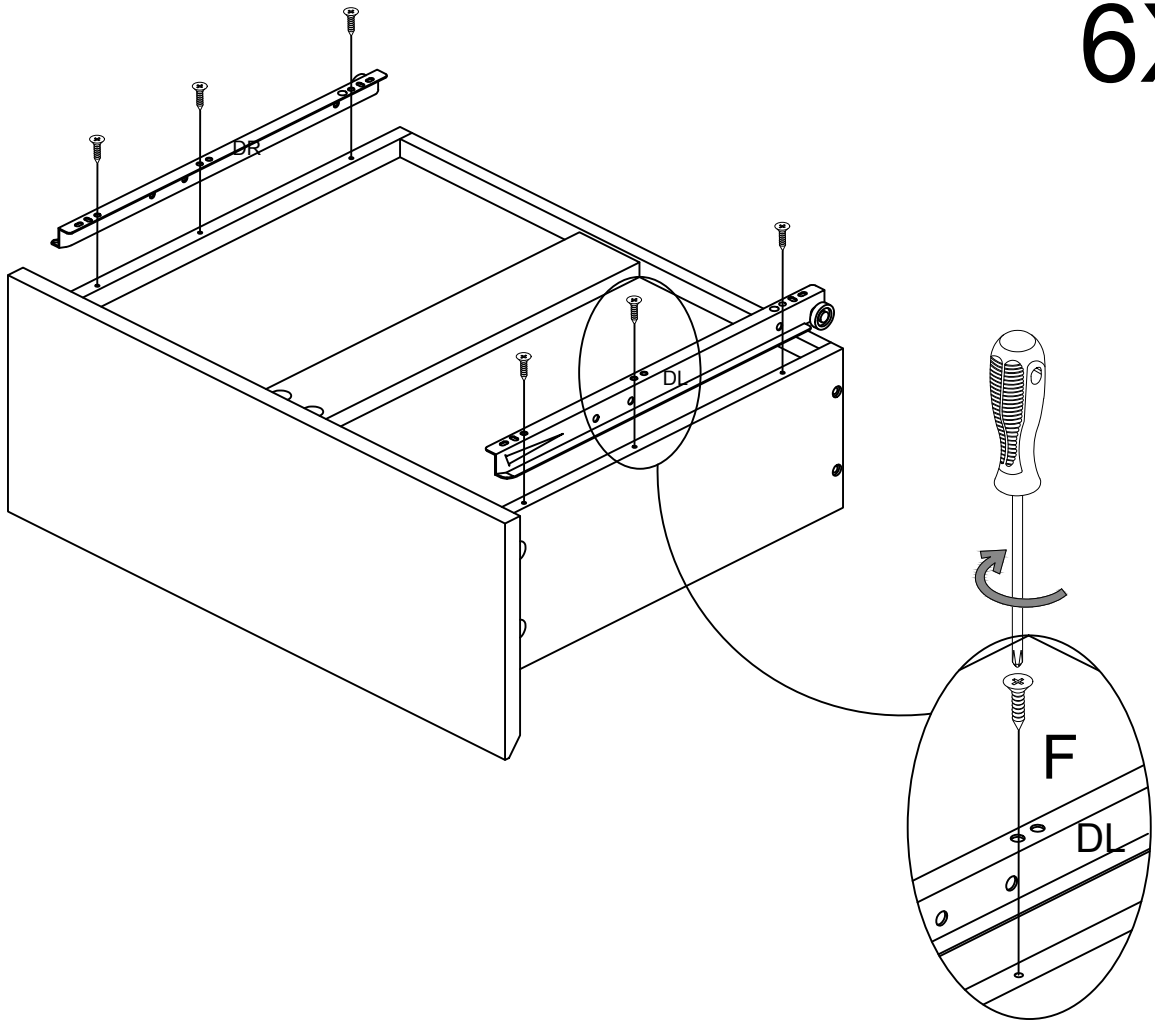
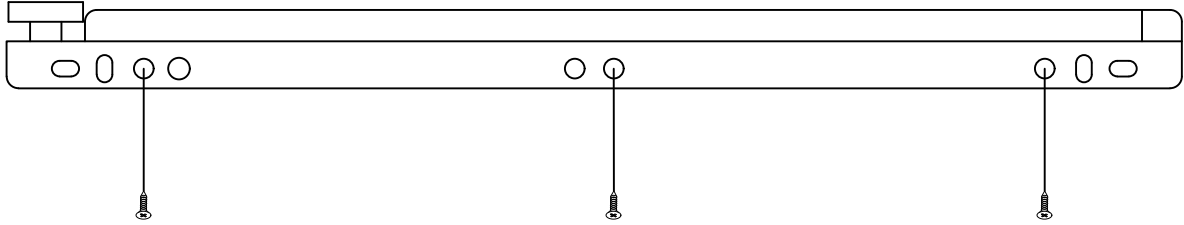
36X  
E

# ASSEMBLY INSTRUCTION

DESCRIPTION  
3300

Noosa 6 Drawer Chest

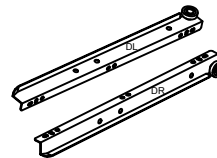
STEP 16



6X



36X  
F



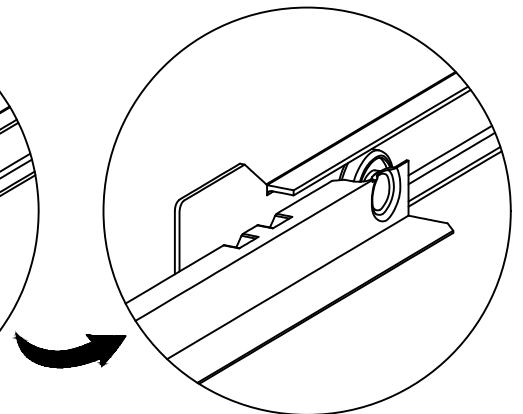
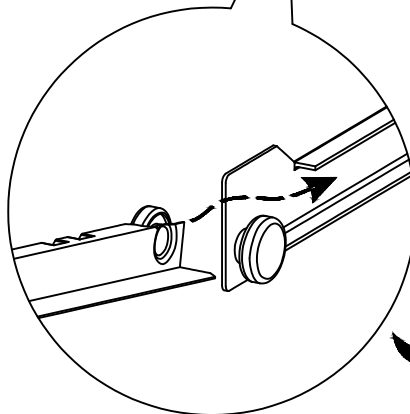
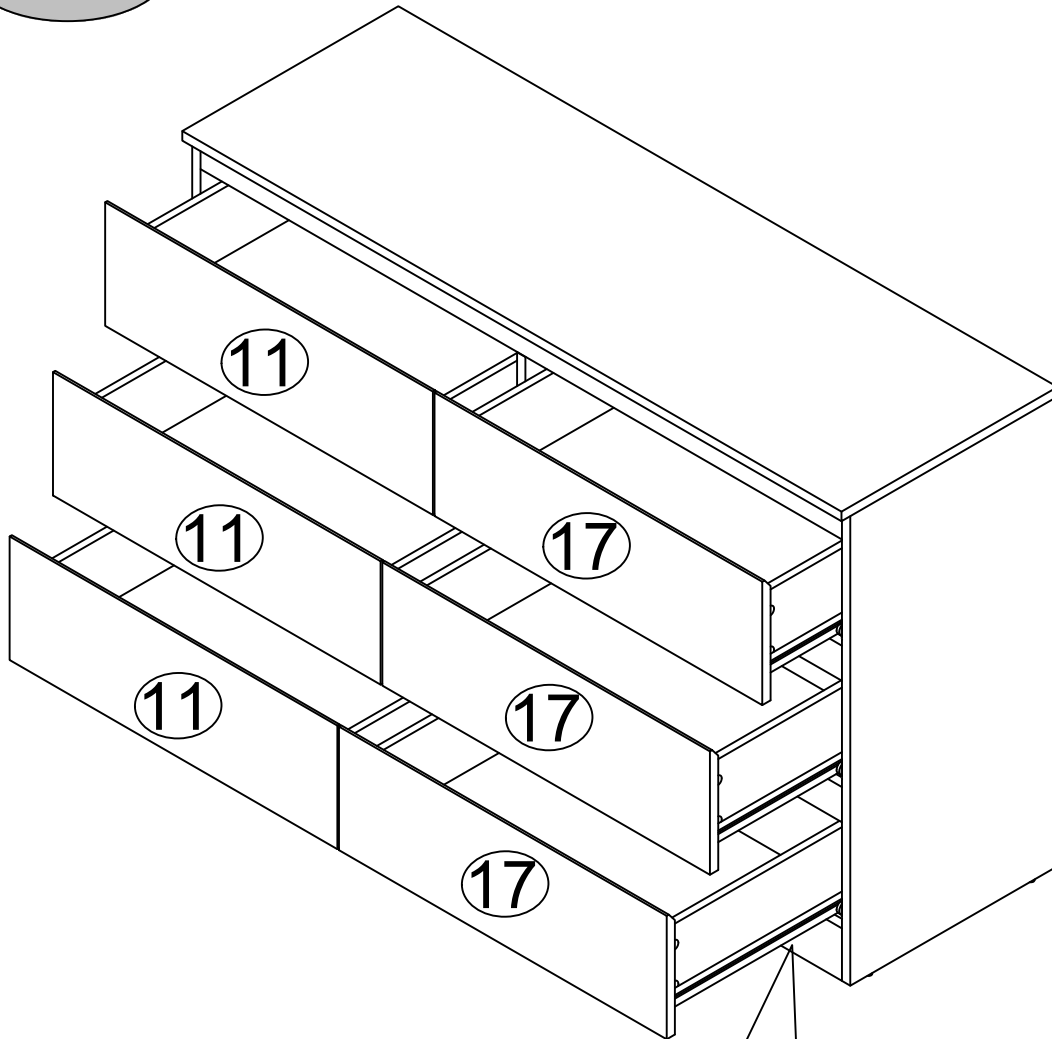
6X  
J

# ASSEMBLY INSTRUCTION

DESCRIPTION  
3300

Noosa 6 Drawer Chest

STEP 17



# ASSEMBLY INSTRUCTION

DESCRIPTION  
3300

Noosa 6 Drawer Chest

STEP 18

