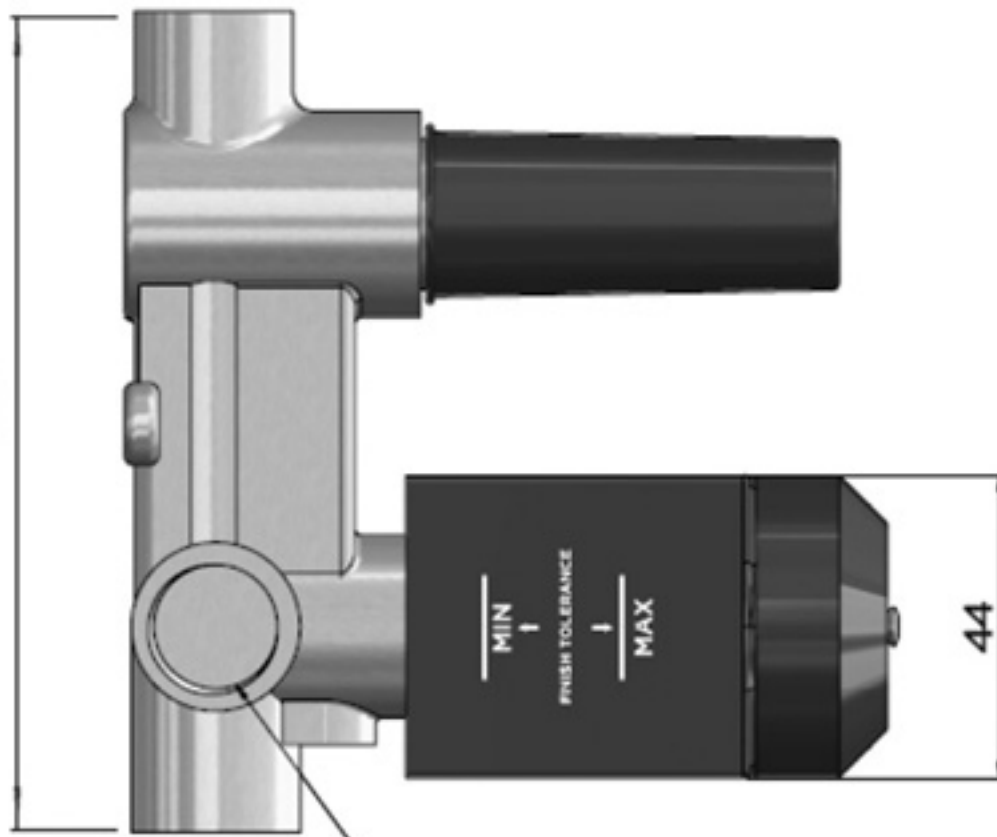
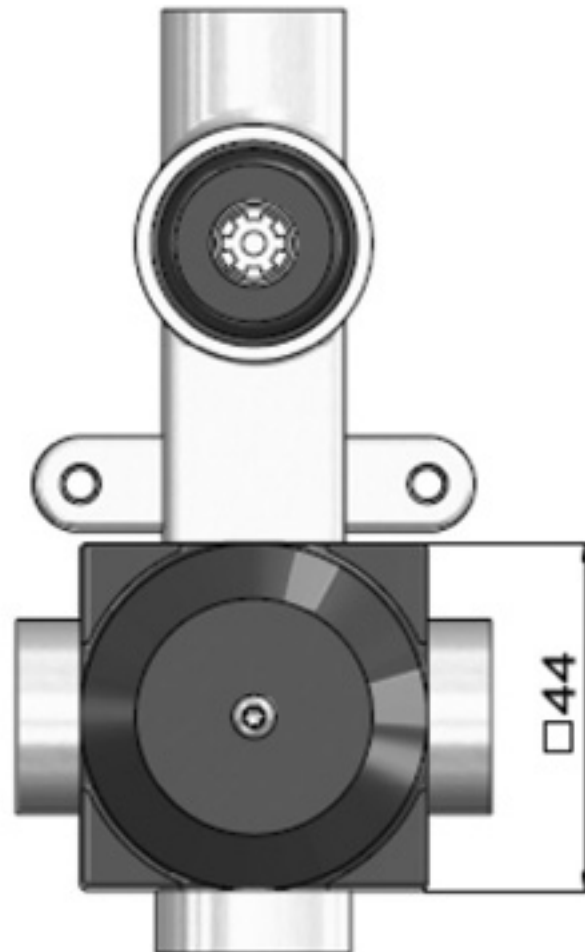


126



44

G1/2" Thread



□44