

# MB04 BASIN MIXER

meir®



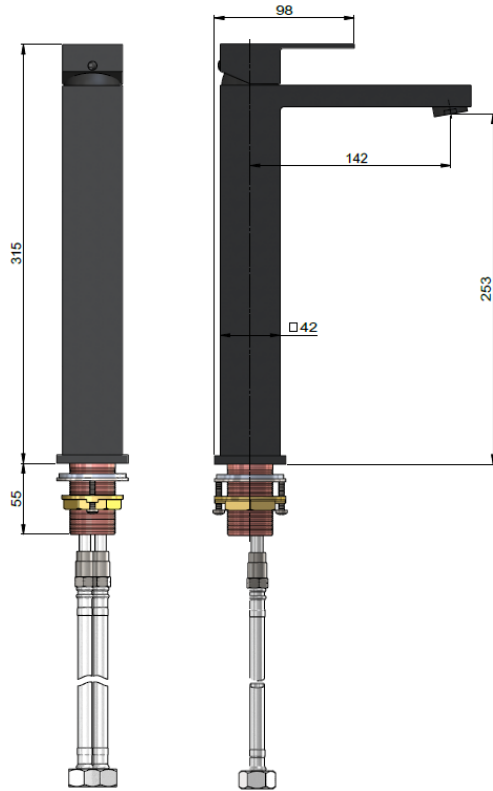
## FEATURES

- Refer to the Meir website for warranty terms & conditions, and available finishes.
- Flow rate 5L p/m at 3 bar pressure.
- European ceramic cartridge
- Solid brass construction
- Box Weight **2.6 kg**

## CARE

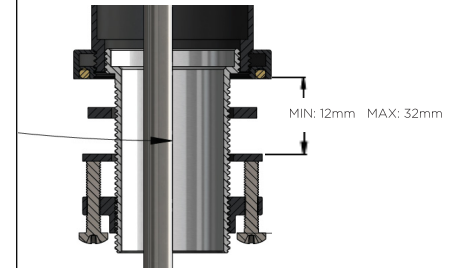
- Do not install tapware using any form of acetone silicones.
- Do not apply physical items (such as tools) directly to product.
- Never use house-hold or commercial detergents, citrus based cleaners, or abrasive cleaners.
- Clean using a mild washing soap solution rinsed, and dry with a soft cloth.
- Check for any product defects before installation.
- Refer to the installation manual for correct installation.

## SPECIFICATIONS



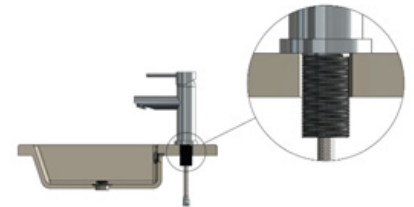
## TOLERANCES

### Surface Tolerance

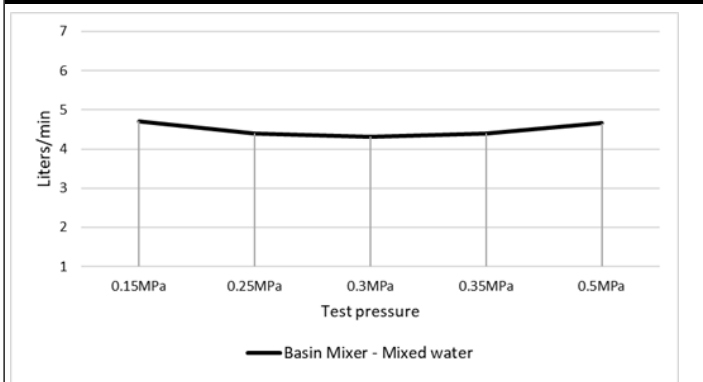


### Hole Diameter

MIN: 34mm MAX: 42mm



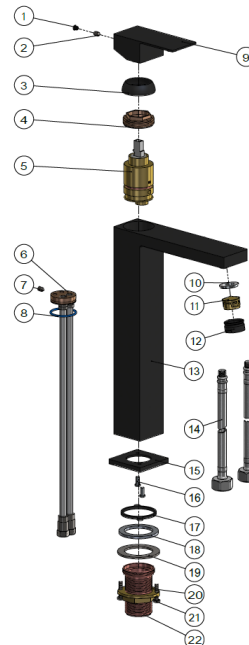
## FLOW RATE GRAPH



## CREDENTIALS

- WaterMark AS/NZS 3718:2005
- 5-star WELS rated
- 6 lltres p/minute
- WELS registration No: T36011

## EXPLODED VIEW



No.	Part Name
1	Decor Knob
2	Grub Screw
3	Decor Cover
4	Nut
5	D35 Cartridge
6	Cartridge Base
7	Screw
8	O-ring
9	Handle
10	Flat Washer
11	Aerator
12	Aerator Shell
13	Body
14	Inlet Hose
15	Base
16	Screw
17	Rubber Ring
18	Flat Washer
19	Washer
20	Mount Nut
21	Bolt
22	Thread Tube