

MCO1

BATH WALL SPOUT MIXER

meir®



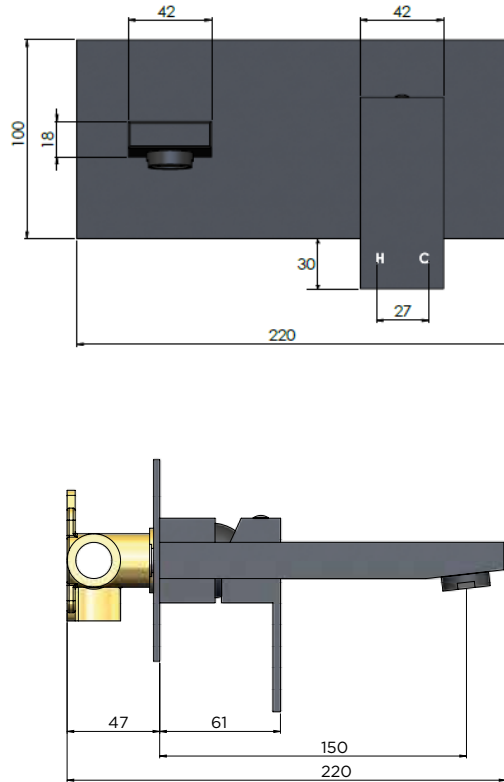
FEATURES

- Refer to the Meir website for warranty terms & conditions, and available finishes.
- Flow rate 16L p/m at 3 bar pressure.
- European components and cartridge
- Solid brass construction
- Box Weight 2.5 Kg

CARE

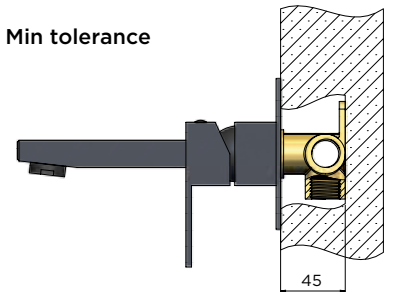
- Do not install tapware using any form of acetone silicones.
- Do not apply physical items (such as tools) directly to product.
- Never use house-hold or commercial detergents, citrus based cleaners, or abrasive cleaners.
- Clean using a mild washing soap solution rinsed, and dry with a soft cloth.
- Check for any product defects before installation.
- Refer to the installation manual for correct installation.

SPECIFICATIONS

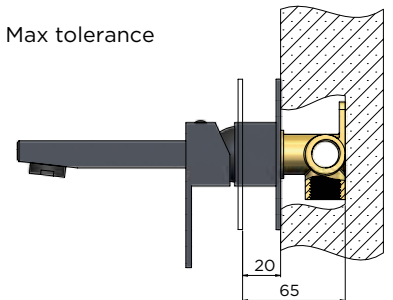


TOLERANCES

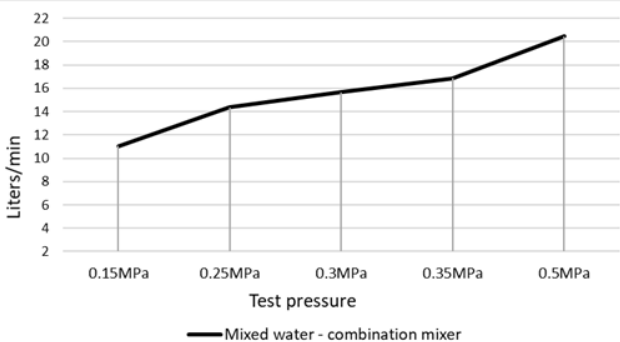
Min tolerance



Max tolerance



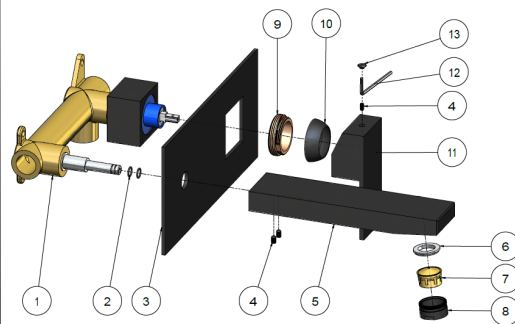
FLOW RATE GRAPH



CREDENTIALS

- Watermark AS/NZS3718WMKA25013

EXPLODED VIEW



No.	Part Name
1	Body
2	O-ring
3	Back Plate
4	Screw
5	Spout
6	Flat Washer
7	Aerator
8	Aerator Shell
9	Nut
10	Decor Cover
11	Handel
12	Allen Key
13	Decor Knob