

meir®

HANDLE VARIANTS



Paddle: MB04PD-R2

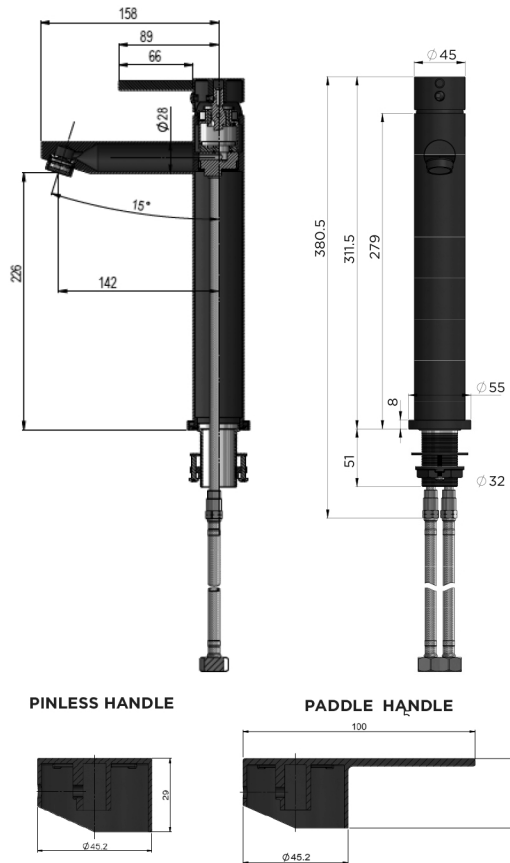
Pinless: MB04PN-R2



CARE

- Do not install tapware using any form of acetone silicones.
- Do not apply physical items (such as tools) directly to product.
- Never use house-hold or commercial detergents, citrus based cleaners, or abrasive cleaners.
- Clean using a mild washing soap solution rinsed, and dry with a soft cloth.
- Check for any product defects before installation.
- Refer to the installation manual for correct installation.

SPECIFICATIONS

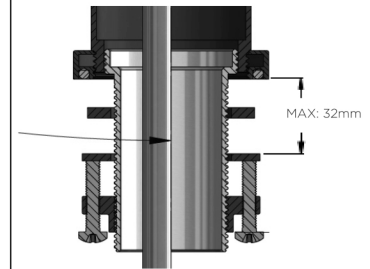


PINLESS HANDLE

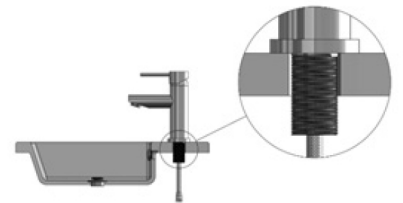
PADDLE HANDLE

TOLERANCES

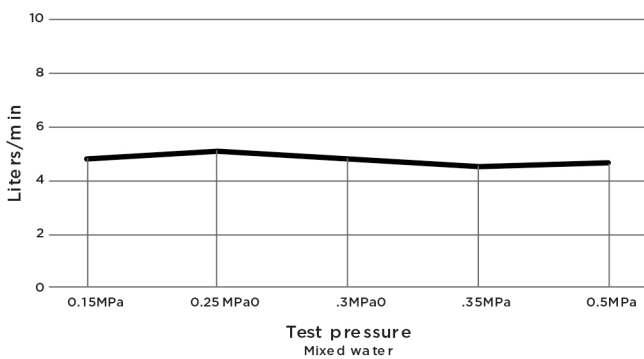
Surface Tolerance



Hole Diameter
MIN: 34mm MAX: 42mm



FLOW RATE GRAPH



CREDENTIALS

- WaterMark AS/ NZS 3718:2005
- 5-star WELS rated
- 6 litres p/ minute
- WELS registration No: T37609

EXPLODED VIEW

