

# meir®

## HANDLE VARIANTS



Paddle: MB02PD

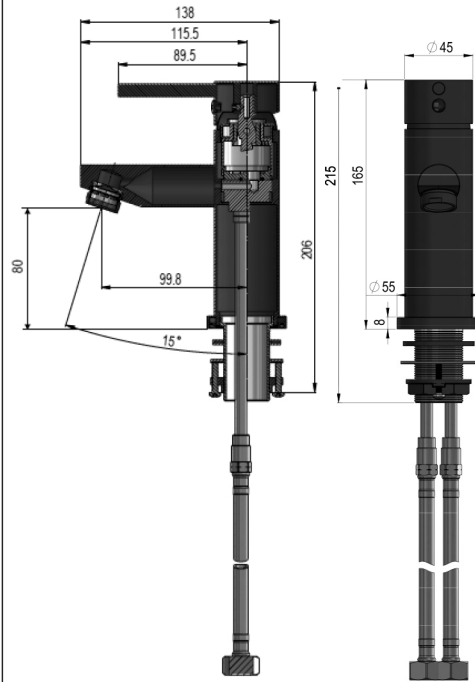


Pinless: MB02PN

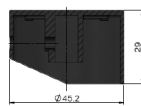
## CARE

- Do not install tapware using any form of acetone silicones.
- Do not apply physical items (such as tools) directly to product.
- Never use house-hold or commercial detergents, citrus based cleaners, or abrasive cleaners.
- Clean using a mild washing soap solution rinsed, and dry with a soft cloth.
- Check for any product defects before installation.
- Refer to the installation manual for correct installation.

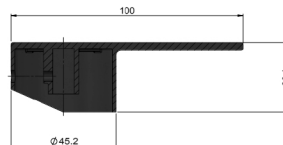
## SPECIFICATIONS



PINLESS HANDLE

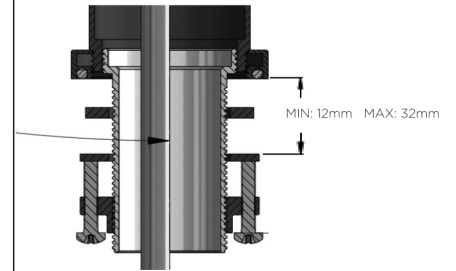


PADDLE HANDLE



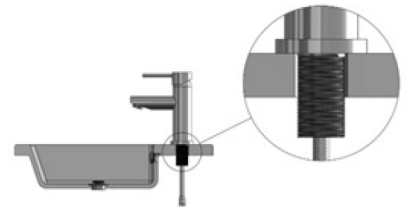
## TOLERANCES

### Surface Tolerance

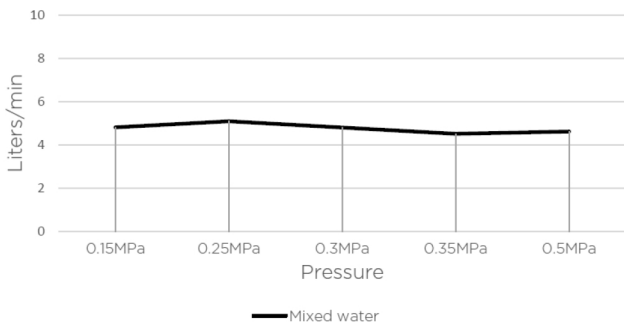


### Hole Diameter

MIN: 34mm MAX: 42mm



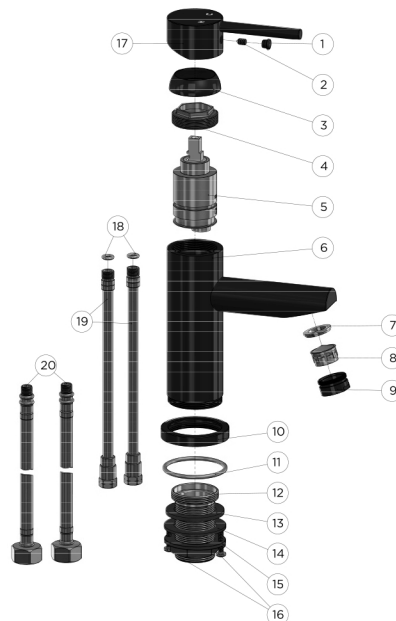
## FLOW RATE GRAPH



## CREDENTIALS

- WaterMark AS/ NZS 3718:2005
- 5-star WELS rated
- 6 litres p/ minute
- WELS registration No: T37607

## EXPLODED VIEW



1. Decor knob
2. Screw
3. Decor cover
4. Nut
5. D35 cartridge
6. Welding body
7. Flat washer
8. Aerator
9. Aerator shell
10. Base
11. O-ring
12. Thread tube
13. Flat washer
14. Washer
15. Mount nut
16. Bolt
17. Handle
18. O-ring
19. Connecting tube
20. Inlet hose connector knob