

# MW08JL

## WALL TOP ASSEMBLY

meir®

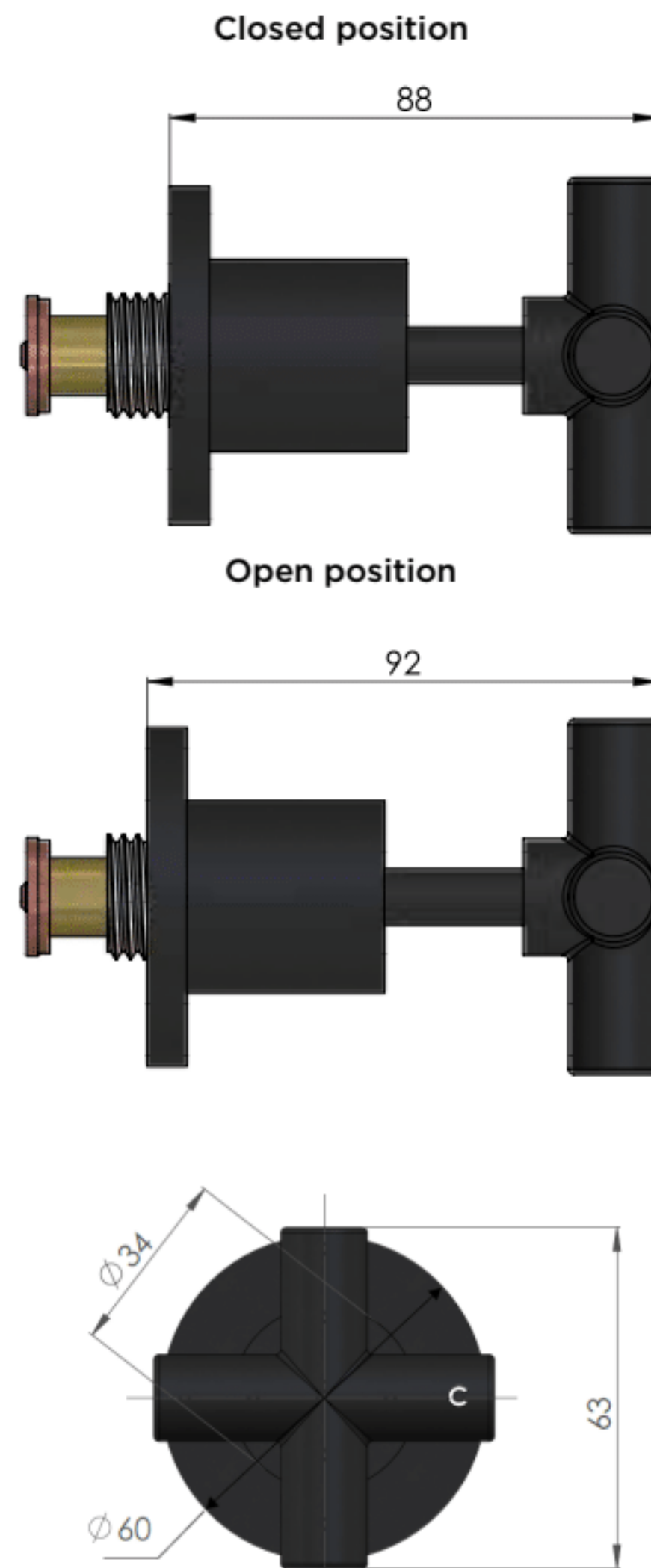
### FEATURES

- Refer to the Meir website for warranty terms & conditions.
- Jumper-valve spindle
- Solid brass construction
- Box Weight 1Kg

### CARE

- Do not install tapware using any form of acetone silicones.
- Do not apply physical items (such as tools) directly to product.
- Never use house-hold or commercial detergents, citrus based cleaners, or abrasive cleaners.
- Clean using a mild washing soap solution rinsed, and dry with a soft cloth.
- Check for any product defects before installation.
- Refer to the installation manual for correct installation.

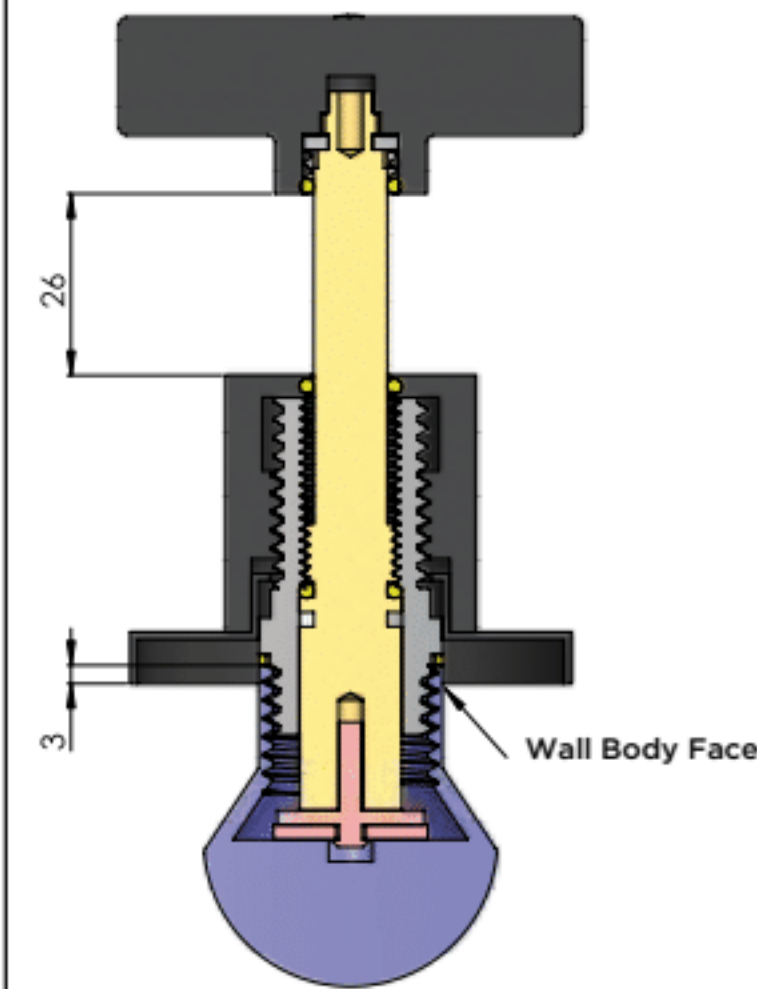
### SPECIFICATIONS



### TOLERANCES

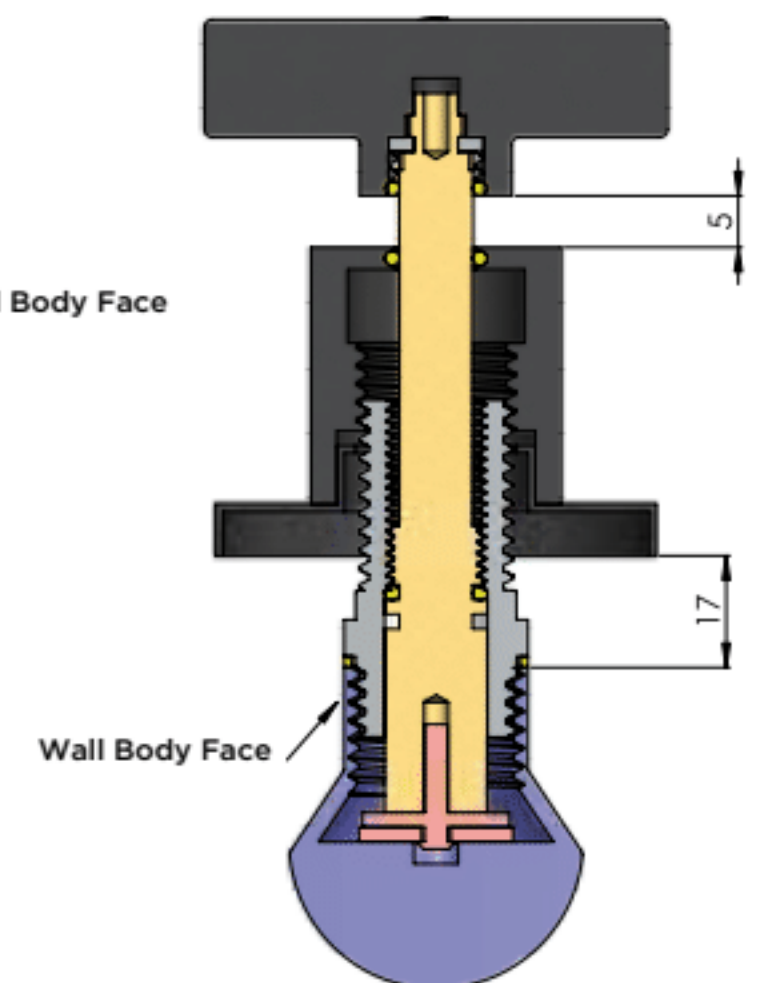
MIN

Tolerance below body face

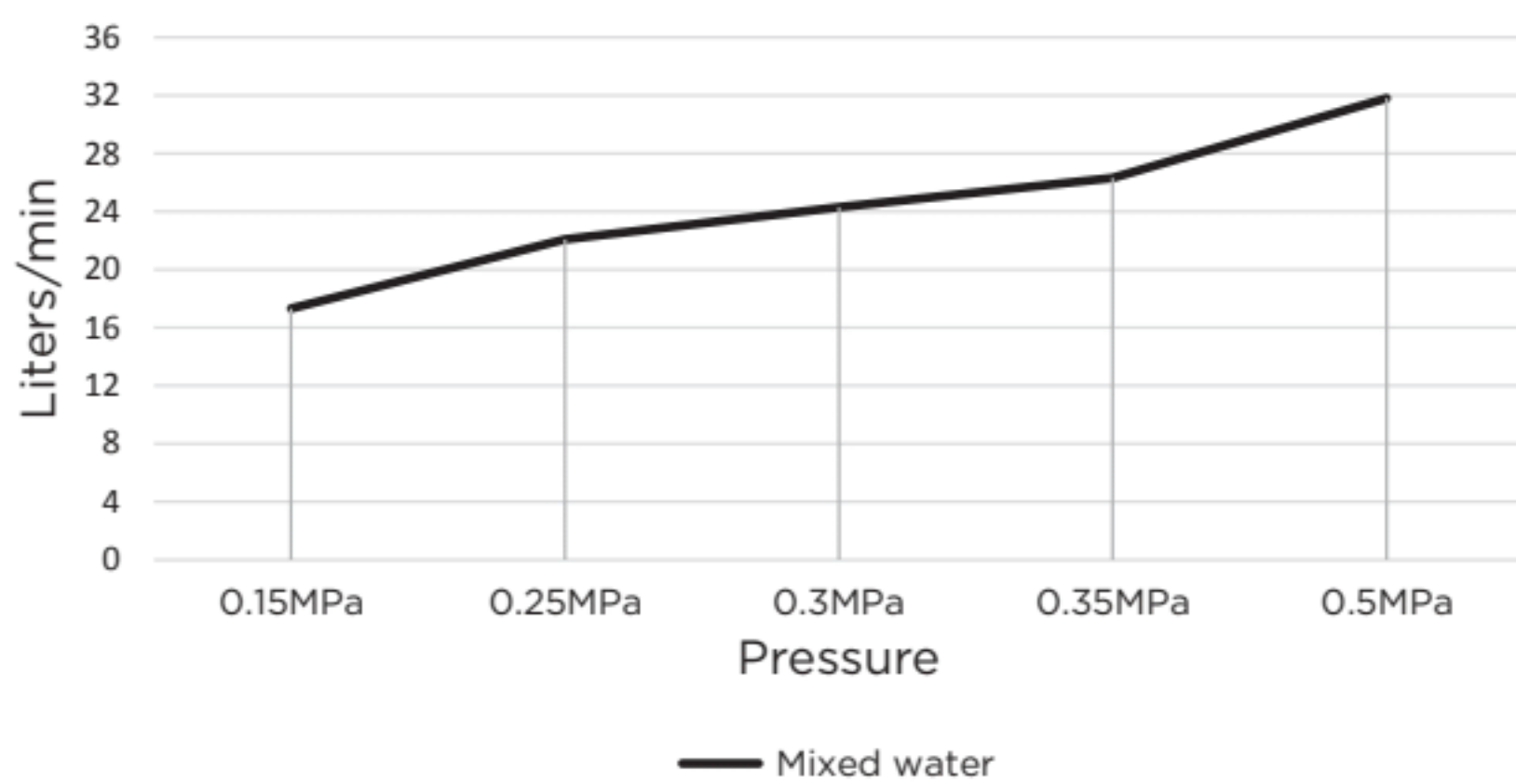


MAX

Tolerance above body face

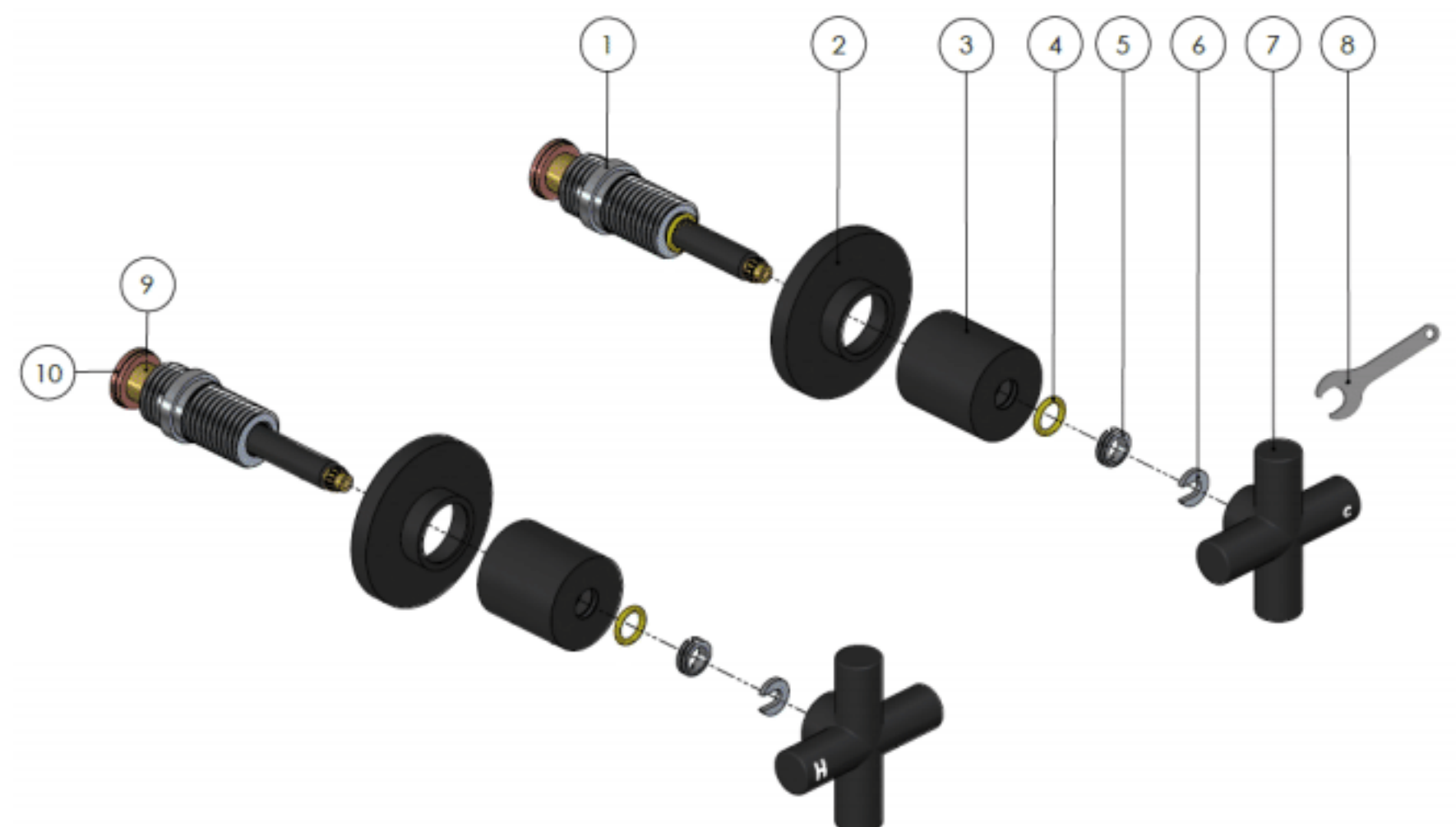


### FLOW RATE GRAPH



### CREDENTIALS

- Watermark AS/NZS 3718 WMKA25013



NO.	Part- Name
1	Spindle
2	Back plate
3	Body
4	O-ring
5	Nut
6	Washer
7	Handle
8	Installation tool
9	jumper valve
10	fiber washer