

MS07

ROUND HIGH RISE SPOUT

meir®



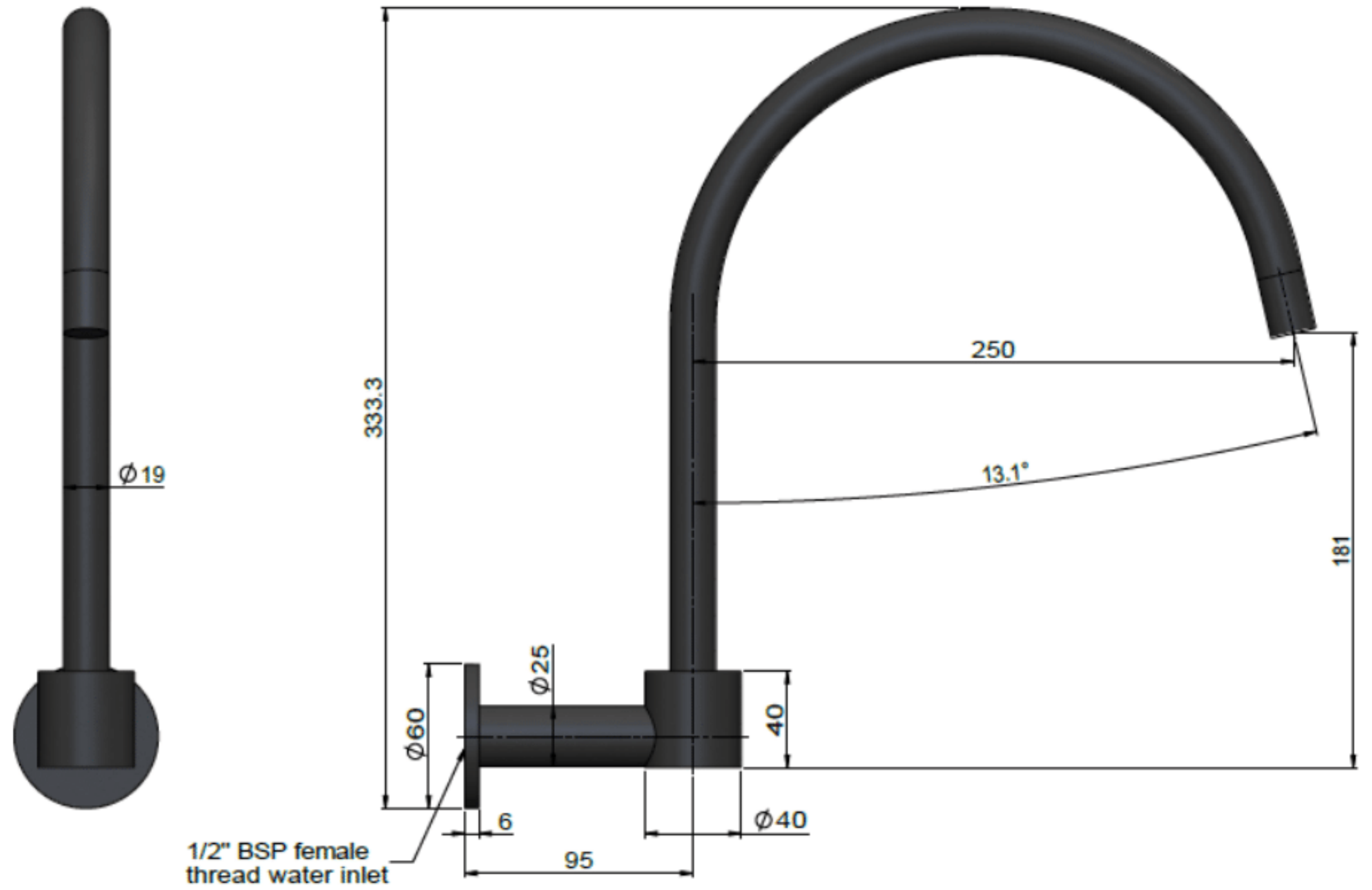
FEATURES

- Refer to the Meir website for warranty terms & conditions.
- Flow rate 25L p/m
- European components and cartridge
- Solid brass construction
- Box Weight 1.9 kg
- 68mm long 1/2" threaded adapter included

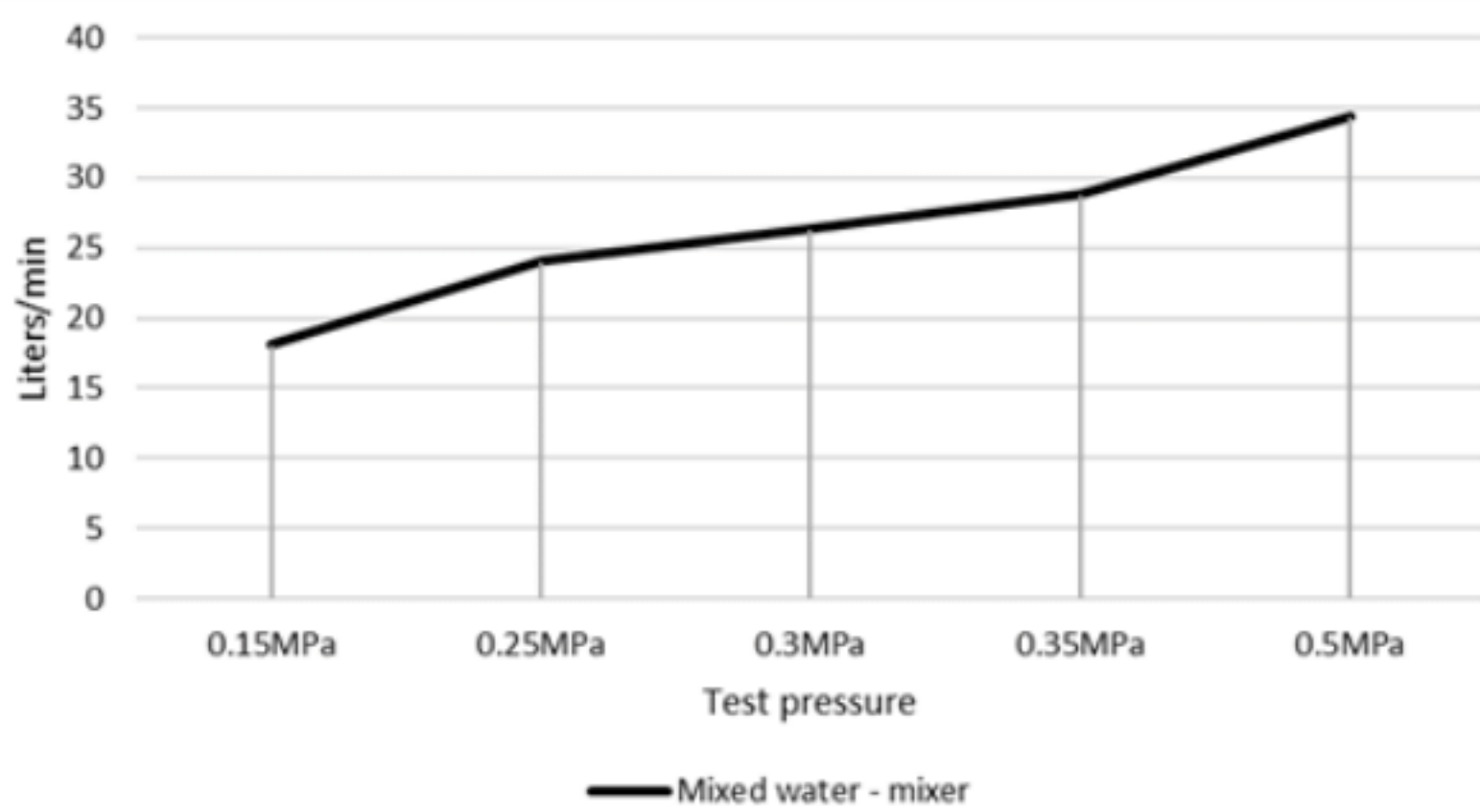
CARE

- Do not install tapware using any form of acetone silicones.
- Do not apply physical items (such as tools) directly to product.
- Never use house-hold or commercial detergents, citrus based cleaners, or abrasive cleaners.
- Clean using a mild washing soap solution rinsed, and dry with a soft cloth.
- Check for any product defects before installation.
- Refer to the installation manual for correct installation.

SPECIFICATIONS



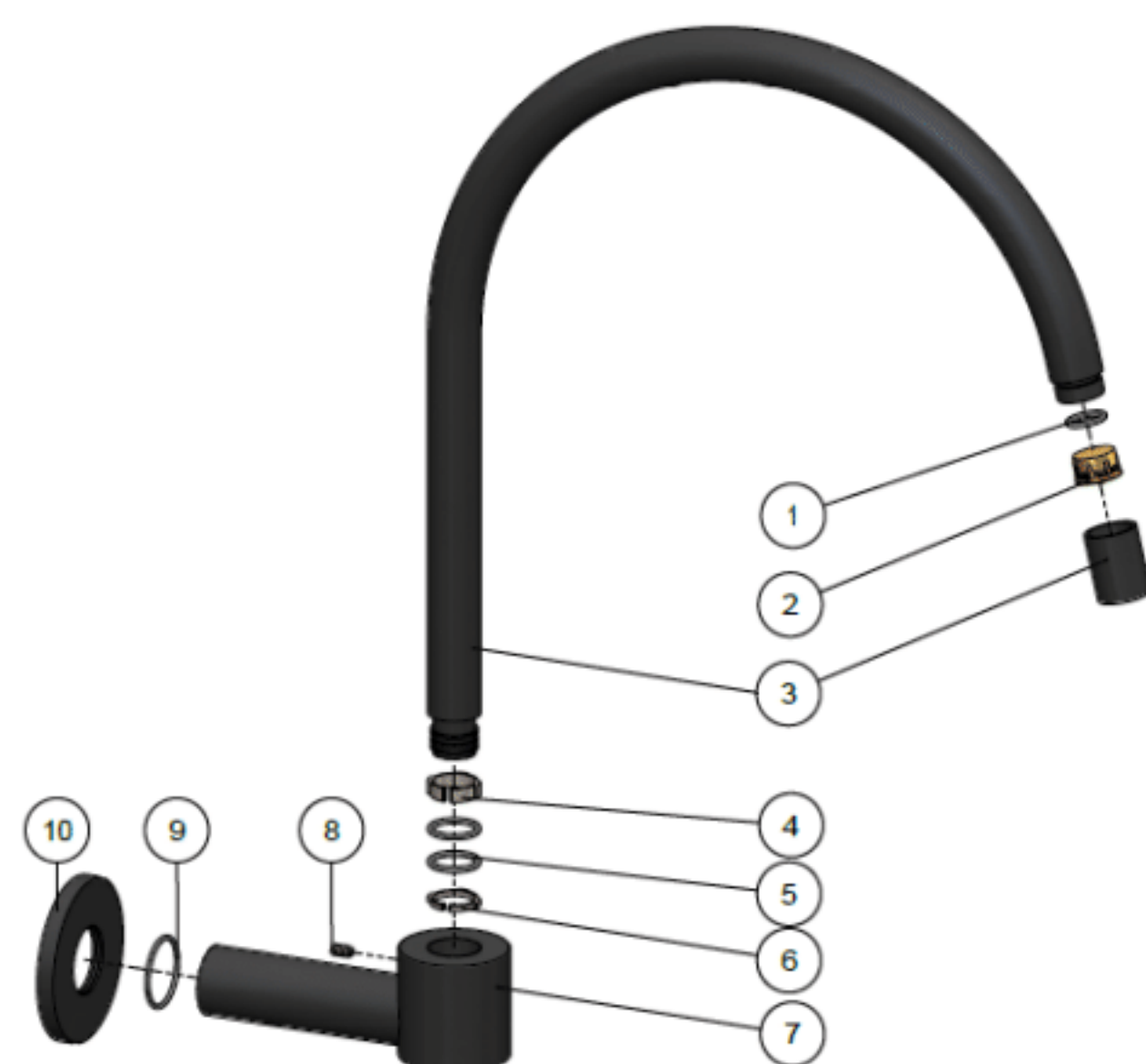
FLOW RATE GRAPH



CREDENTIALS

- Watermark AS/NZS3718WMKA25013

EXPLODED VIEW



| No. | Part Name |
|-----|--------------|
| 1 | O-ring |
| 2 | Aerator |
| 3 | Spout |
| 4 | Wearing Ring |
| 5 | O-ring |
| 6 | Wearing Ring |
| 7 | Base |
| 8 | Screw |
| 9 | O-ring |
| 10 | Back Plate |