

MB04-R2

BASIN MIXER

meir®

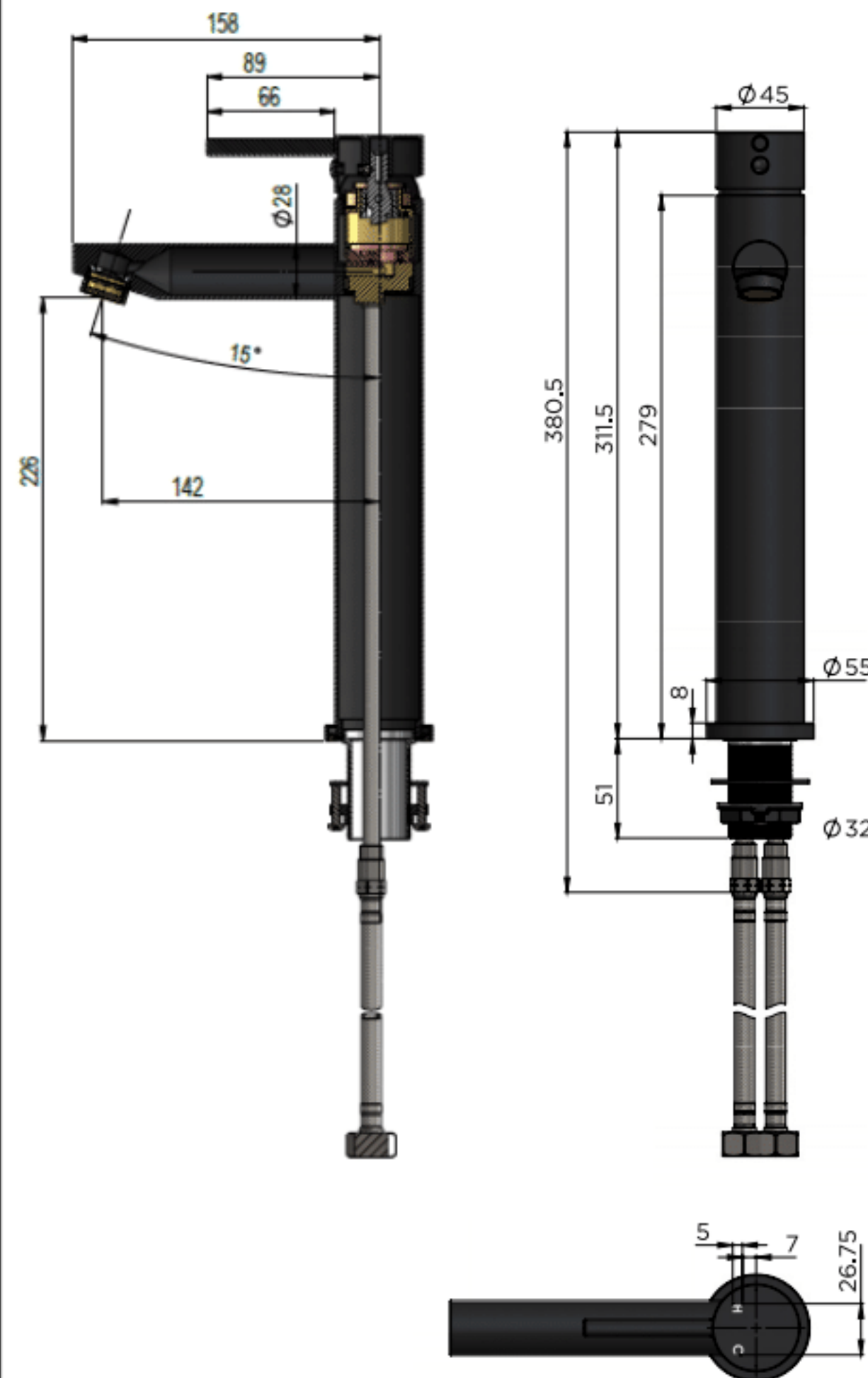
FEATURES

- Refer to the Meir website for warranty terms & conditions.
- Flow rate 5L p/m
- European ceramic cartridge
- Solid brass construction
- Box weight 1.9 KG

CARE

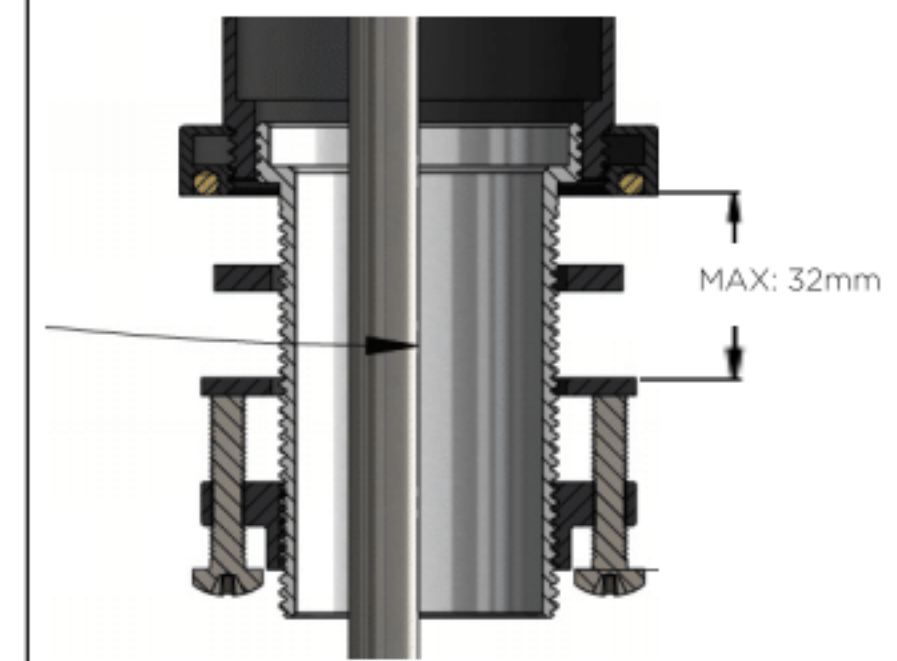
- Do not install tapware using any form of acetone silicones.
- Do not apply physical items (such as tools) directly to product.
- Never use house-hold or commercial detergents, citrus based cleaners, or abrasive cleaners.
- Clean using a mild washing soap solution rinsed, and dry with a soft cloth.
- Check for any product defects before installation.
- Refer to the installation manual for correct installation.

SPECIFICATIONS



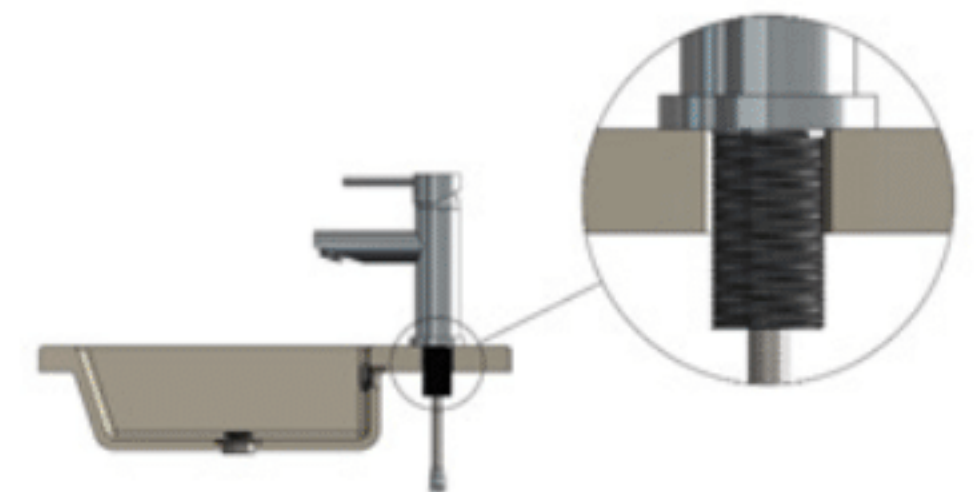
TOLERANCES

Surface Tolerance

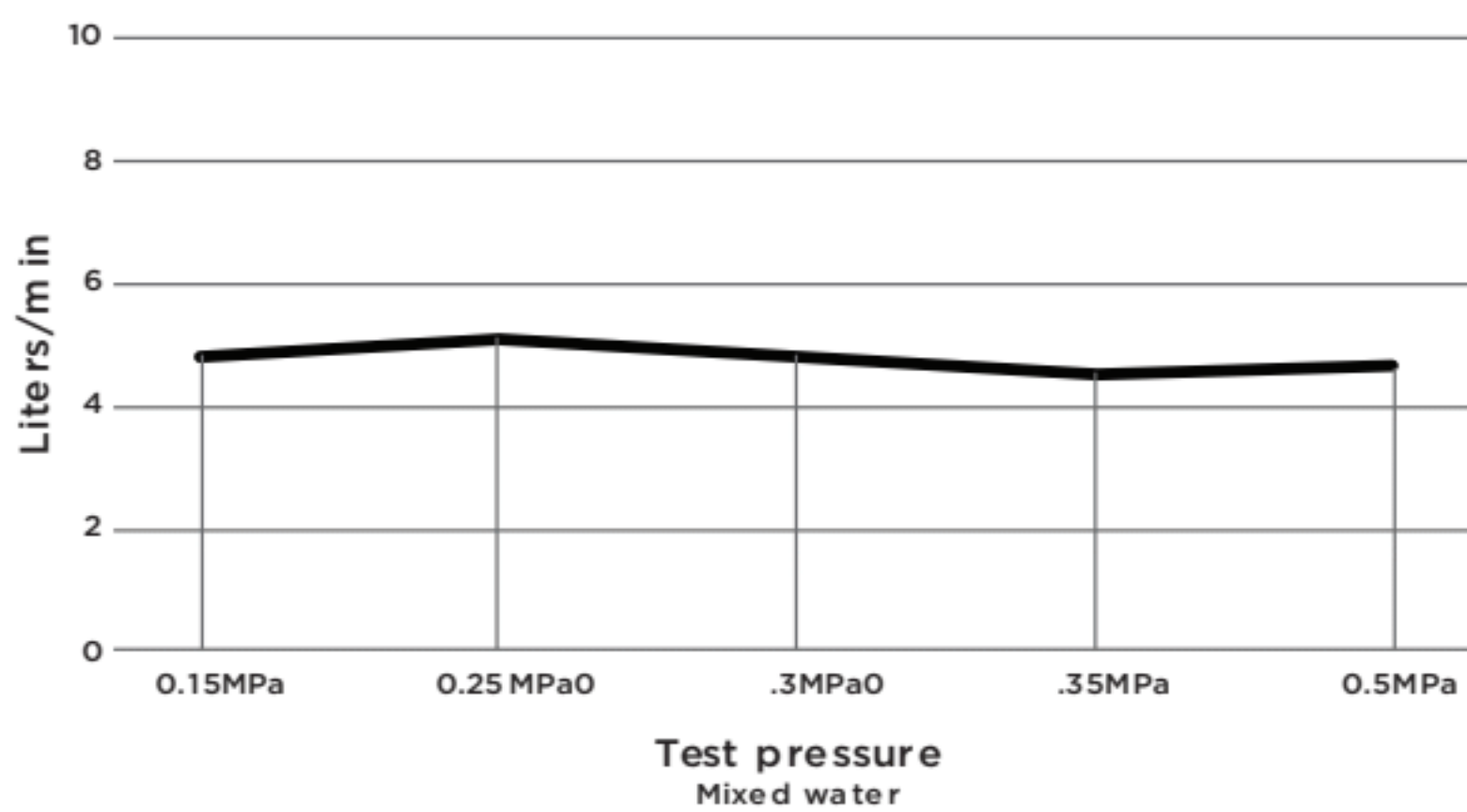


Hole Diameter

MIN: 34mm MAX: 42mm



FLOW RATE GRAPH



CREDENTIALS

- WaterMark AS/NZS 3718:2005
- 5-star WELS rated
- 5 litres p/minute
- WELS registration No: T16781

EXPLODED VIEW

