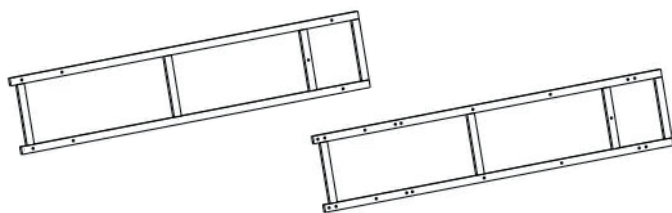
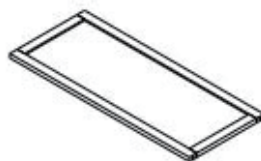


Accessories list



11 Holder 2 pieces

12 Holder 2 pieces



2 Long board 8 pieces



3 Round bar 2 pieces



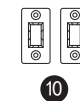
4 Small board 5 pieces



8



9



10



11

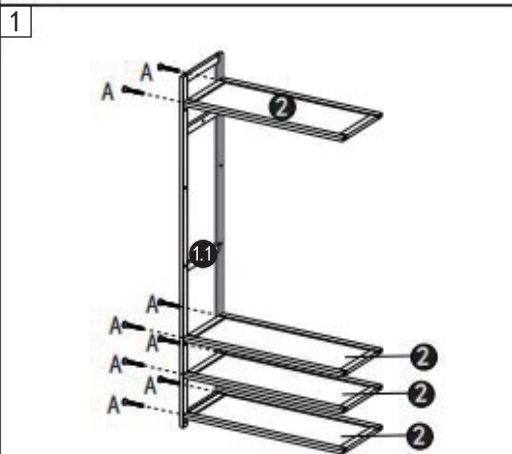


7 Spanner 1 piece

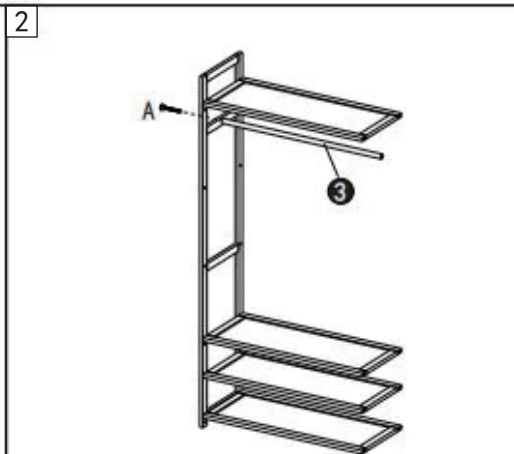


Screw A

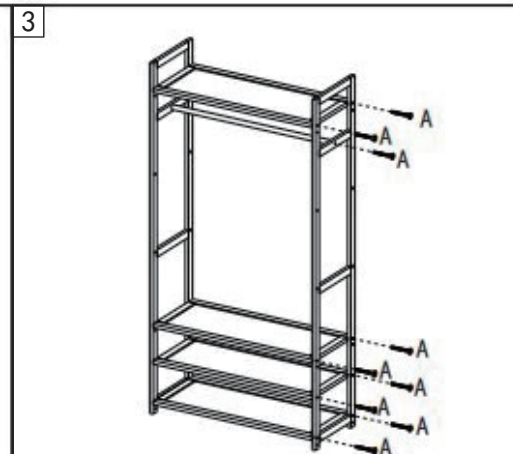
Installation Instruction



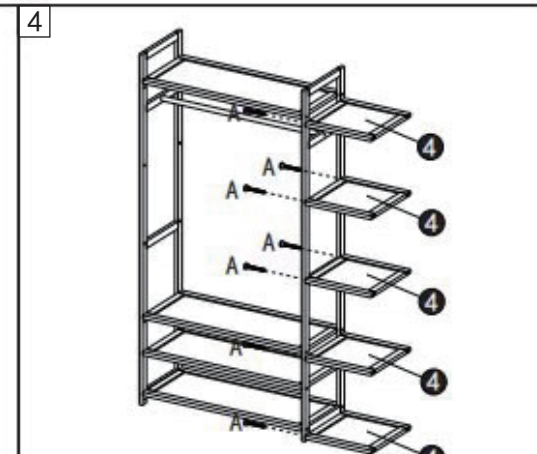
Use screw A to install 2 long boards on 11 holder



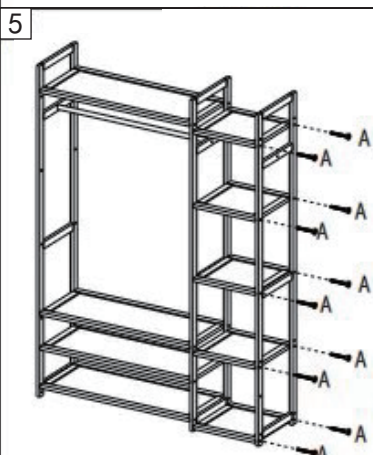
Use screw A to install 3 round bar on 11 holder



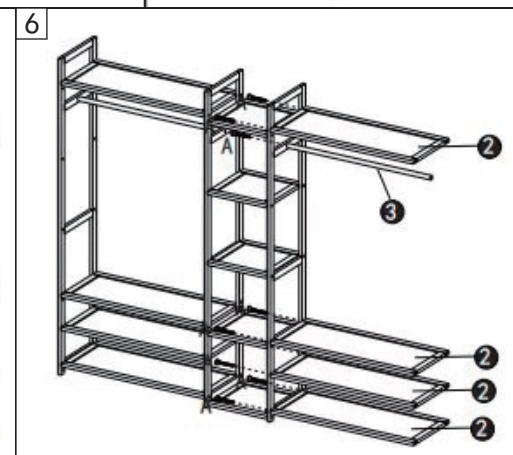
Use screw A to install 12 holder



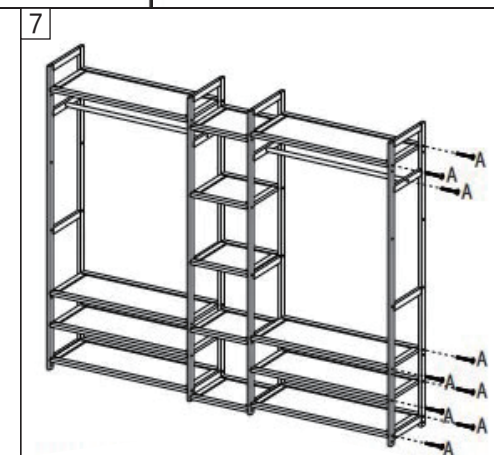
Use screw A to install all 4 small boards on 12 holder



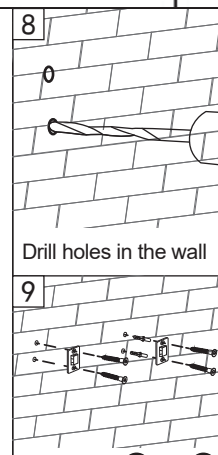
Use screw A to install 12 holder on 4 small boards



Use screw A to install the rest 2 long board and 3 round bar on the 12 holder



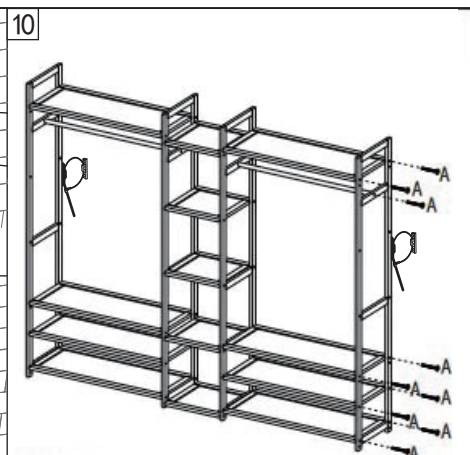
Use screw A to install the 11 holder on the 2 long board and 3 round bar



Drill holes in the wall

9

Use parts 3 plus 9 and 10 to mount on the wall



Use parts 11 to fix the shelf to the wall.

**⚠ WARNING**



**Children have died from furniture tipover.**

- ALWAYS secure this furniture with an anchor device.
- NEVER allow children to stand, climb or hang on drawers, doors, or shelves.
- NEVER open more than one drawer at a time.
- Place heavy items down low.

NEVER put a TV on this furniture



**This is a permanent label. Do not remove!**