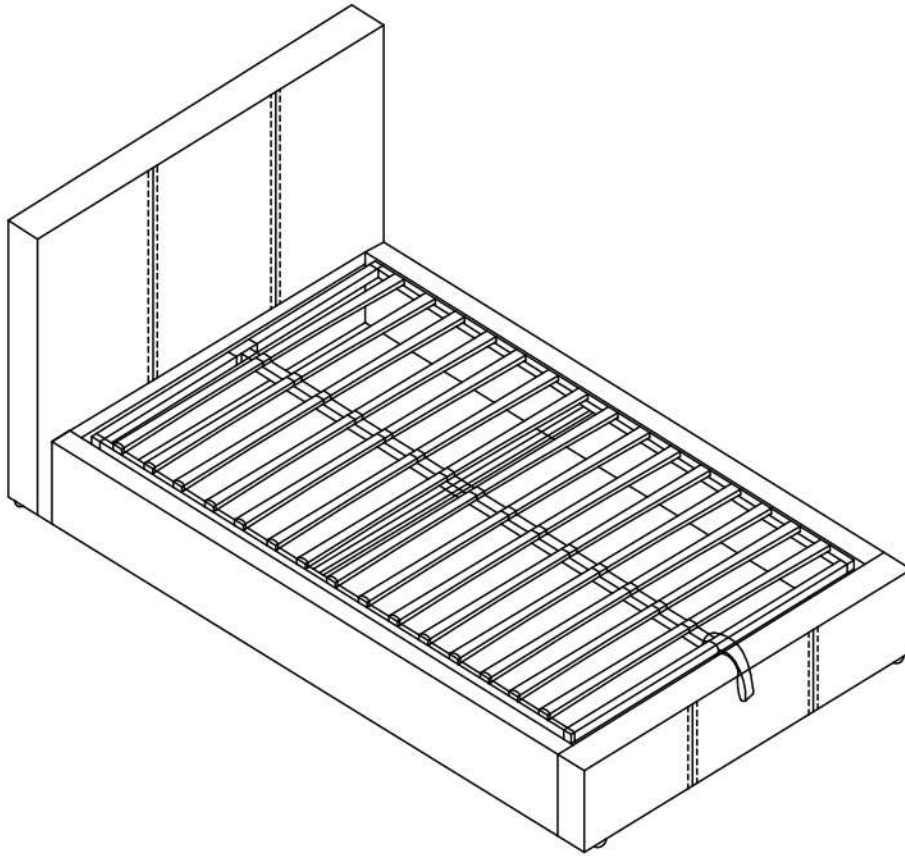


ASSEMBLY INSTRUCTIONS



IMPORTANT PLEASE READ BEFORE YOU CONTINUE FURTHER

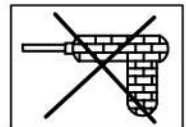
THE PRODUCT YOU HAVE PURCHASED WILL GIVE YOU MANY YEARS OF SERVICE IF YOU FOLLOW THE GUIDELINES FOR ITS SAFE ASSEMBLY AND PERIODIC MAINTENANCE AND CLEANING.

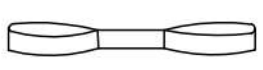
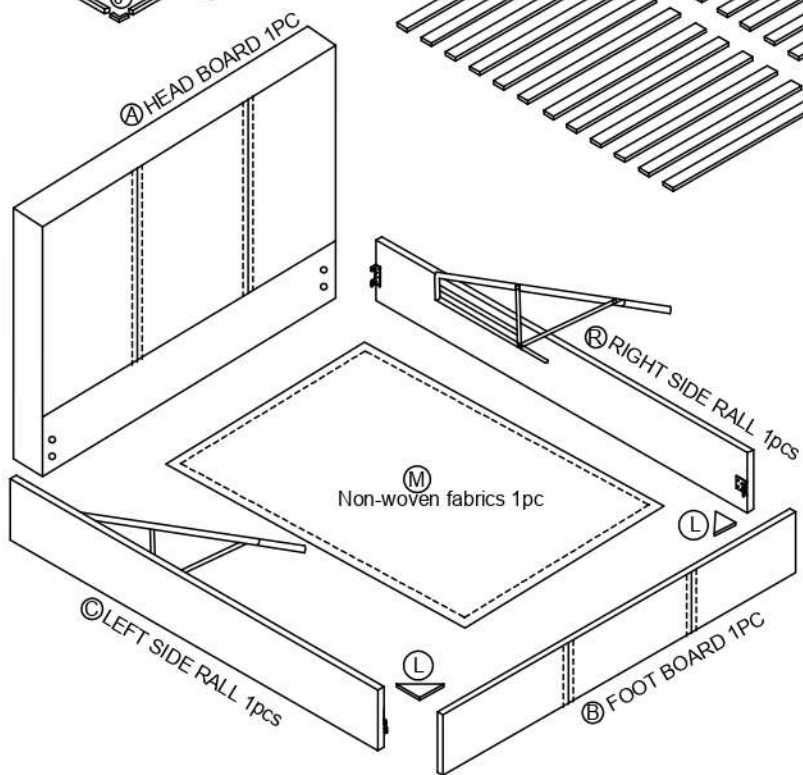
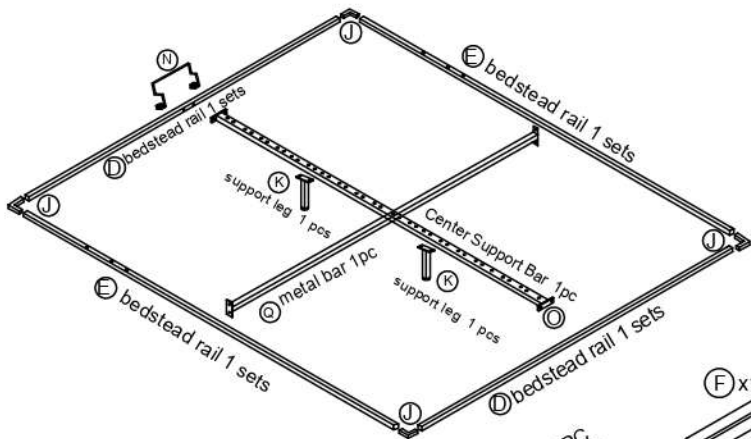
DO NOT FOR ANY REASON USE A POWER TOOL TO ASSEMBLE THIS PRODUCT. ITS USE WILL INVALIDATE ANY CLAIM YOU MAY HAVE AND COULD MAKE THIS PRODUCT UNSAFE.

DEPENDING ON THE AMOUNT OF USE THIS PRODUCT RECEIVES IT MAY BE NECESSARY TO TIGHTEN UP THE FIXINGS FROM TIME TO TIME. THIS IS COMPLETELY NORMAL FOR ANY FLAT PACK FURNITURE

FOR CLEANING USE A DAMP CLOTH (NOT WET). DRY DIUSTER AND NORMAL FURNITURE POLISH.

USE OF POWER TOOLS TO ASSEMBLE THIS PRODUCT WILL INVALIDATE ANY CLAIM AND MAY DAMAGE THIS PRODUCT MAKING IT UNSAFE.

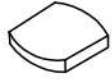




(P) Digging rope 1PC



(G) Single Plastic Cap 24pcs



(H) Double Plastic Cap 12pcs



(I) LEG 4 PCS



1.X16 (M8x30)



2.X14 (M8x40)



3.X14 (M8)



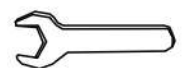
4.X8 (Ø8)



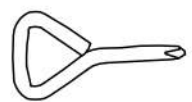
5.X8 (Ø8)



6.X1 (M5)



7.X1 (M8)



8.X1



9.X4 (M4x40)



10.X8 (M6x20)



11.X2 (M4)



12.X4 (M8x20)

Step 1



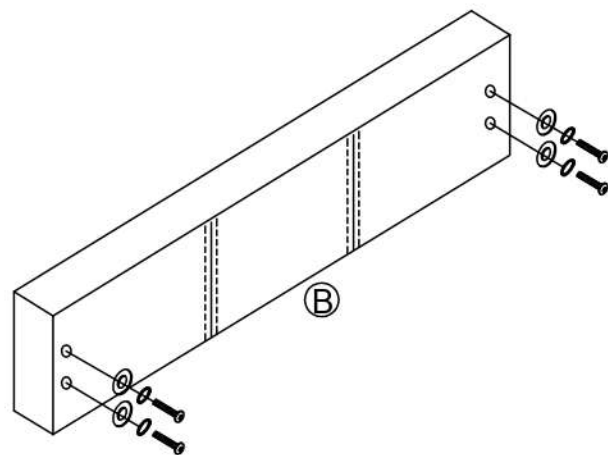
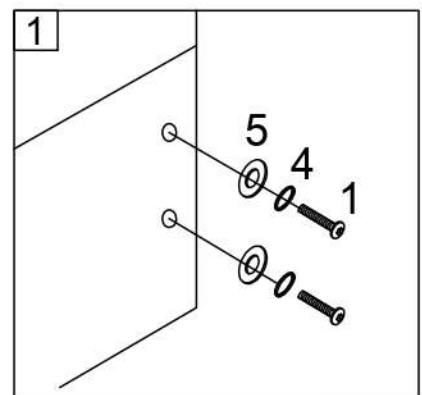
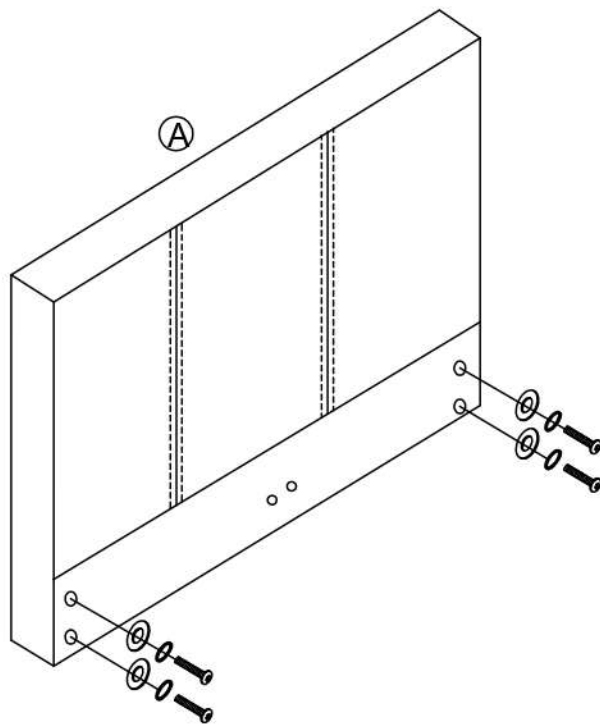
1 X 8



4 X 8

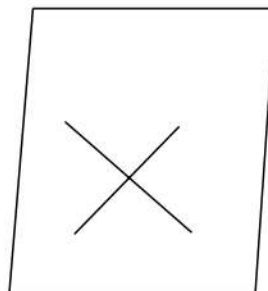
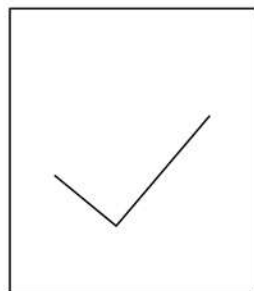
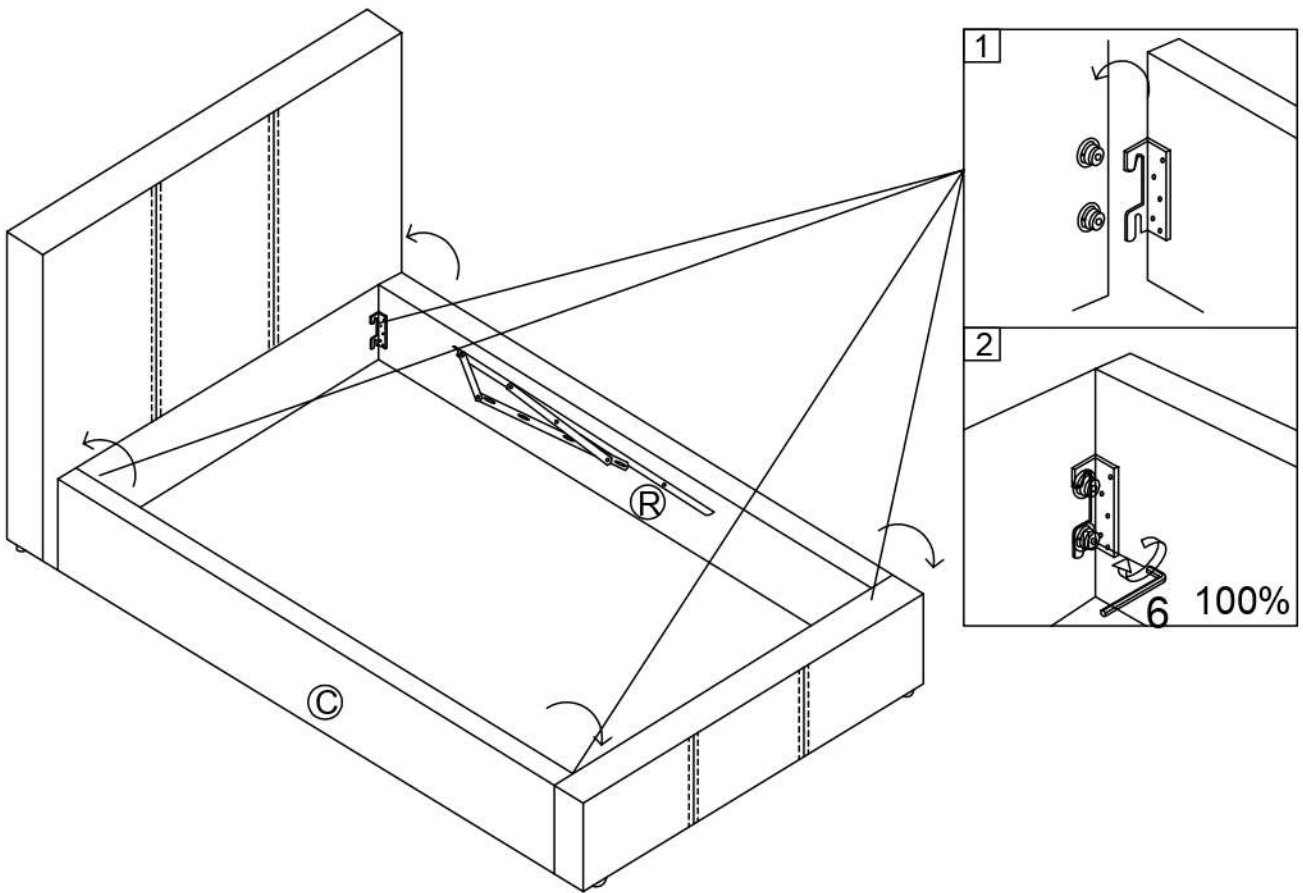


5 X 8



Step 2


6 X 1



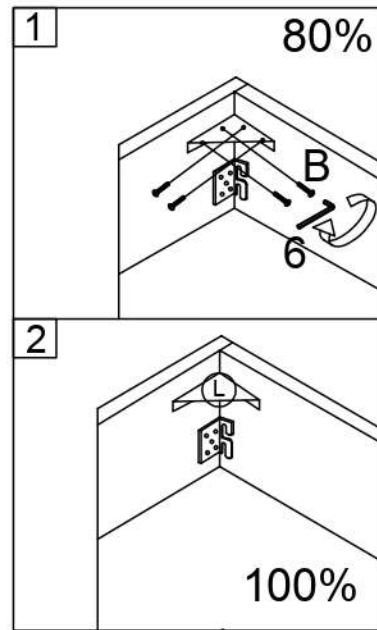
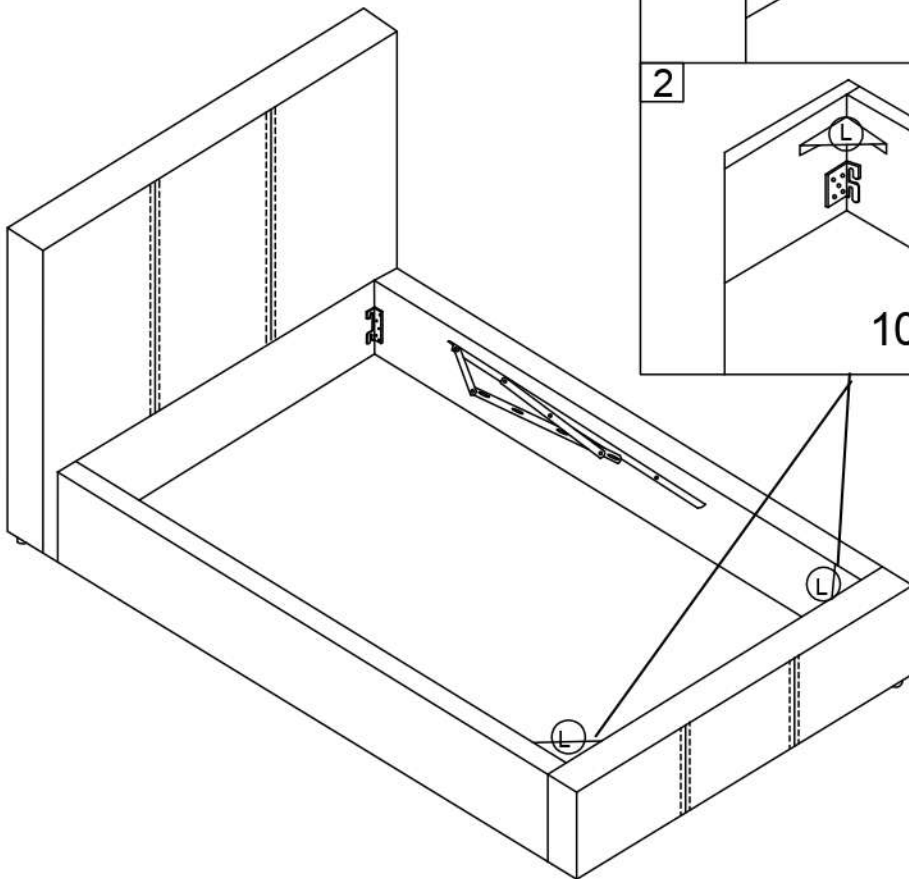
Step 3



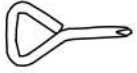
1 X 8



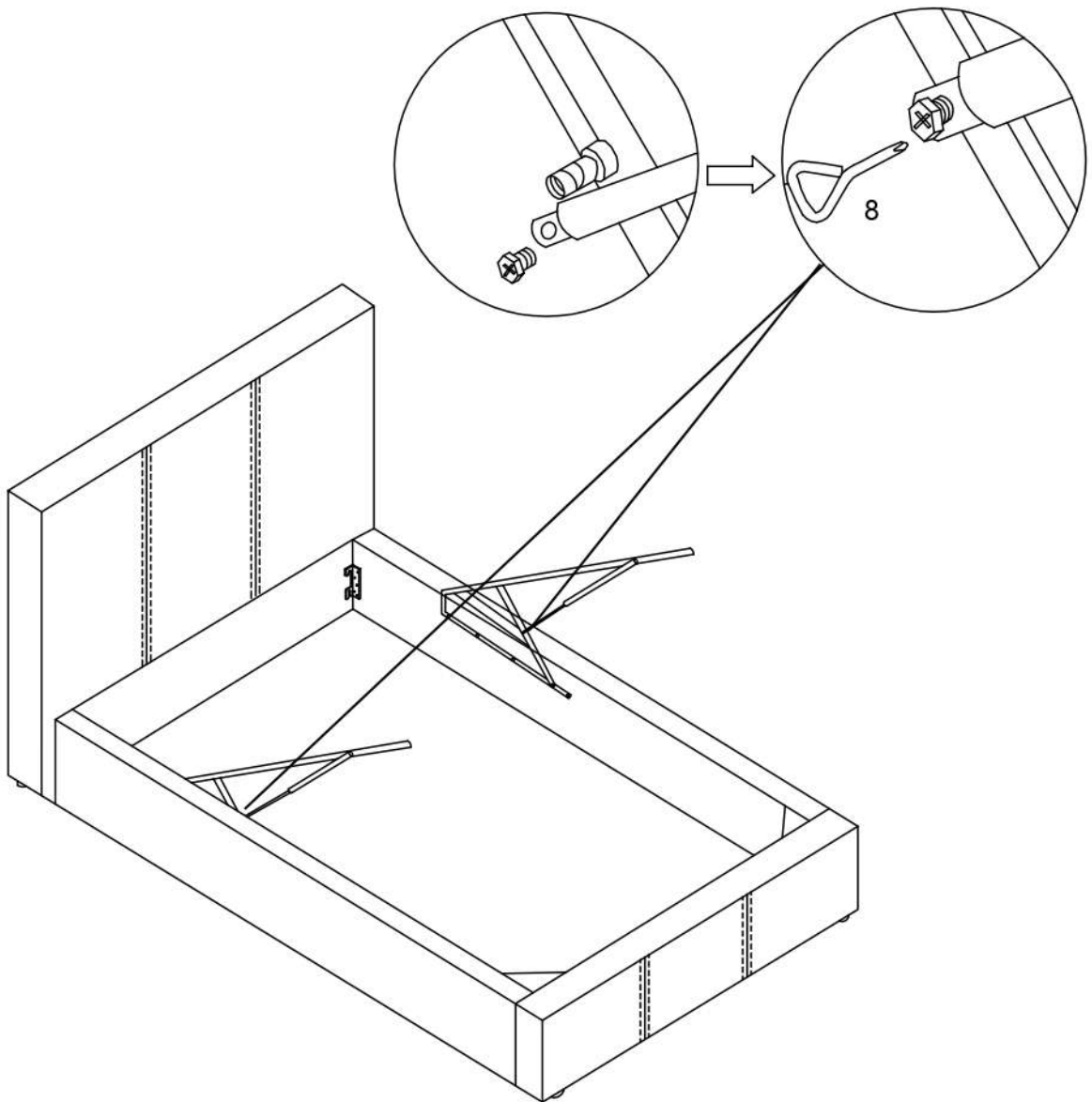
6 X 1



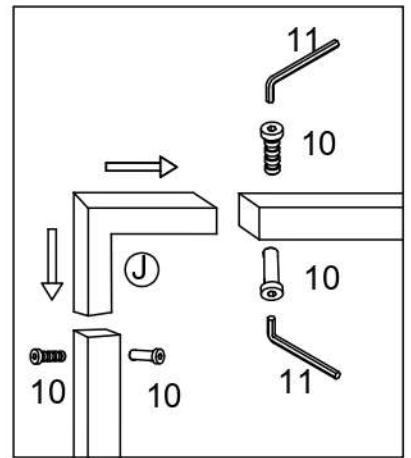
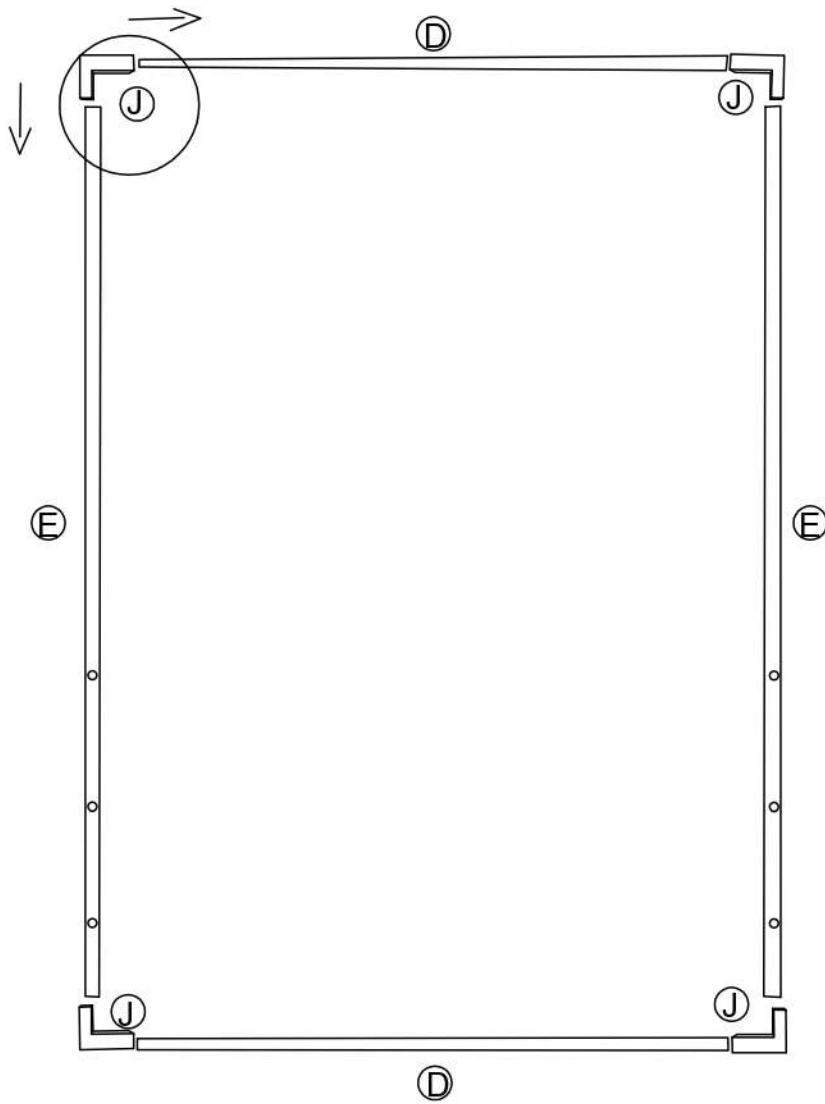
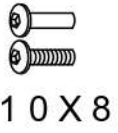
Step 4



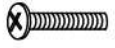
8 X 1



Step 5



Step 6



2 X 4



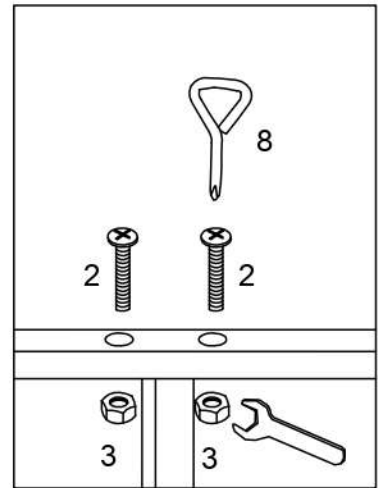
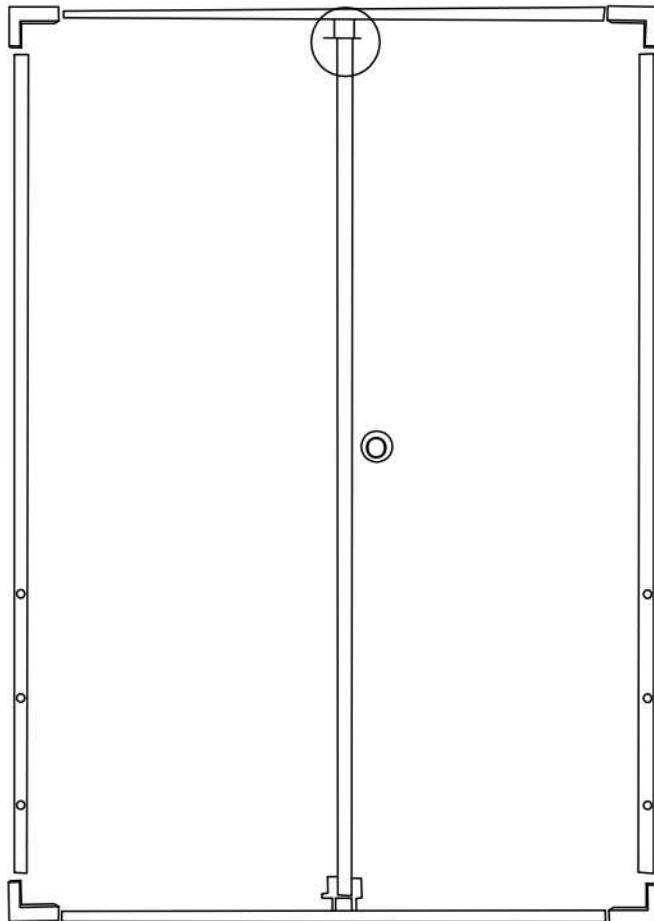
3 X 4



8 X 1



7 X 1



Step 7



2 X 6



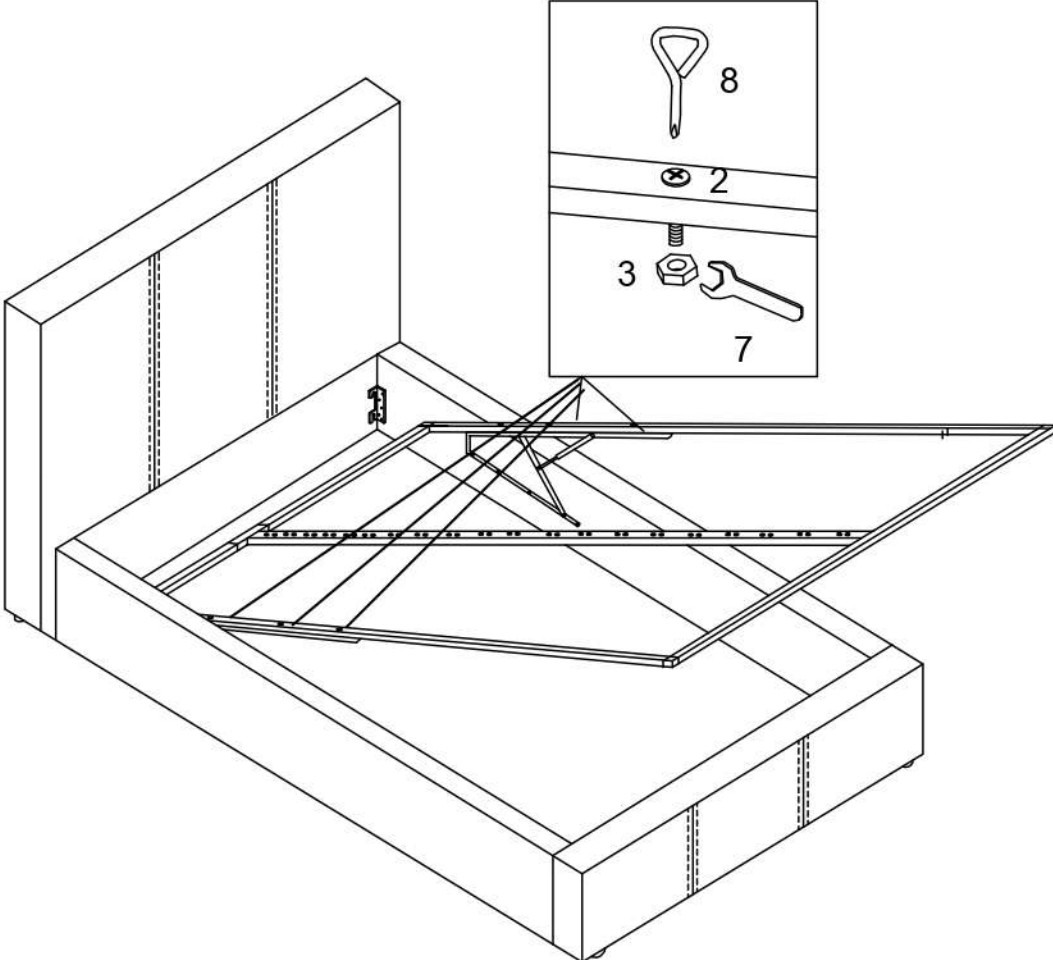
3 X 6



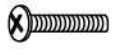
8 X 1



7 X 1



Step 8



2 X 4



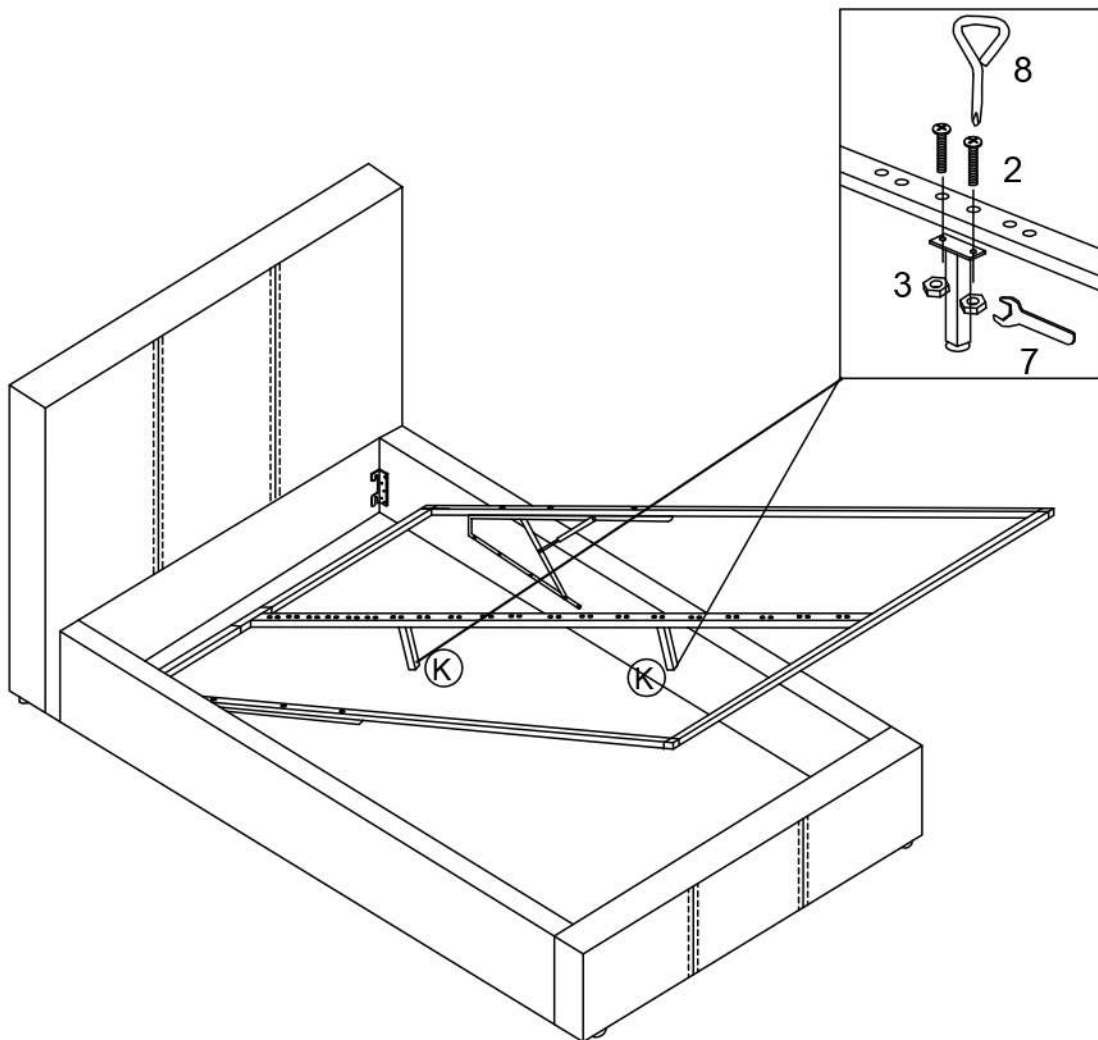
3 X 4



8 X 1



7 X 1



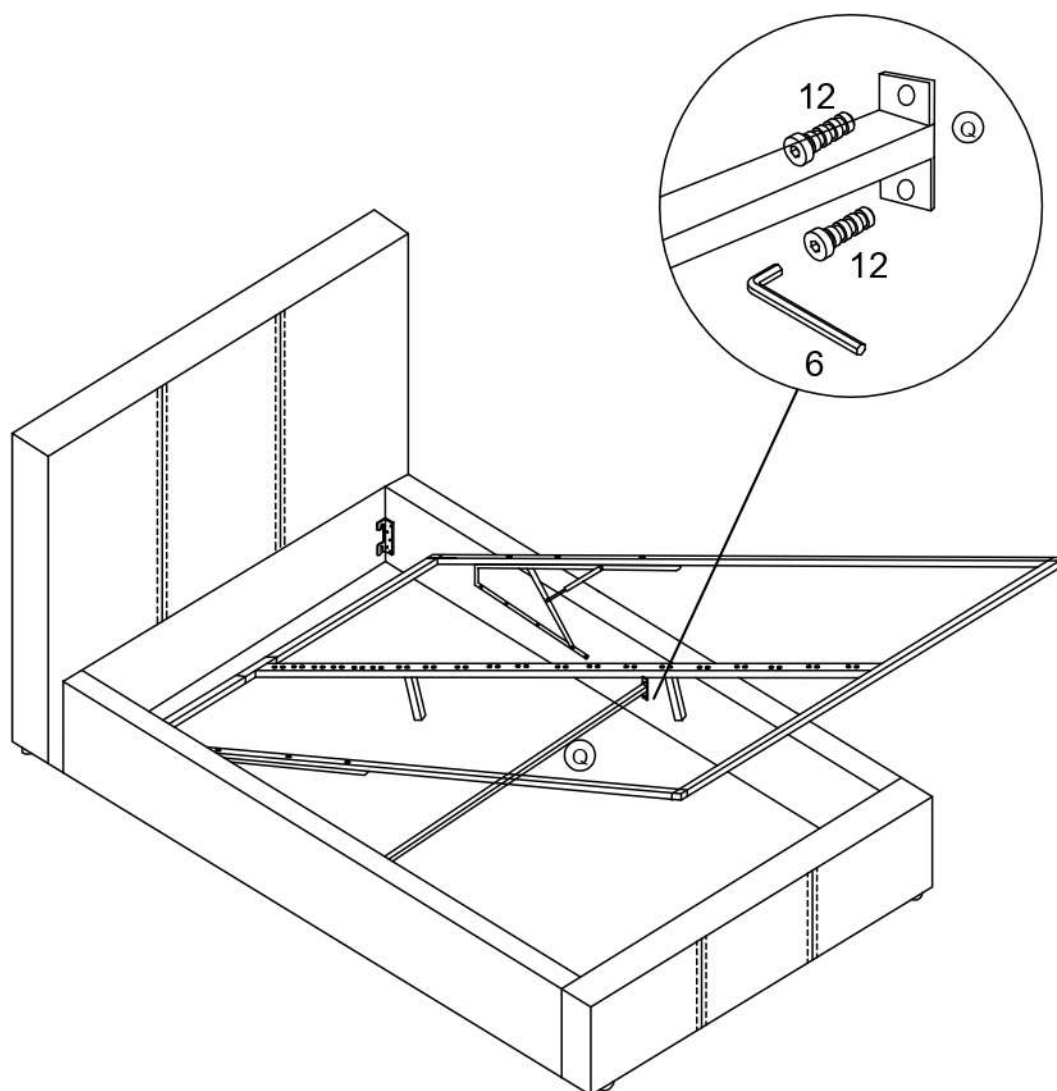
Step 9



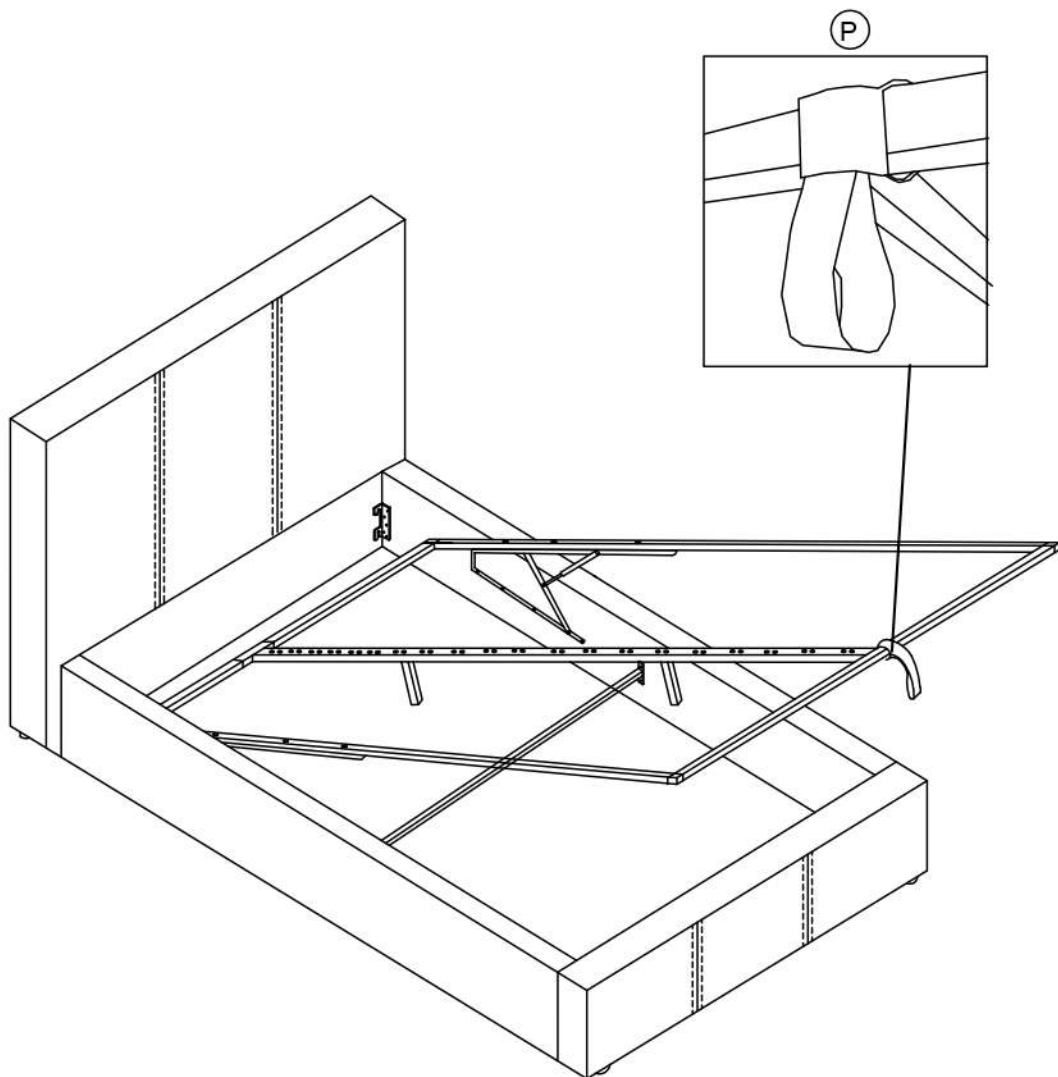
12 X 4



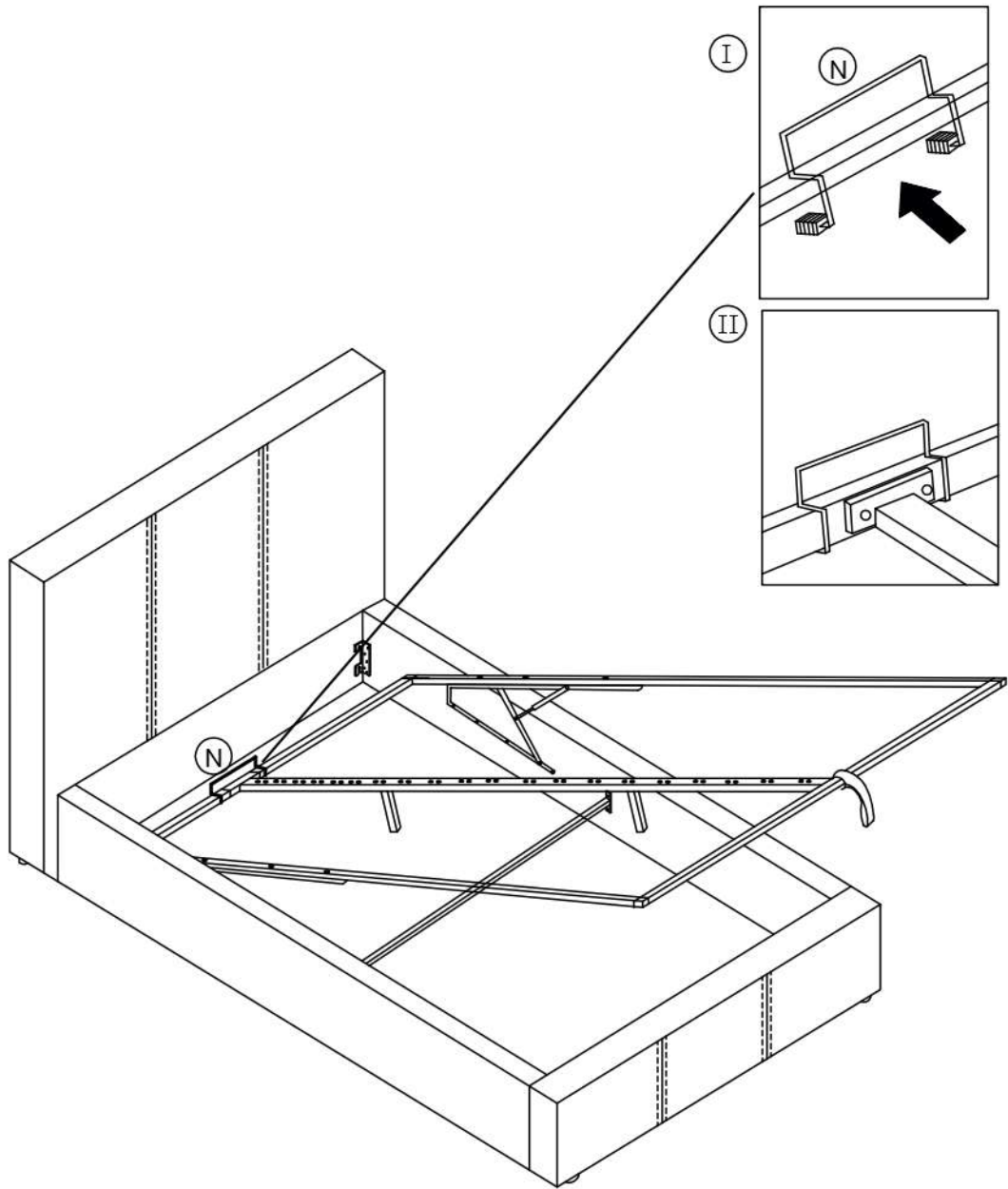
6 X 1



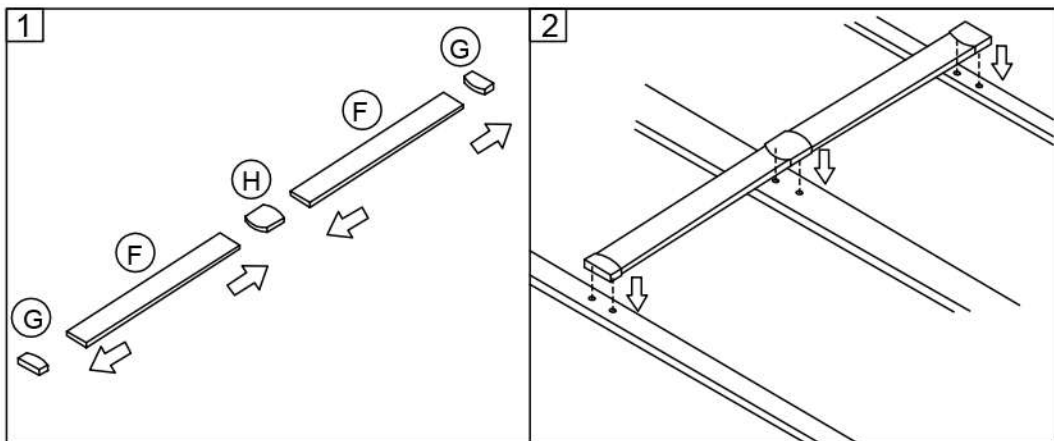
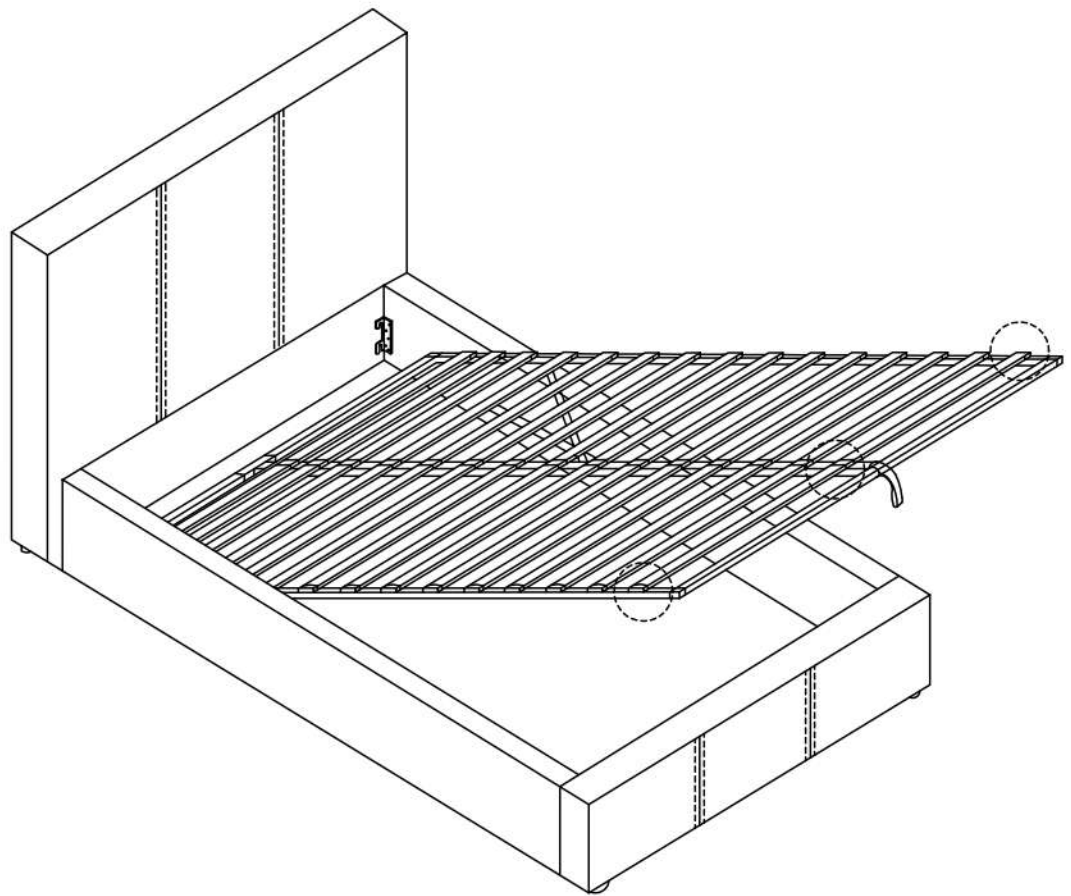
Step 10



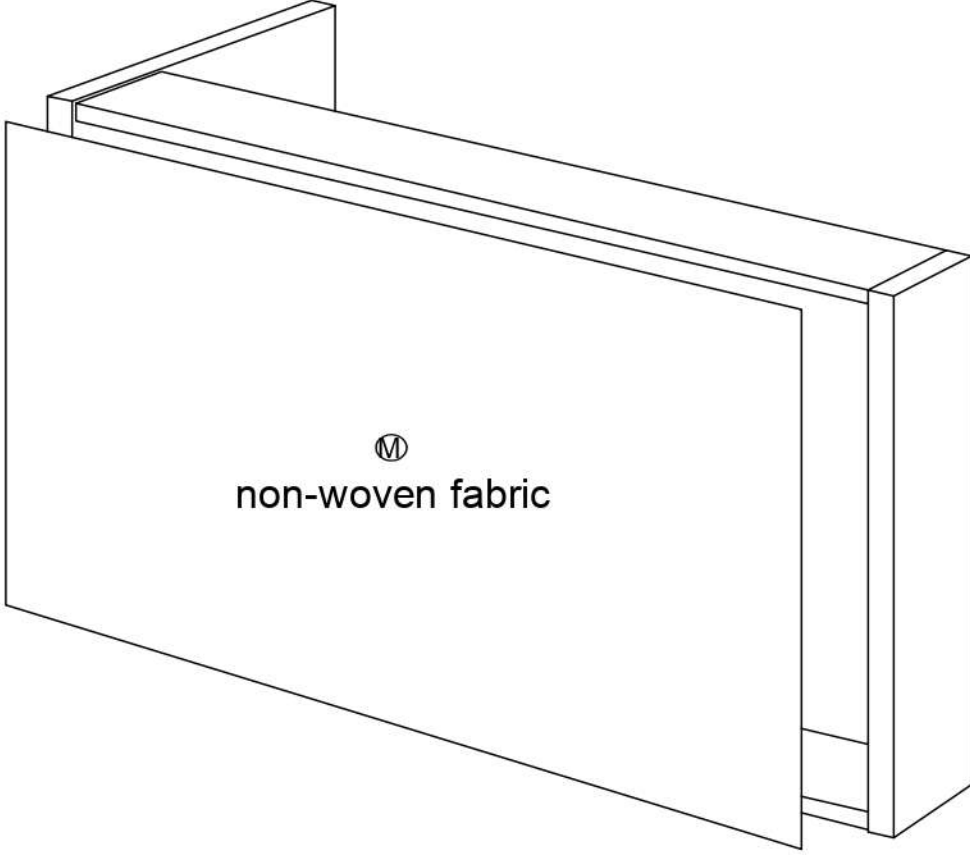
Step 11



Step 12



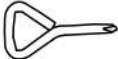
Step 13



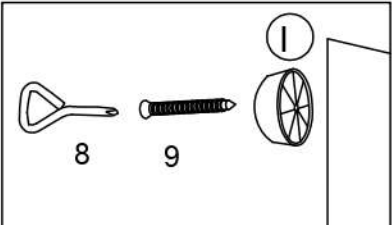
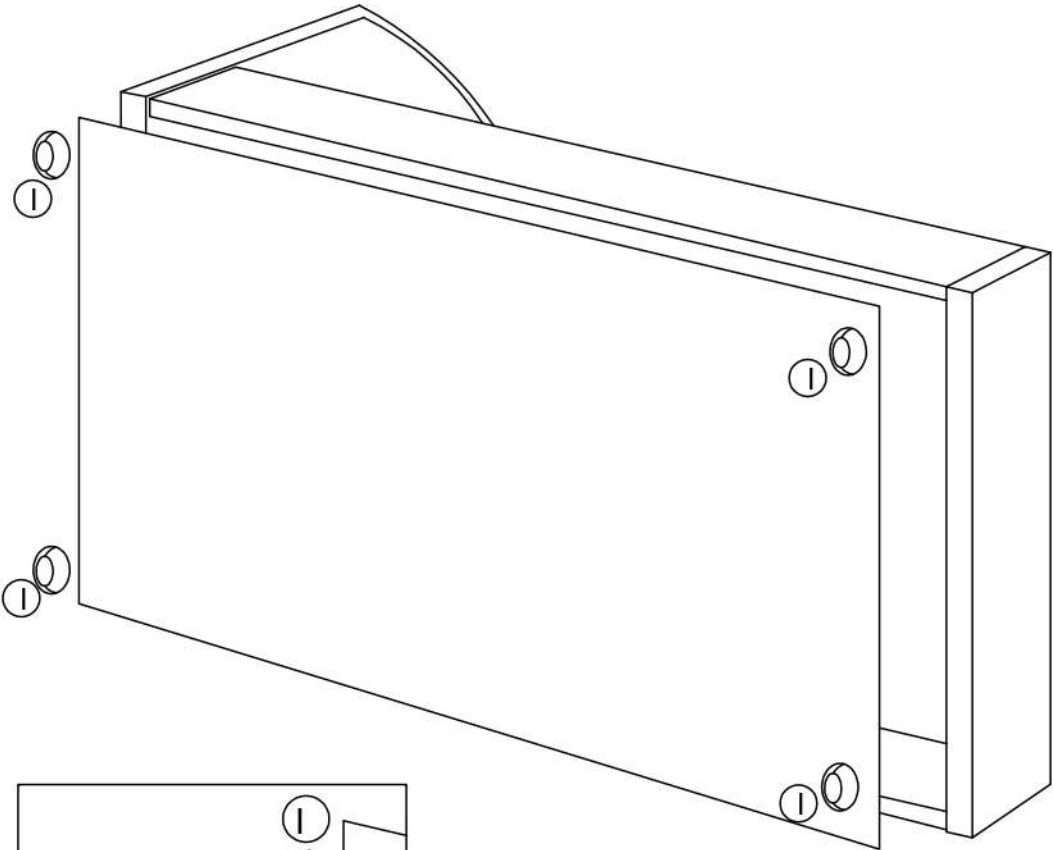
Step 14



9 X 4



8 X 1



X4

Step 15

