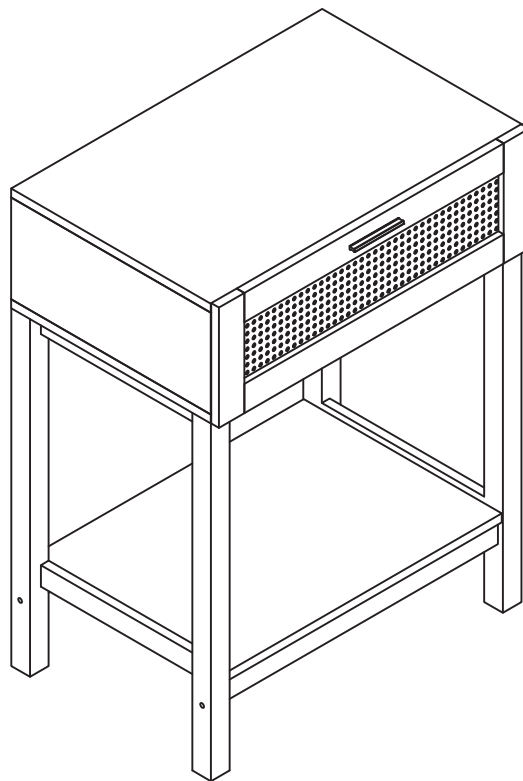
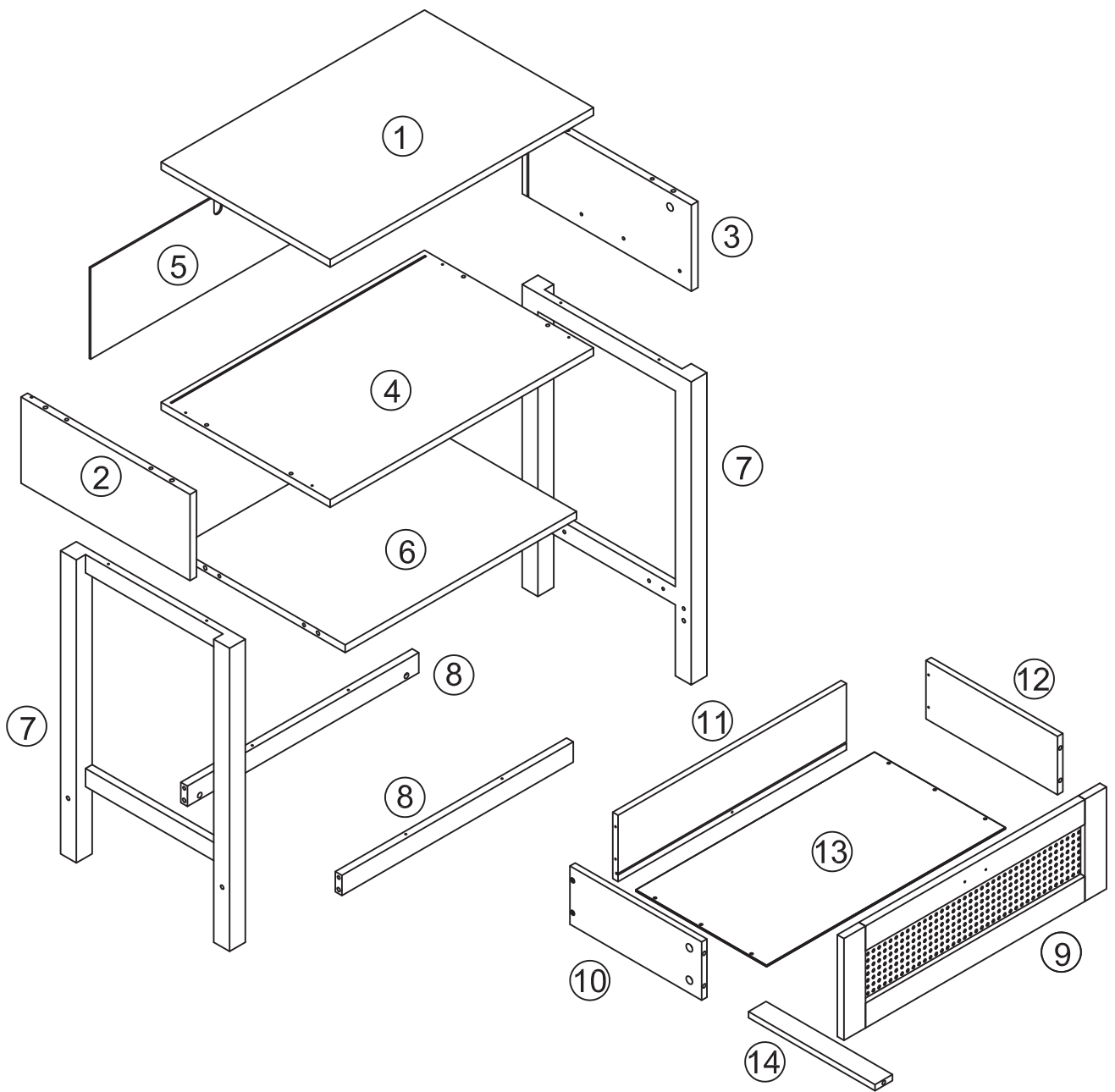


RATTAN BEDSIDE TABLE ASSEMBLY INSTRUCTIONS

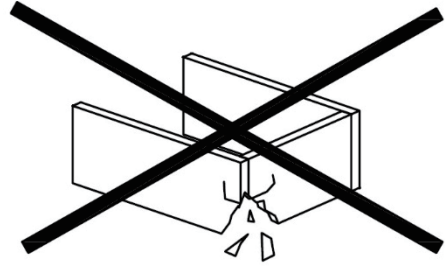
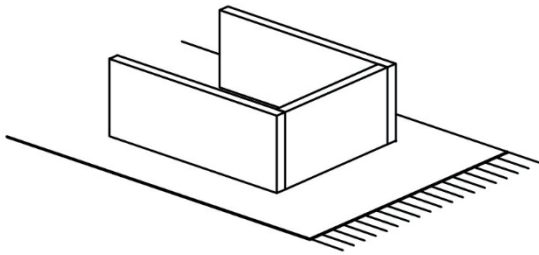
Item No. 10003619
10003614





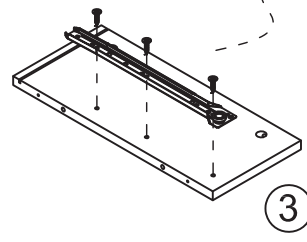
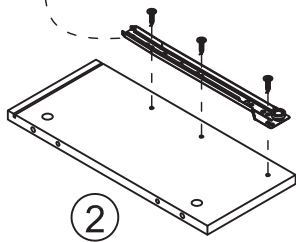
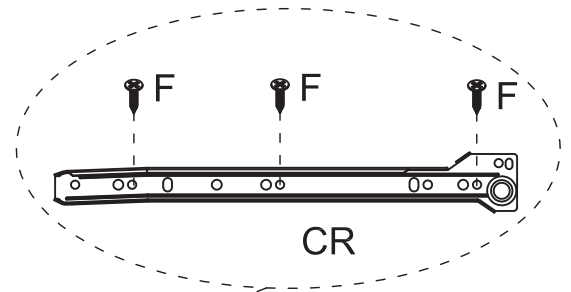
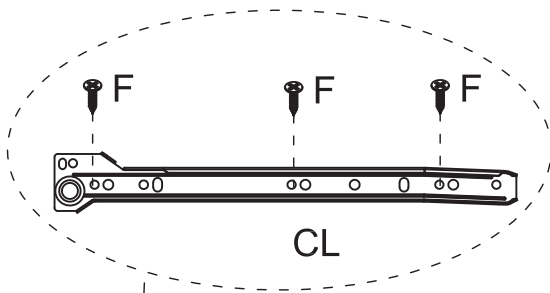
A x13	B x13	C x16	D x5	E x4	F x12	G x1
H x4	I x4	J x2	K x4	L x4	M x4	N x1
O x4	P x1	Q x5	R x1	S x1	CL x2	x2
CR x2	I x2					

Step 1

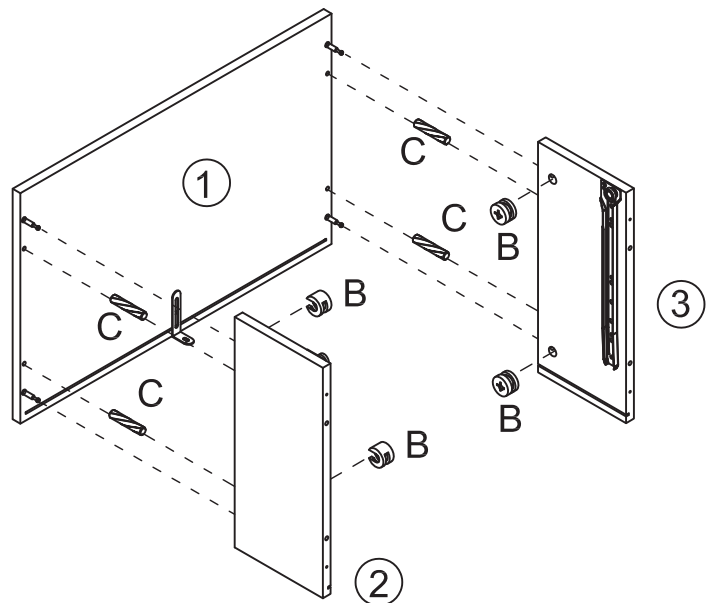
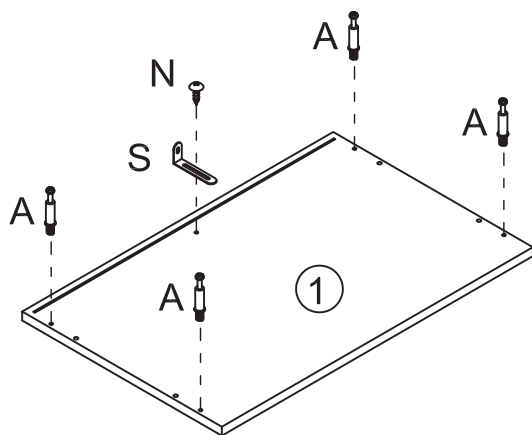


WARNING TO AVOID SCRATCHES!

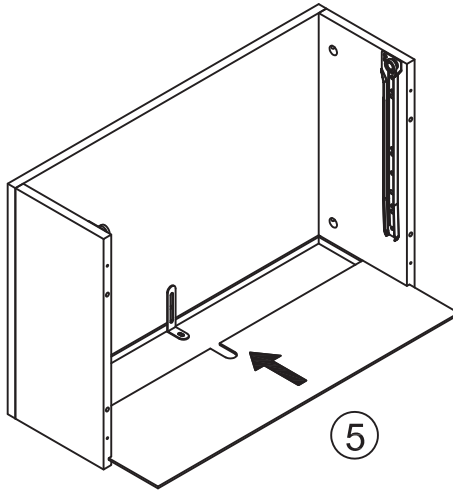
In order to avoid scratching this furniture should be assembled on a soft layer - could be a rug.



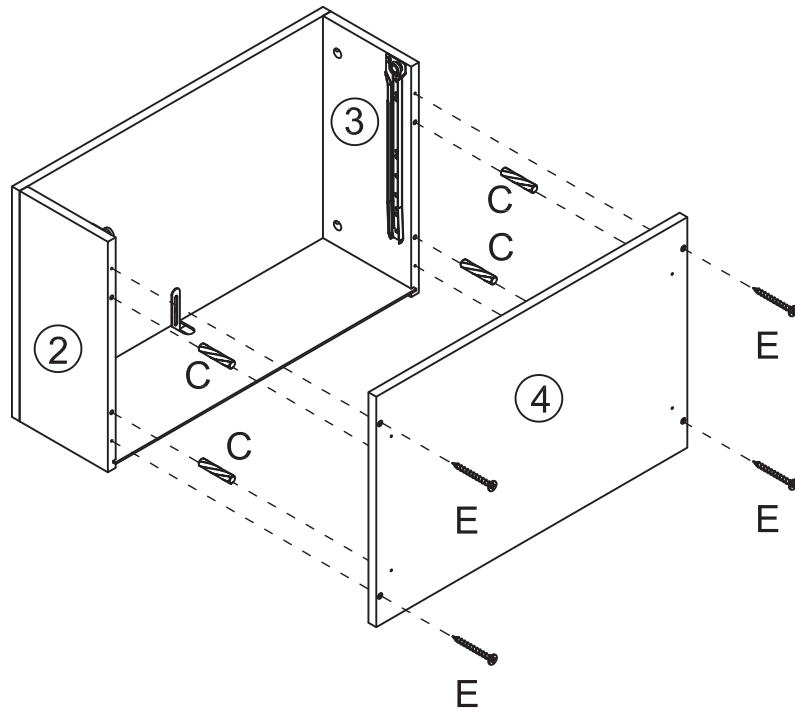
Step 2



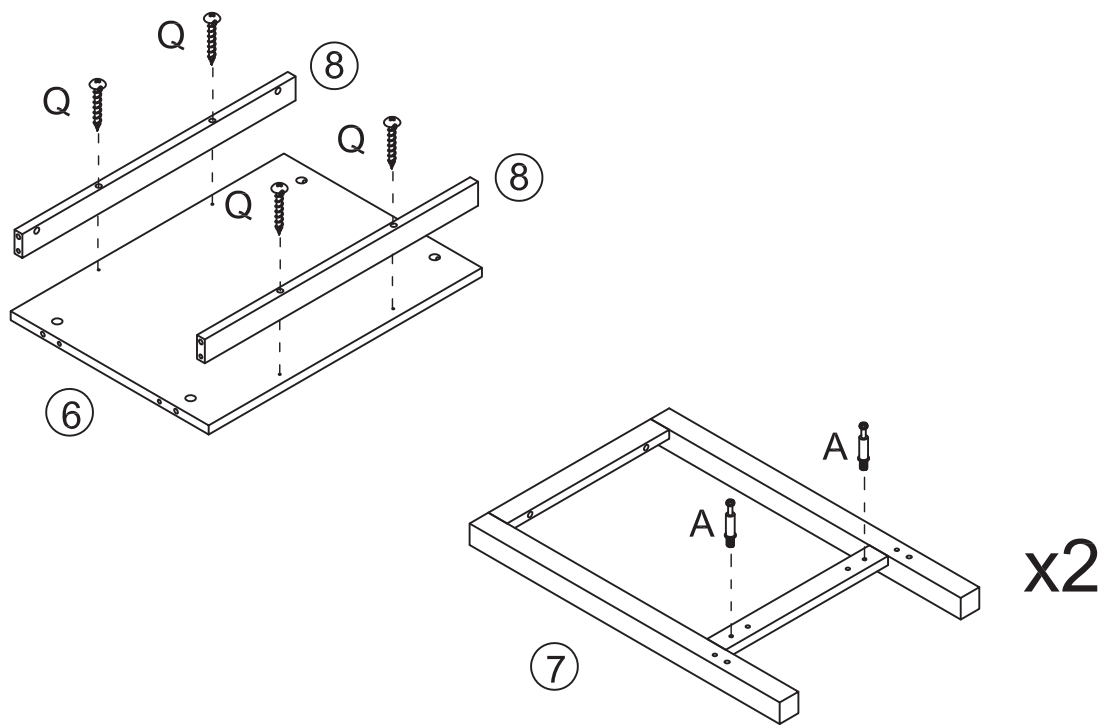
Step 3



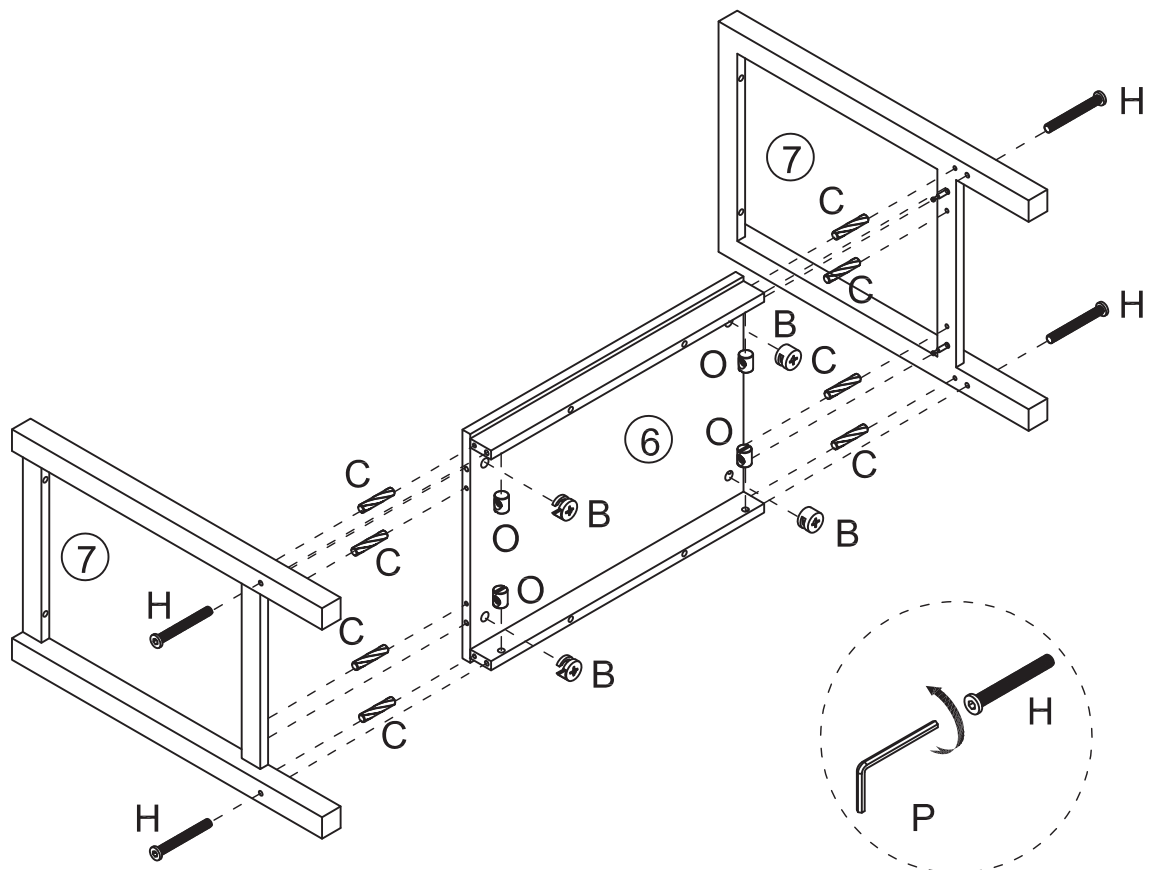
Step 4



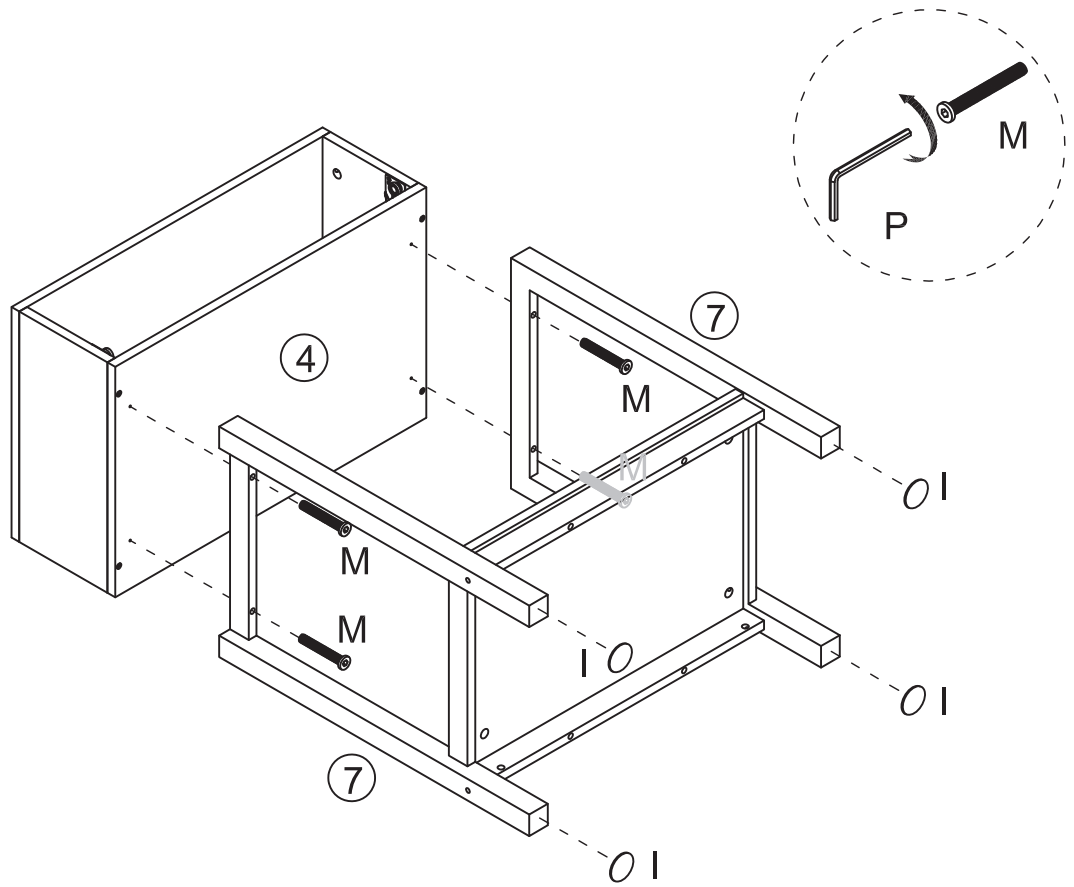
Step 5



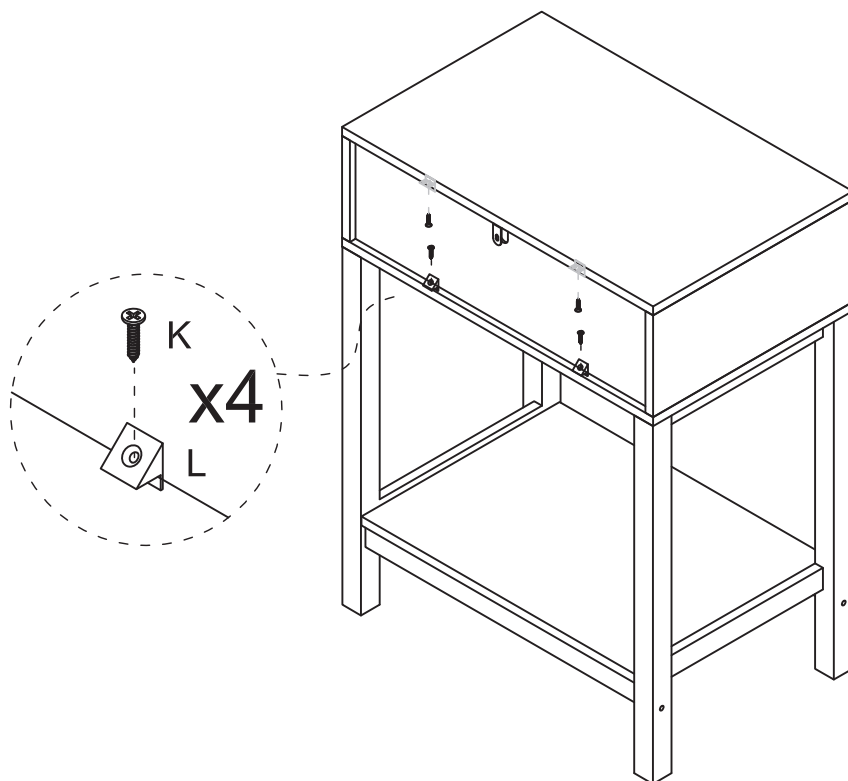
Step 6



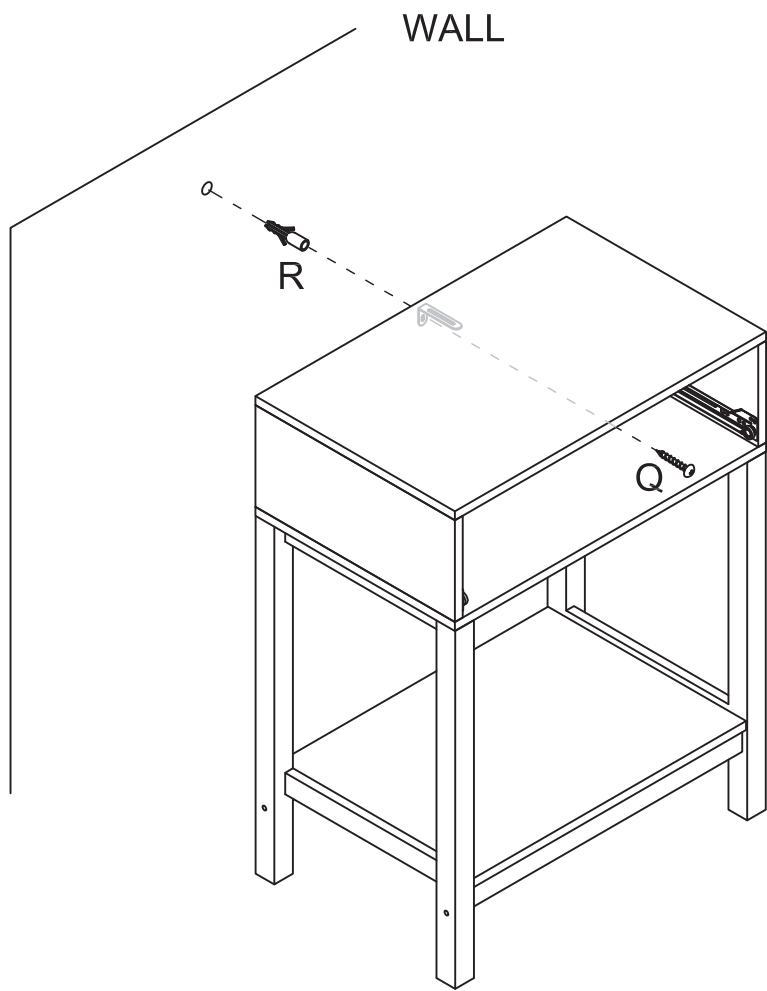
Step 7



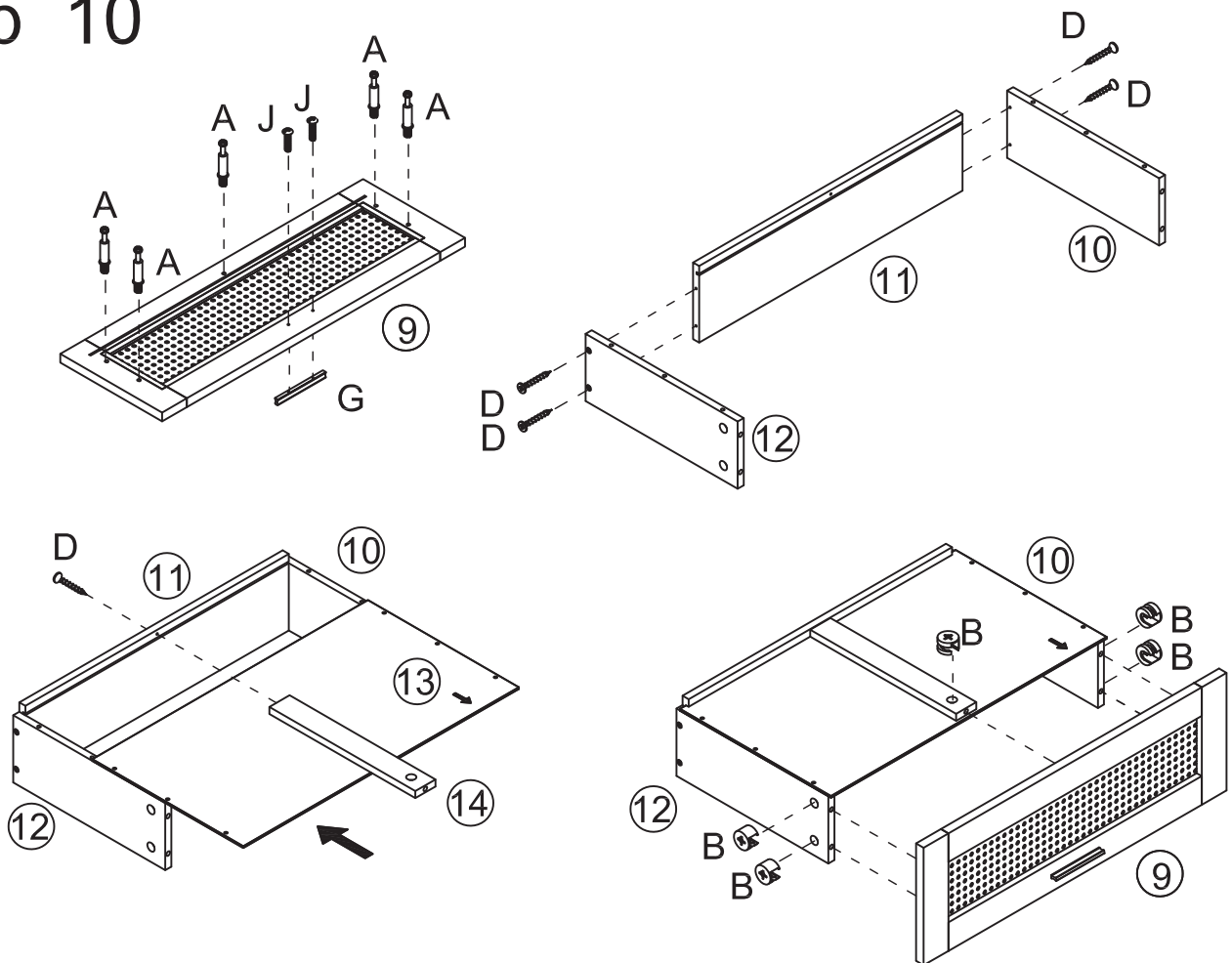
Step 8



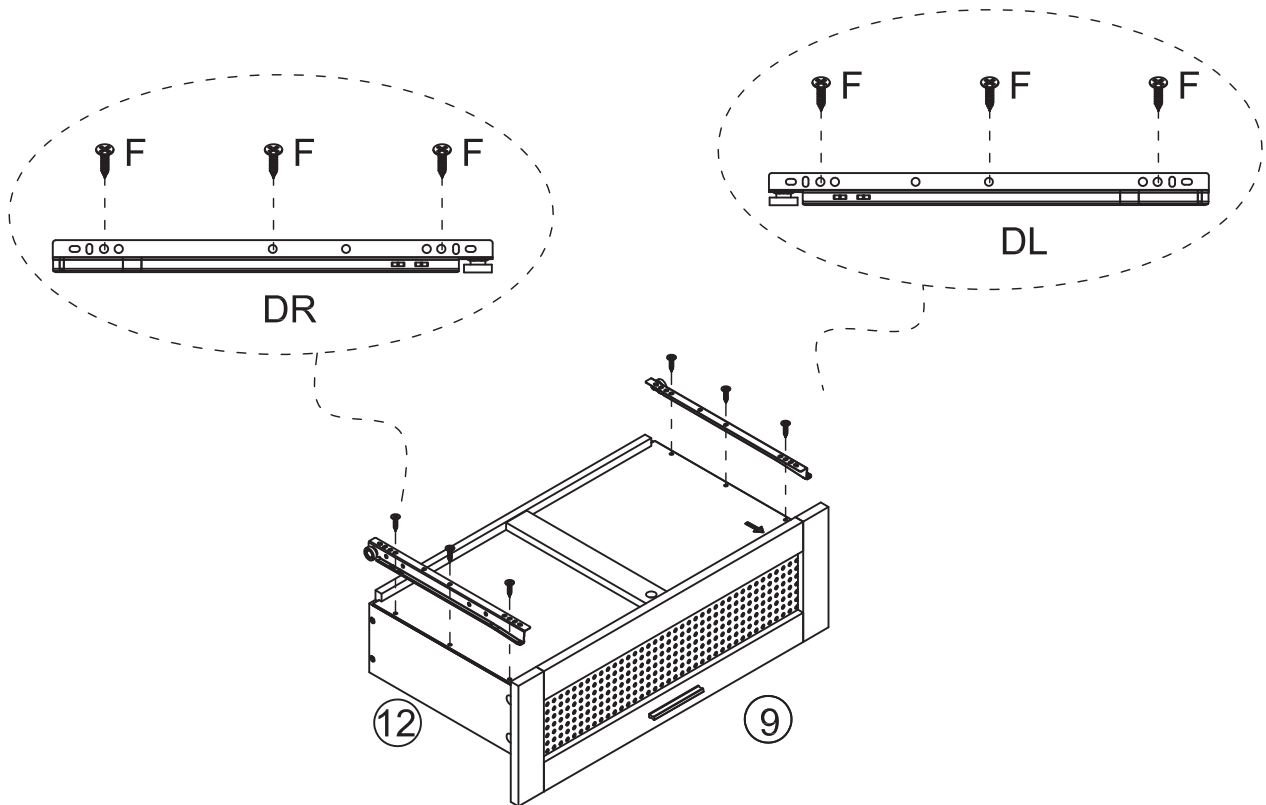
Step 9



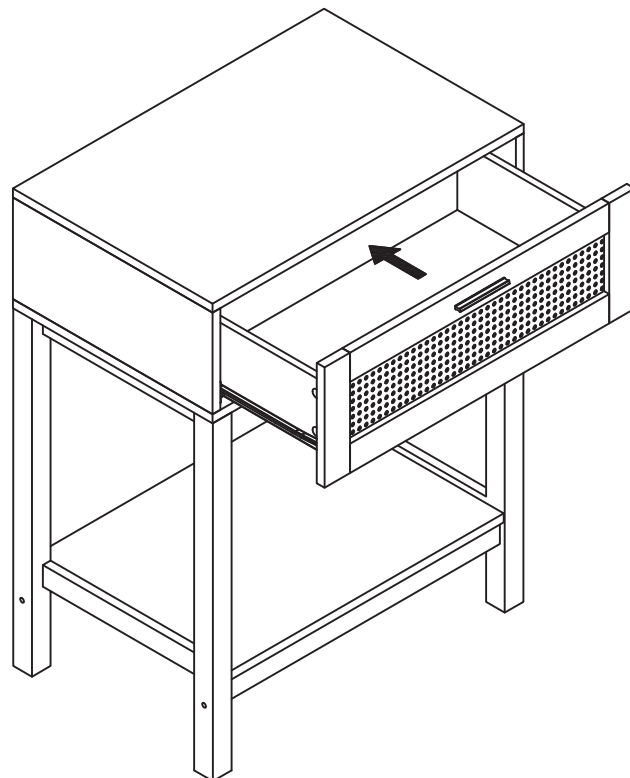
Step 10



Step 11



Step 12



Insert drawer by aligning the drawer runners onto either side of the drawer as shown

