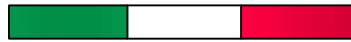


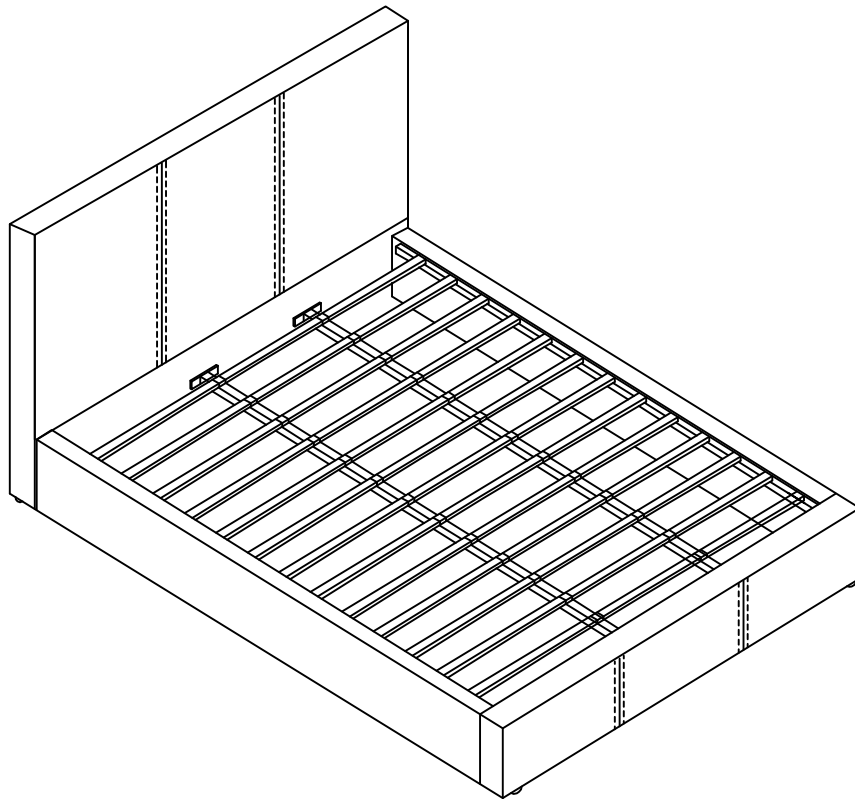
Milano Decor



## ASSEMBLY INSTRUCTIONS

SIENNA BEDFRAME + HEADBOARD

KING



### IMPORTANT

PLEASE READ BEFORE YOU CONTINUE FURTHER

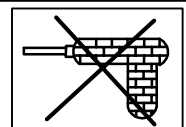
THE PRODUCT YOU HAVE PURCHASED WILL GIVE YOU MANY YEARS OF SERVICE IF YOU FOLLOW THE GUIDELINES FOR ITS SAFE ASSEMBLY AND PERIODIC MAINTENANCE AND CLEANING.

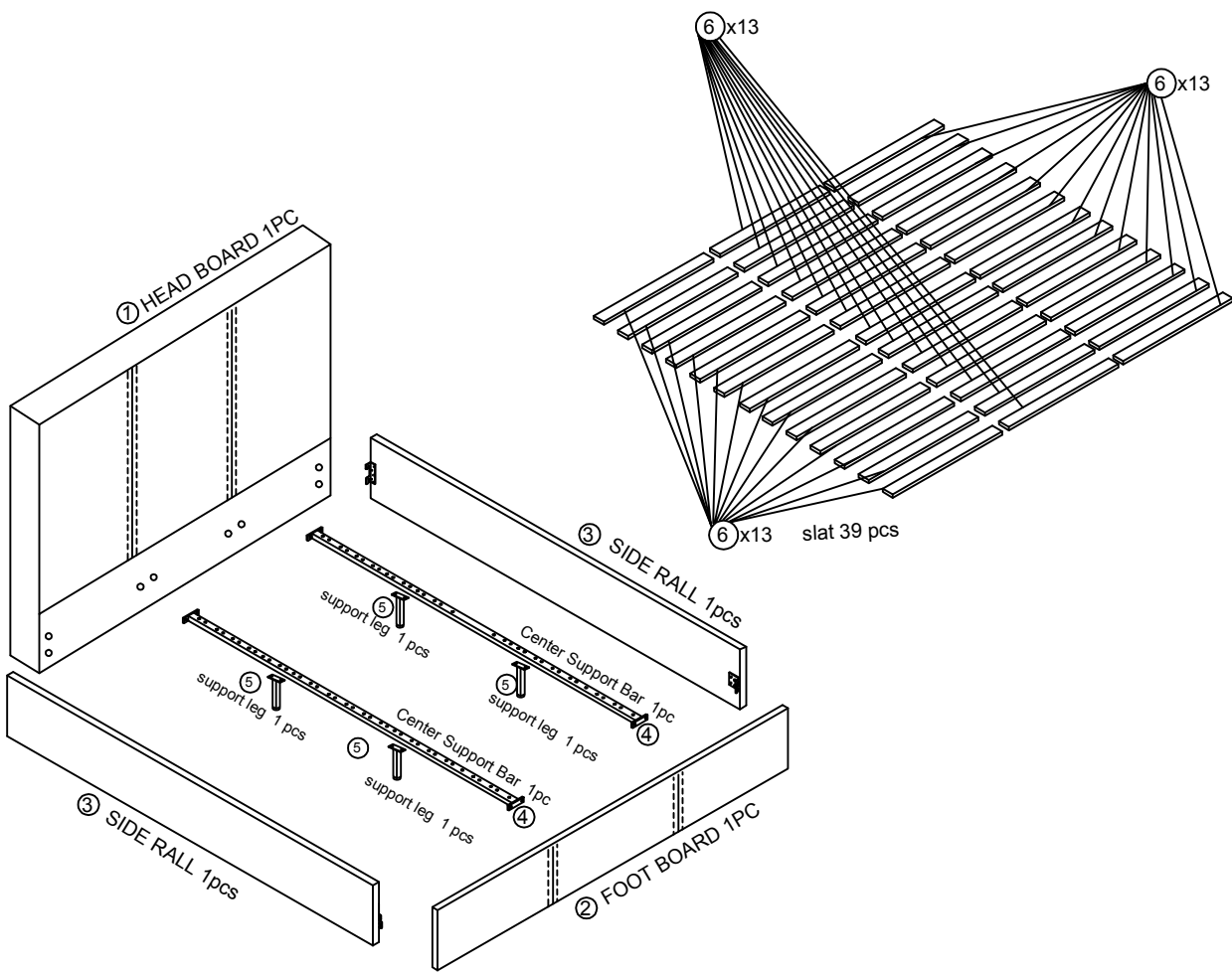
DO NOT FOR ANY REASON USE A POWER TOOL TO ASSEMBLE THIS PRODUCT. ITS USE WILL INVALIDATE ANY CLAIM YOU MAY HAVE AND COULD MAKE THIS PRODUCT UNSAFE .

DEPENDING ON THE AMOUNT OF USE THIS PRODUCT RECEIVES IT MAY BE NECESSARY TO TIGHTEN UP THE FIXINGS FROM TIME TO TIME. THIS IS COMPLETELY NORMAL FOR ANY FLAT PACK FURNITURE

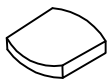
FOR CLEANING USE A DAMP CLOTH (NOT WET). DRY DIUSTER AND NORMAL FURNITURE POLISH.

USE OF POWER TOOLS TO ASSEMBLE THIS PRODUCT WILL INVALIDATE ANY CLAIM AND MAY DAMAGE THIS PRODUCT MAKING IT UNSAFE.

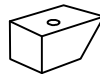




⑦ Single Plastic Cap 26pcs



⑧ Double Plastic Cap 26pcs



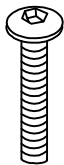
⑨ LEG 4 PCS



A X 16  
(M8x30)



B X 8  
(M8x35)



C X 4  
(M8x50)



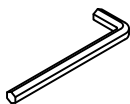
D X 8  
(Ø8)



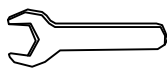
E X 8  
(M8)



F X 12  
(Ø8)



G X 1  
(M5)



H X 1  
(M8)

# Step 1



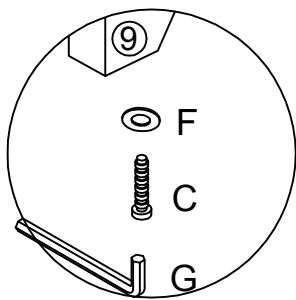
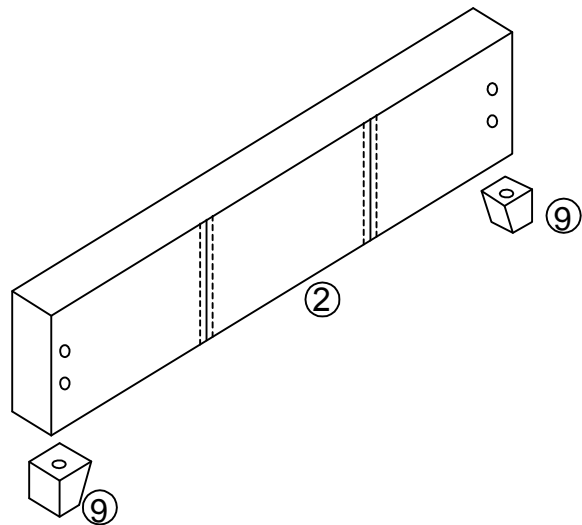
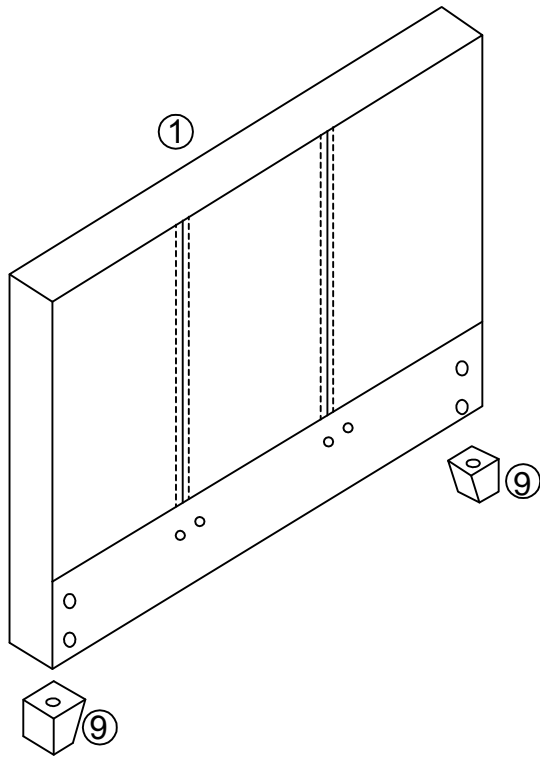
C X 4



F X 4



G X 1



# Step 2



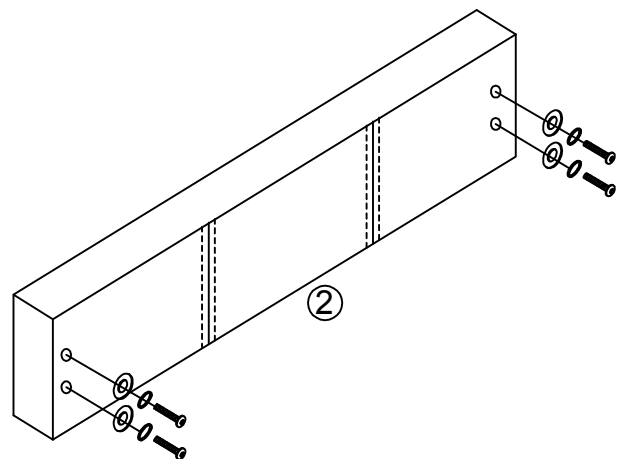
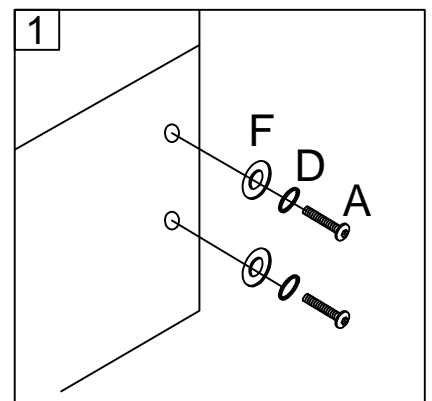
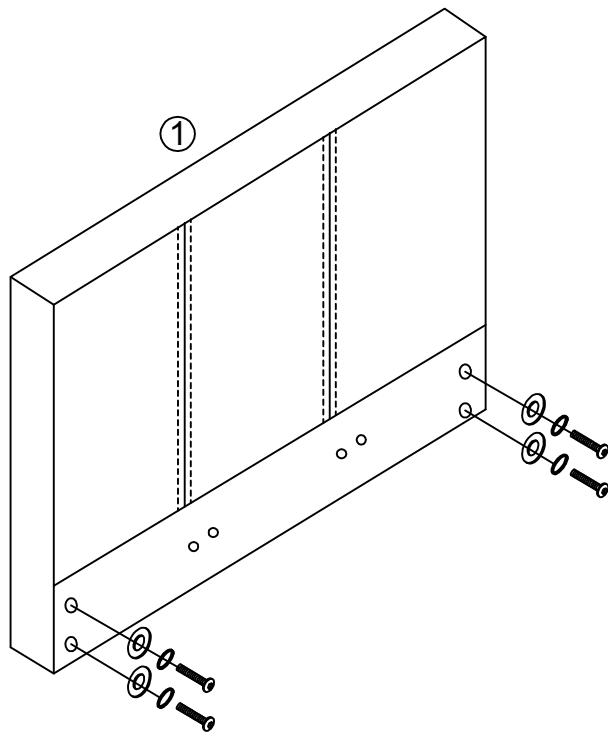
A X 8



D X 8

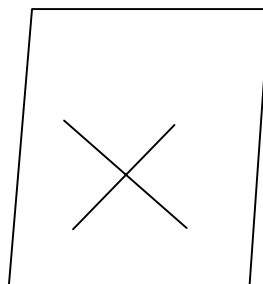
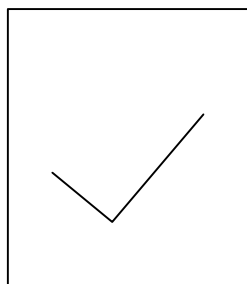
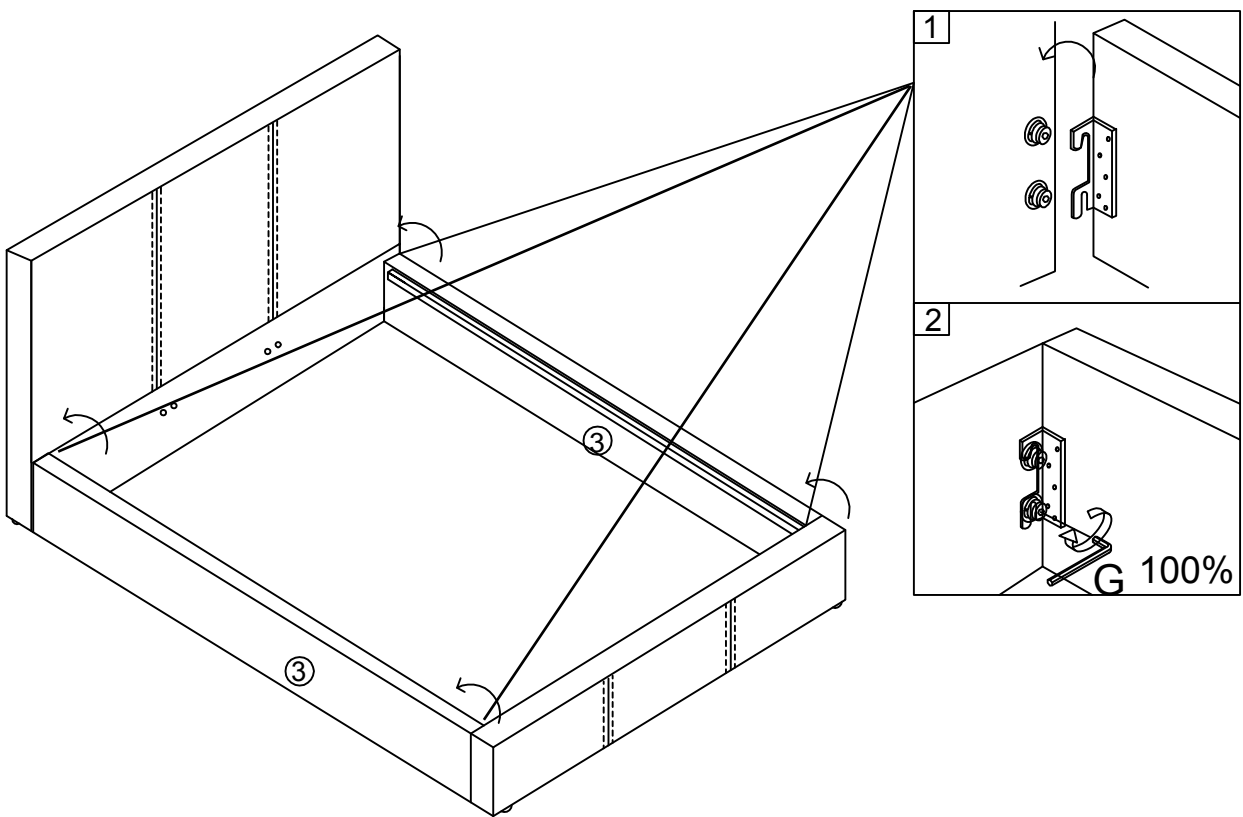


F X 8



# Step 3

  
GX 1



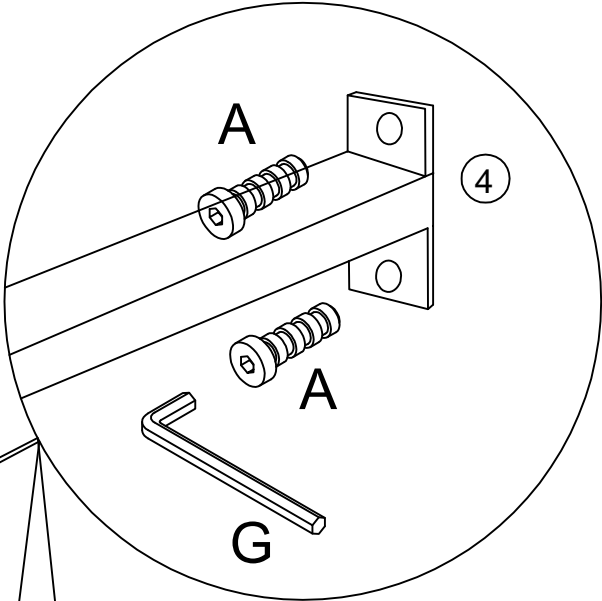
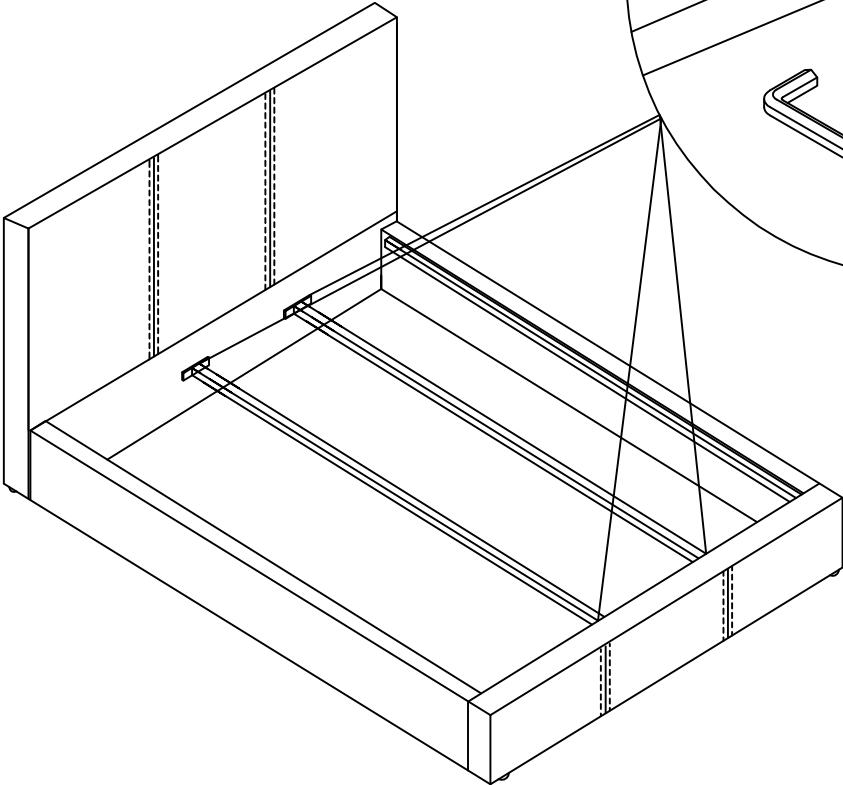
# Step 4



A X 8



G X 1



# Step 5



B X 8



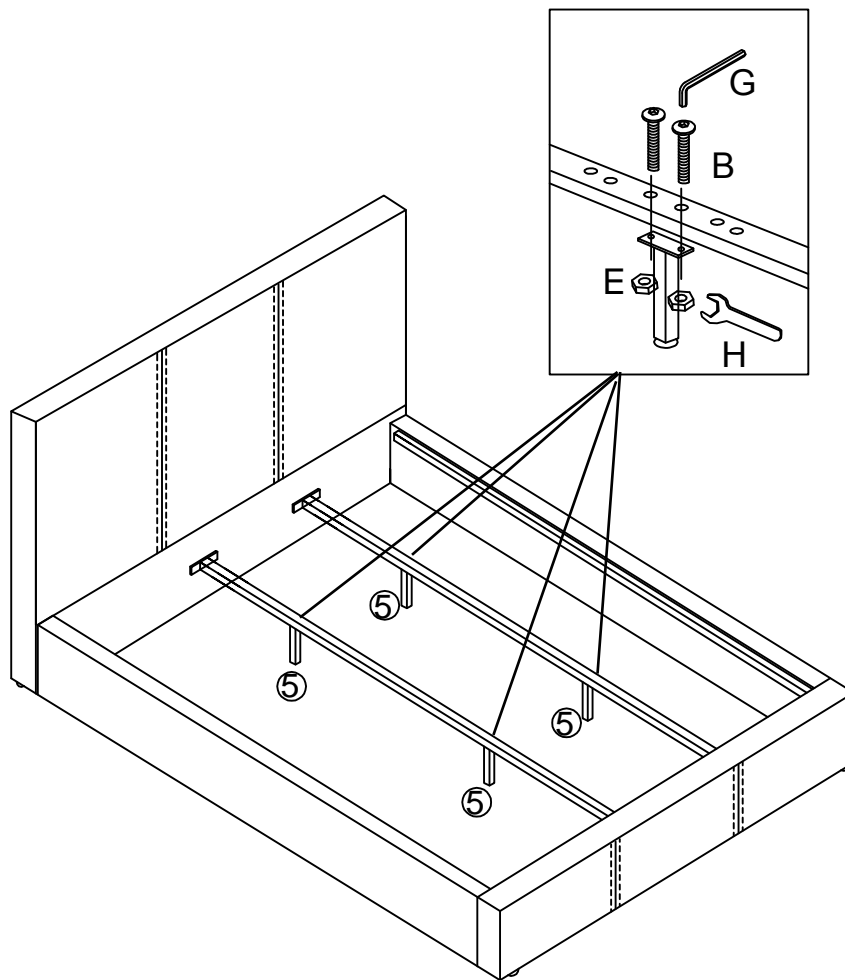
E X 8



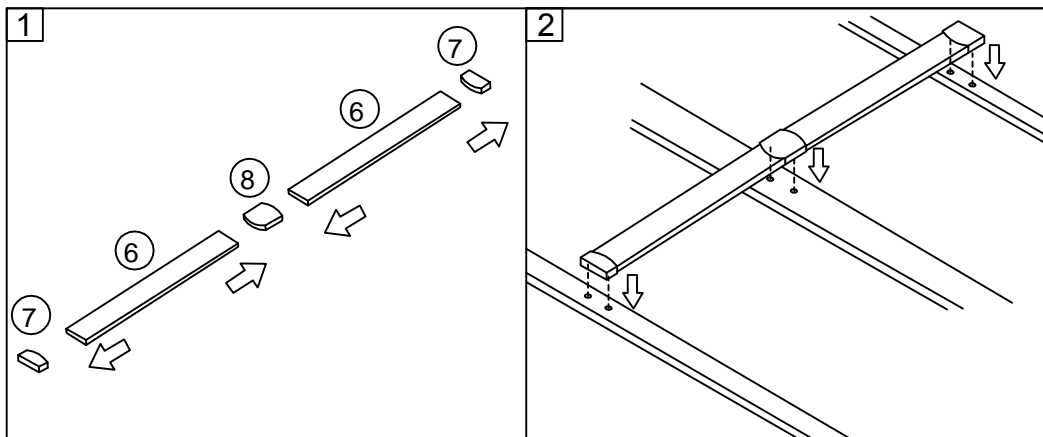
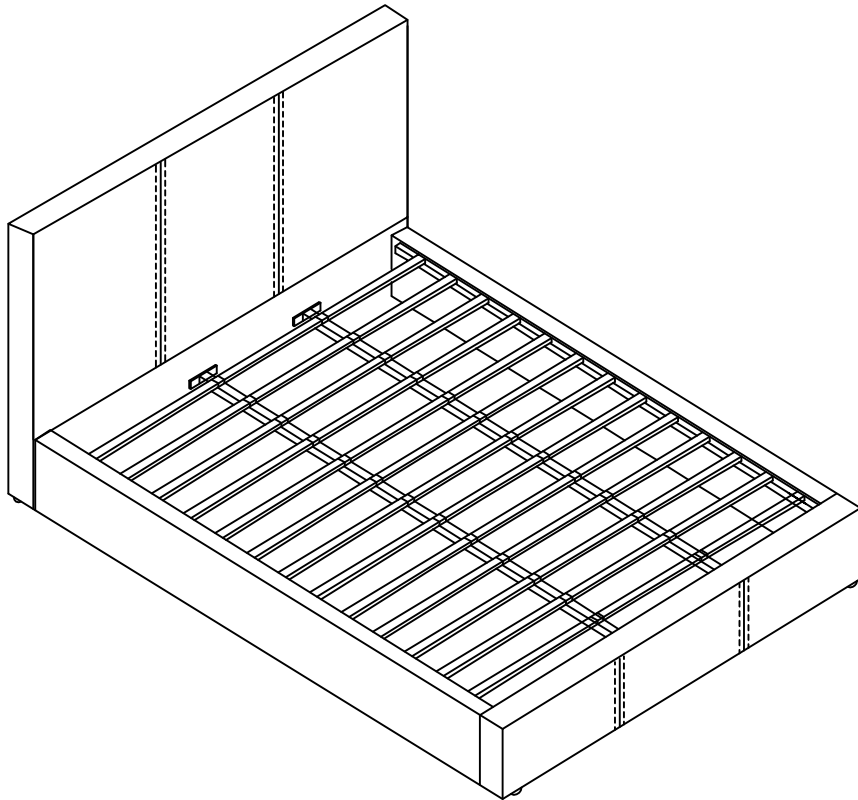
G X 1



H X 1



# Step 5





Step 6

