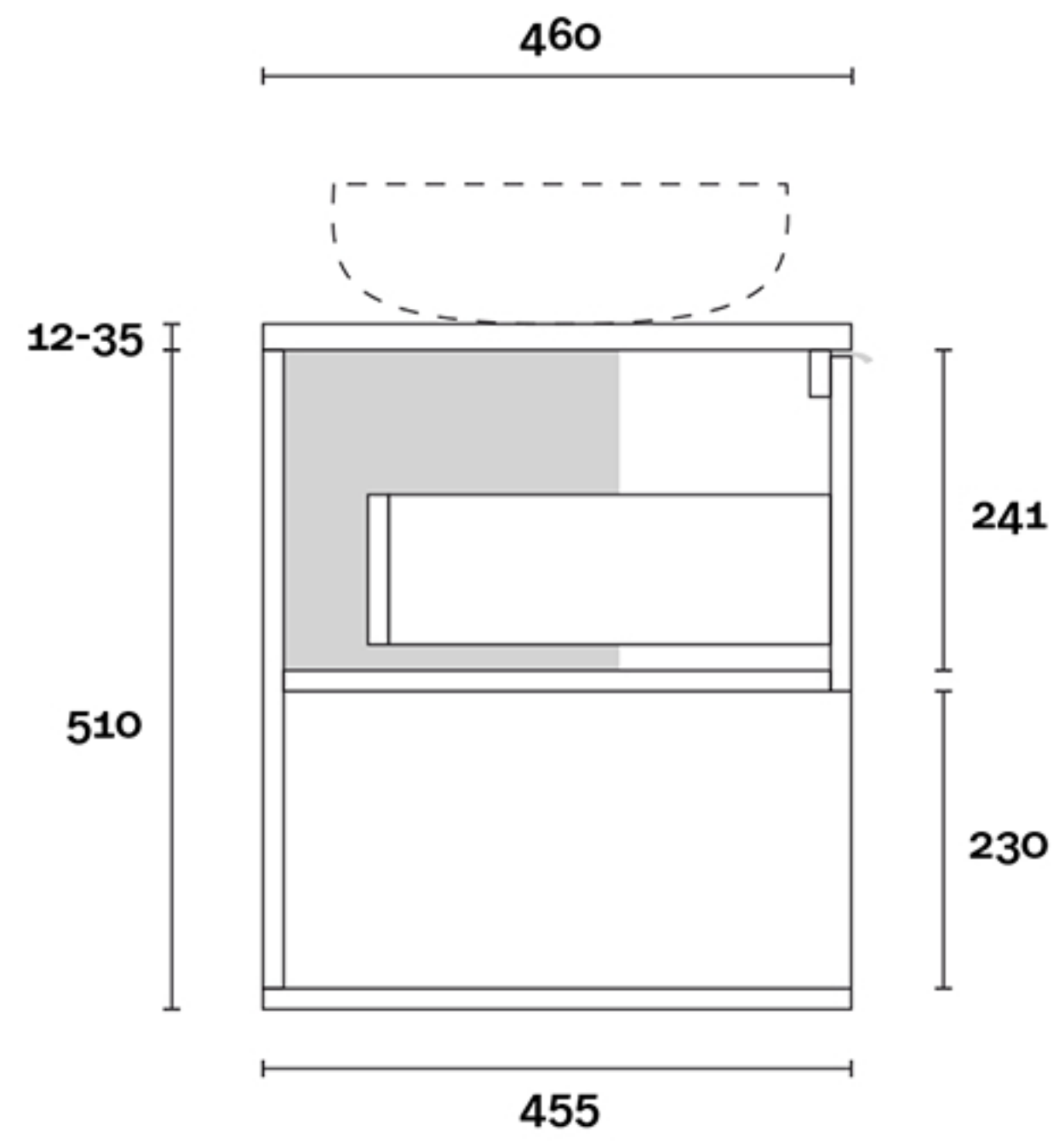
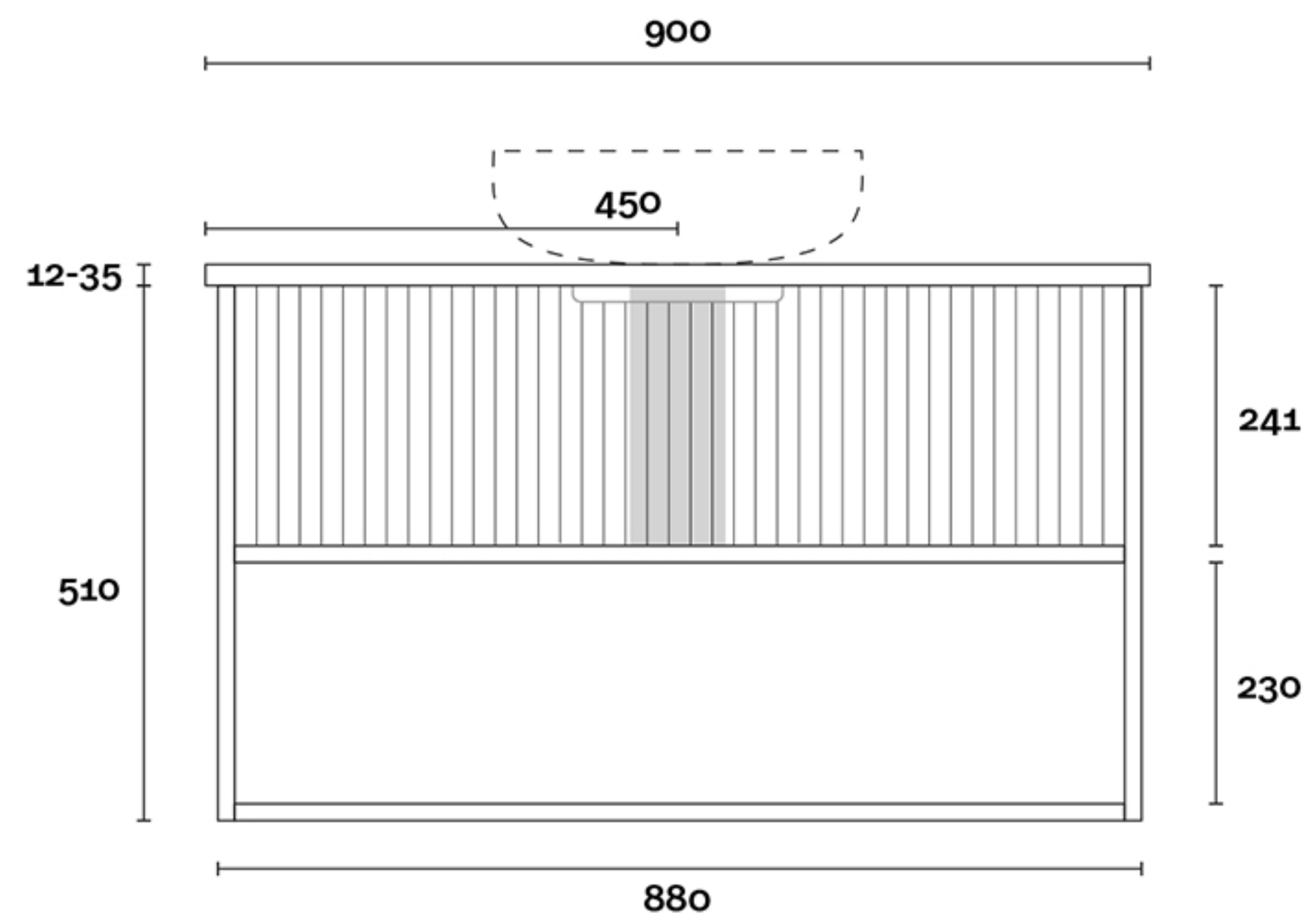


# PROFILE

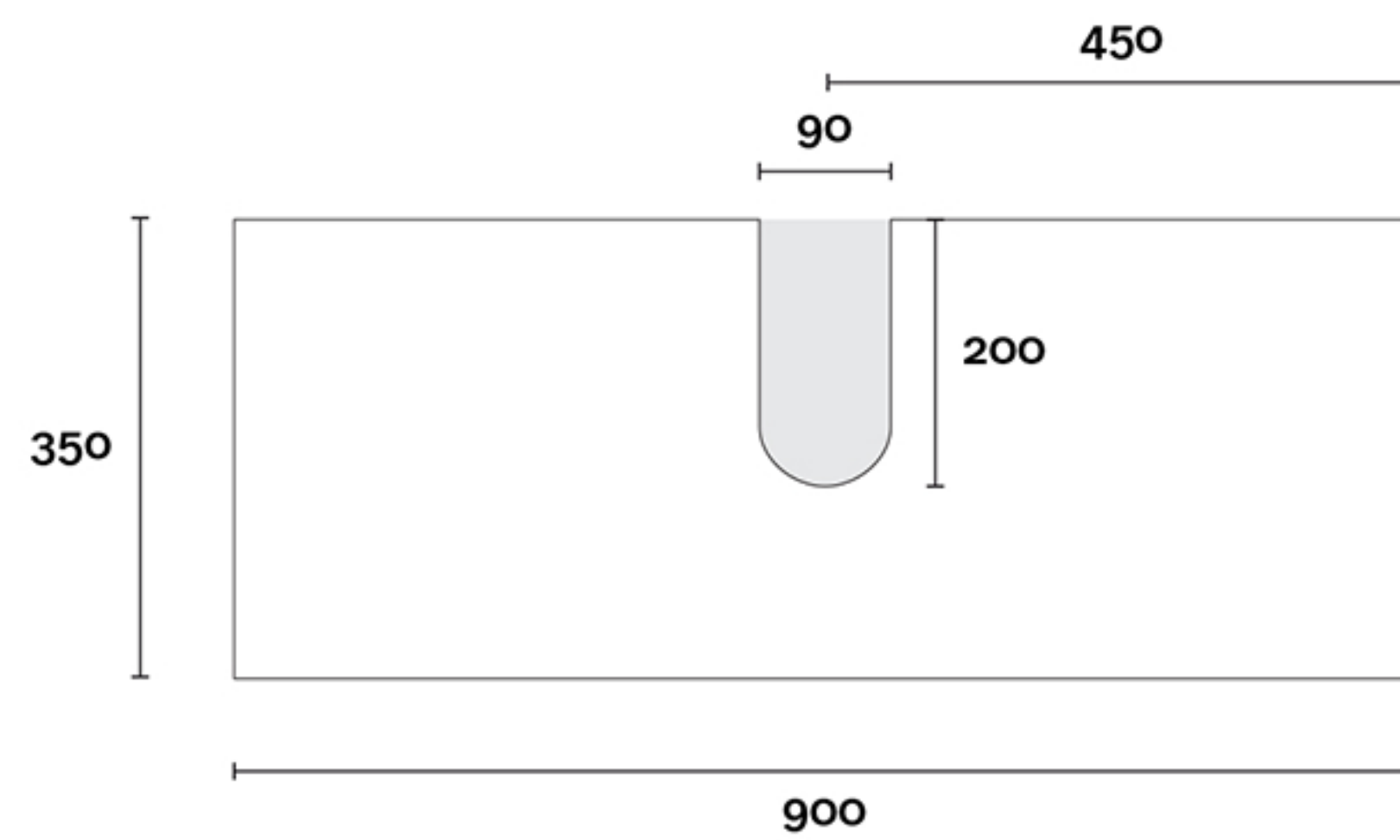


# CONFIGURATION

Wallmount



# TOP DRAWER BOX



Latest version: 22/01/2025