

Chifley 1200mm centre basin

Top Thickness

Symphony: 20mm

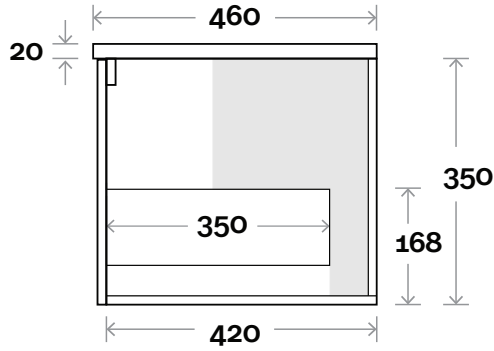
Note:

• Waste centre: 600mm std

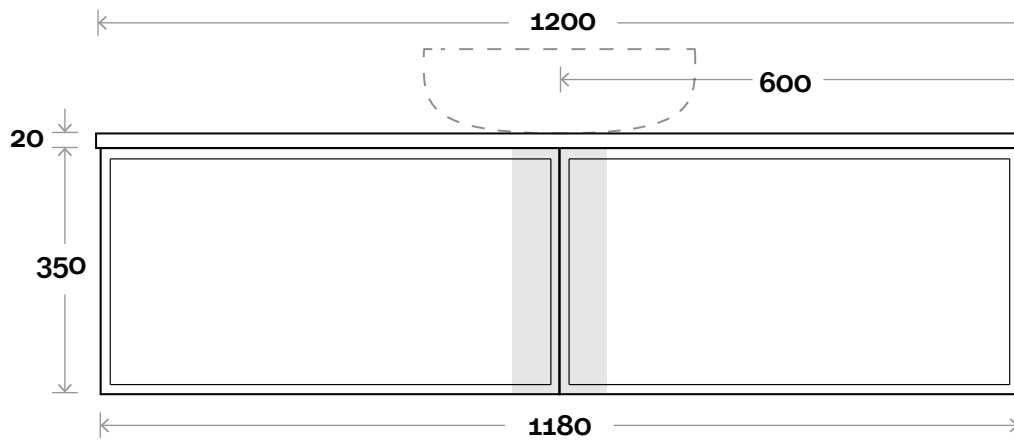


Plumbing allowance

Profile



Configuration



Plumbing Allowance

