

Cove

Cove 600mm centre basin

Top Thickness

Symphony: 20mm

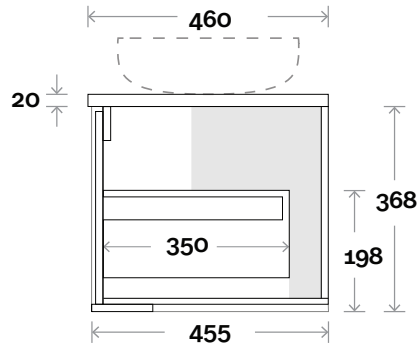
Note:

• Waste centre: 300mm std

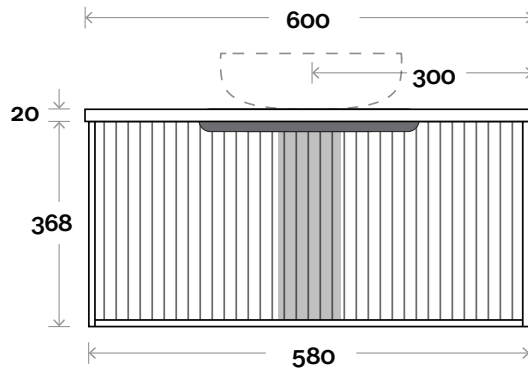


Plumbing allowance

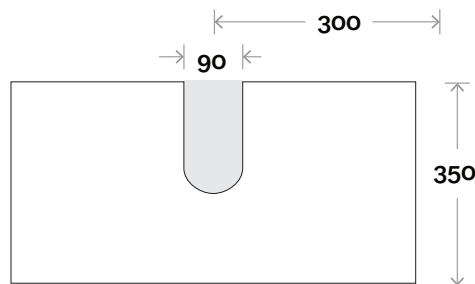
Profile



Configuration



Top Drawer Box



Cove

Cove 750mm centre basin

Top Thickness

Symphony: 20mm

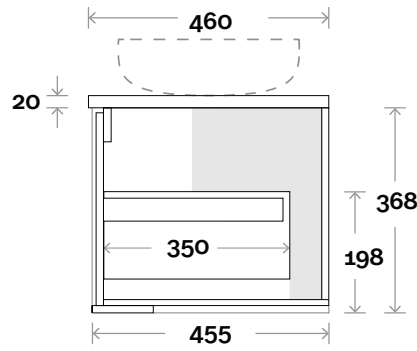
Note:

• Waste centre: 375mm std

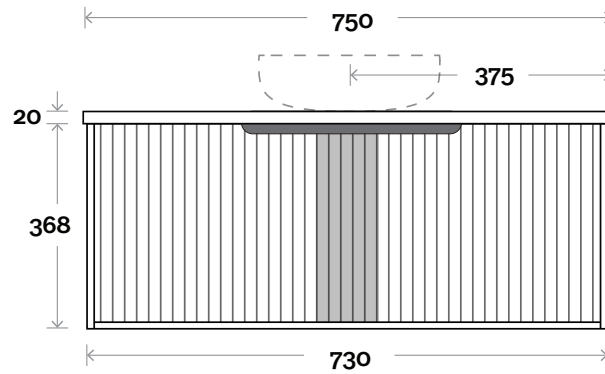


Plumbing allowance

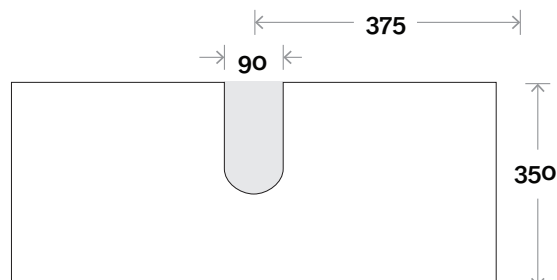
Profile



Configuration



Top Drawer Box



Cove

Cove 900mm centre basin

Top Thickness

Symphony: 20mm

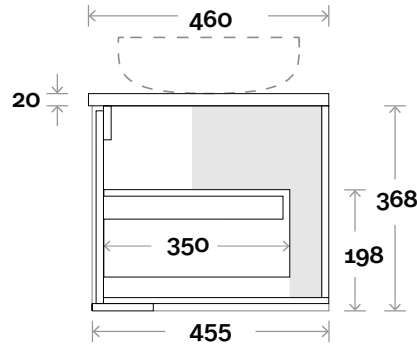
Note:

• Waste centre: 450mm std

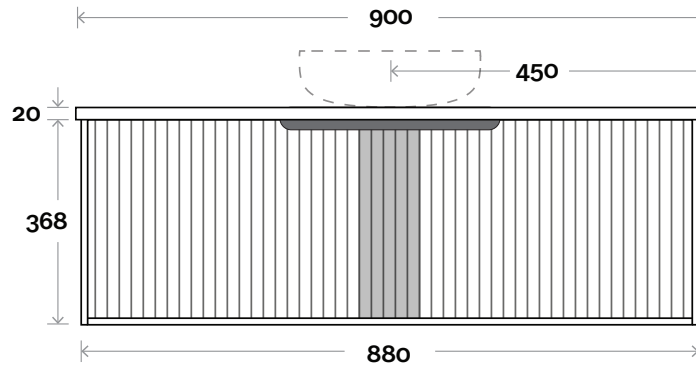


Plumbing allowance

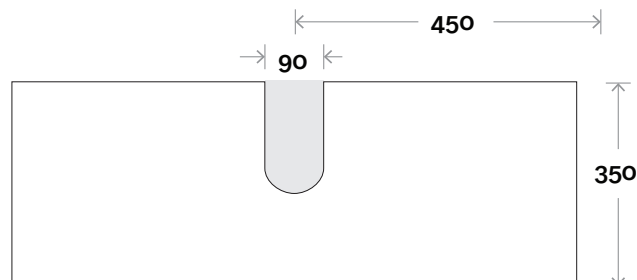
Profile



Configuration



Top Drawer Box



Cove

Cove 1200mm centre basin

Top Thickness

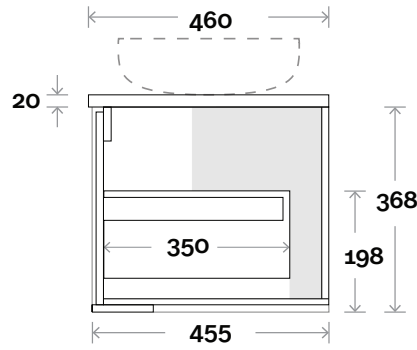
Symphony: 20mm

Note:

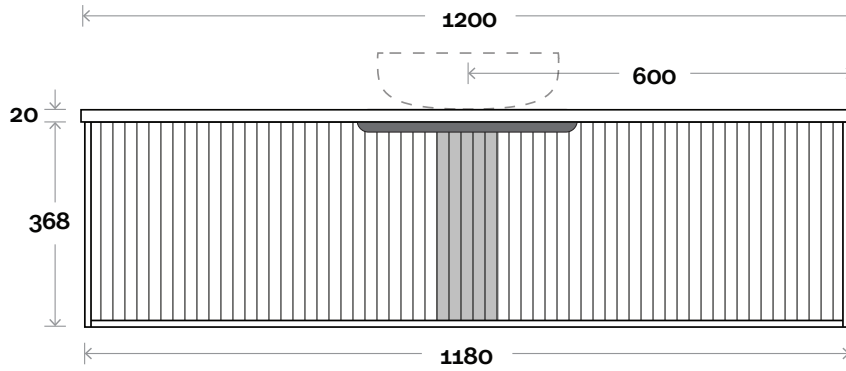
• Waste centre: 600mm std

Plumbing allowance

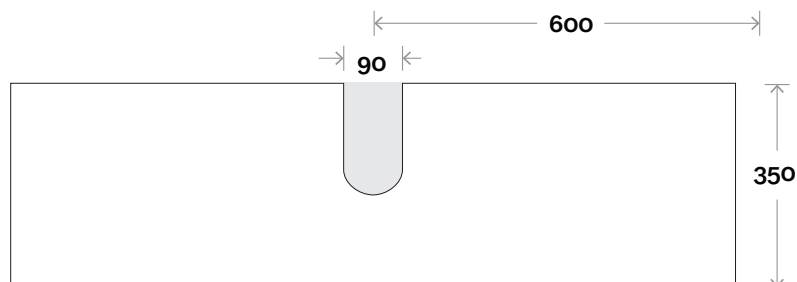
Profile



Configuration



Top Drawer Box



Cove

Cove 1500mm double basin

Top Thickness

Symphony: 20mm

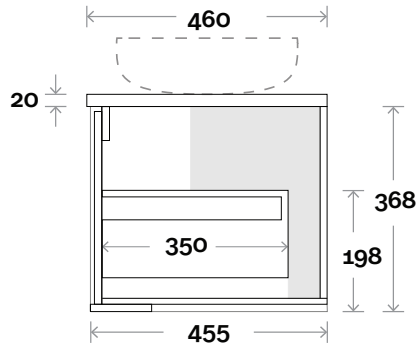
Note:

• Waste centre: 375mm std

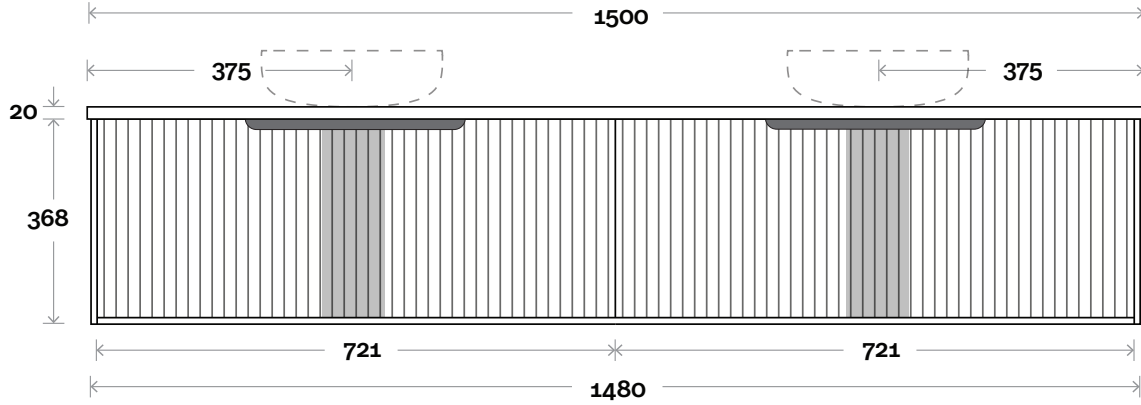


Plumbing allowance

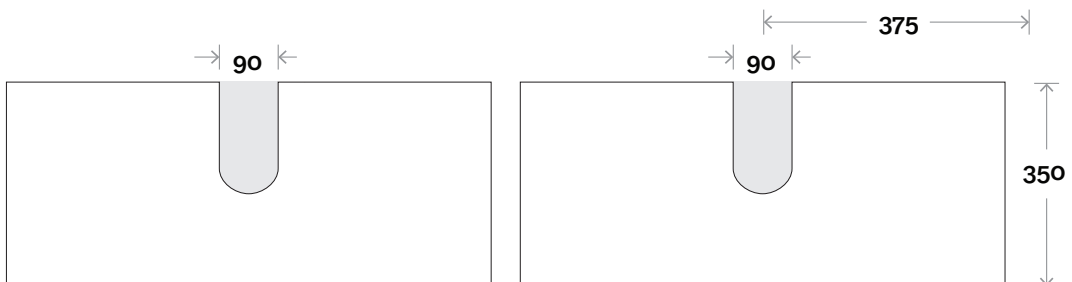
Profile



Configuration



Top Drawer Box



Cove

Cove 1800mm double basin

Top Thickness

Symphony: 20mm

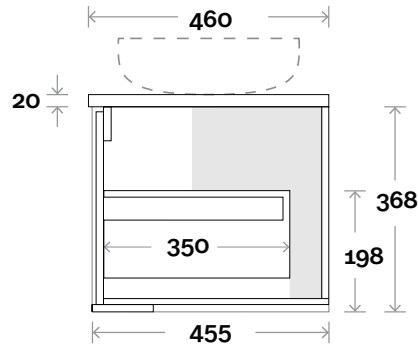
Note:

• Waste centre: 450mm std

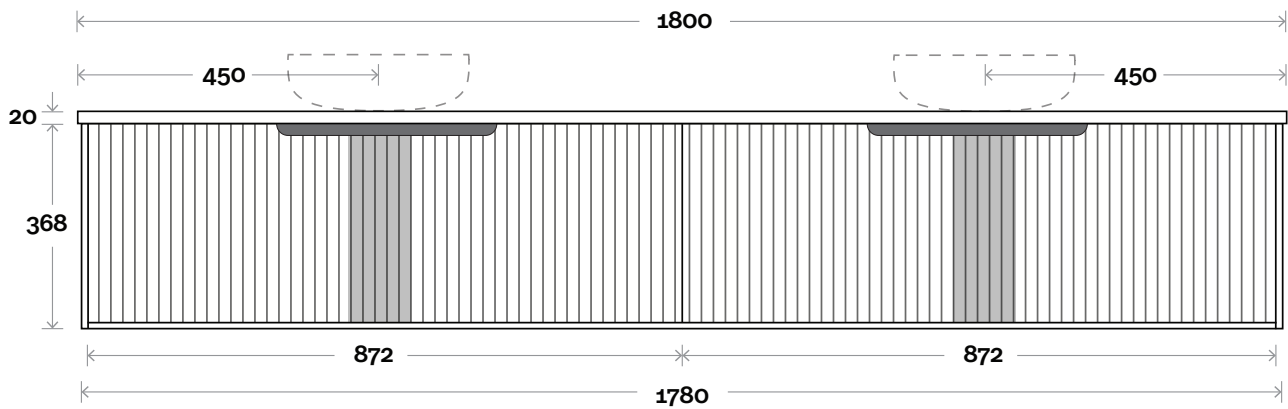


Plumbing allowance

Profile



Configuration



Top Drawer Box

