



Luna Large Circle

PRODUCT CODE
EQLCL-GW, EQLCL-MW

INSTALLATION TYPE
Above counter

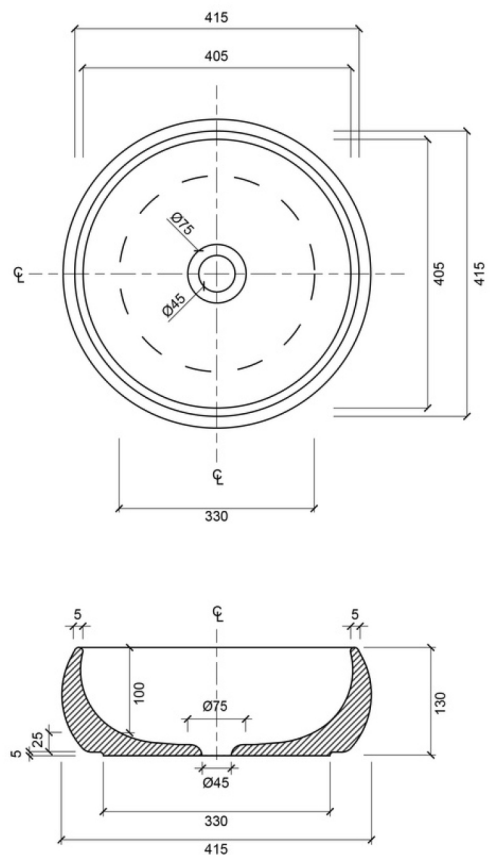
COLOUR & FINISH
Gloss white or matte white

MATERIAL
Vitreous China

OVERFLOW
Without overflow

WASTE
32mm waste (not included)

WARRANTY
5 years manufacturer's warranty



All dimensions are in millimetres and subject to normal manufacturing variations