



## Luna Circle

PRODUCT CODE  
EQLCS-GW, EQLCS-MW

INSTALLATION TYPE  
Above counter

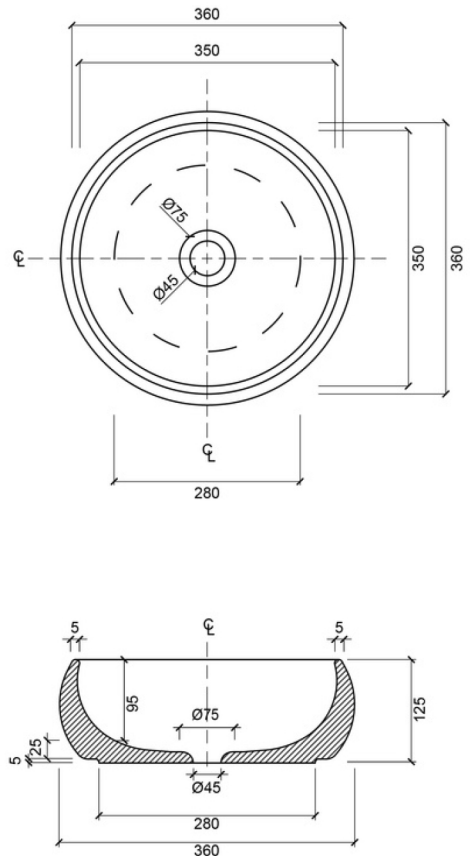
COLOUR & FINISH  
Gloss white or matte white

MATERIAL  
Vitreous China

OVERFLOW  
Without overflow

WASTE  
32mm waste (not included)

WARRANTY  
5 years manufacturer's warranty



All dimensions are in millimetres and subject to normal manufacturing variations