



Fluted Concrete Circle

PRODUCT CODE

EQFCO1-O, EQFCO1-S, EQCO1-W

INSTALLATION TYPE

Above counter

COLOUR

Burnt Orange, Sage Green or White

MATERIAL

Concrete

OVERFLOW

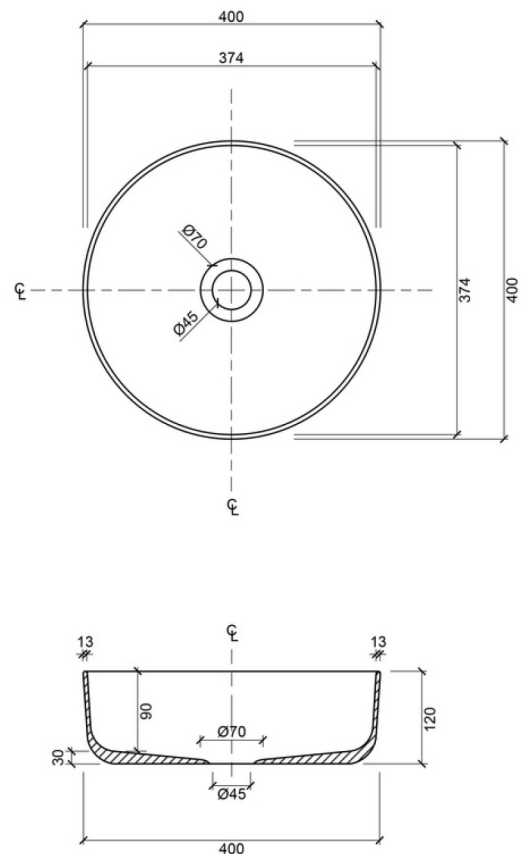
Without overflow

WASTE

32mm waste (not included)

WARRANTY

5 years manufacturer's warranty



All dimensions are in millimetres and subject to normal manufacturing variations