



Fluted Concrete Pop-Up Waste

PRODUCT CODE

EQFCP-O, EQFCP-S, EQFCP-W

COLOUR

Burnt Orange, Sage Green or White

MATERIAL

Concrete top with brass & chrome construction

OVERFLOW

Without overflow

WASTE OUTLET

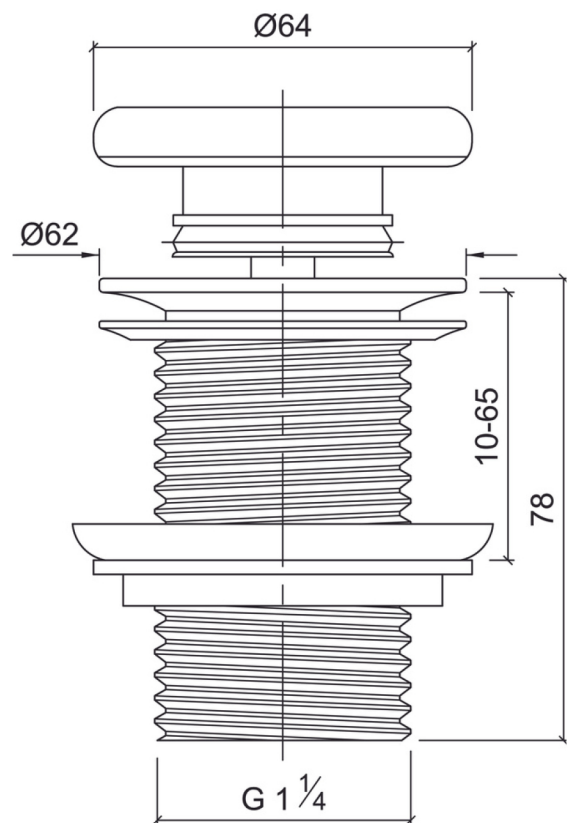
32mm

STANDARDS

Standards & Watermark approved

WARRANTY

1 year manufacturer's warranty



All dimensions are in millimetres and subject to normal manufacturing variations