



Piper Fluted Arch

PRODUCT CODE
EQFL6-GW, EQFL6-MW

INSTALLATION TYPE
Above counter

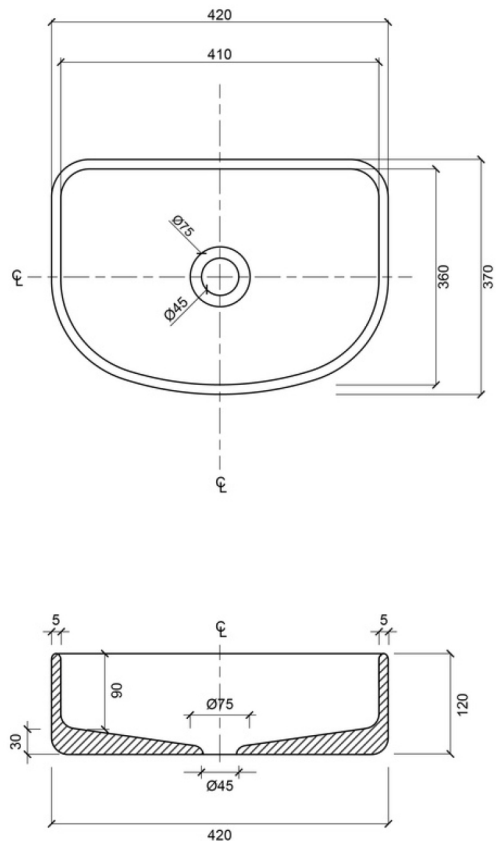
COLOUR & FINISH
Gloss white or matte white

MATERIAL
Vitreous China

OVERFLOW
Without overflow

WASTE
32mm waste (not included)

WARRANTY
5 years manufacturer's warranty



All dimensions are in millimetres and subject to normal manufacturing variations