



PRODUCT CODE
EQCO1-B, EQCO1-C,
EQCO1-G, EQCO1-O, EQCO1-W

INSTALLATION TYPE
Above counter

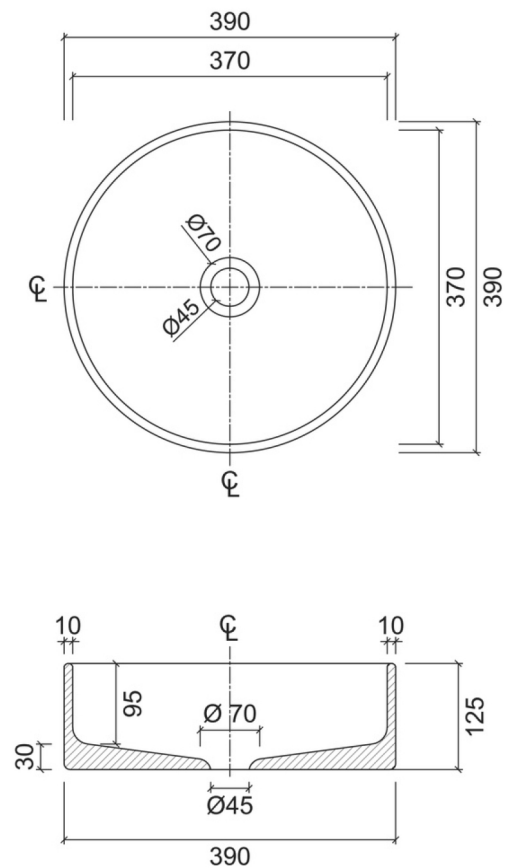
COLOUR
Blush, Charcoal, Grey, Oat or White

MATERIAL
Concrete

OVERFLOW
Without overflow

WASTE
32mm waste (not included)

WARRANTY
5 years manufacturer's warranty



All dimensions are in millimetres and subject to normal manufacturing variations