



EIGHT QUARTERS



Amaroo Circle

PRODUCT CODE

EQXIAM2-GW, EQXIAM2-W,
EQXIAM2-B, EQXIAM2-G

INSTALLATION TYPE

Above counter

COLOUR & FINISH

Gloss white, matte white, matte black
or matte grey

MATERIAL

Vitreous China

OVERFLOW

Without overflow

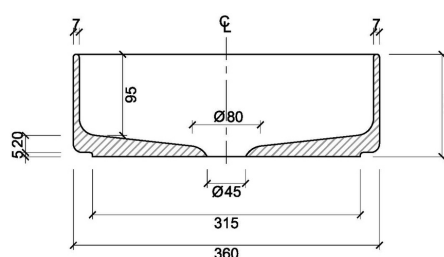
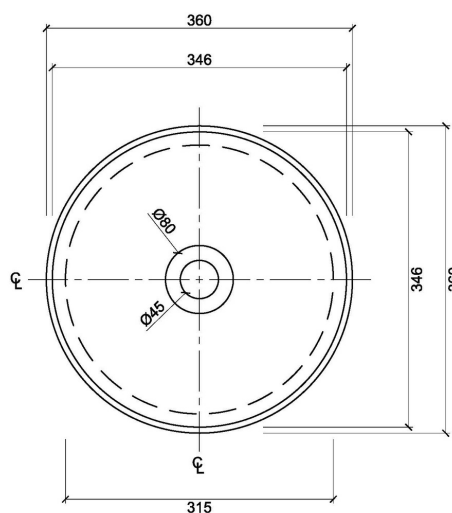
WASTE

32mm waste (not included)

WARRANTY

5 years manufacturer's warranty

www.eightquarters.com.au



All dimensions are in millimetres and subject to normal manufacturing variations