

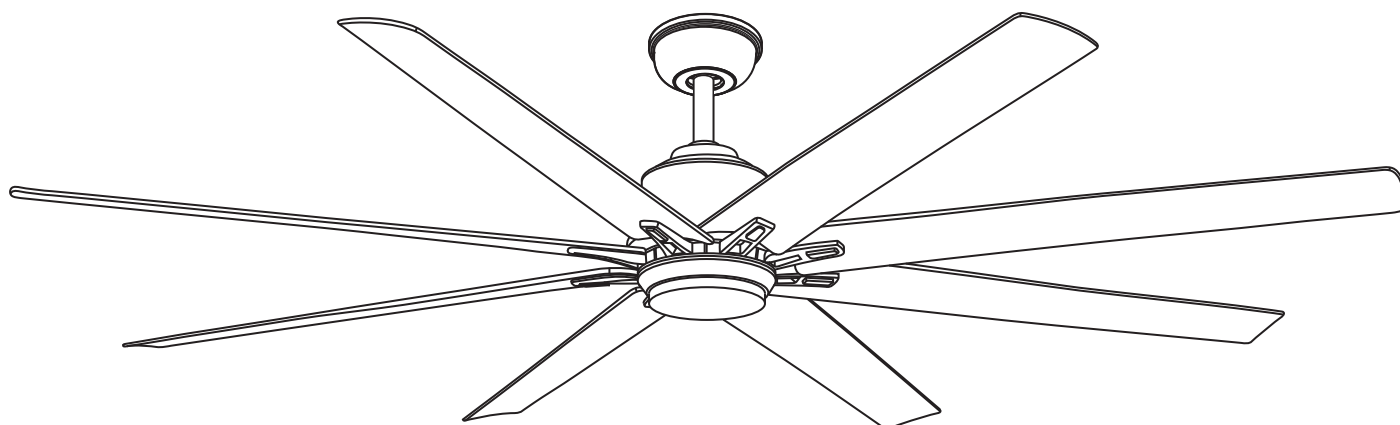


OWNERS INSTRUCTION MANUAL

183CM/72”

Kensington DC

WITH 17W LED LIGHT



MODEL NO. KEN72OBLED

CAUTION

READ INSTRUCTIONS CAREFULLY FOR SAFE
INSTALLATION AND FAN OPERATION. IF UNSURE CONSULT
A QUALIFIED ELECTRICIAN

SUITABLE FOR 230V/50 CYCLE ELECTRICAL SUPPLY

WEIGHT OF FAN, N.W.: 11.8 KGS, G.W.: 13.2 KGS

Table of Contents

Table of Contents	2	Operation	12
Safety Information	2	Care and Cleaning	13
Pre-installation	3	Troubleshooting	14
Assembly	5		

Safety Information

1. This appliance is not intended for use by persons (including children) with reduced physical, sensory or mental capabilities, or lack of experience and knowledge, unless they have been given supervision or instruction concerning use of the appliance by a person responsible for their safety.
2. Children should be supervised to ensure that they do not play with the appliance.
3. To ensure the success of the installation be sure to read the instructions and study the diagrams thoroughly before commencing.
4. This fan **MUST** be installed with an easily accessible isolated device to disconnect all poles of the fan from the main supply.
5. Electrical installation must be performed by a licensed electrician.
6. Do not connect the fan motor to a dimmer switch (solid state). This may give an unsatisfactory performance (motor hum) and cause damage to the motor.
7. **The fan must be earthed.**
8. All electrical work should only be undertaken after disconnection of the power by removing fuses or turning off the circuit breaker to ensure all pole isolation of the electrical supply. If you are in any doubt the services of a qualified electrician should be sought to ensure that all work is carried out in accordance with AS/NZS 3000 Wiring Rules, current good practice and other national and local electrical codes.
9. The fixing point for the fan must be able to support a weight of 48kg. Net weights can be found on the bottom of the unit's box. If you are mounting the fan to a ceiling junction box, the box and it's fixing must be able to support the moving weight of the fan and must not twist or work loose.
10. Make sure that your installation site will not allow the rotating fan blades to come into contact with any object and that there is a minimum clearance of 150mm from the blade tip to the wall or ceiling. Please note that the bigger this clearance is the better the airflow from your fan will be. Ensure the blades are mounted at a minimum height of 2.1 meters from the floor when the fan is installed.
11. **Electrical installation must be performed by a licensed electrician.**
12. Do not insert anything into the fan blades while the fan is operating. This will damage the blades and upset the balance of the unit causing the unit to wobble.
13. After the fan is completely installed make sure that all connections are secure and tight to prevent any problems. Because of the fan's natural movement, some connections may loosen. Check the support connections, brackets and blade attachments twice a year to make sure they are all secure. If they are loose tighten with a screwdriver. (It is not necessary to take the fan down from the ceiling)

NOTE: The important safeguards and instructions given in this manual are not meant to cover all possible conditions and situations that may occur. It must be understood that common sense, caution and care are factors, which cannot be built into any product. These factors must be supplied by the persons caring for and using the unit.

The light source is non-user replaceable. The LED lamp panel must be replaced by a licensed electrician.

Pre-Installation

TOOLS REQUIRED



HARDWARE INCLUDED



NOTE: Hardware not shown to actual size.

- A. Plastic wire nuts (3)
- B. Blade attachment screws and rubber washers (25)
- C. 1.5V AAA batteries (2)



A



B



C



**MUST BE INSTALLED
BY A LICENSED
ELECTRICIAN**

Electricians and Installers:

We are here to help you. Please call our support line if you have any questions or need assistance with installing or wiring the product.

Customers and Purchasers:

Please call our Australian Support Team directly should you have any questions or concerns, or if you would like advice on the best ways to use your fan to save energy.

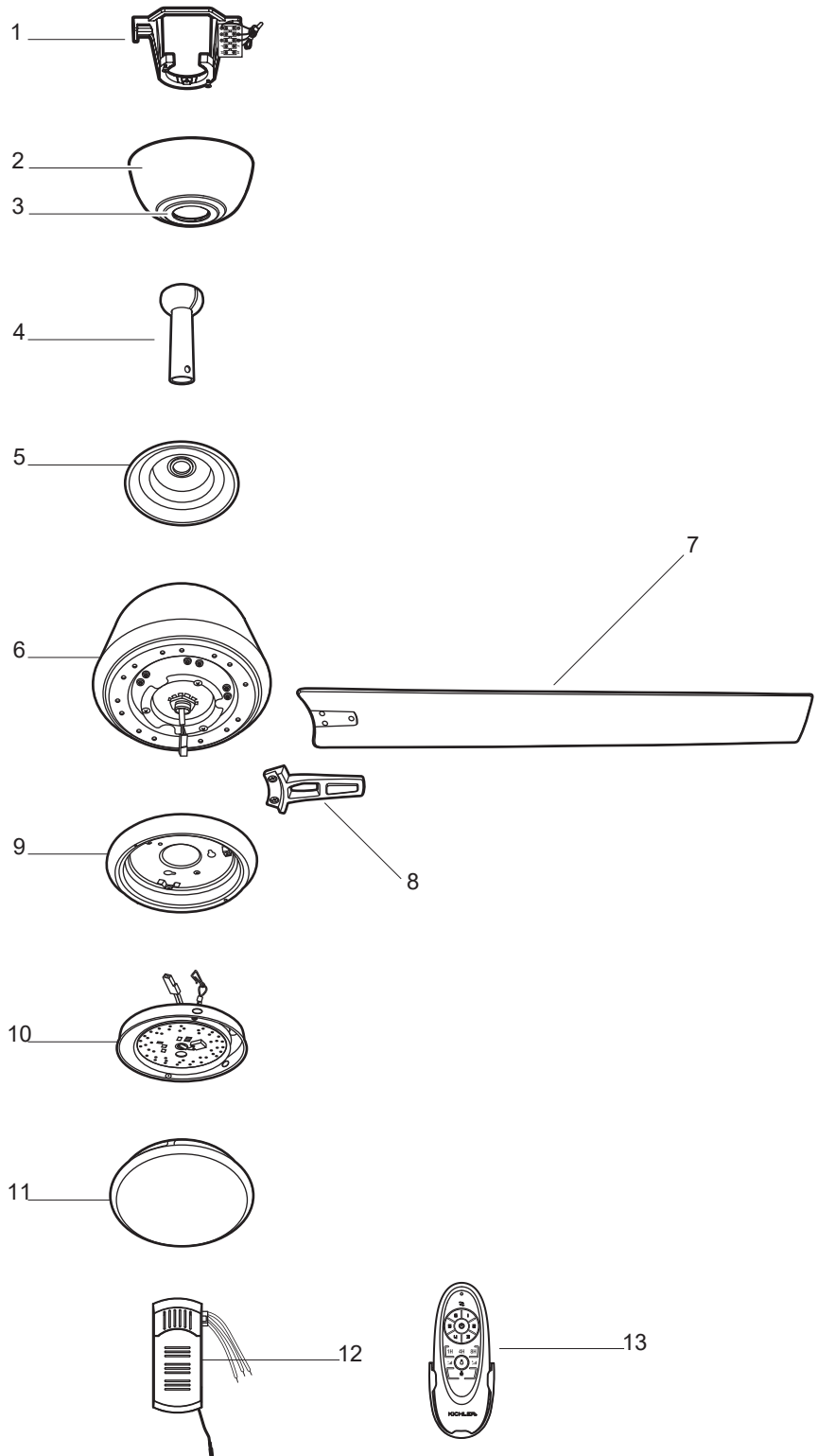
ThreeSixty Support and Information Line:

1300 469 326

Pre-Installation (continued)

PACKAGE CONTENTS

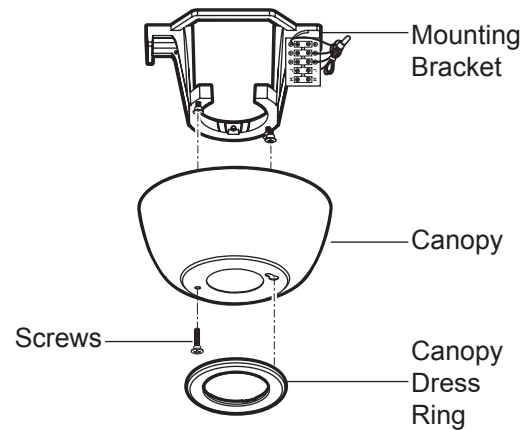
1. Mounting bracket (preassembled)
2. Canopy
3. Canopy dress ring (preassembled)
4. Hanger ball/downrod assembly
5. Coupling cover
6. Fan motor assembly
7. Blades (8)
8. Blade arms (8)
9. Light kit mounting plate
10. 17W LED Light kit assembly
11. Glass shade
12. Receiver
13. Remote control



Assembly

1 Preparing the canopy

- Remove the canopy dress ring from the canopy by turning the dress ring counterclockwise.
- Remove the mounting bracket from the canopy by removing the non-slotted canopy mounting screw from the bottom of the canopy and loosening the slotted canopy mounting screw a half turn from the screw head. Next, turn the canopy counterclockwise to remove the mounting bracket from the canopy.



2 Assembling the fan

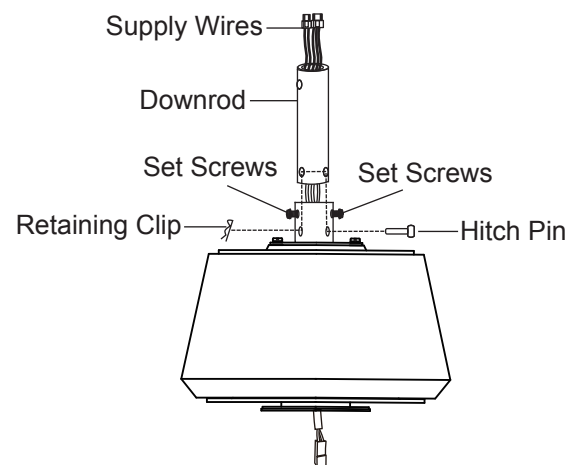
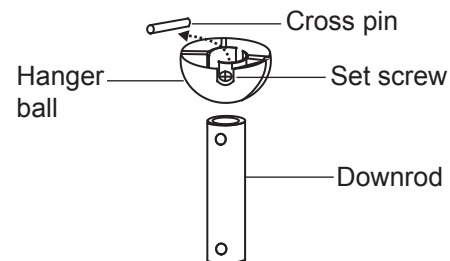


WARNING: Failure to properly install the cotter pin could result in the fan becoming loose and possibly falling.



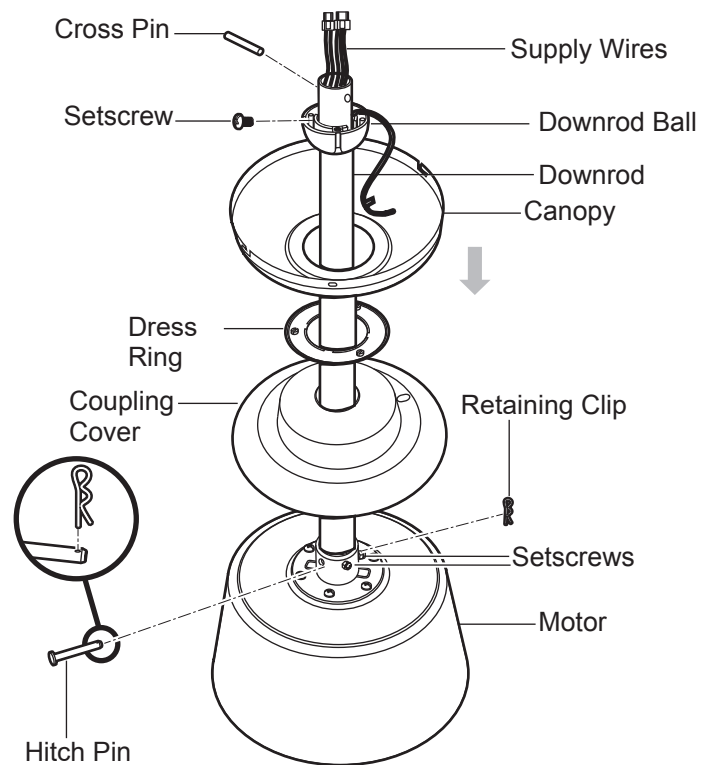
NOTE: If a longer downrod is needed (not included), take out the screw located in the hanger ball, lower the hanger ball and remove the pin. Remove all three pieces from the downrod, and assemble them onto the new longer downrod before proceeding step 3.

- Remove the hanger ball from the downrod assembly by loosening the set screw, removing the cross pin and lift the ball off the rod.
- Loosen the two set screws and remove the hitch pin and retaining clip from the coupling on top of the motor assembly.
- Carefully feed the electrical lead wires from the fan up through the downrod. Thread the downrod into the coupling until the Hitch pin holes are aligned.
- Next, replace the hitch pin and retaining clip. Tighten both set screws.



Assembly (continued)

- Slip the coupling cover, canopy cover and canopy onto the downrod.
- Carefully reinstall the hanger ball onto the downrod, being sure that the cross pin is seated in the correct position, the setscrew is tightened and wires are not twisted.



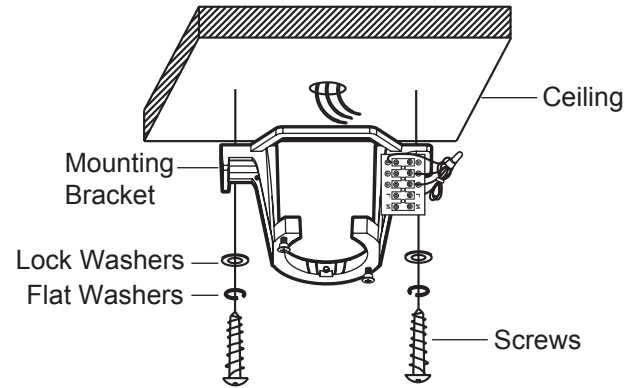
Assembly — Hanging the Fan

3 Hanger bracket installation



WARNING: The hanger bracket should be screwed on to a firm flat surface. The fixing location must be able to support 48kg.

- Screw the hanger bracket to the ceiling and make sure all connections are secure to prevent the fan from falling.
- Fixings must screw into a joist and not just the plasterboard. Loosen the two canopy screws from the hanger bracket.

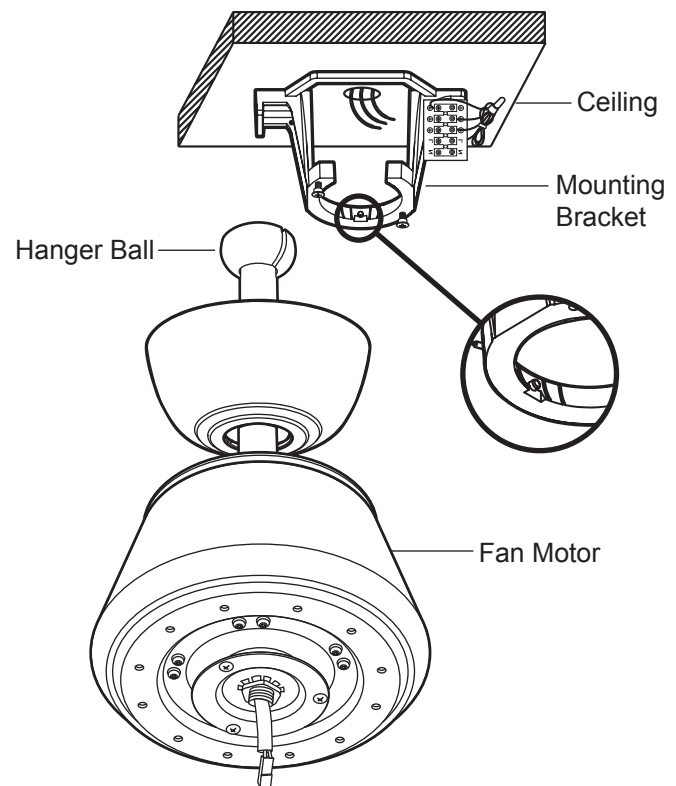


4 Hanging the fan to the mounting bracket



WARNING: The tab in the ring must rest in the groove of the hanger ball/downrod assembly. Failure to properly seat the tab in the groove could cause damage to the wiring.

- Carefully lift the fan motor assembly up to the mounting bracket and seat the hanger ball/downrod assembly in the mounting bracket socket. Make sure the tab on the mounting bracket socket is properly seated in the groove in the hanger ball/downrod assembly. This will help to balance the ceiling fan and prevent hanger ball rotation.



Assembly — Hanging the Fan

5 Making the electrical connections

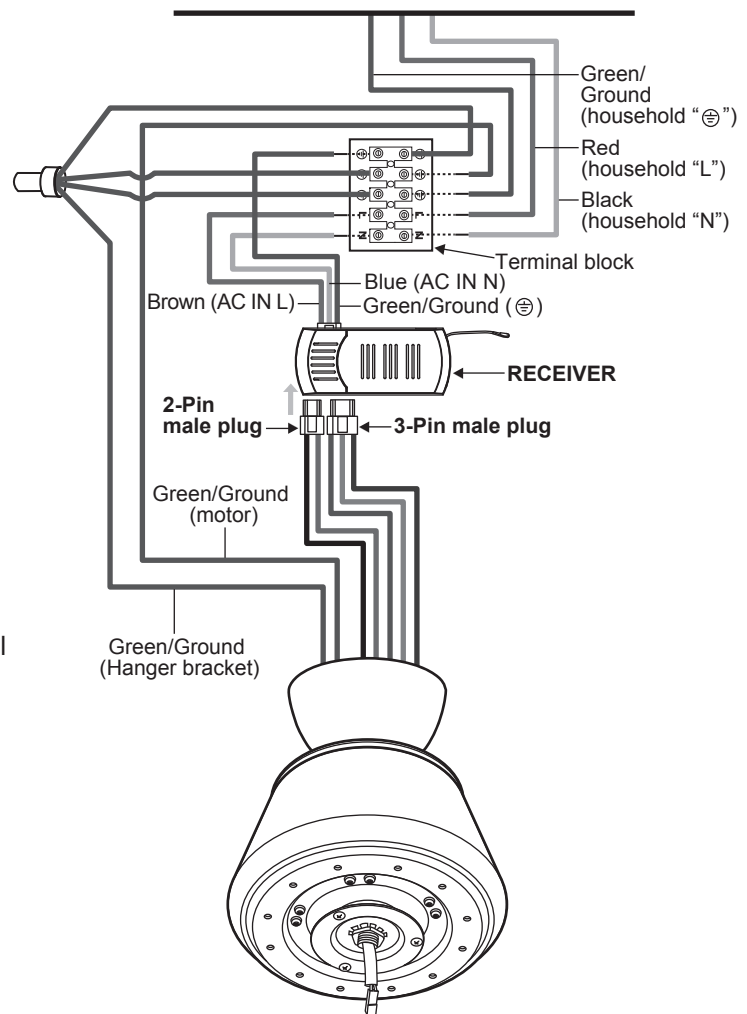
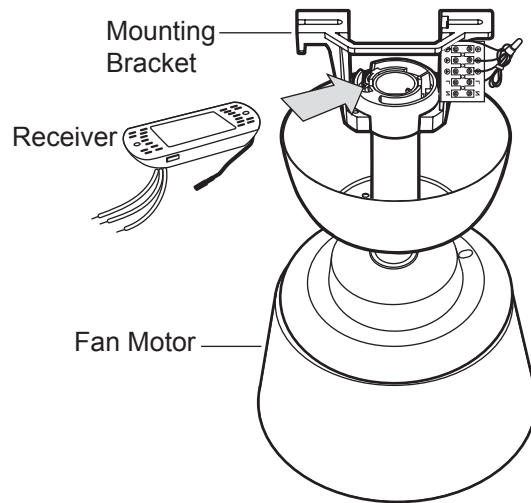


WARNING: To avoid possible electrical shock, be sure you have turned off the power at the main circuit panel. Follow the steps below to connect the fan to your household wiring.

NOTE: This unit is equipped with an automatically learned type remote control. There are no frequency switches on the receiver and transmitter; the receiver unit will automatically scan the frequency from the handheld remote if any changes are made. Should you desire to install another fan within the same home or area with a separate frequency code please see the "Learn Mode Process" operating the remote control section of this instruction manual to learn how to change the frequency.

- Insert Receiver into Hanger Bracket with the flat side of the Receiver facing the ceiling.
- Connect the green/ground wires from the household to the terminal block "⊖" hole.
- Connect the green/ground wires from the motor to the terminal block "⊖" hole.
- Connect the hot household (red) wire to the terminal block "L" hole.
- Connect the neutral household (black) wire to the terminal block "N" hole.
- Connect the green/ground wire from the receiver to the terminal block "⊖" hole.
- Connect the brown wire from the receiver to the terminal block "L" hole.
- Connect the blue wire from the receiver to the terminal block "N" hole.
- Be sure to connect the 2-pin and 3-pin male plugs (from fan) to the receiver.

Ensure you install a means of electrical disconnection (double pole isolation switch) of both poles into your fixed wiring in accordance with the electrical wiring rules.



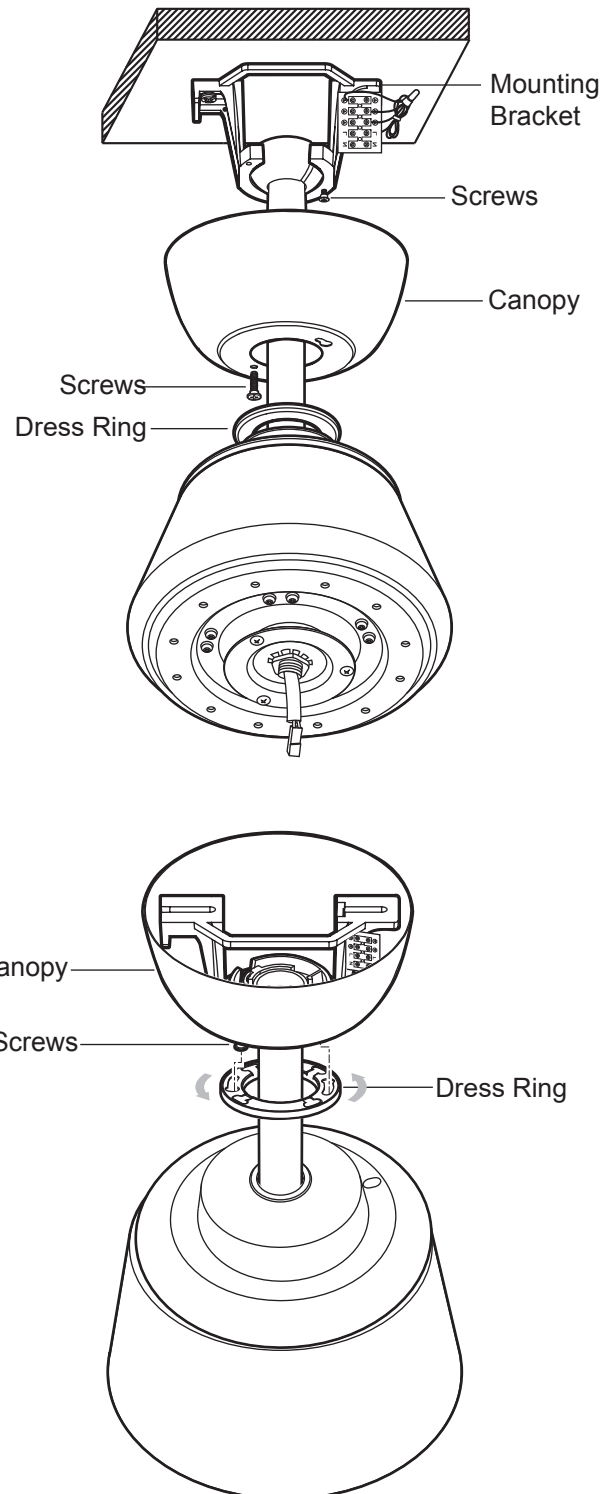
Assembly — Hanging the Fan (continued)

6 Installing the canopy



WARNING: Make sure the tab on the mounting bracket properly sits in the groove in the hanger ball before attaching the canopy to the mounting bracket by turning the downrod hanger ball until it drops into place.

- Make sure connections are neatly tucked into the ceiling canopy. Electrical tape to hold excess wiring is useful.
- Slide the canopy up to the mounting bracket and place the key hole on the canopy over the loose canopy mounting screw on the mounting bracket. Turn the canopy clockwise until it locks in place at the narrow section of the key holes.
- Align the circular hole on the canopy with the remaining hole on the mounting bracket, secure the canopy mounting screws previously removed in the hole, and tighten the two canopy mounting screws.
- Attach the canopy dress ring to the canopy mounting screw heads by inserting the screw heads into the key slots in the dress ring and rotating it clockwise.



Assembly — Attaching the Fan Blades

7 Attaching the Fan blades

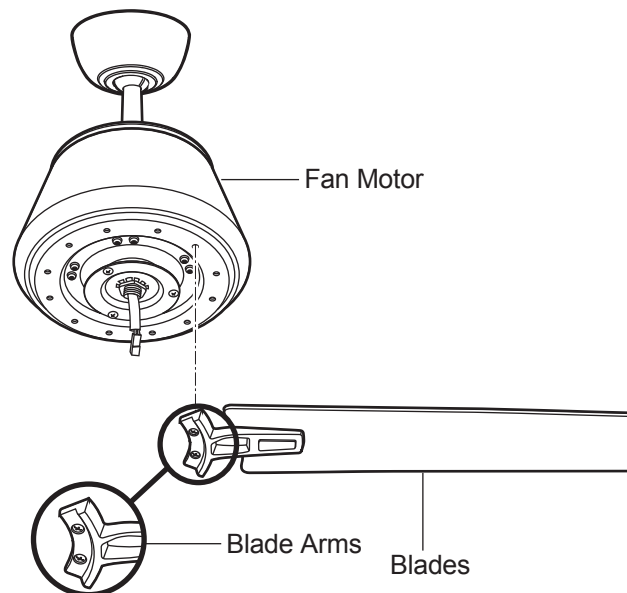
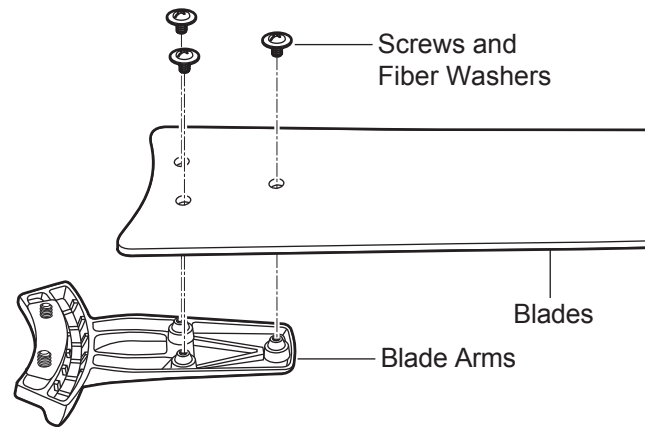


NOTE: Your fan blades (H) are reversible. Select the blade (H) side finish which best accentuates your decor.



WARNING: To reduce the risk of personal injury, do not bend the blade arms while installing, balancing the blades, or cleaning the fan. Do not insert foreign objects between rotating fan blades.

- The fan motor assembly is shipped with rubber packing mounts to prevent movement during transportation. Remove the six rubber packing mounts from the fan motor assembly and discard prior to attaching the blade arms.
- Attach the blades to the blade arms using the three blade attachment screws and fiber washers. Start a screw with fiber washer into the blade arms, but do not tighten.
- Repeat for the two remaining blade attachment screws and fiber washers.
- Tighten each screw securely starting with the center screw. Make sure the blade is straight.
- Repeat these steps for the remaining blades.
- Fasten the blade assemblies to the fan motor assembly.
- Tighten the two blade arm screws and lock washers already installed in the blade arms.
- Repeat this procedure for the remaining blade arms.



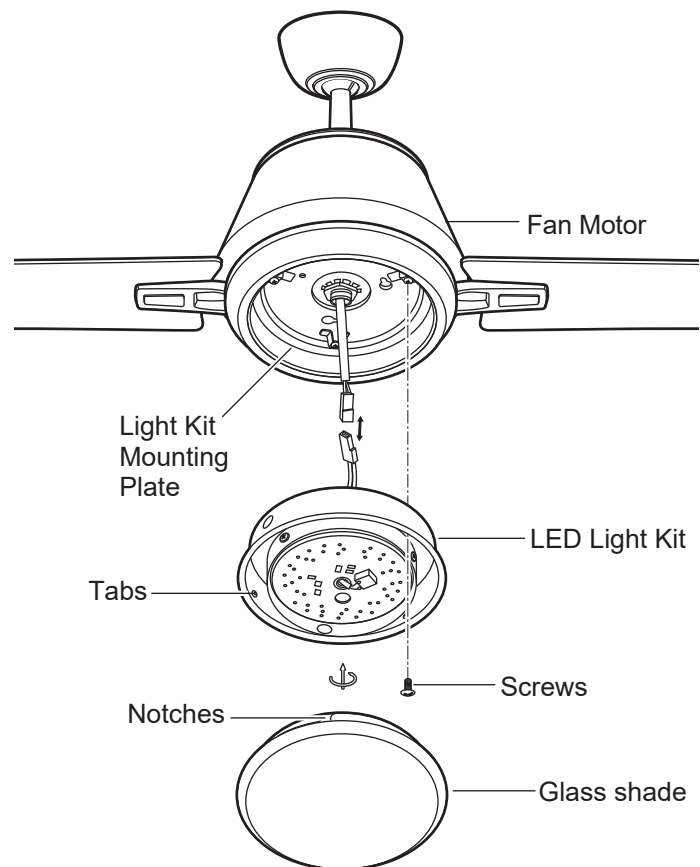
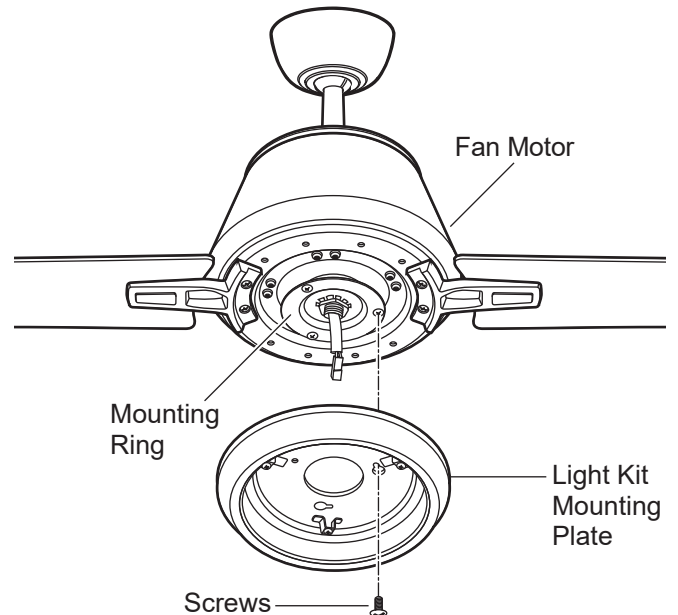
Assembly — Installing the Light Kit

8 Attaching the LED light kit



CAUTION: Before starting installation, disconnect the power by turning off the circuit breaker or removing the fuse at the fuse box. Turning power off using the fan switch is not sufficient to prevent electric shock.

- Remove one of the three light kit mounting plate screws from the mounting ring and loosen the other two screws. (Do not remove.)
- Place the key holes in the light kit mounting plate over the two screws previously loosened from the mounting ring. Turn the light kit mounting plate until the light kit mounting plate locks in place at the narrow section of the key holes.
- Replace the removed mounting plate screw and tighten. Now securely tighten the other two screws previously loosened.
- Remove one of the three light kit mounting screws from the light kit mounting plate and loosen the other two screws. (Do not remove.)
- While holding the 17W LED light kit under the fan motor assembly, make the 2-pin wire connections:
 - White to white
 - Black to black
- Place the key holes in the LED light kit over the two mounting screws previously loosened from the light kit mounting plate. Turn the LED light kit until the LED light kit locks in place at the narrow section of the key holes. Secure by tightening the two light kit mounting screws previously loosened and the one previously removed.
- Position the notches in the outer rim of the glass shade so they line up with the tabs on the inside of the rim on the LED light kit. Carefully lift the glass shade up inside the LED light kit and secure it to the fan by turning the glass shade clockwise until snug. **DO NOT OVERTIGHTEN.**



Operation

Remove the set screw on the back of transmitter, take out the battery cover. Insert two 1.5 volt AAA batteries (included).

LEARN MODE PROCESS

Step 1. Control and receiver have been factory programmed. If replacing the transmitter or receiver, the learn mode process will need to be used.

Step 2. After installing the unit and restoring power to your fan, press and hold the "⏻" button 3~5seconds. Light will flash twice and the motor spin, which indicates that the learning process has completed.

IMPORTANT: You must press the "⏻" button within 60 seconds of restoring power to the fan. Remote does not need to be re-learned when replacing the battery.

Step 3. Please note, the remote can learn multiple receivers. Please make sure not to learn with other receiver during the learning process.

Step 4. Re-install the battery cover.

WARNING:

- non-rechargeable batteries are not to be recharged
- exhausted batteries are to be removed from the appliance and safely disposed of.
- if the appliance is to be stored unused for a long period, the batteries are removed.
- the supply terminals are not to be short-circuited.

OPERATING THE REMOTE CONTROL

To prevent damage to transmitter, remove the battery if not used for long periods.

A. 1, 2, 3, 4, 5, 6 Buttons:

These buttons are used to set the fan speeds as follows:

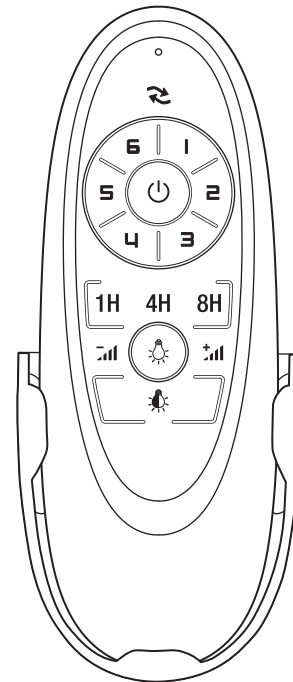
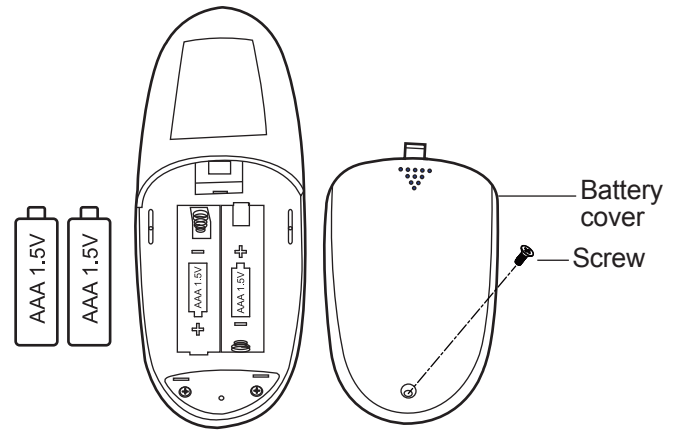
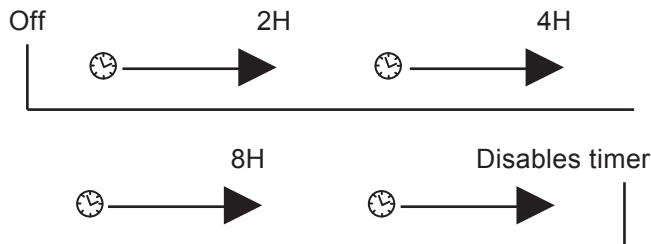
- | | |
|----------------------|-----------------------|
| 1 : Minimum Speed | 4 : Medium Speed |
| 2 : Low Speed | 5 : Medium High Speed |
| 3 : Medium Low Speed | 6 : High Speed |

B. ⏻ Button:

This button turns the fan off. When fan is turned off, a momentary increase in speed can occur before the fan slows and then finally stops.

C. Timer ⌚

Pressing the timer buttons will automatically turn fan and light (if light is on) off after 2, 4, or 8 hours.



D. ⌚ Button:

This button is used to turn on the light kit and also controls the brightness setting. Press and release this button to turn the light on. Press and hold "📶" button to set the desired brighten. Press and hold "📶" button to set the desired darken. The light button has an auto-resume, it will stay at the same brightness as the last time it was turned off.

E. ⌚ Button:

This button is used to turn on the light kit off.

F. ⏪ Button:

Forward/Reverse (see next page)

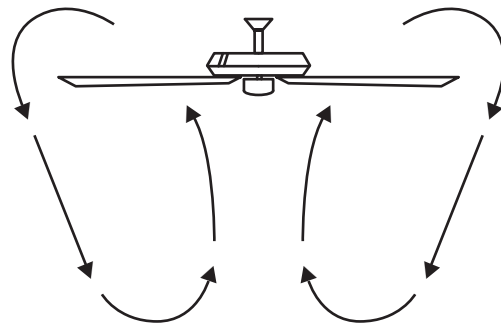
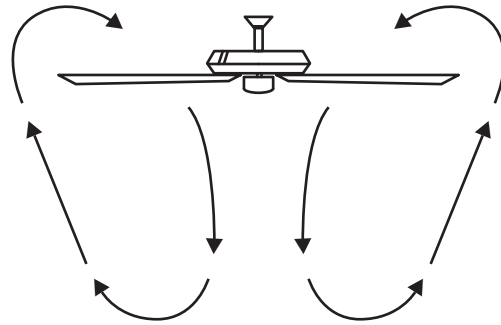
Operation (continued)

REVERSE BUTTON OPERATING INSTRUCTIONS

This control system is designed to "Reverse" the rotation of the blades.

Warm weather - Forward (counter clockwise) A downward airflow creates a cooling effect as shown. This allows you to set your air conditioner on a warmer setting without affecting your comfort.

Cool weather - Reverse (clockwise) An upward airflow moves warm air off the ceiling area as shown. This allows you to set your heating unit on a cooler setting without affecting your comfort.



Care Of Your Fan

Here are some suggestions to help you maintain your fan:

1. Because of the fan's natural movement, some connections may become loose. Check the support connections, brackets, and blade attachments twice a year. Make sure they are secure. (It is not necessary to remove fan from ceiling.)
2. Clean your fan periodically to help maintain its new appearance over the years. Use only a soft brush or lint-free cloth to avoid scratching the finish. The plating is sealed with a lacquer to minimize discoloration or tarnishing. Do not use water when cleaning. This could damage the motor, or the wood, or possibly cause an electrical shock.
3. You can apply a light coat of furniture polish to the wood blades for additional protection and enhanced beauty. Cover small scratches with a light application of shoe polish.
4. There is no need to oil your fan. The motor has permanently lubricated bearings.

IMPORTANT

MAKE SURE THE POWER IS OFF AT THE ELECTRICAL PANEL BOX BEFORE YOU ATTEMPT ANY REPAIRS.
REFER TO THE SECTION "MAKING ELECTRICAL CONNECTIONS".

Troubleshooting

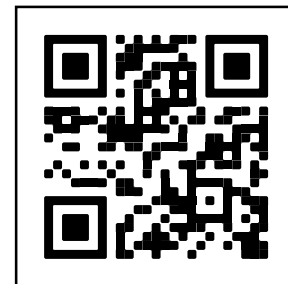
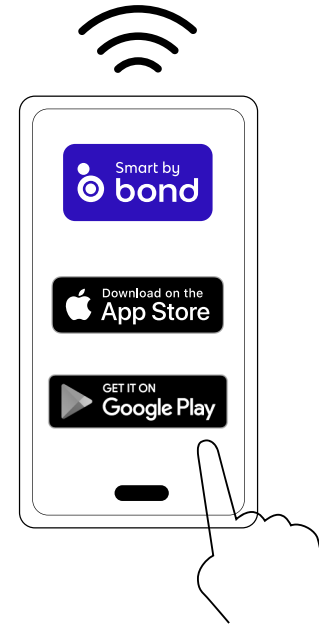
Problem	Solution
Fan will not start.	<ol style="list-style-type: none">1. Check circuit fuses or breakers.2. Check all electrical connections to insure proper contact. CAUTION: Make sure the main power is OFF when checking any electrical connection.3. Check that the battery of the remote is functional.
Fan sounds noisy.	<ol style="list-style-type: none">1. Make sure all motor housing screws are snug.2. Make sure the screws that attach the fan blade brackets to the motor are tight.3. Make sure wire nut connections are not rubbing against each other or the interior wall of the switch housing. CAUTION: Make sure main power is off.4. Allow a 24-hour "breaking-in" period. Most noise associated with a new fan disappear during this time.5. Make sure the upper canopy is a short distance from the ceiling. It should not touch the ceiling.6. Do not connect the fan with a wall mounted variable speed control(s). They are not compatible with DC motors.
Fan wobble.	<ol style="list-style-type: none">1. Check that all blade and blade arm screws are secure.2. Most fan wobbling problems are caused when blade levels are unequal. Check this level by selecting a point on the ceiling above the tip of one of the blades. Measure this distance (from floor or ceiling). Rotate the fan until the next blade is positioned for measurement. Repeat for each blade. The distance deviation should be equal within 1/8" (3mm).3. Use the enclosed Blade Balancing Kit if the blade wobble is still noticeable.4. If the blade wobble is still noticeable, interchanging two adjacent (side by side) blades can redistribute the weight and possibly result in smoother operation.
Remote control malfunction.	<ol style="list-style-type: none">1. Replace the batteries in the remote control handpiece.

Smart Ceiling Fan Wi-Fi Control (optional)

Without Wi-Fi activation, you will not enjoy the expanded features and functionality of your ceiling fan: Breeze speed settings, creating schedules and Voice Activation.

To enjoy all the potential of your new device, refer to the following steps to complete the Smart Setup.

1. Download the **Bond Home App**, available on the Google Play Store and Apple App Store, or use the QR code to download the app.
2. Open the **Bond Home App**.
3. If you already have a Bond account, simply log in and continue to **Step 4**. If you do not have a Bond account, press "**Create Account**" and enter your name, email and a password.
4. Select "+" to add a device.
5. Select "**Smart By Bond**" (SBB).
6. Select this smart ceiling fan.
7. Once the Bond application connects to the fan, select "**CONTINUE**" to proceed.
8. Test the fan functions to ensure commands work as expected.
9. Select "**YES, IT WORKS**".
10. Specific information about your fan:
 - a. Select "**Location**" and choose from one of the predefined entries or add your own by selecting "**OTHER**". When finished, select "**Save**".
 - b. Select device name and enter the name for your device. When finished, select "**OK**" to save.
PLEASE NOTE: This name will be used for integrations, so a simple, easy-to-remember name is best.
11. Select "**Continue**".
12. Select the Wi-Fi network you would like to connect the SBB to.
13. Enter the Wi-Fi password and select "**OK**".
14. If there is an issue with the connection or wrong password is entered, you will receive an error message. Select "OK, I've Got It".
15. Once the connection is made, select "**DONE**".
16. If the SBB fan is not displayed in the Bond application, swipe down to refresh.



*For assistance at any time during this process, or when using your Bond Home App, go to the "**Help**" section:*

1. Tap on "**Settings**".
2. Tap on "**Help Center**".
3. Choose "**Open a Ticket**" or "**Live Chat**".