

# HILTON

## SIZE AND DIMENSIONS

Bowl Capacity: 16 ltr  
 Width: 400 mm  
 Height: 860 mm  
 Plug & Waste Size: 32 mm x 40 mm  
 Weight: 36 kg

## GENERAL INFORMATION

Mounting: Floor  
 Overflow Configuration: No Overflow  
 Product Type: Pedestal basin  
 Recommended Use: Domestic,  
 Hotel & Commercial  
 Taphole Configuration: No Taphole

## INCLUSIONS AND EXCLUSIONS

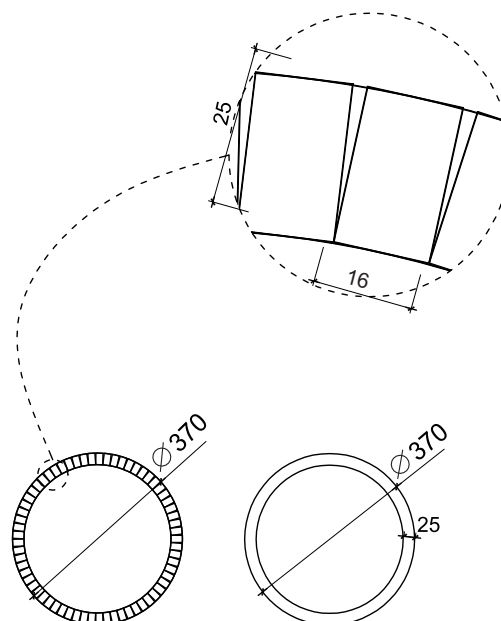
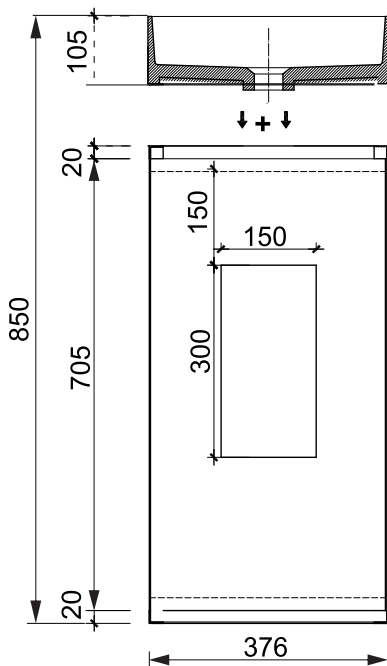
Basin: Not Included  
 Fixing Bolts: Not Included  
 Plug & Waste: Not included, matching  
 waste colours sold separately  
 Tapware: Sold separately

## COLOUR AND FINISH

Basin Colour: Black mist  
 Pedestal Colour: Matt white

## MATERIAL

Basin: Translucent resin stone  
 Base: Solid surface



## PRODUCT SPECIFICATIONS

Hilton pedestal basin features basin that is resistant like stone & transparent like crystal. Lightness and solidity, rigor and expressiveness, material and color. Hilton is the freestanding washbasin that alternates between a solid base that expresses strength and a transparent and colored basin that leaves the role of protagonist to the water.

## PRODUCT DESCRIPTION

### MATERIALS USED

Cork is a natural, waterproof, fireproof and elastic material which does not fear moisture. We use a product which is 100% recycled.

#### **NATURAL CORK**

Is obtained after treatment where the product takes on a yellow, brownish color.

#### **TOASTED CORK**

Is the result of a thermal roasting process of natural cork during which the bark loses some waxy substances. The process does not make the product of poor quality but increases its performance as it is more compact and lighter. The chopped pieces of cork, when exposed to high temperatures, increase in volume and decrease in mass.

## FEATURES

Solid Surface White pedestal with translucent resin stone basin. Steel Mounting Brackets - screwed through the floor for added stability.

## USAGE AND MAINTENANCE INSTRUCTIONS

### **CLEANING**

Clean the products with a soft cloth or a non-abrasive damp sponge or with diluted ethyl alcohol. All operations must be carried out with care so as not to scratch or polish the surface. Avoid products containing ammonia, acetone, chlorine, solvents and abrasive products.

### **TOXICITY**

The product does not appear toxic to humans, animals or to the environment.

### **ECOLOGY**

Only discard in appropriate disposals according to rules and regulations in your area.