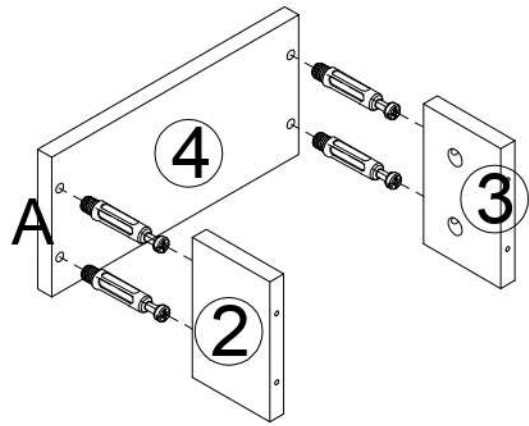
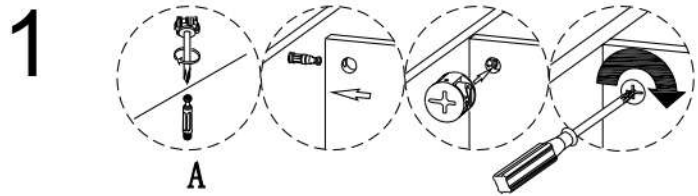
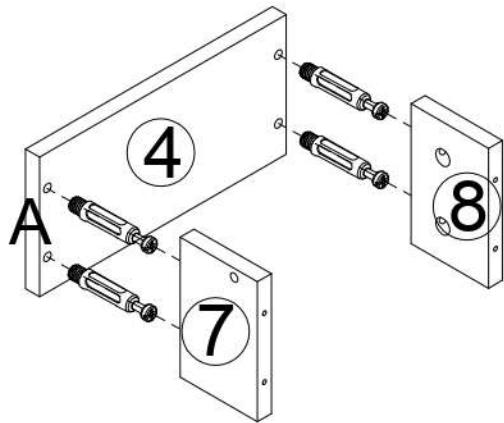


<p><b>A</b></p> <p>71SETS</p>	<p><b>B</b></p> <p>8*40</p> <p>24PCS</p>	<p><b>C</b></p> <p>C1 C2 C3 C4</p> <p>5SETS</p>	<p><b>D</b></p> <p>7PCS</p>	<p><b>E</b></p> <p>7PCS</p>	<p><b>F</b></p> <p>3.5*14</p> <p>44PCS</p>	<p><b>G</b></p> <p>3.5*35</p> <p>54PCS</p>	<p><b>H</b></p> <p>4PCS</p>	<p><b>I</b></p> <p>10PCS</p>
<p><b>J</b></p> <p>2SETS</p>	<p><b>K</b></p> <p>1SETS</p>	<p><b>L</b></p> <p>9PCS</p>	<p><b>M</b></p> <p>M6x50 M10x10</p> <p>6PCS</p>					



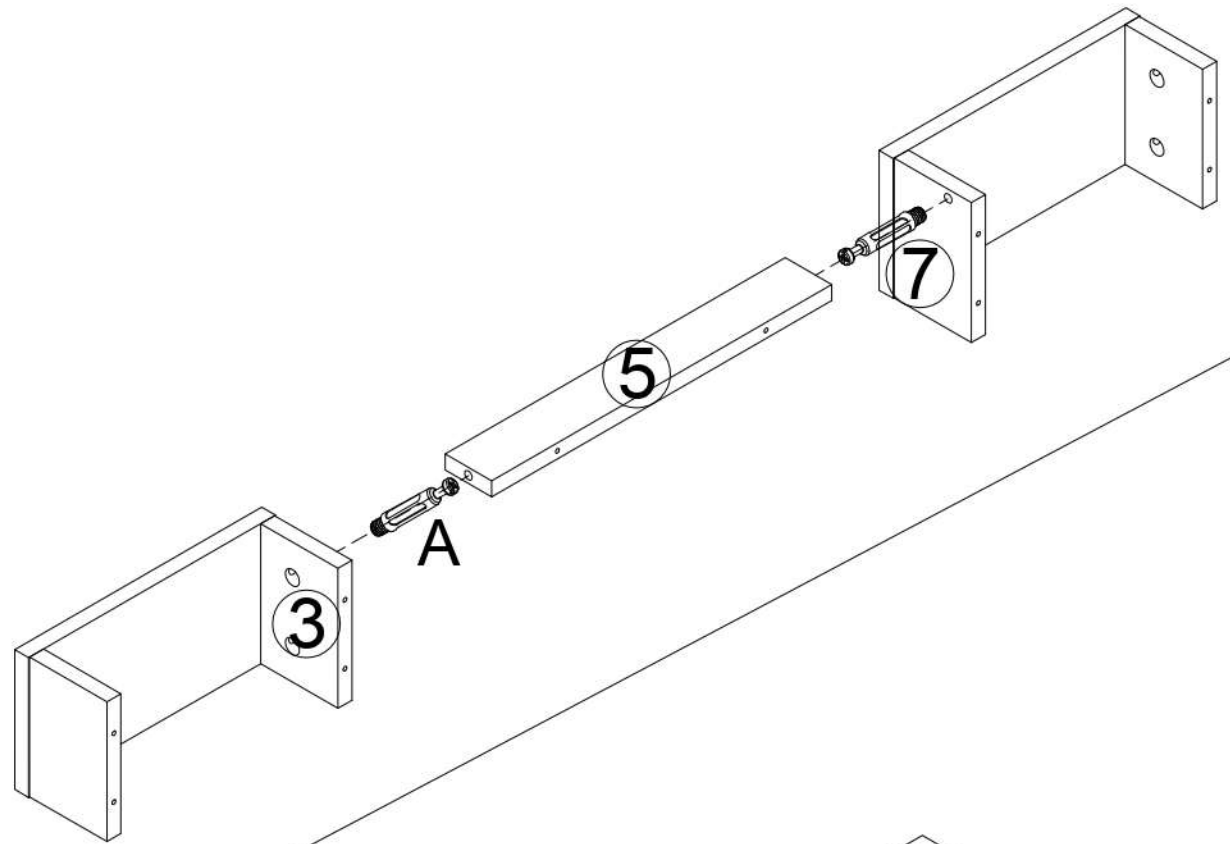
A\*4

**2**

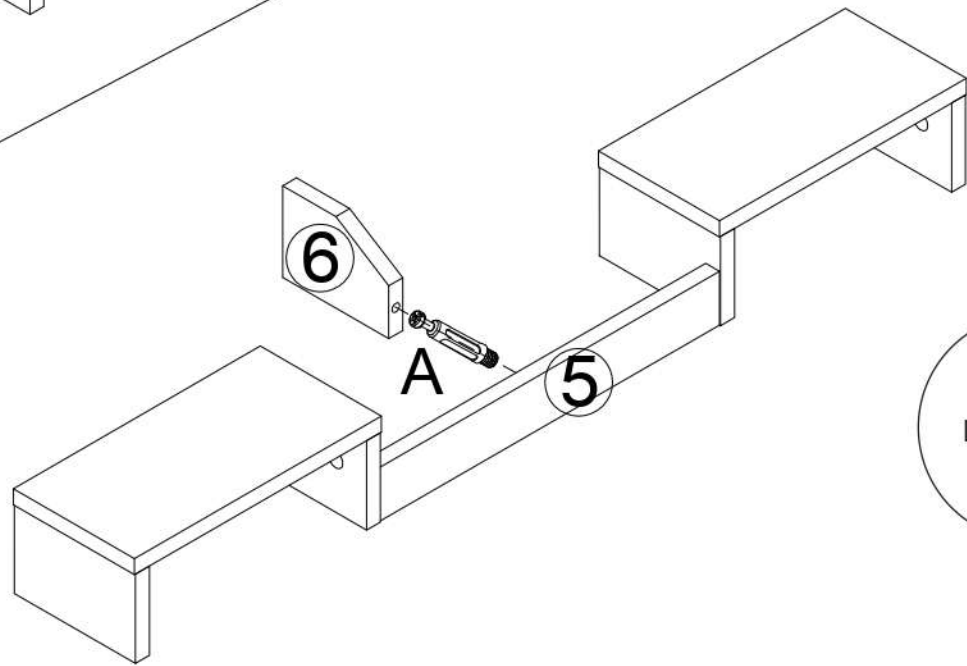


A\*4

**3**

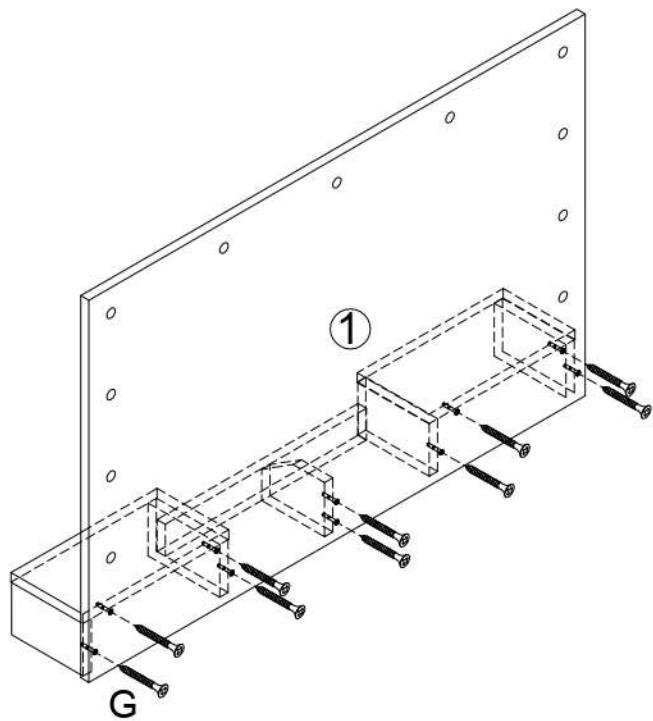


A\*2



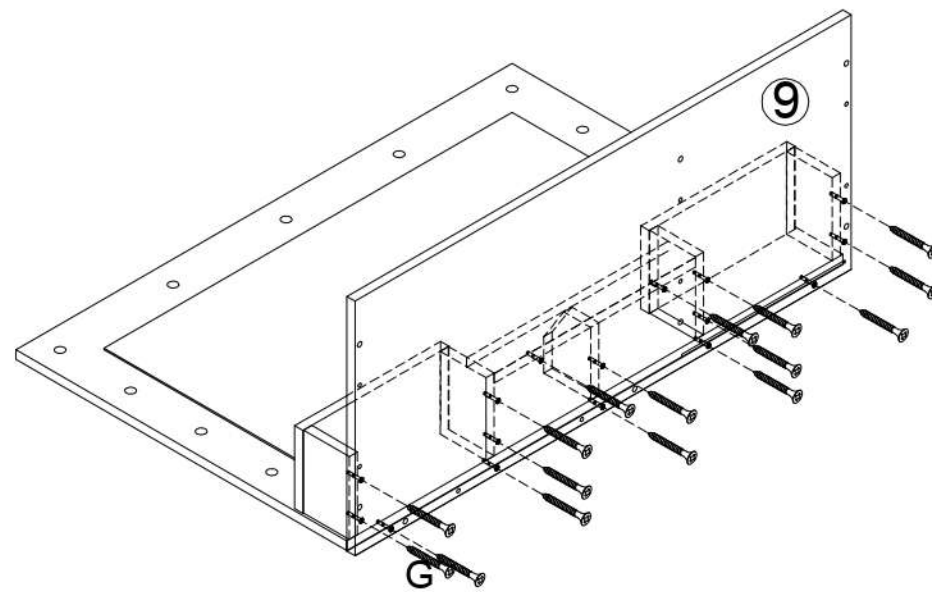
A\*1 L\*1

5



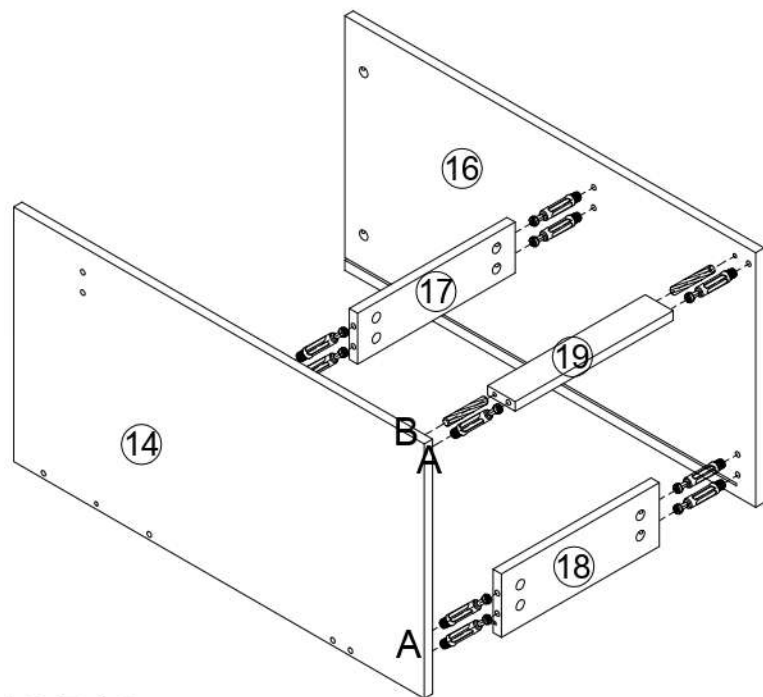
G\*10

6



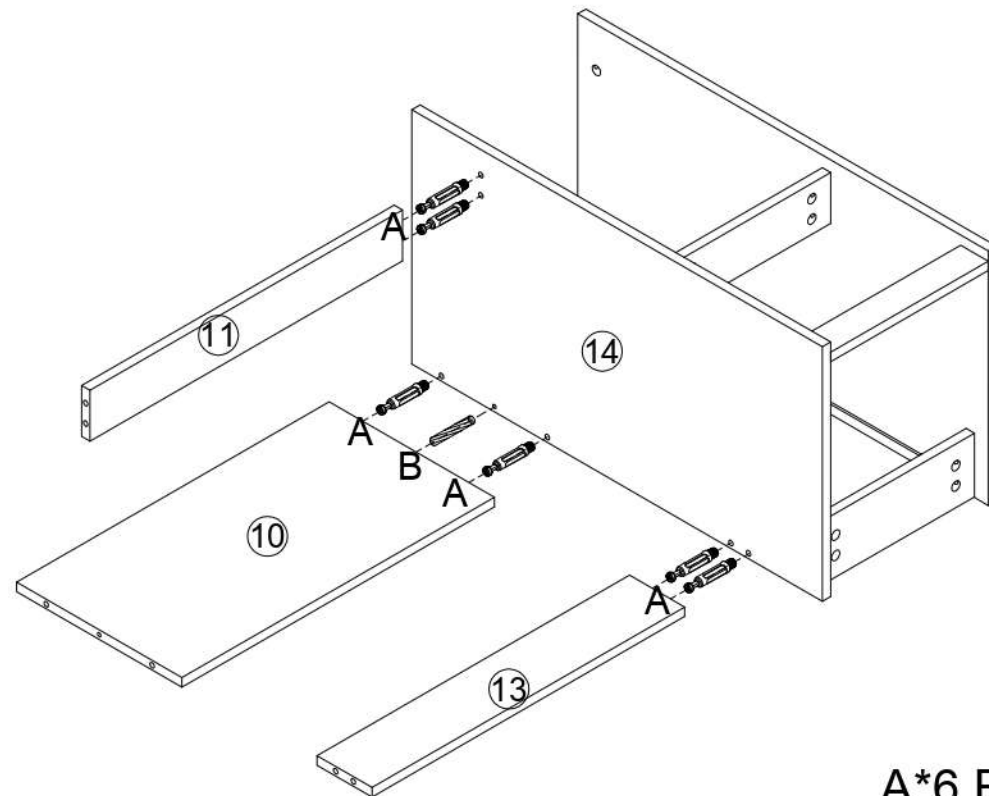
G\*16

7



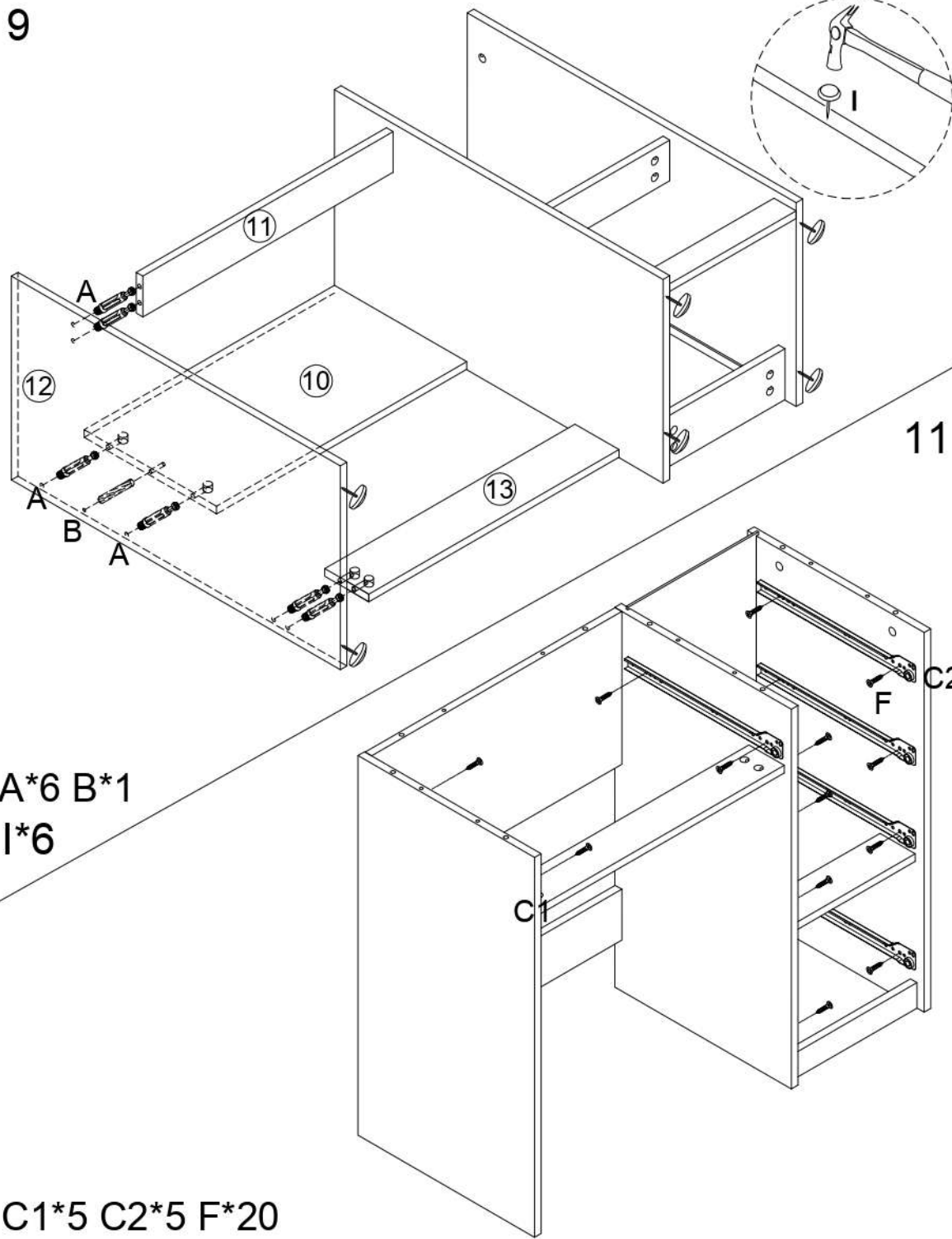
A\*10 B\*2

8



A\*6 B\*1

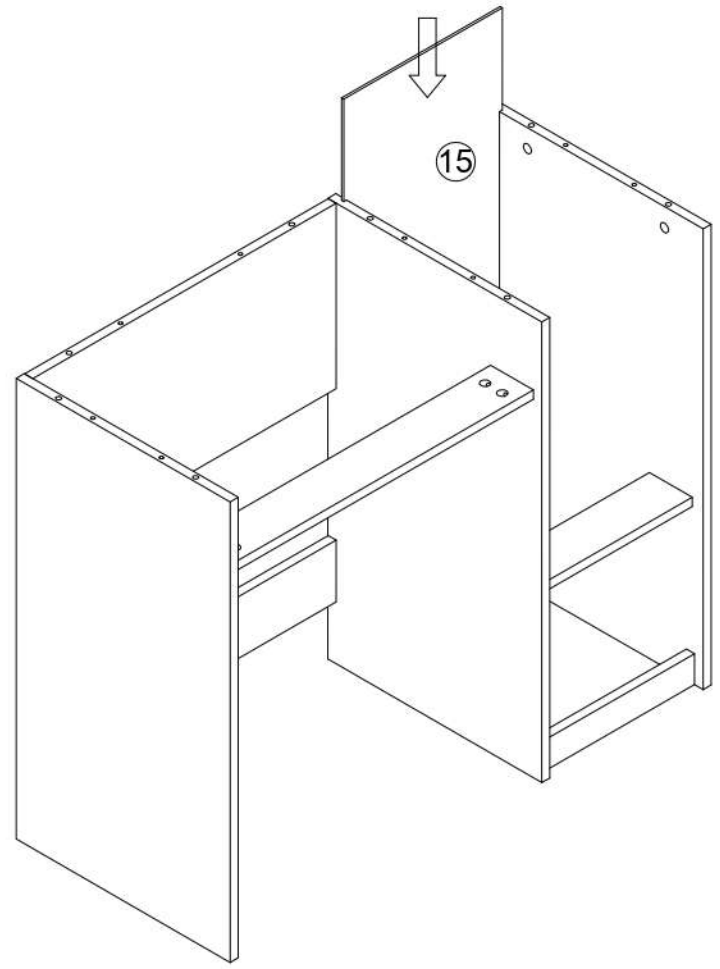
9



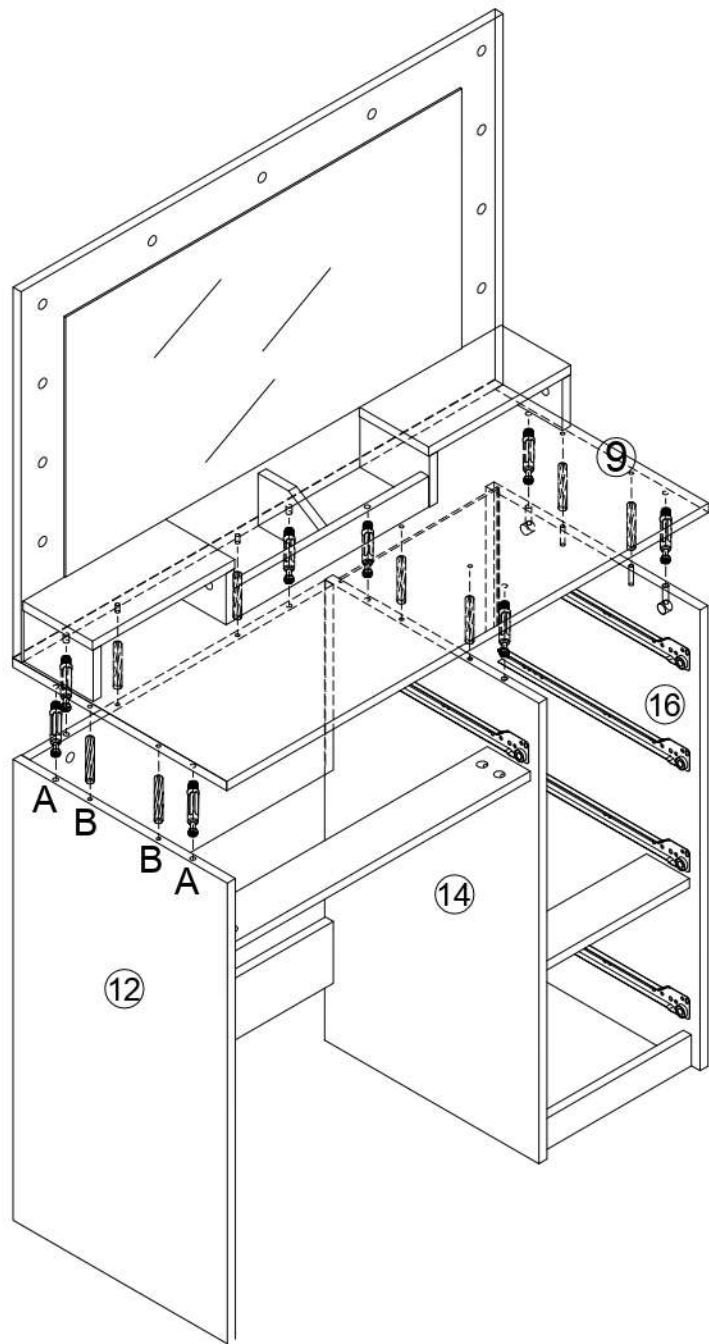
A\*6 B\*1  
I\*6

C1\*5 C2\*5 F\*20

10

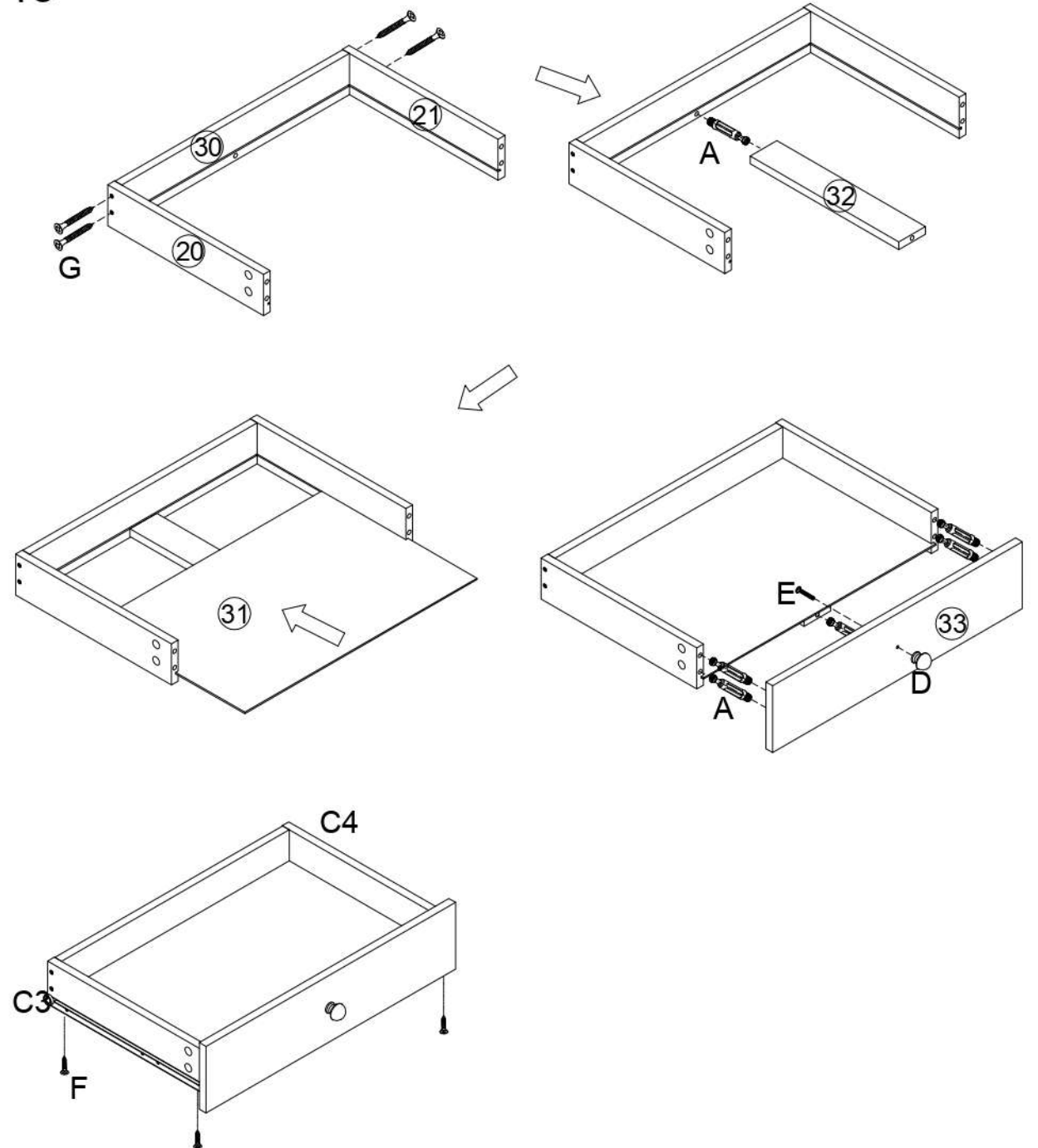


12



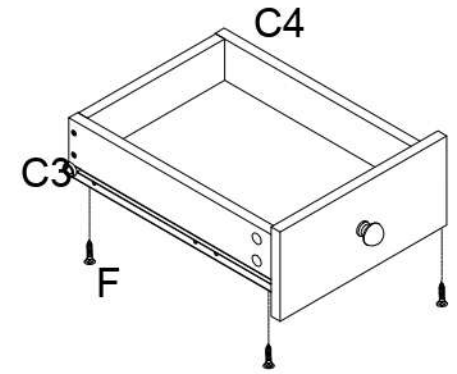
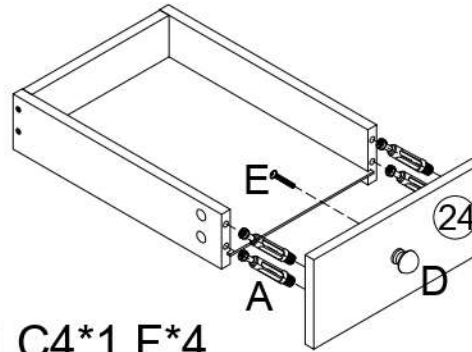
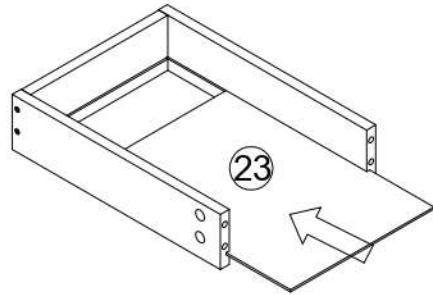
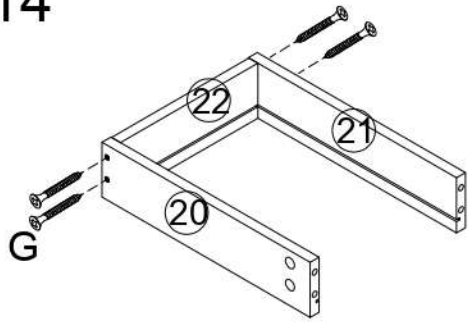
A\*8 B\*8

13



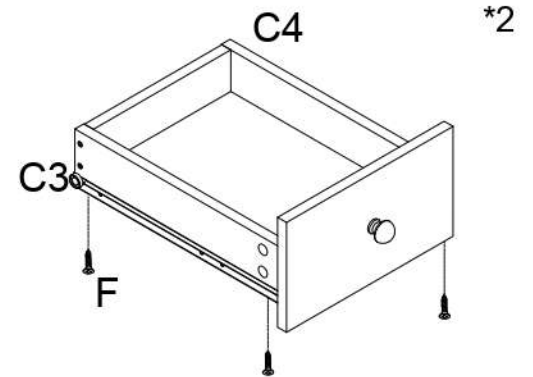
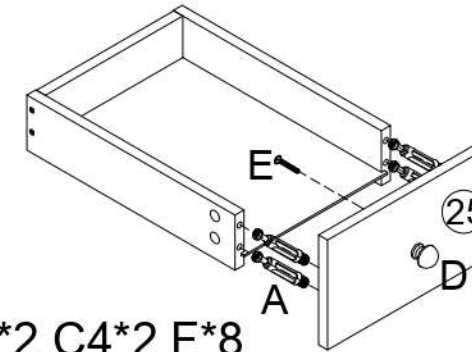
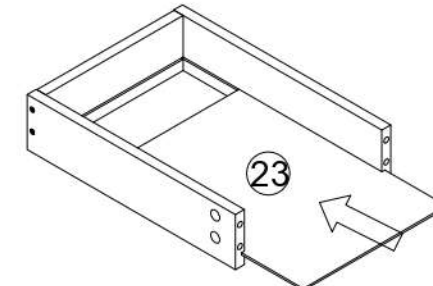
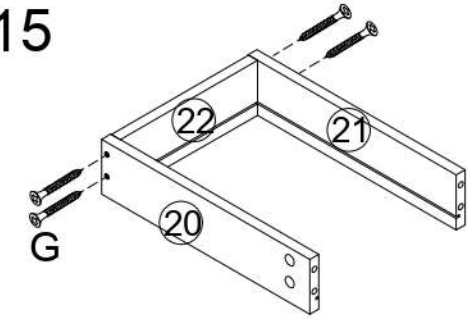
A\*6 G\*4 D\*1 E\*1 C3\*1 C4\*1 F\*4

14



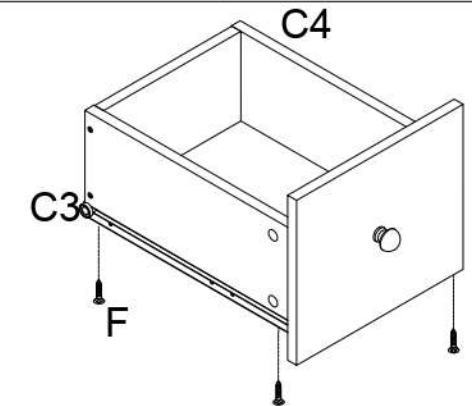
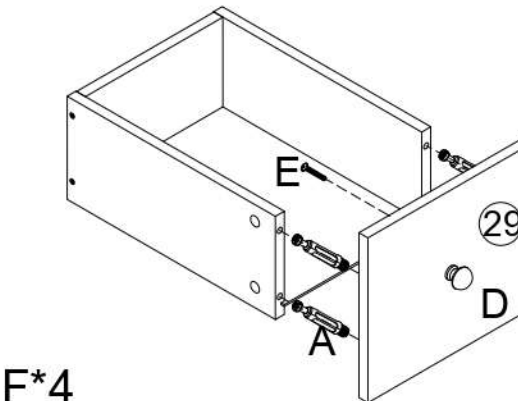
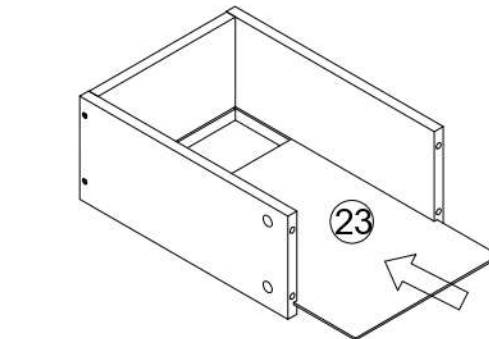
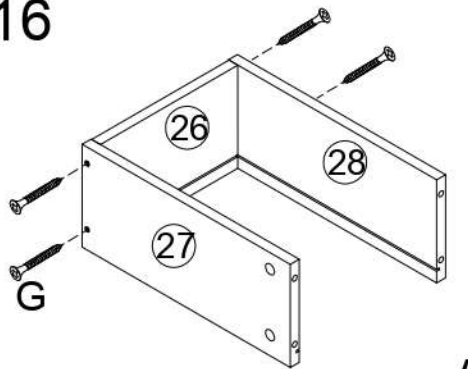
A\*4 G\*4 D\*1 E\*1 C3\*1 C4\*1 F\*4

15



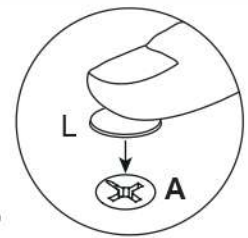
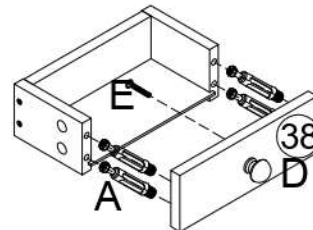
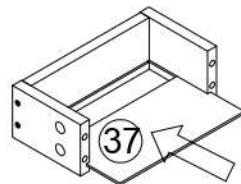
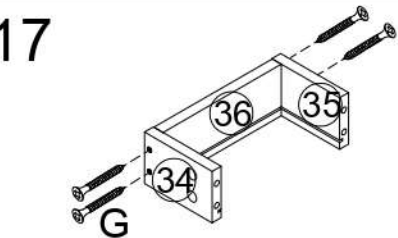
A\*8 G\*8 D\*2 E\*2 C3\*2 C4\*2 F\*8

16



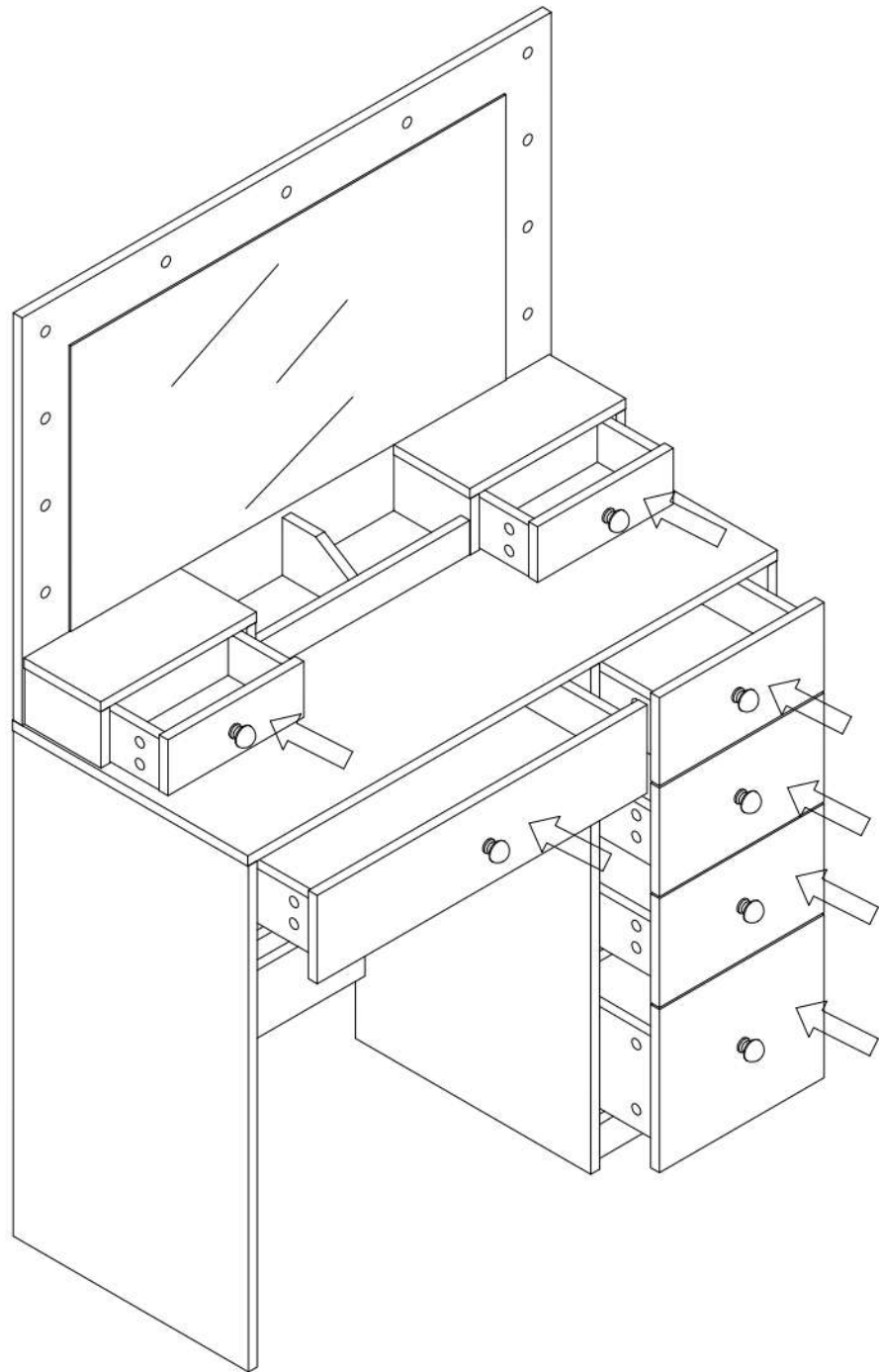
A\*4 G\*4 D\*1 E\*1 C3\*1 C4\*1 F\*4

17

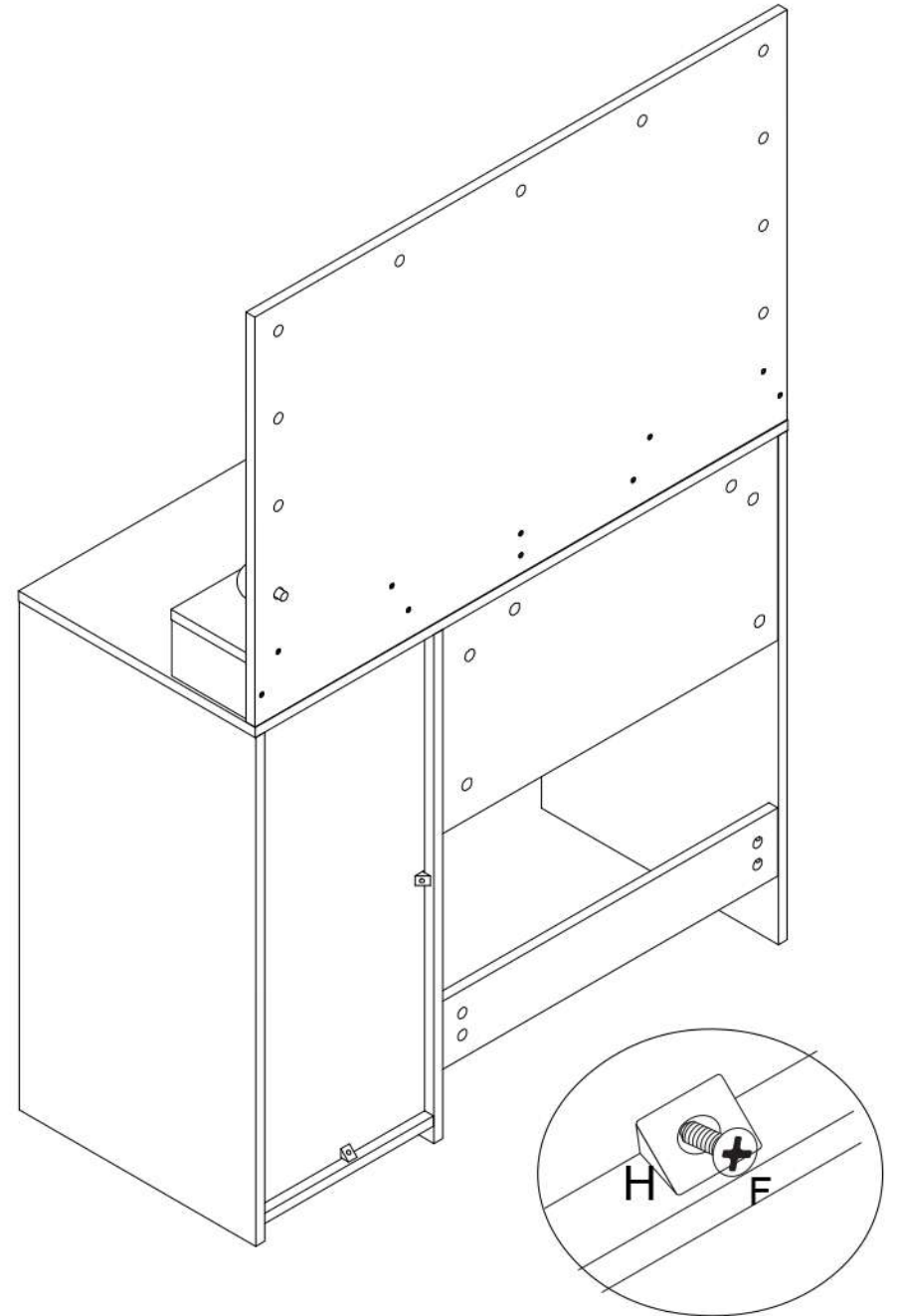


A\*8 G\*8 D\*2 E\*2 L\*8

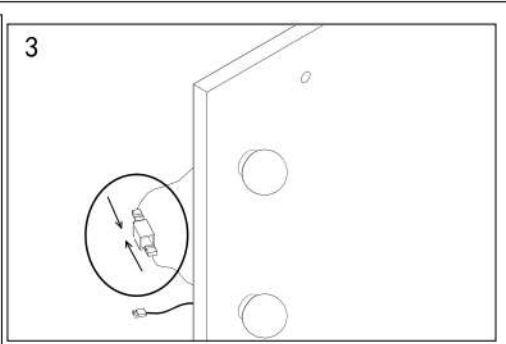
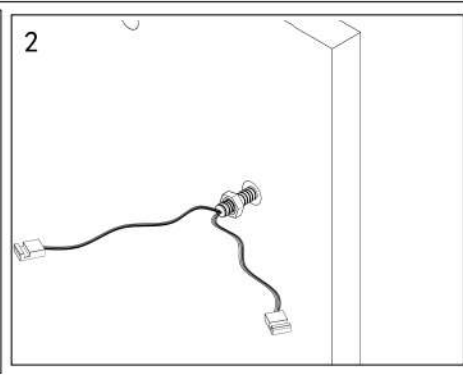
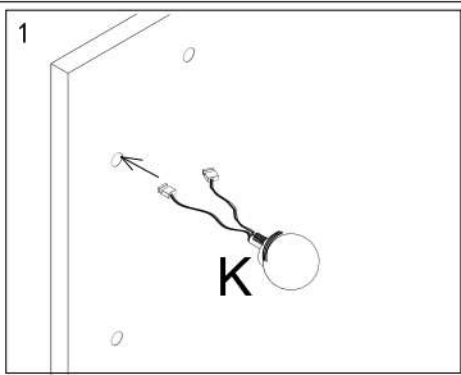
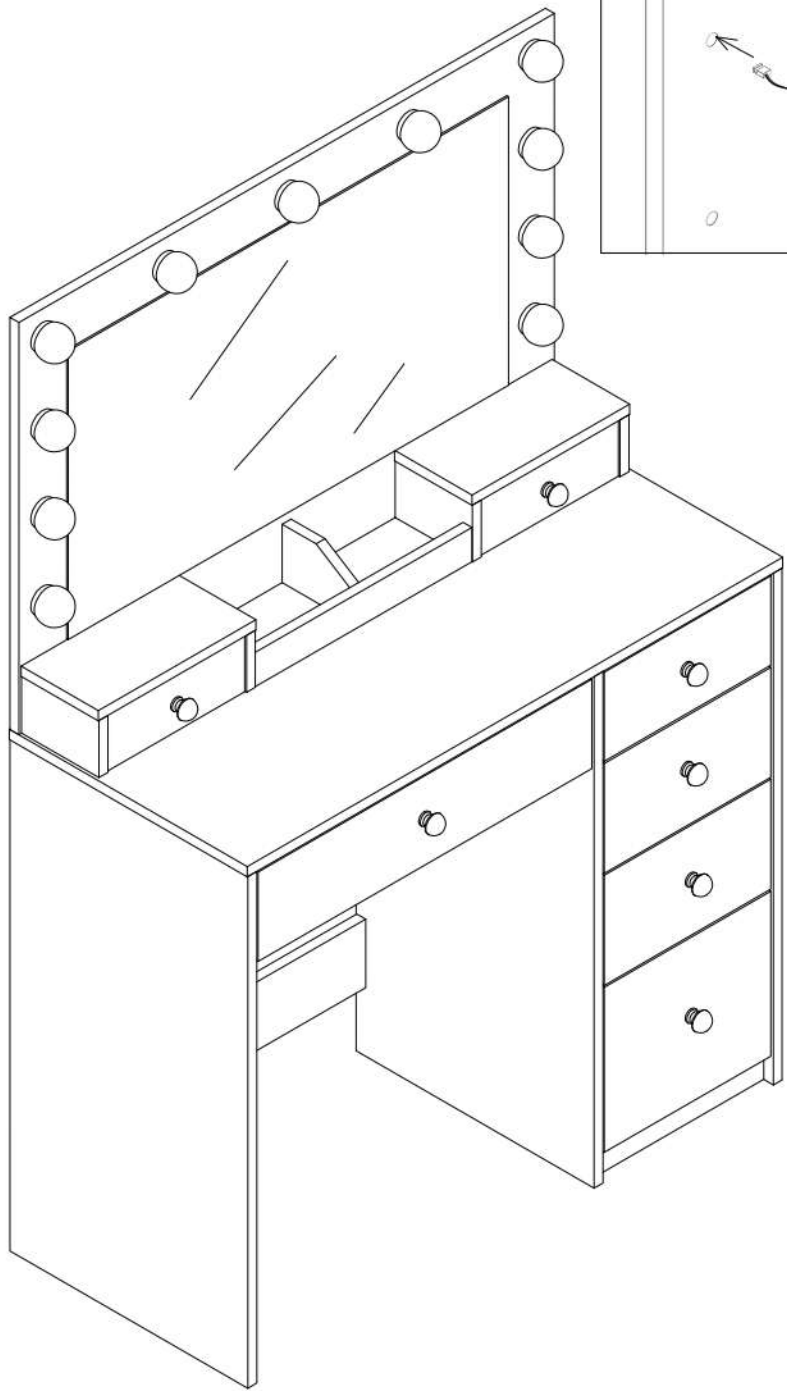
18



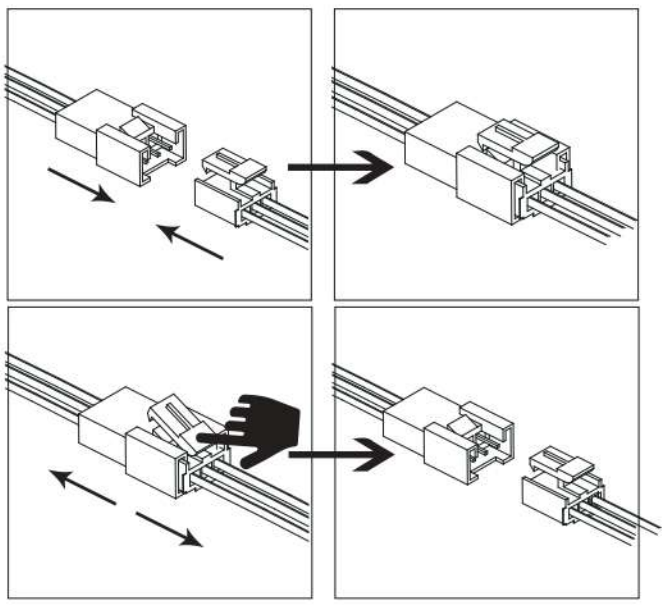
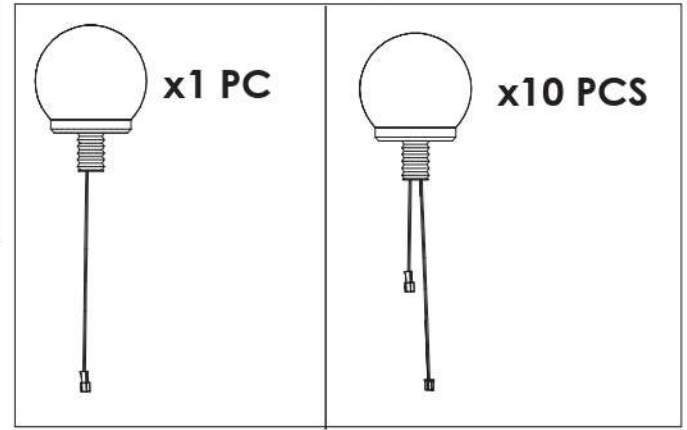
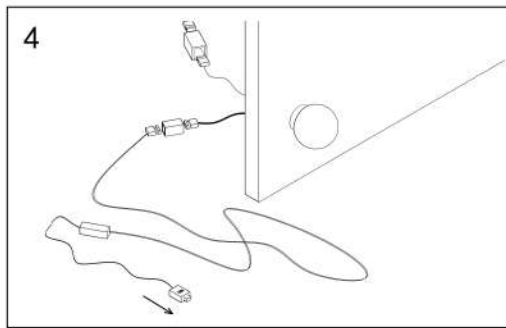
19

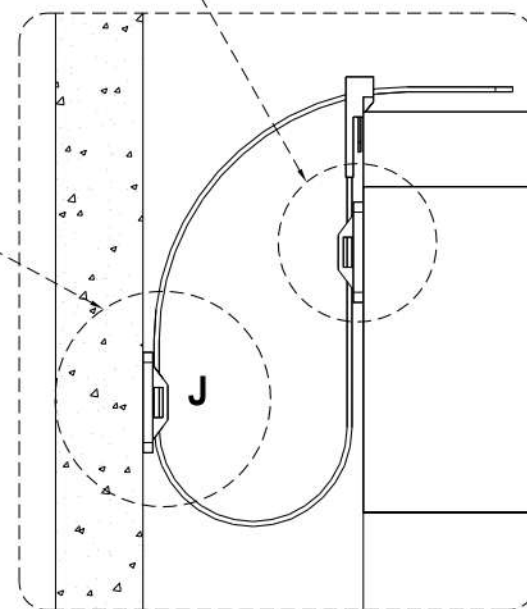
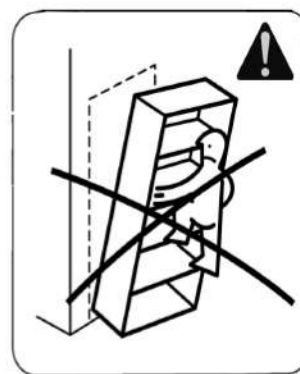
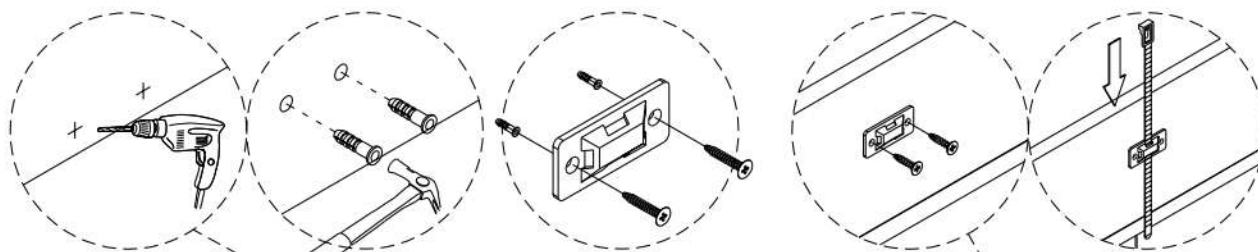
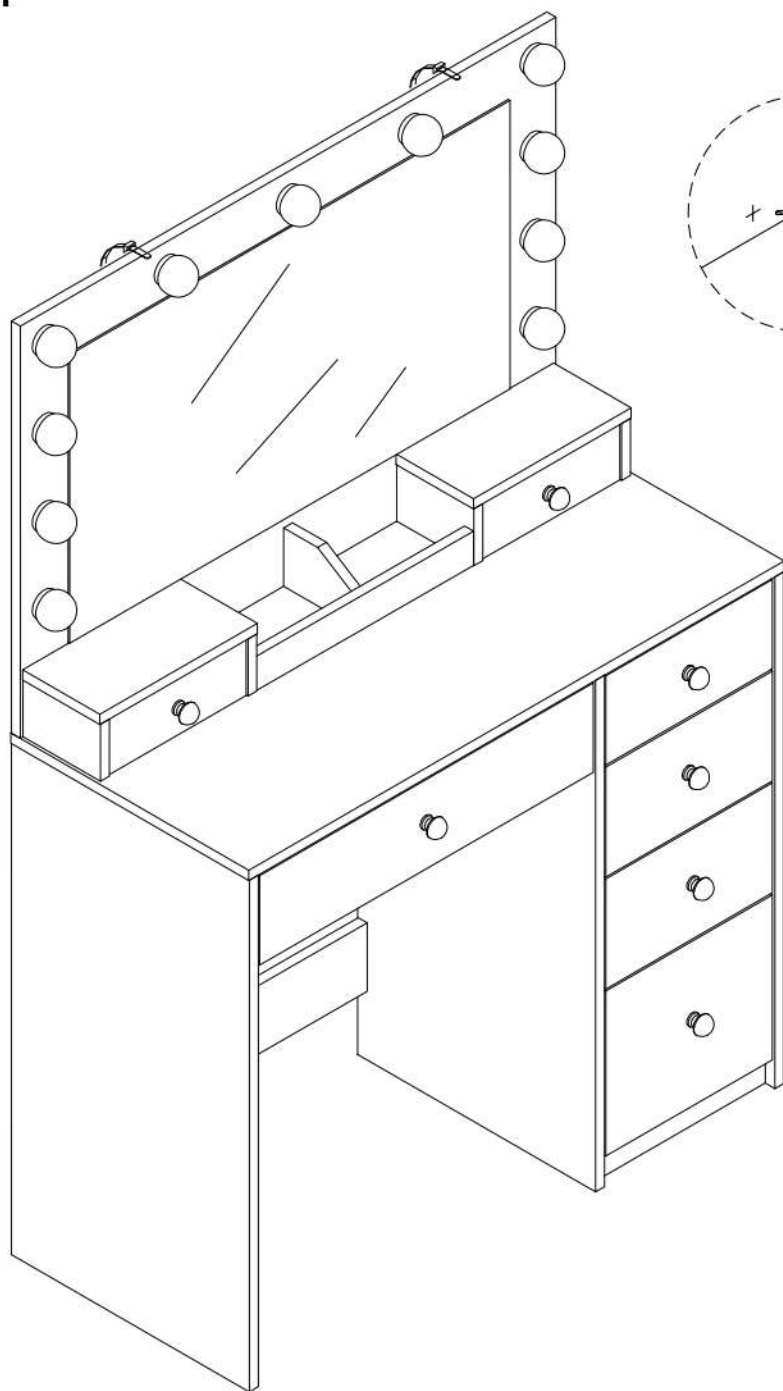


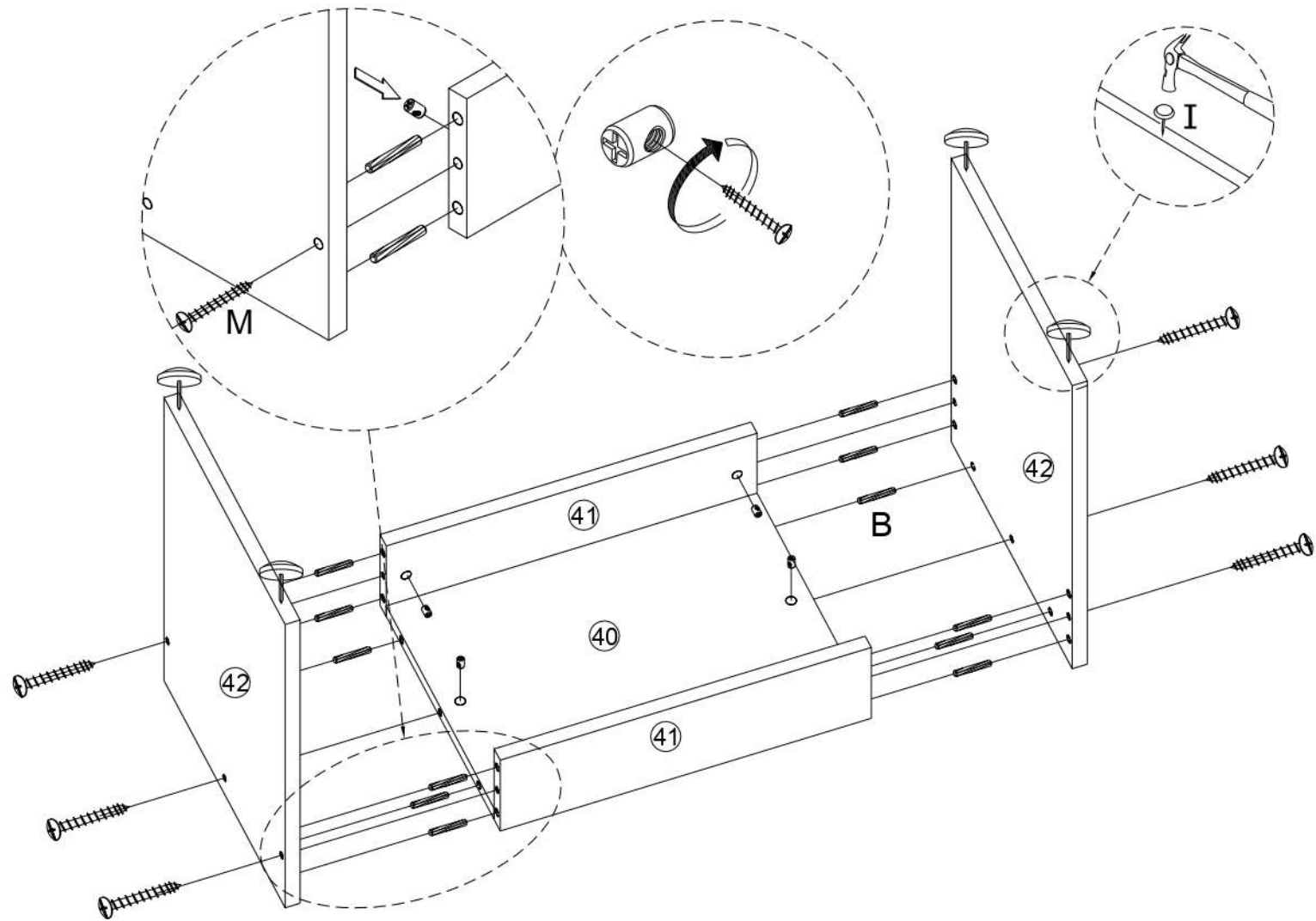
H\*4 F\*4

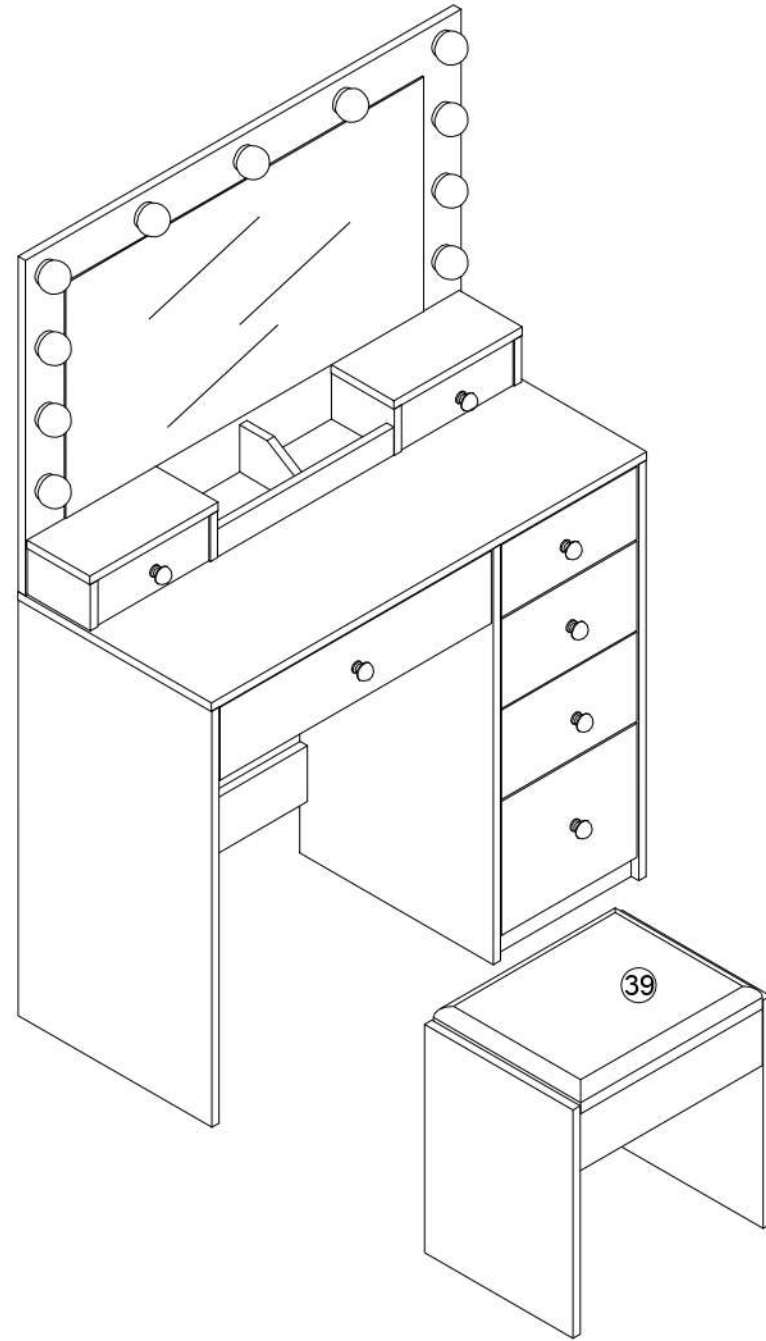


NOTE: Lines of the same color are connected together!

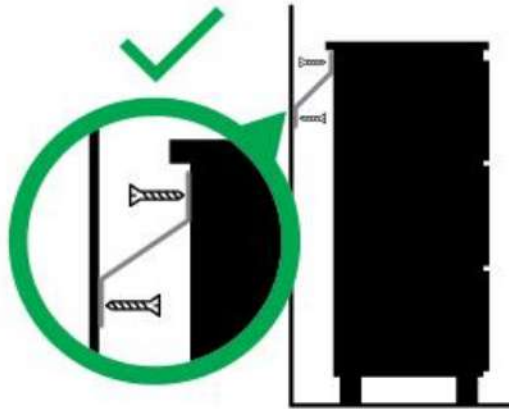








# **WARNING**



## **Children have died from furniture tipover.**

- ALWAYS secure this furniture with an anchor device.
- NEVER allow children to stand, climb or hang on drawers, doors, or shelves.
- NEVER open more than one drawer at a time.
- Place heavy items down low.

**NEVER** put a TV  
on this furniture

