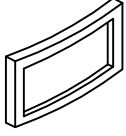


# ASSEMBLY INSTRUCTION

1-1pc



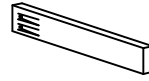
2-1pc



3-2pcs



4-2pcs



A-16pcs



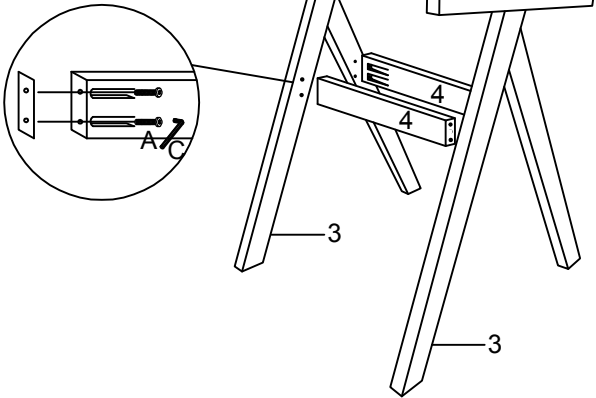
B-4pcs



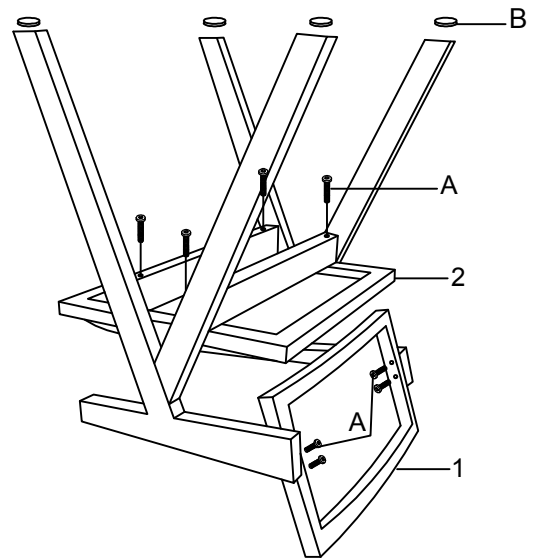
C-1pc



①



②



③

