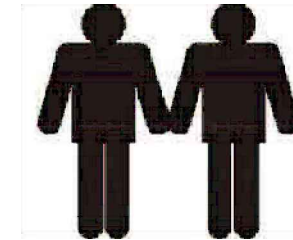
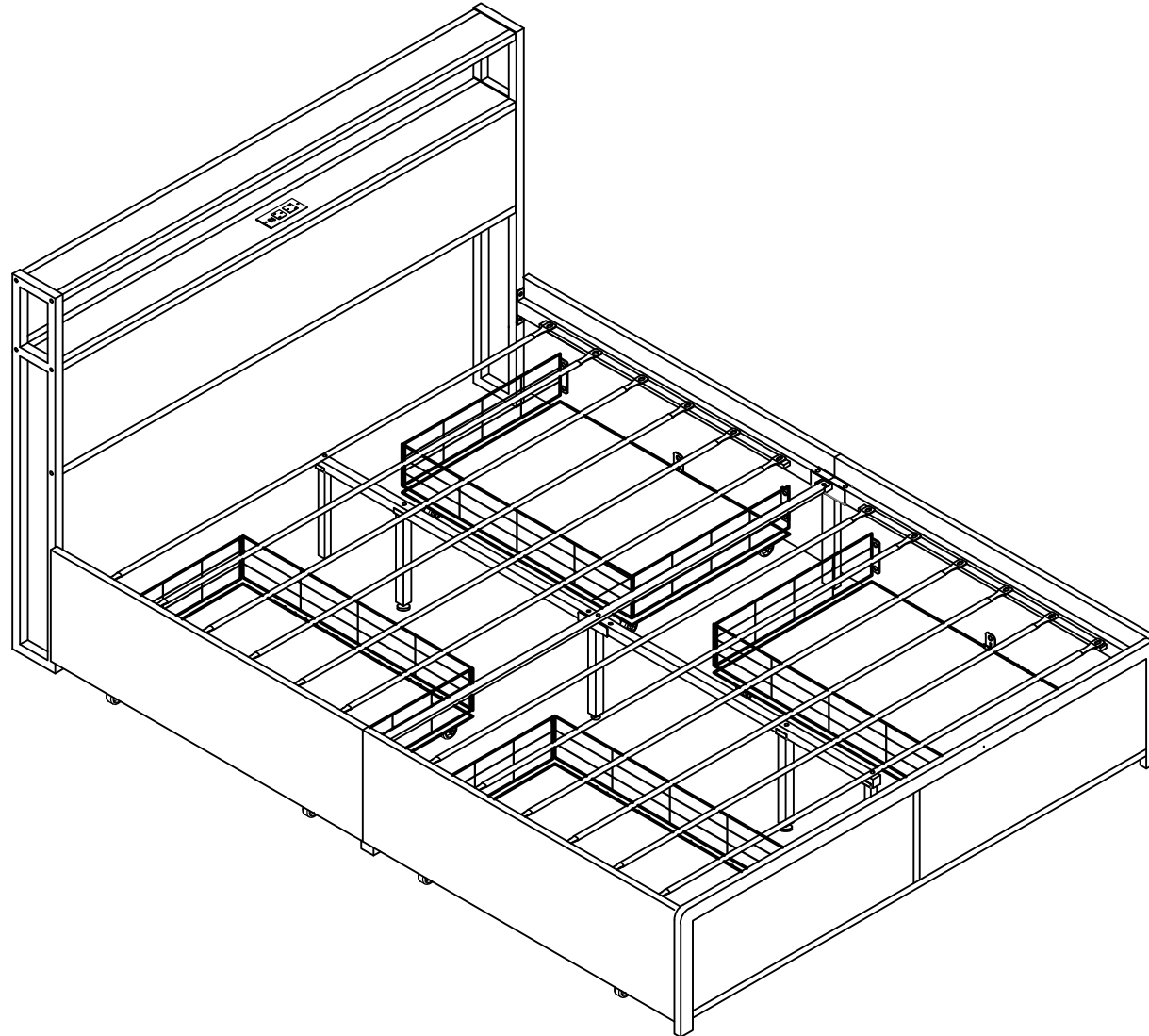


# Assembly Instruction

Note:

1. Should be assembled on flat ground to keep balance.
2. Before completing the installation, do not tighten the screws.

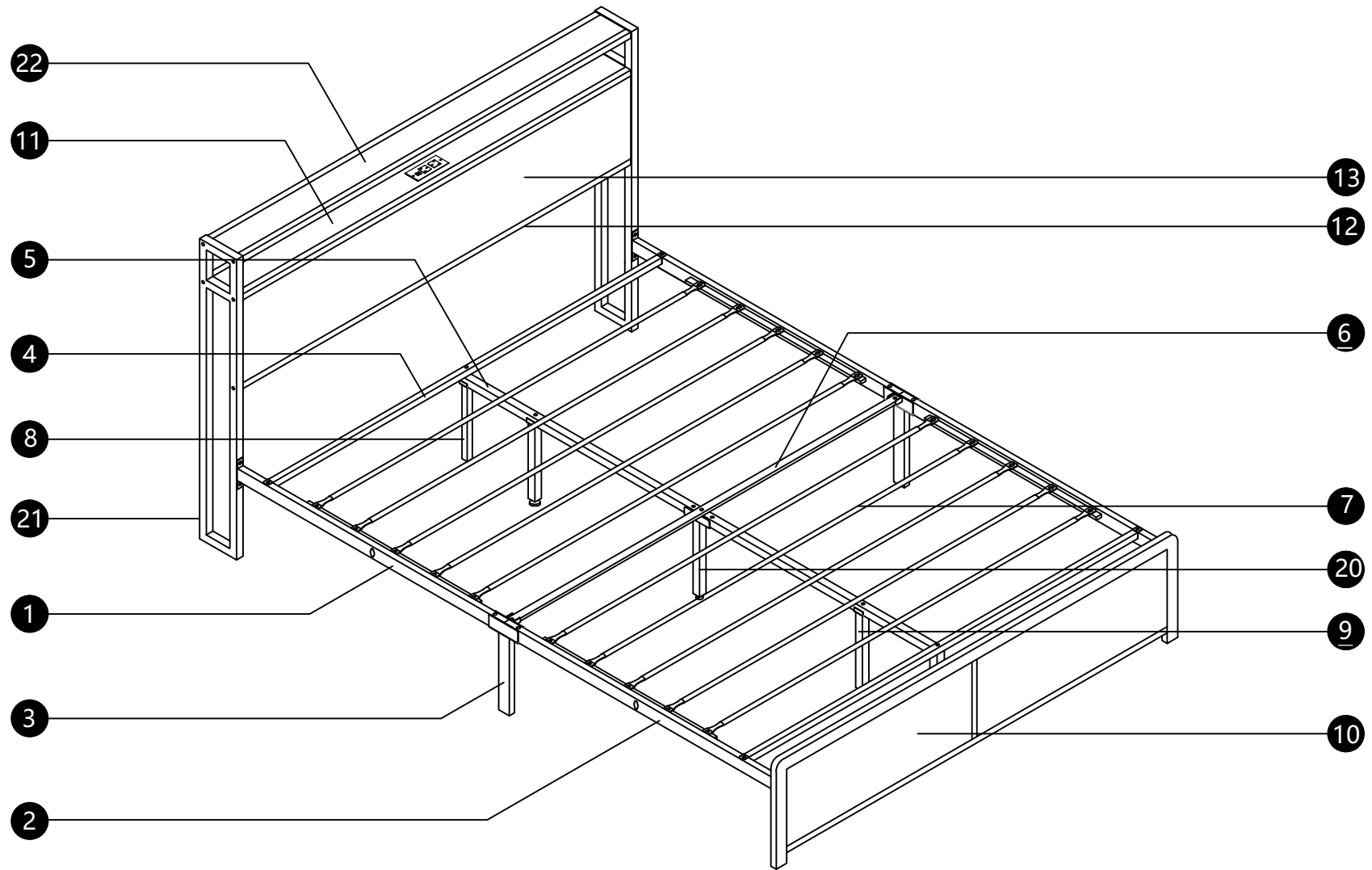


**It needs at least two people to install.**



Before starting the assembly, you must read the whole manual and follow the instructions

# Assembly Instruction of Bed



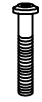
# Assembly Instruction of Bed

## Hardware parts



M6\*15

**A** 26PCS



M6\*45

**B** 12PCS



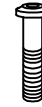
M8\*13

**C** 32PCS



M8\*20

**D** 12PCS



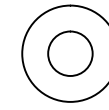
M8\*35

**E** 6PCS



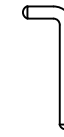
M8\*48

**F** 9PCS



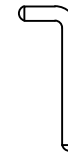
M8\*φ22

**G** 11PCS



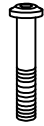
M6

**H** 1PC



M8

**I** 1PC



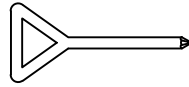
M8\*55

**M** 2PCS

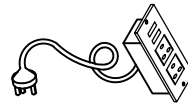


M3\*12

**J** 3PCS



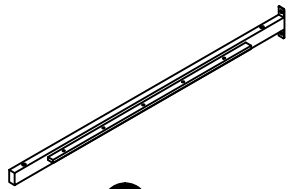
**K** 1PC



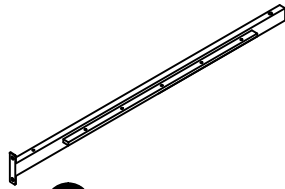
Socket

**L** 1PC

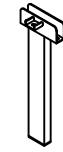
## Part list



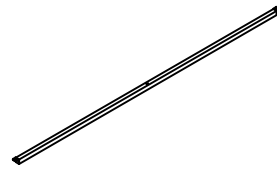
**1** 2PCS



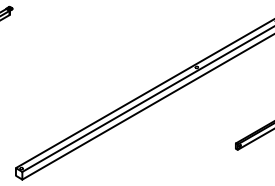
**2** 2PCS



**3** 2PCS



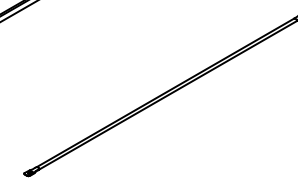
**4** 2PCS



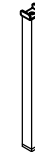
**5** 2PCS



**6** 1PC



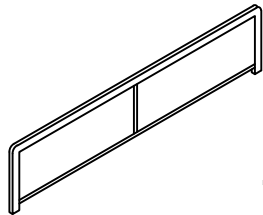
**7** 10PCS



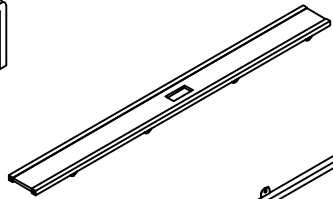
**8** 2PCS



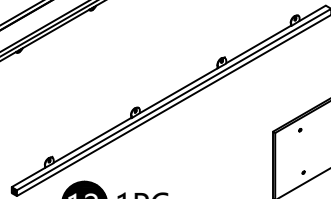
**9** 2PCS



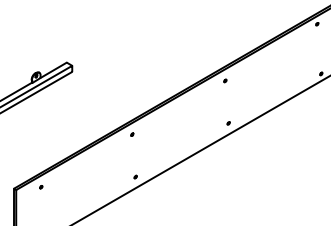
**10** 1PC



**11** 1PC



**12** 1PC



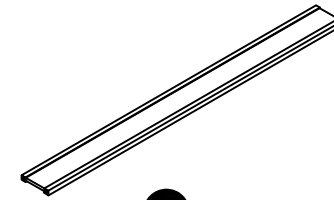
**13** 1PC



**20** 1PC

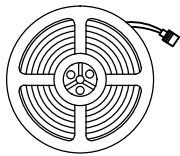


**21** 2PCS

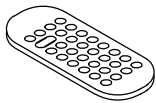


**22** 1PC

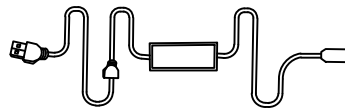
# Assembly Instruction of LED LAMP



1PC  
light bar



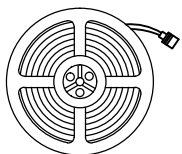
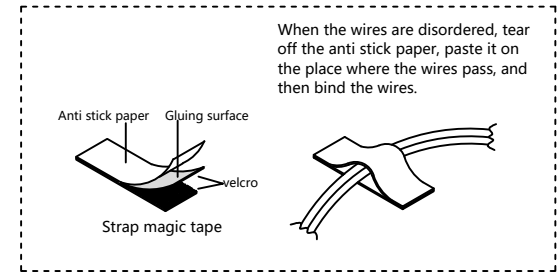
1PC  
Remote control



1PC  
Power cord



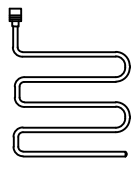
6PCS  
Strap magic tape



light bar

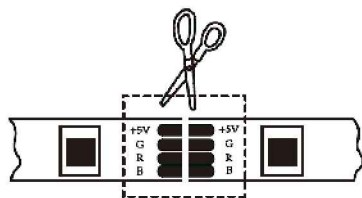


Pull out  
and unfold



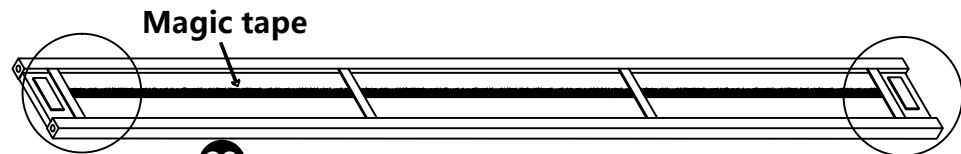
light bar

One side of the light bar is sticky and the other side is luminous band. Please distinguish it carefully.

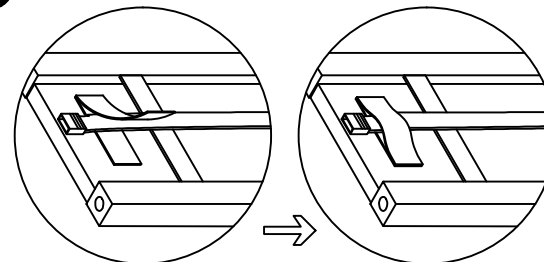
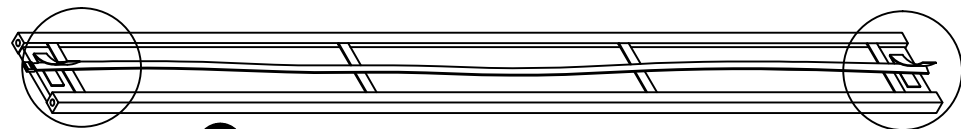


light bar

According to the actual length, cut the excess light strip or keep it




One side of the light bar is magic tape and the other side is luminous band. Please distinguish it carefully. Please stick the sticky side at the location shown in the picture Then secure it with Velcro fasteners

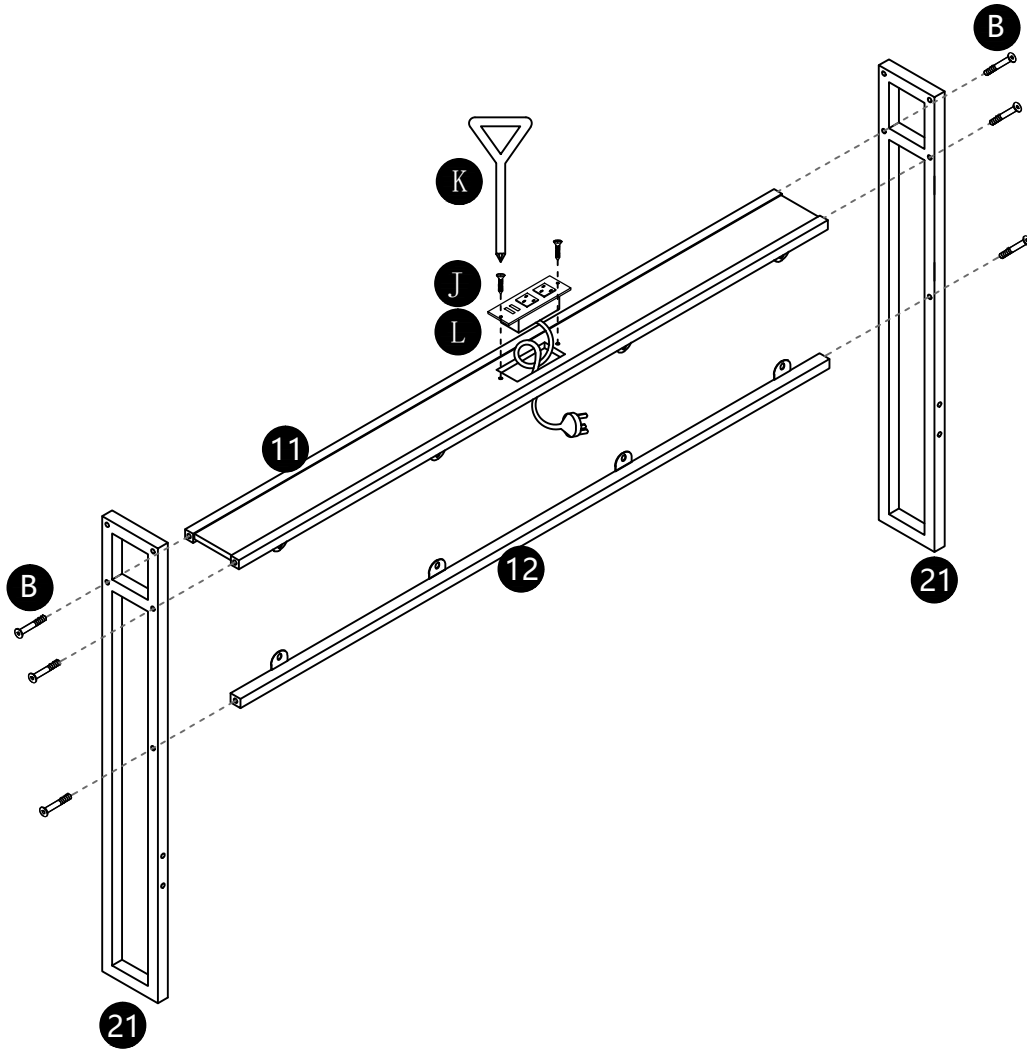


# Assembly Instruction of Bed

Step:1

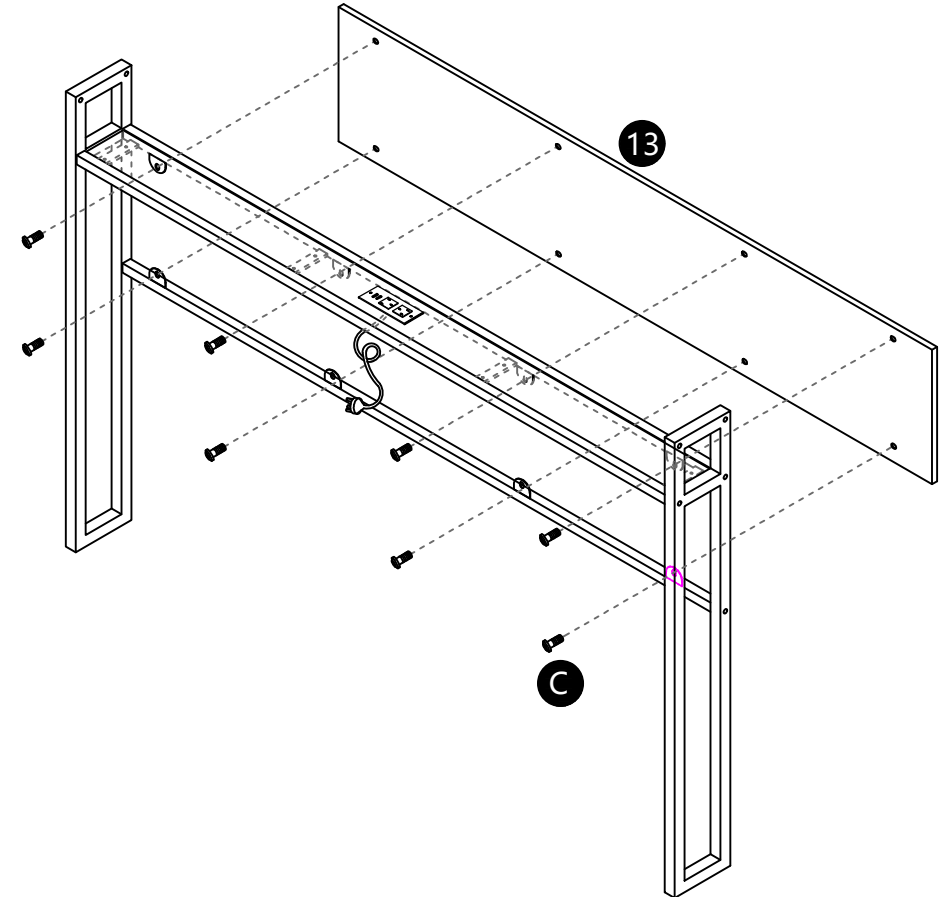
 **B** X 6PCS  
M6\*45

 **J** X 2PCS  
M3\*12



Step:2

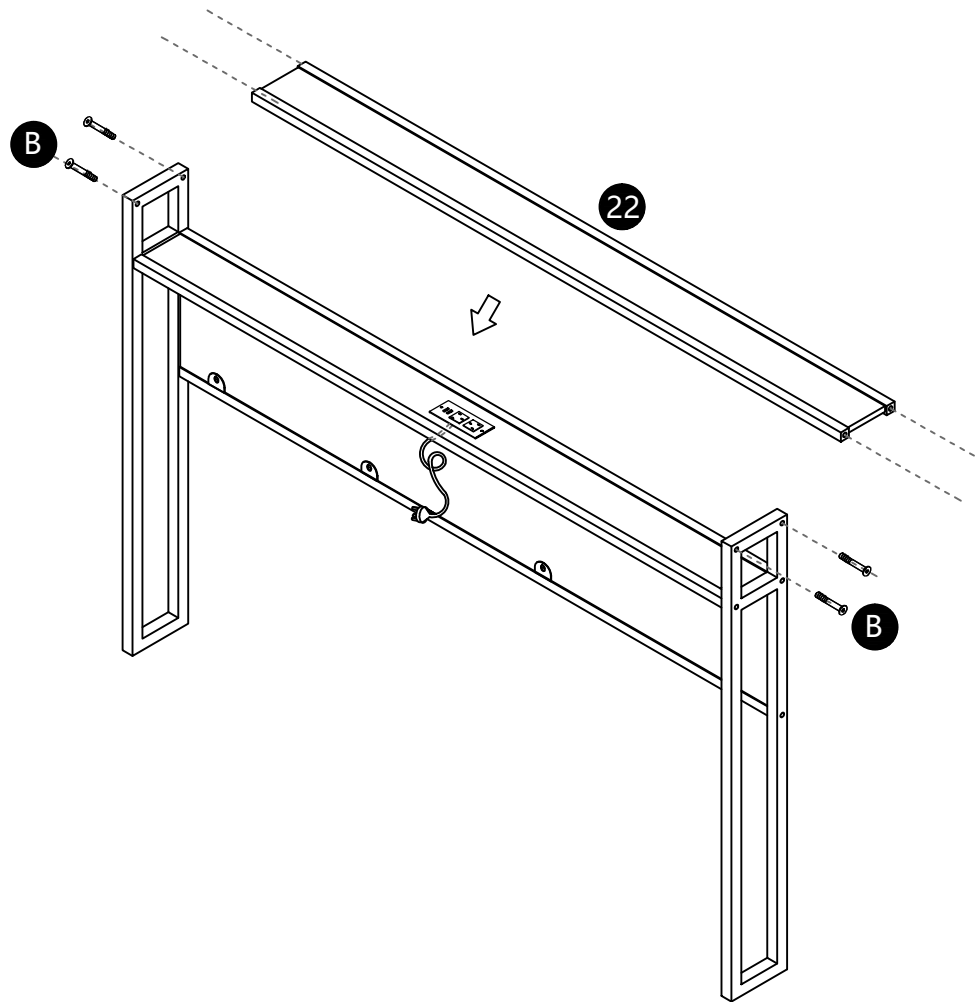
 **C** X 8PCS  
M8\*13



# Assembly Instruction of Bed

Step:3

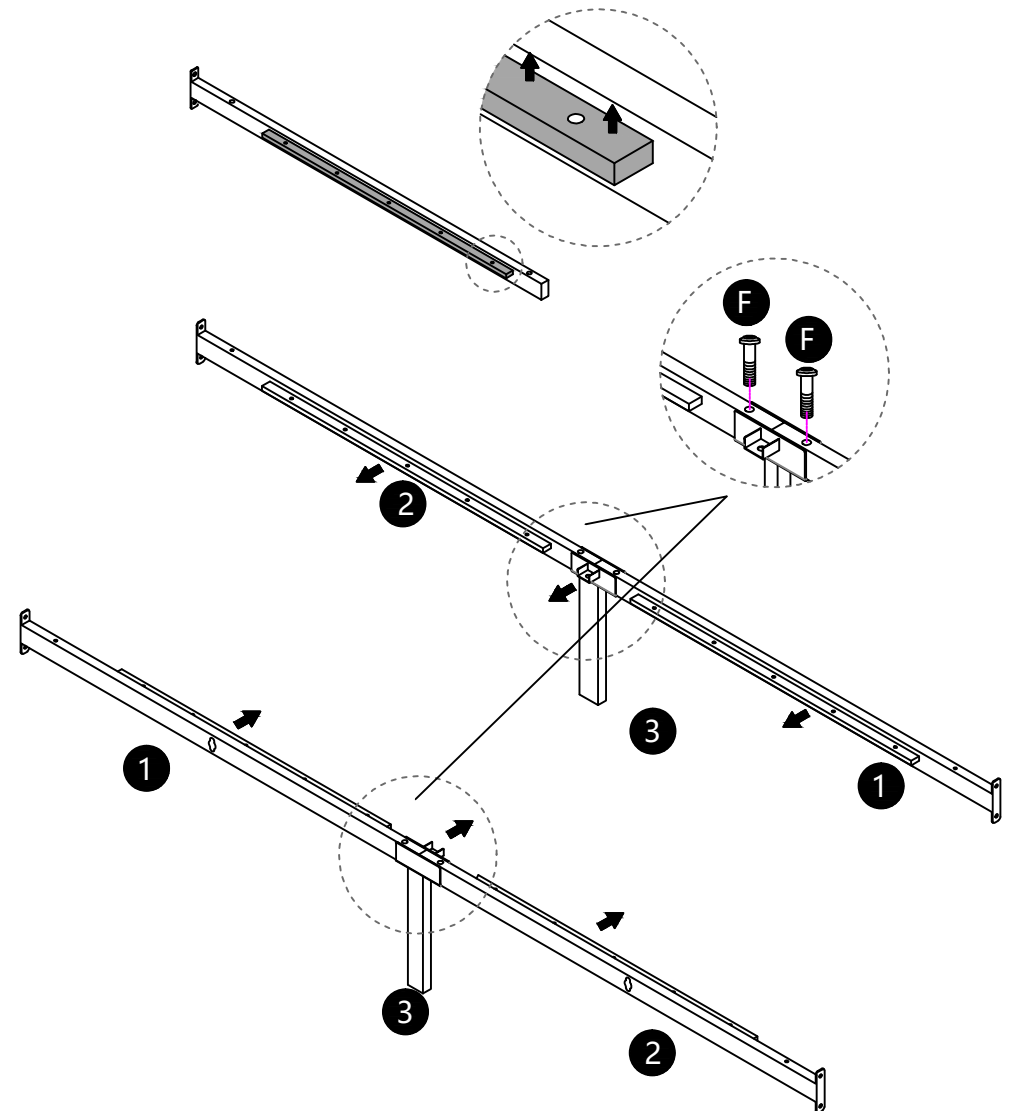
M6\*45 **B** X 4PCS



Step:4

Please pay attention to the direction arrow in the illustration to avoid reverse installation

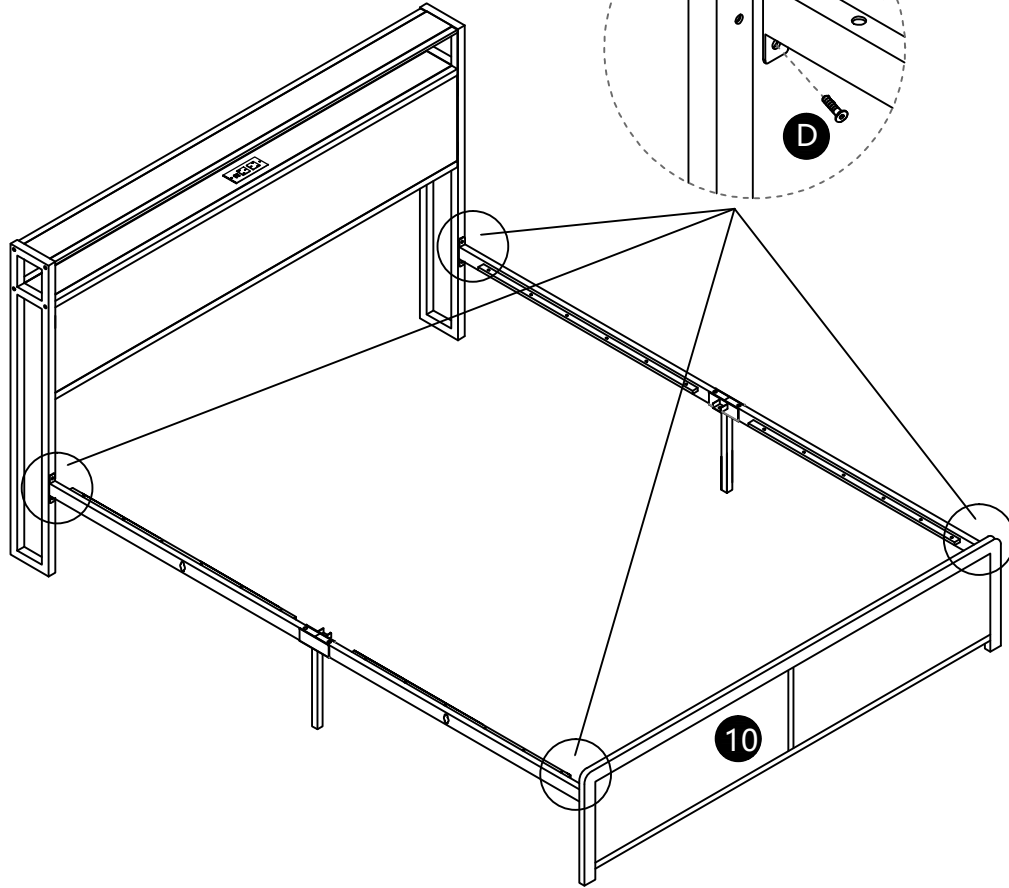
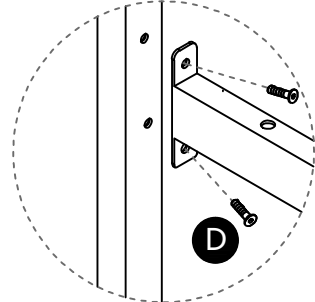
M8\*55 **F** X 4PCS



# Assembly Instruction of Bed

Step:5

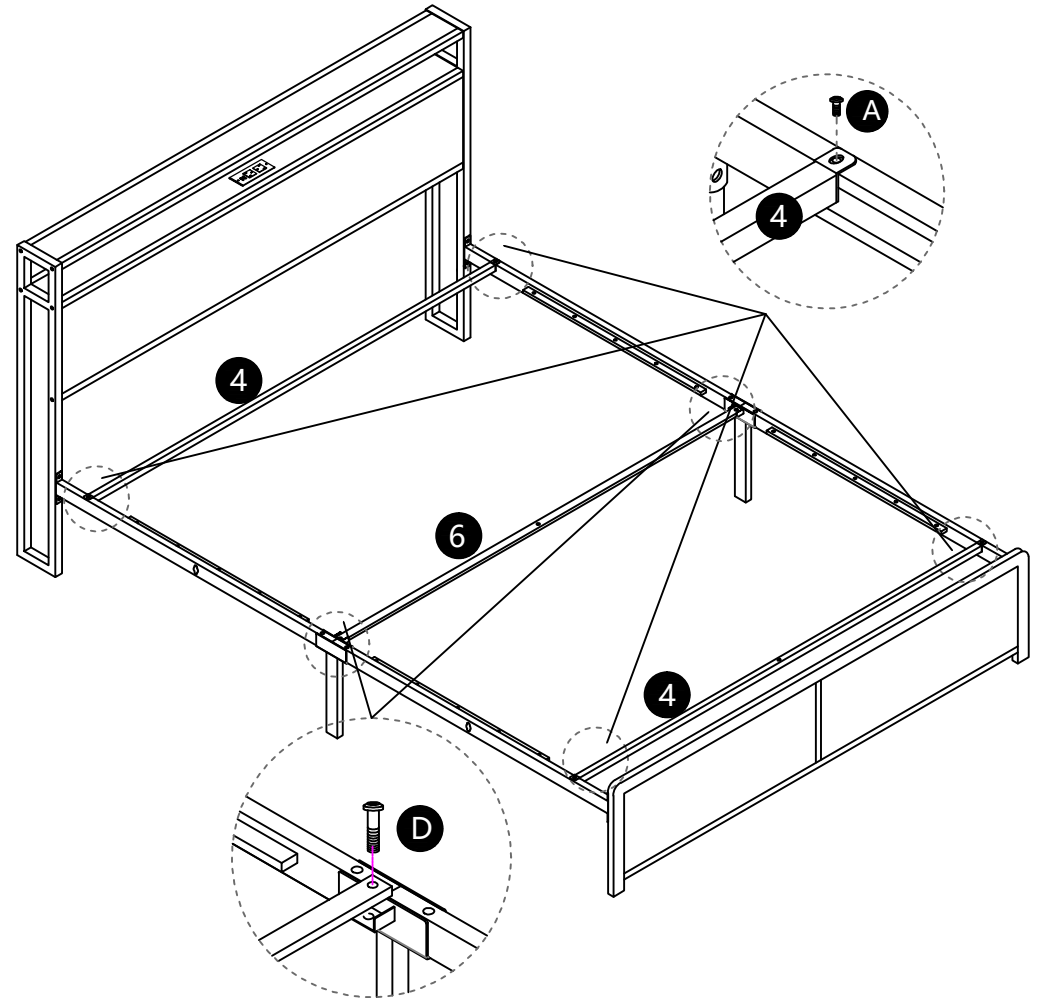
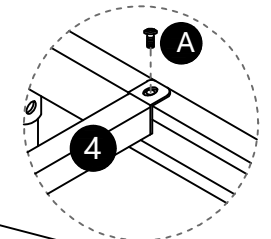
 M8\*20 **D** X 8PCS



Step:6

 M6\*15 **A** X 4PCS

 M8\*20 **D** X 2PCS



# Assembly Instruction of Bed

Step:7

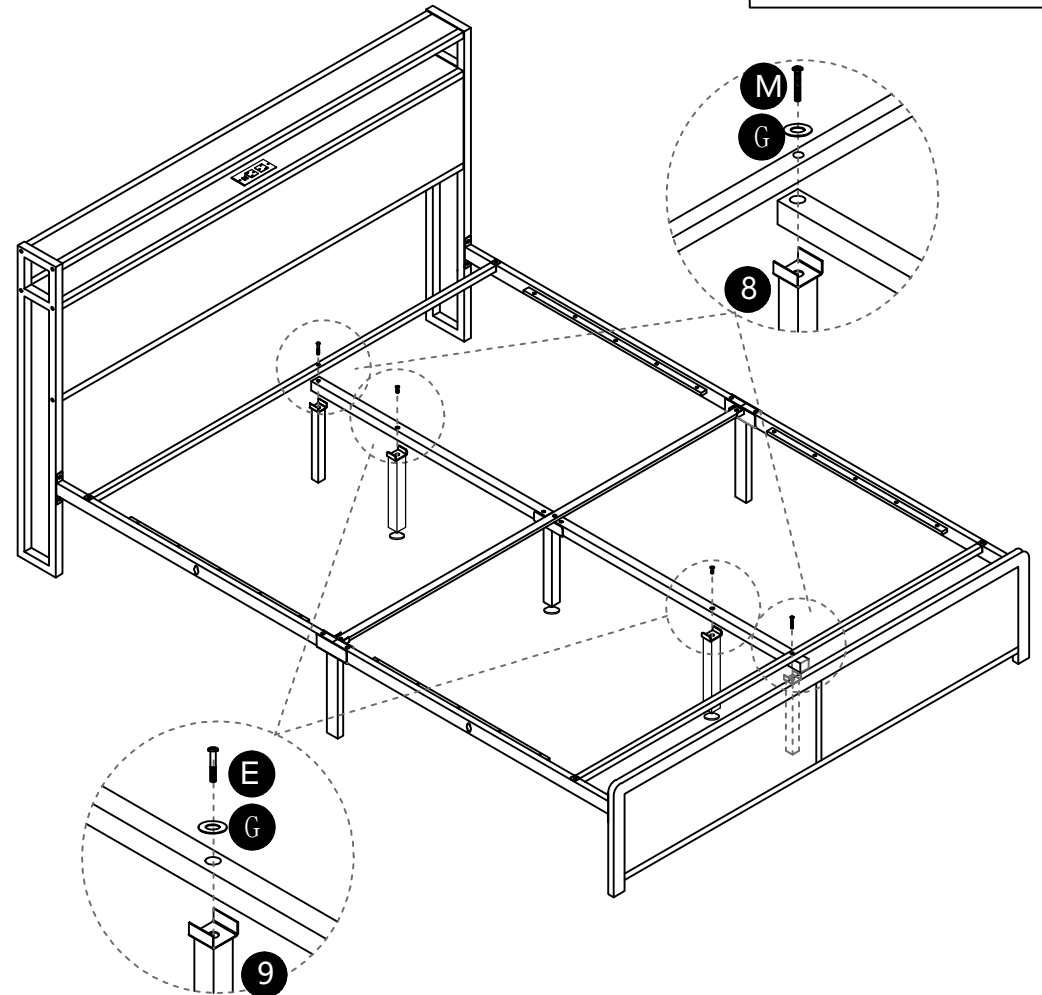
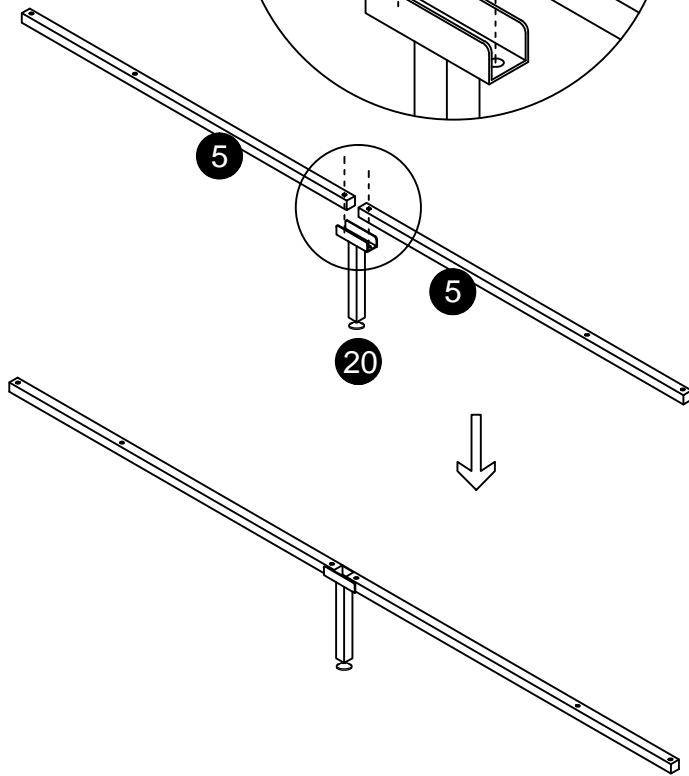
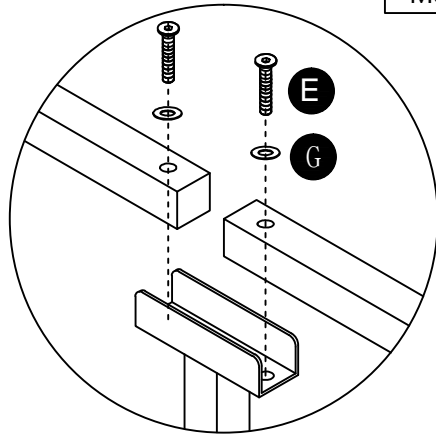
 **E** X 4PCS  
M8\*35

 **G** X 2PCS  
M8\*φ22

 **M** X 2PCS  
M8\*55

 **E** X 2PCS  
M8\*35


 **G** X 4PCS  
M8\*φ22

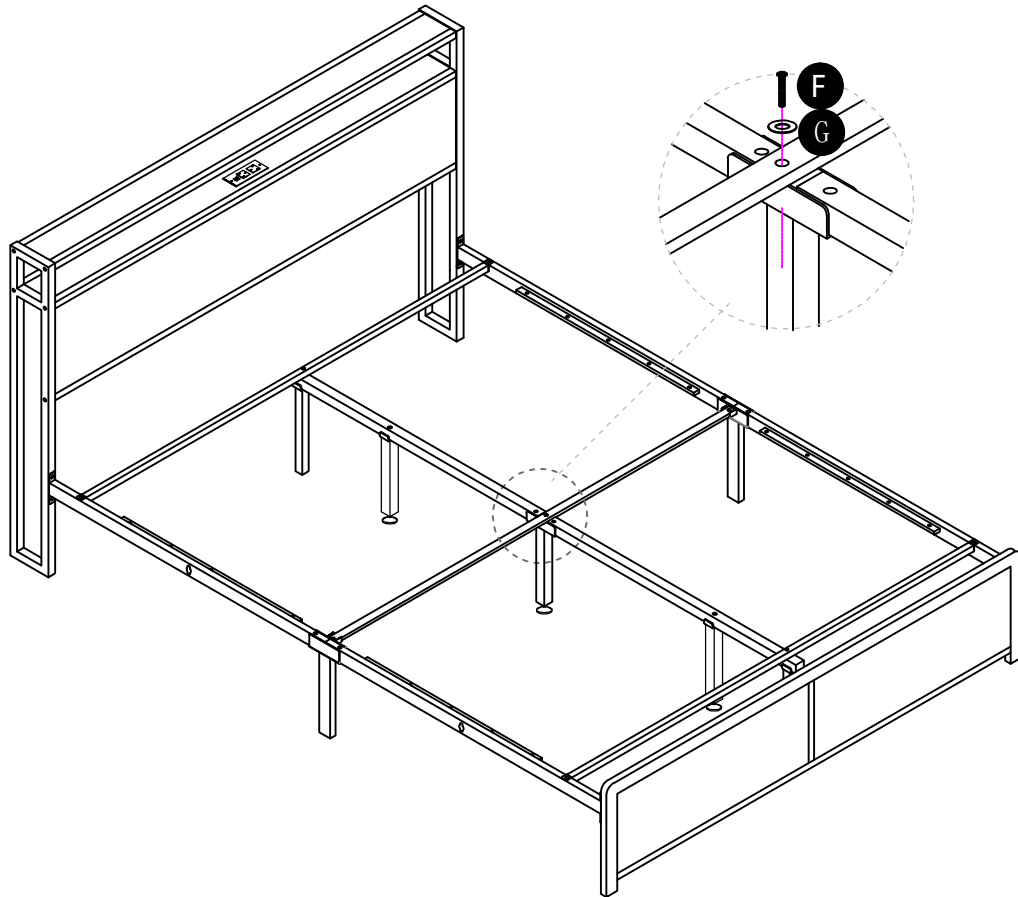


# Assembly Instruction of Bed

Step:7

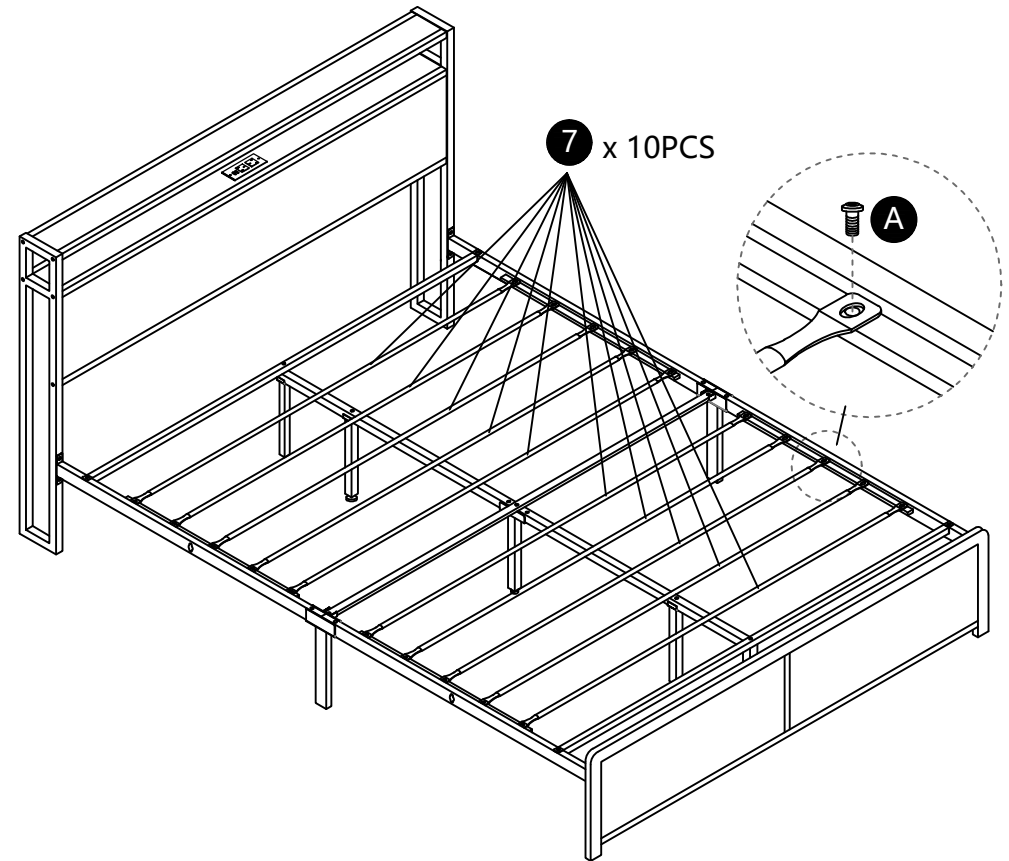
 **F** X 1PC  
M8\*48

 **G** X 1PC  
M8\*φ22



Step:8

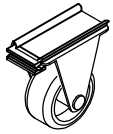
 **A** X 20PCS  
M6\*15



# Assembly Instruction of drawer

## Hardware parts

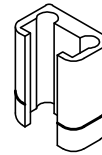
### Accessories in hardware box



5cm  
Pulley x 16



Black plastic buckle (A) x 36



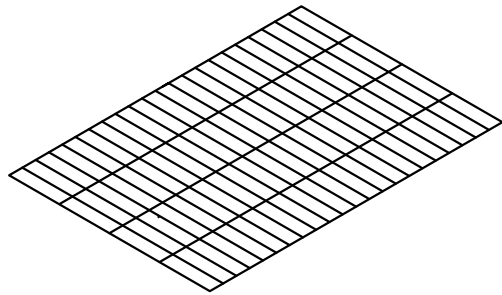
Black plastic buckle (B) x 36



M8\*13  
Screw x 24

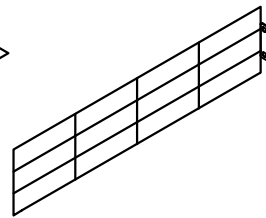
Note the **C** in the hardware blister pack

## Part list



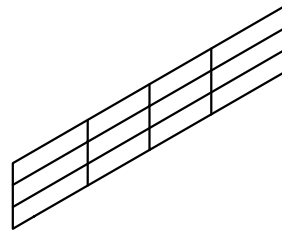
Drawer chassis

**14** 4PCS



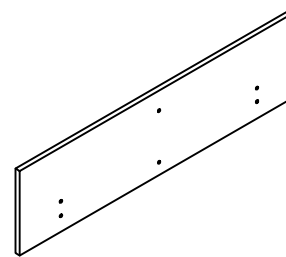
Drawer flank

**15** 8PCS



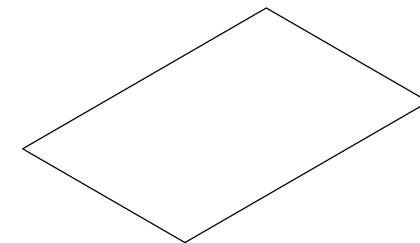
Drawer rear wall

**16** 4PCS



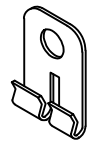
Drawer board

**17** 4PCS



Drawer pad

**18** 4PCS

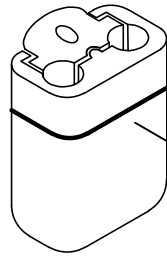
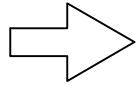
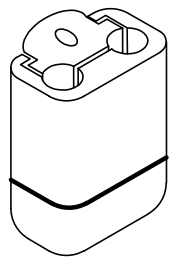


Iron buckle

**19** 5PCS

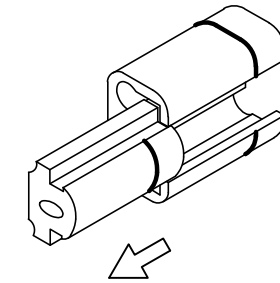
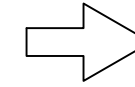
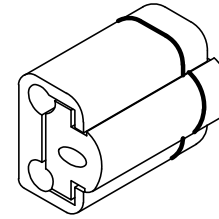
# Drawer's Assembly Instruction

## Black plastic buckle instructions for assembling drawer mesh

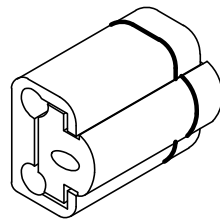
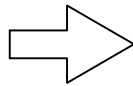
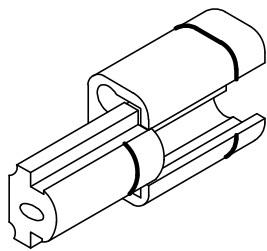


Remember this convex coil

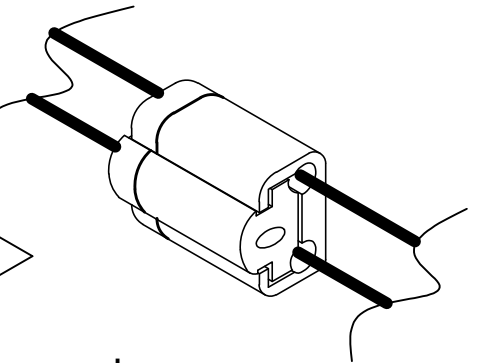
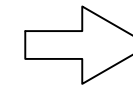
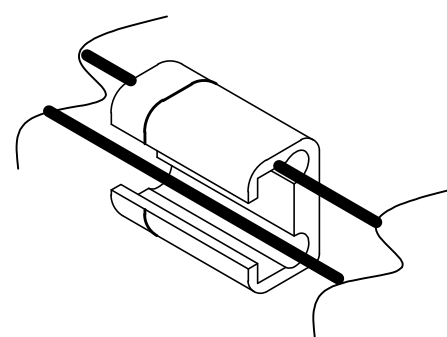
Reverse direction



You can pull the buckle out by following the direction indicated by the arrow



**So** This is the only direction that can be locked



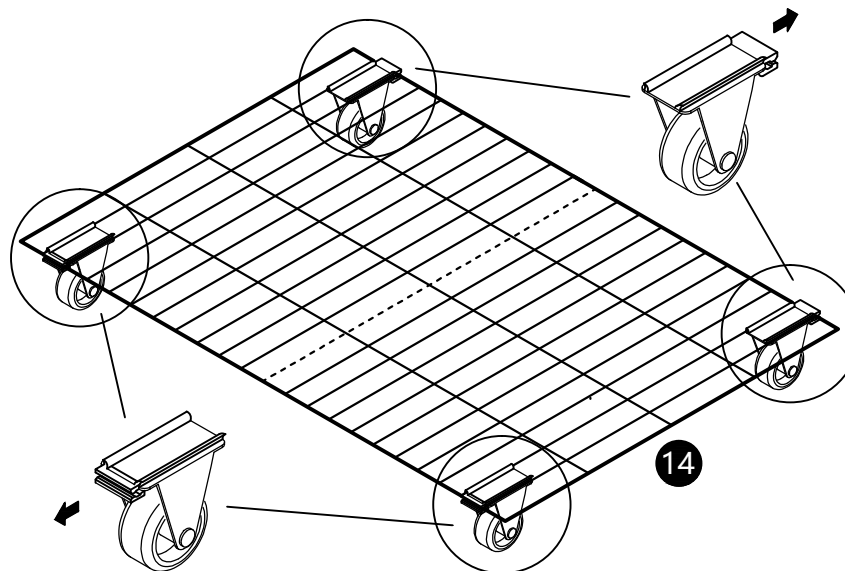
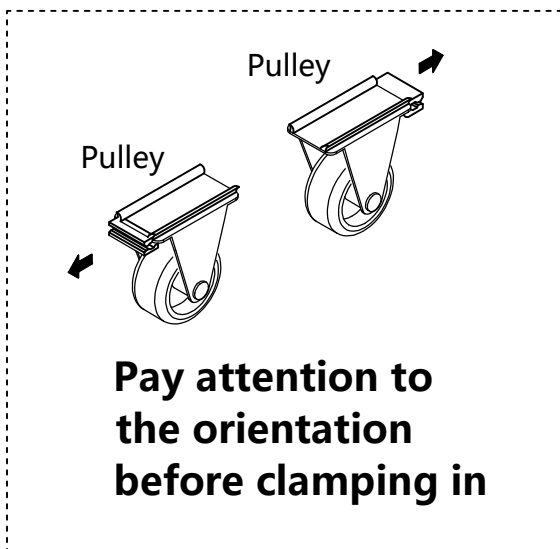
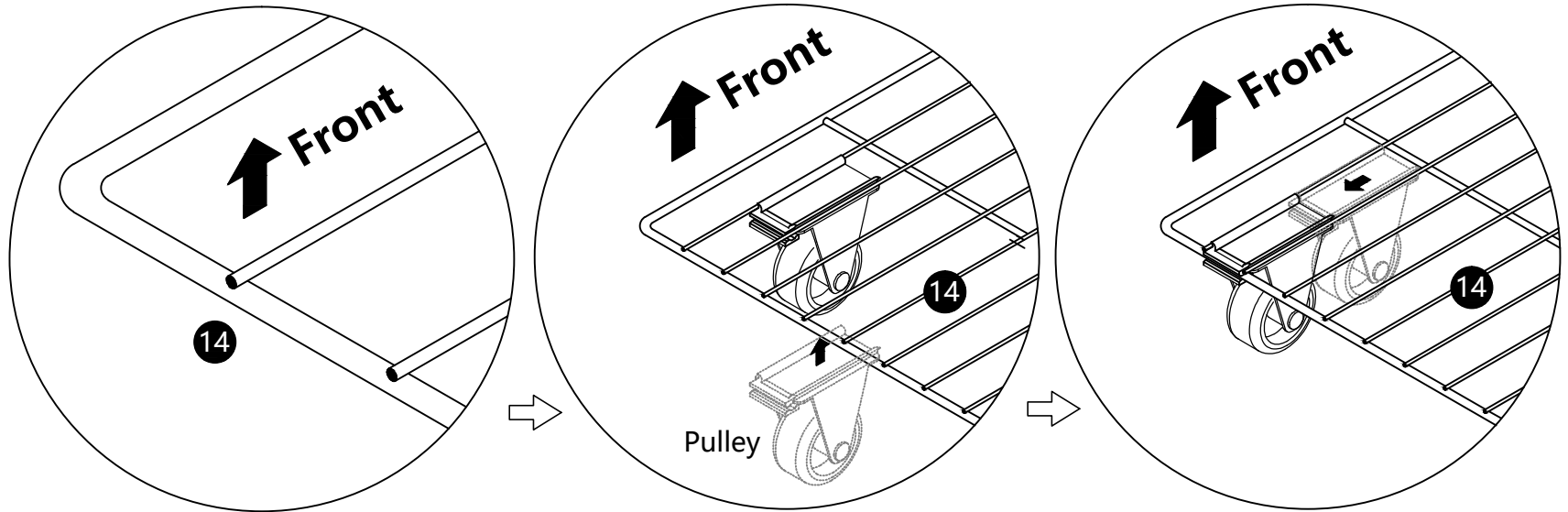
Place round iron tube as shown for better drawer assembly

# Drawer Base's Assembly Instruction

As shown in the figure  
Clip the pulley  
into position first

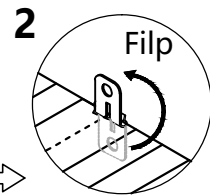
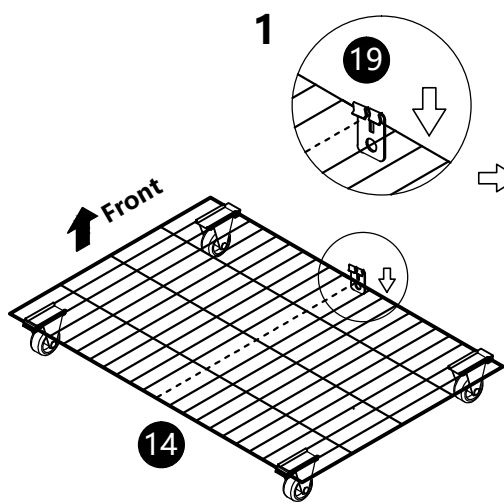
Then push the pulley to the side  
At the same time, clamp the iron  
wire at the edge  
It takes a little strength

Please note that  
this drawer base  
(14) has front  
and back sides!  
Please see the  
instructions  
clearly before  
assembling!!!



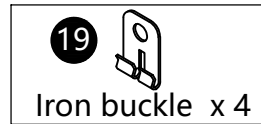
# Drawer's Assembly Instruction

Step:1



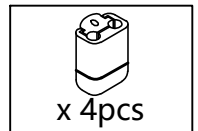
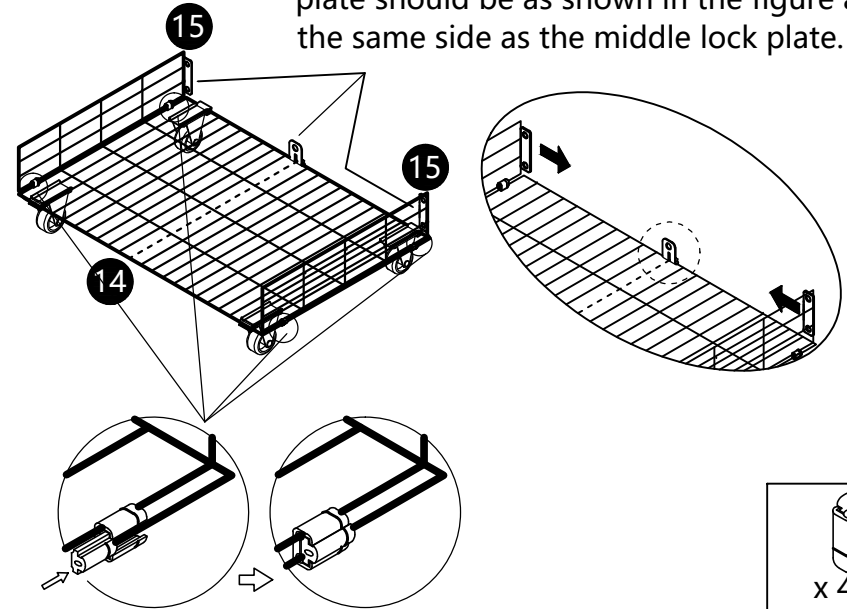
**1:** Buckle the accessories into the iron mesh as shown in the figure. The 11th one counted on the side is the middle.

**2:** Buckle it and turn it over

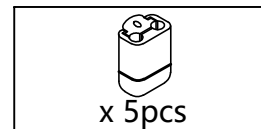
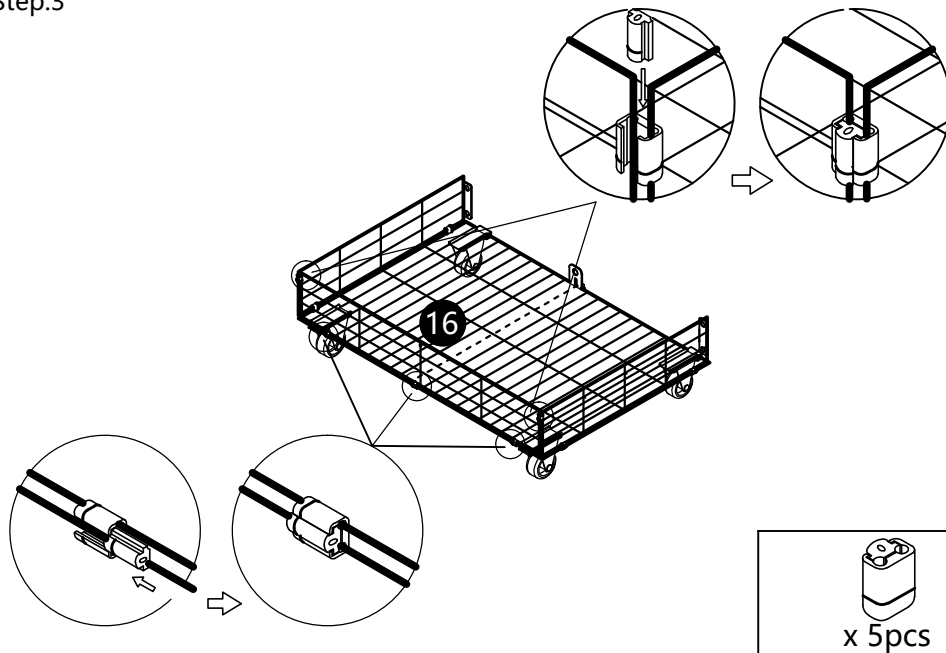


Step:2

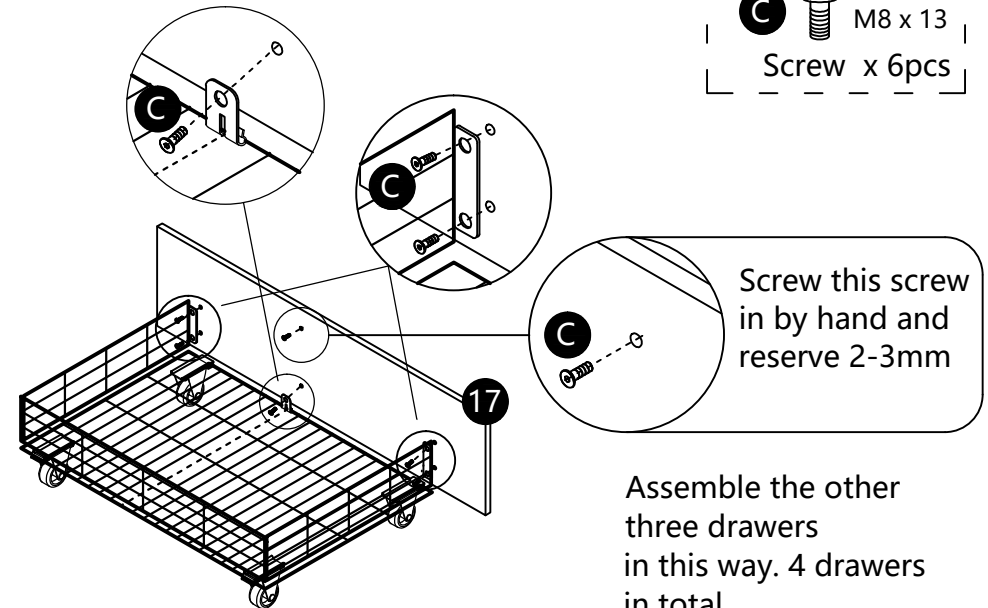
Please note that the direction of this lock plate should be as shown in the figure and the same side as the middle lock plate.



Step:3



Step:4



Screw this screw in by hand and reserve 2-3mm

Assemble the other three drawers in this way. 4 drawers in total.

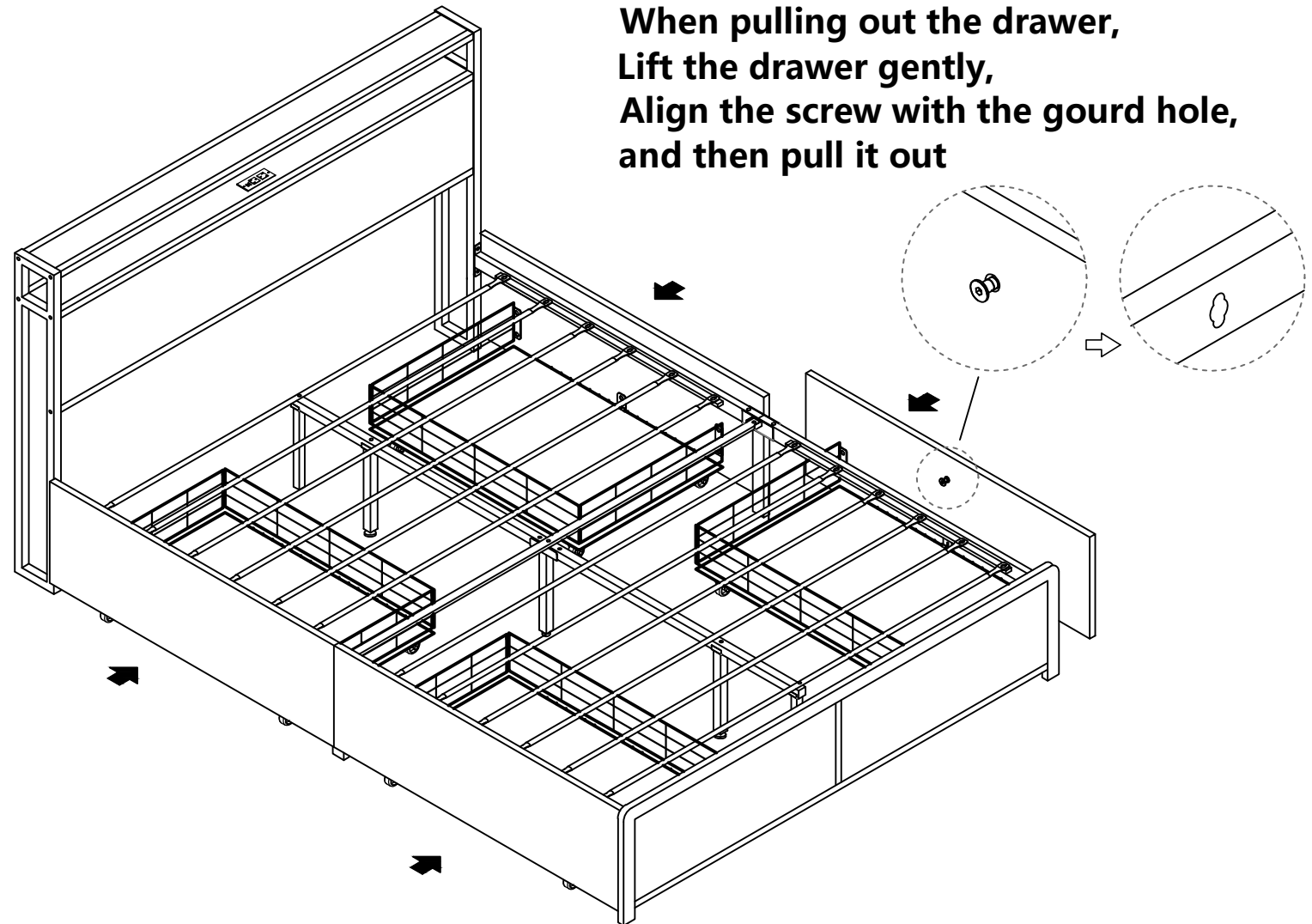
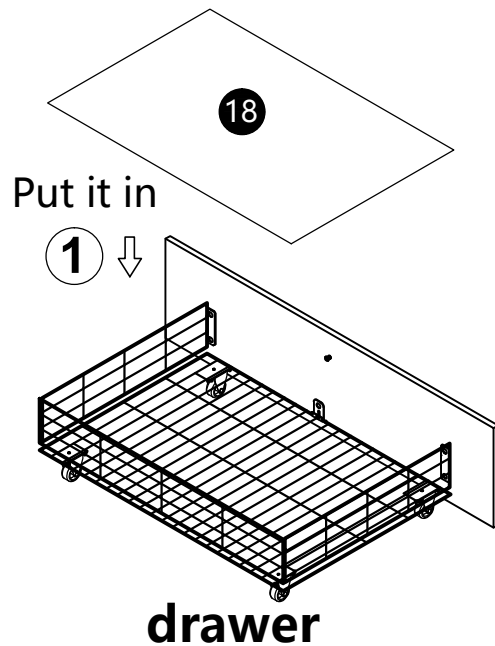
# Assembly Instruction

1: You must put the drawer pad (18) in the drawer

2: This screw must be turned out slightly, leaving a distance of 2-3mm

3: Gently lift the drawer, align the screw with the gourd hole, and then snap it in

**When pushing into the drawer, Lift the drawer gently, Align the screw with the gourd hole and push in**  
**When pulling out the drawer, Lift the drawer gently, Align the screw with the gourd hole, and then pull it out**





# WARNING

## KEEP OUT OF REACH OF CHILDREN

Swallowing can lead to chemical burns, perforation of soft tissue, and death. Severe burns can occur within 2 hours of ingestion. Seek medical attention immediately.



**Warning:** Contains button or coin cell battery Hazardous if swallowed – see instructions