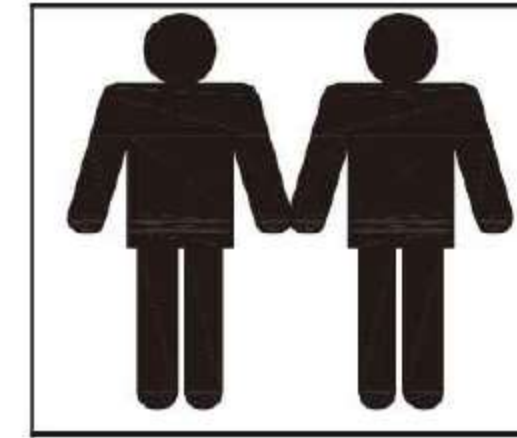


Assembly Instruction

Note:

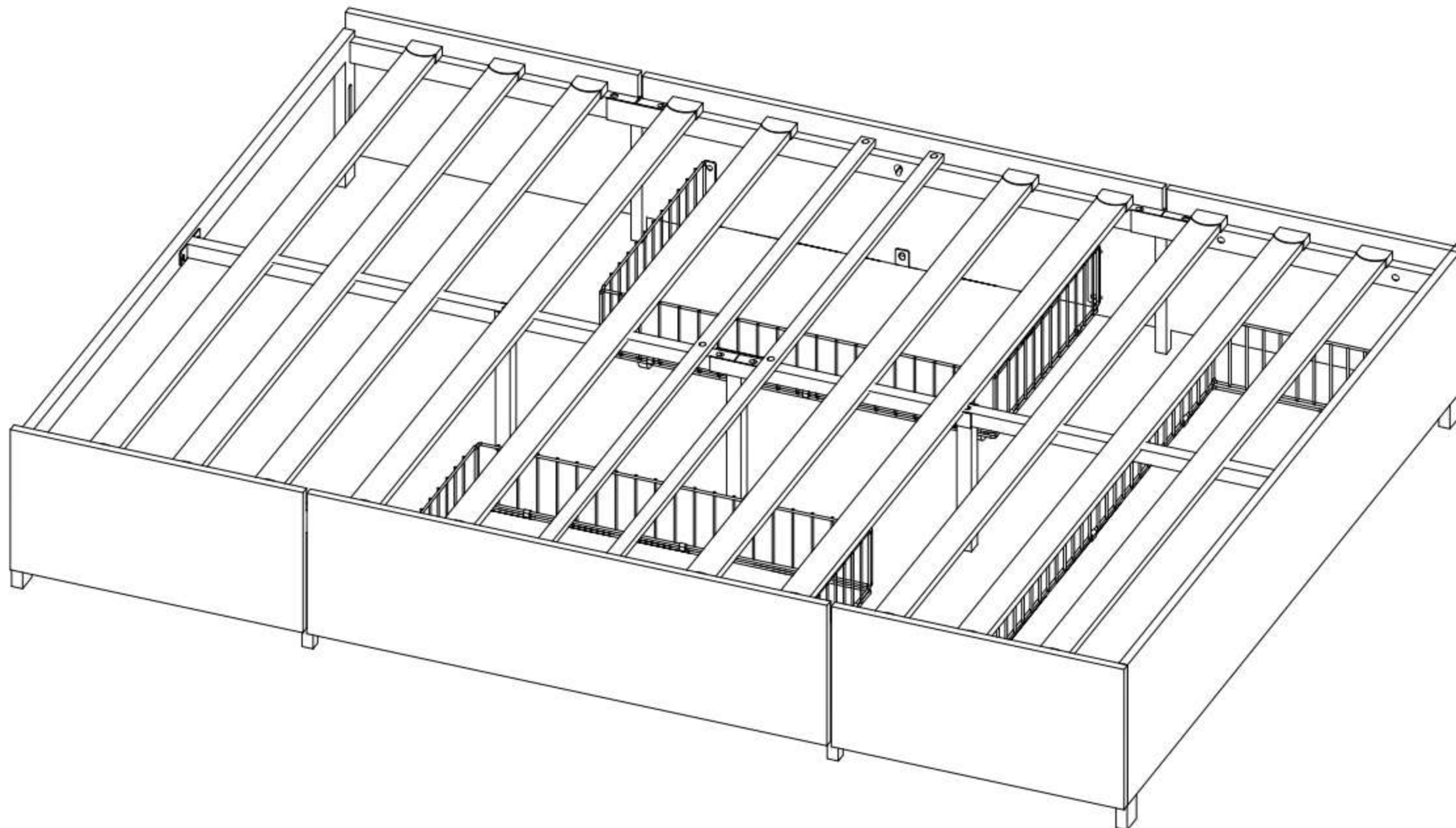
- 1. Should be assembled on flat ground to keep balance.**
- 2. Before completing the installation, do not tighten the screws.**



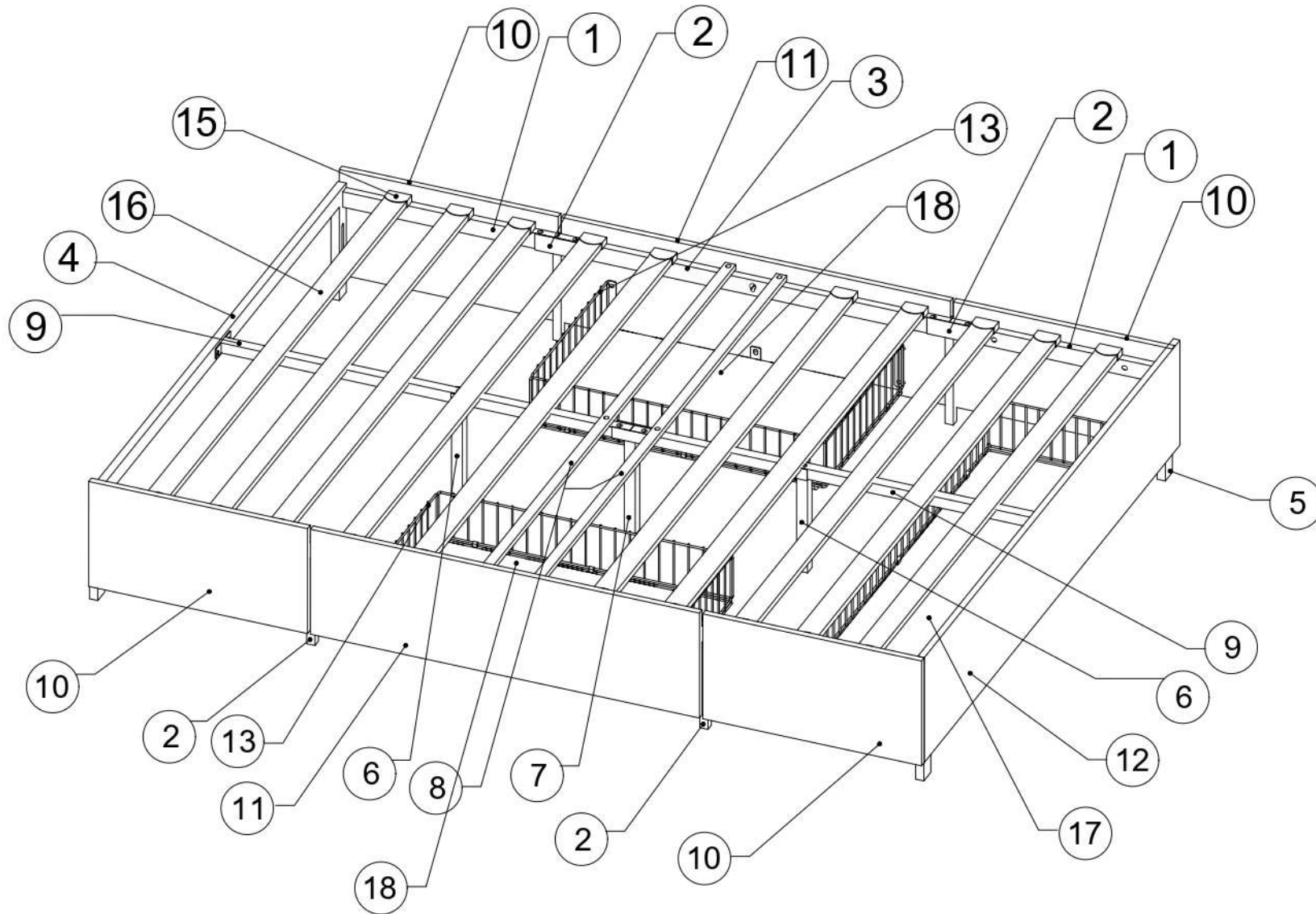
It needs at least two people to install.



Before starting the assembly, you must read the whole manual and follow the instructions







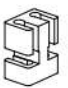







Assembly instruction






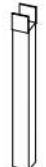



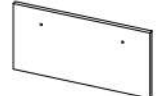
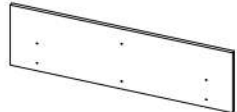
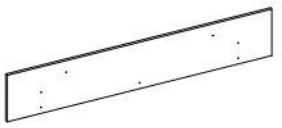




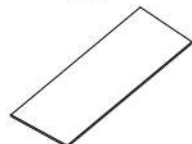



Assembly instruction

Hardware arts

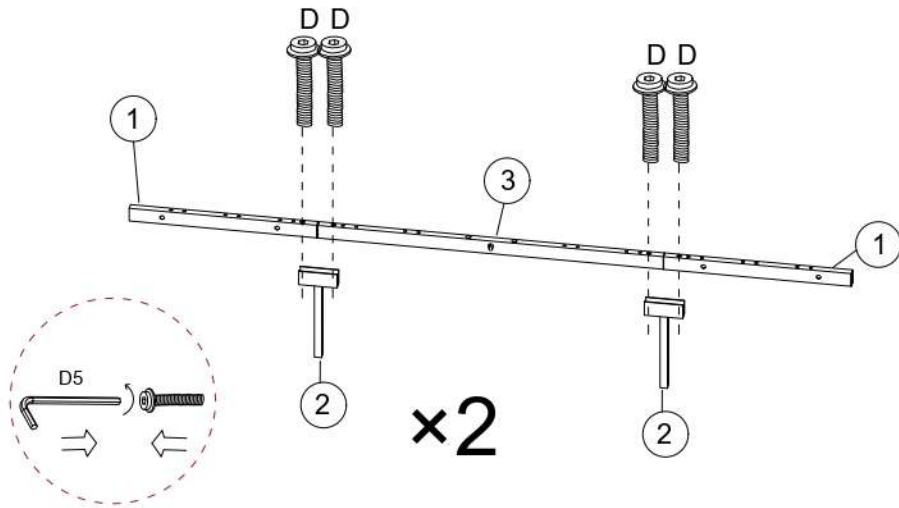
- | | | | | | |
|---|---|---|---|---|---|
|  |  |  |  |  |  |
| M8*20 | M6*40 | M8*35 | M8*50 | M8*25 | M6*15 |
| (A) 4PCS+1PC | (B) 8PCS+1PC | (C) 12PCS+1PC | (D) 8PCS+1PC | (E) 6PCS+1PC | (F) 15PCS+1PC |
|  |  |  |  |  |  |
| G 6PCS | H 3PCS | D5
I 1PC | J 12PCS | M6*15
K 4PCS | D4
L 1PC |

Part list

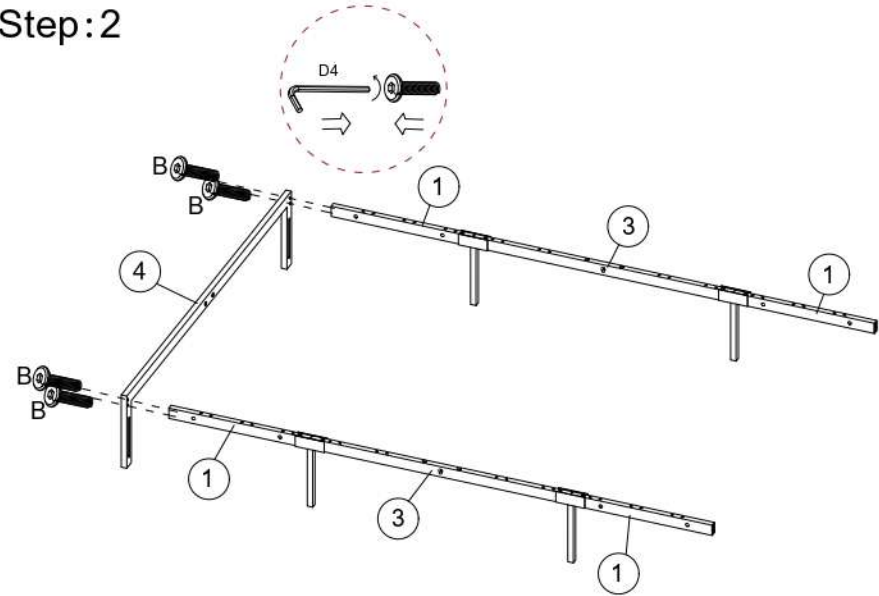
- | | | | | | |
|---|---|--|---|---|---|
|  |  |  |  |  |  |
| 1 4PCS | 2 4PCS | 3 2PCS | 4 1PC | 5 1PC | 6 2PCS |
|  |  |  |  |  |  |
| 7 1PC | 8 2PCS | 9 2PCS | 10 4PCS | 11 2PCS | 12 1PC |
|  |  |  |  |  |  |
| 13 2PCS | 14 1PC | 15 20PCS | 16 10PCS | 17 1PCS | 18 2PCS |

Assembly instruction

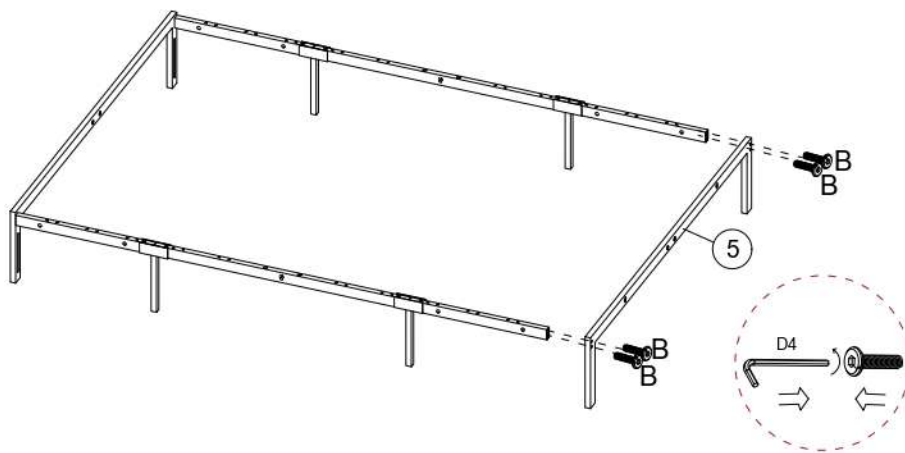
Step:1



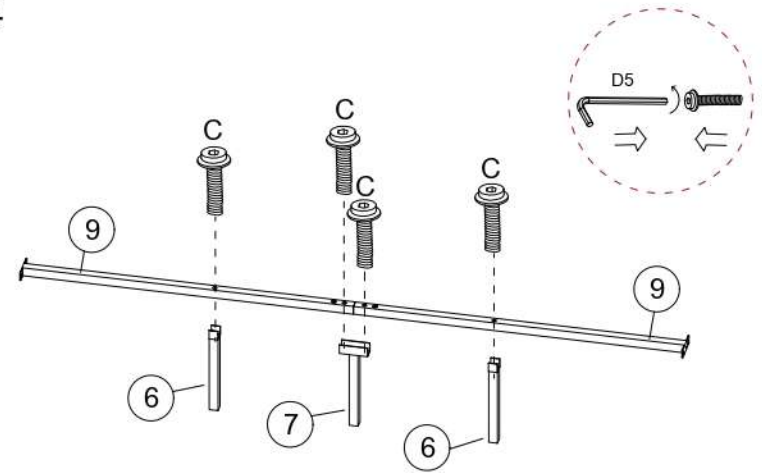
Step:2



Step:3

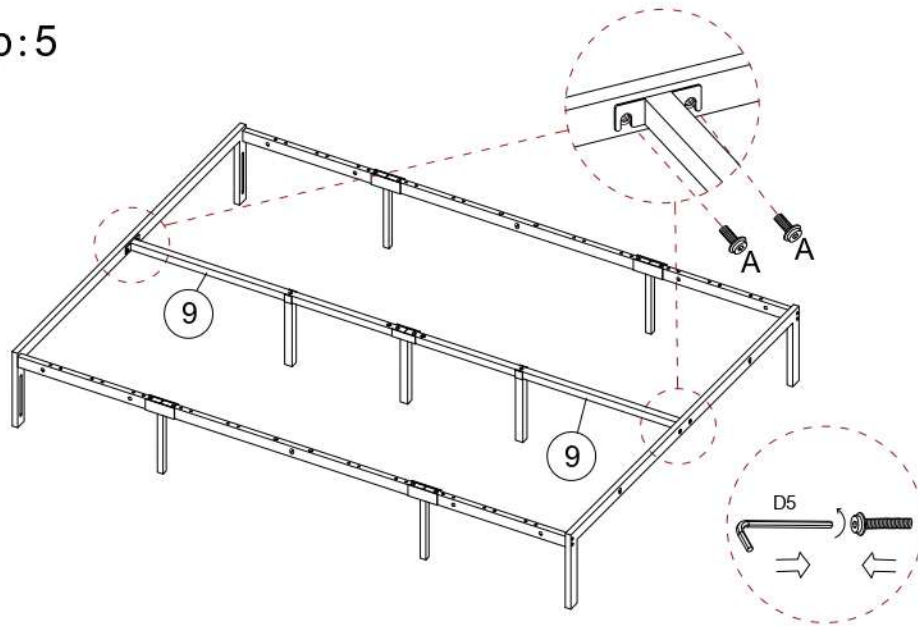


Step:4

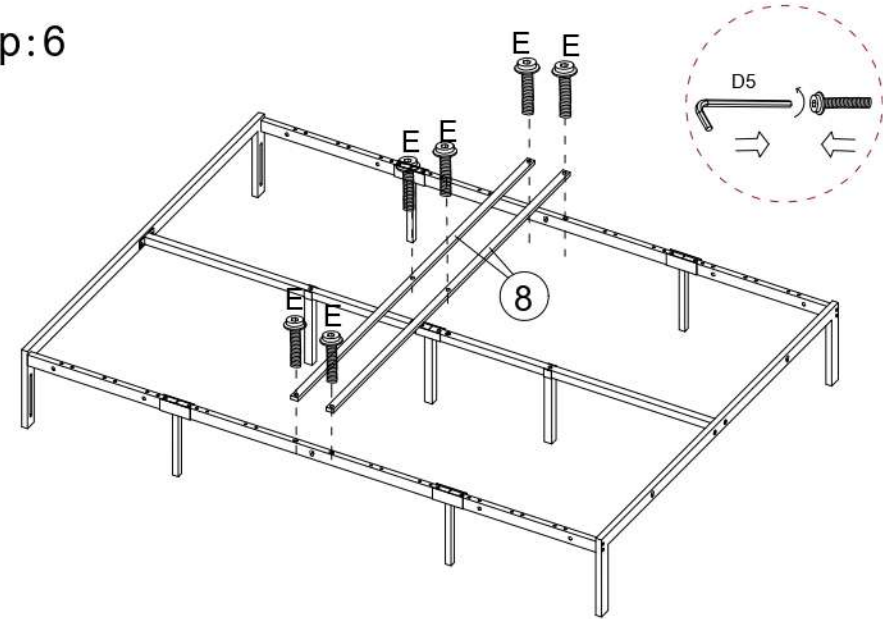


Assembly instruction

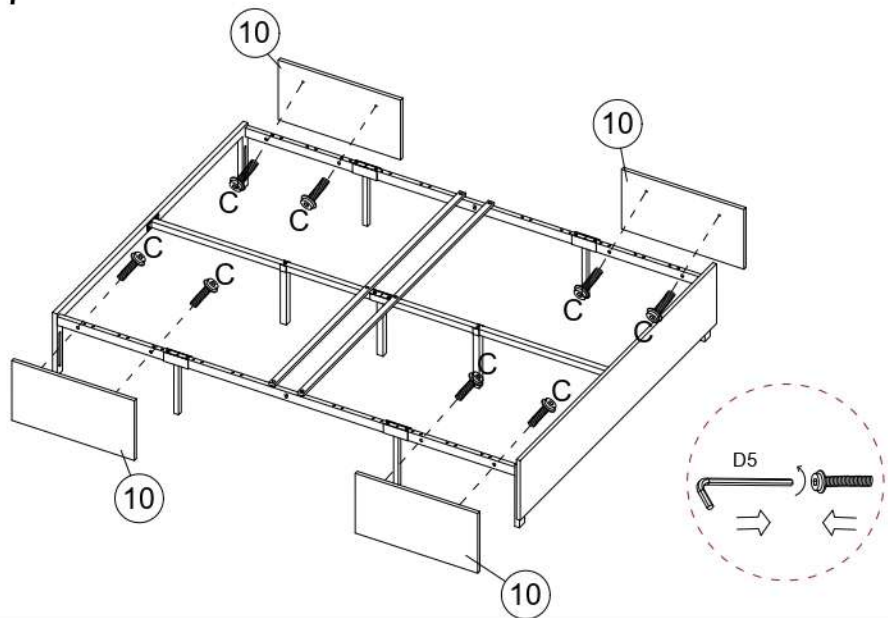
Step:5



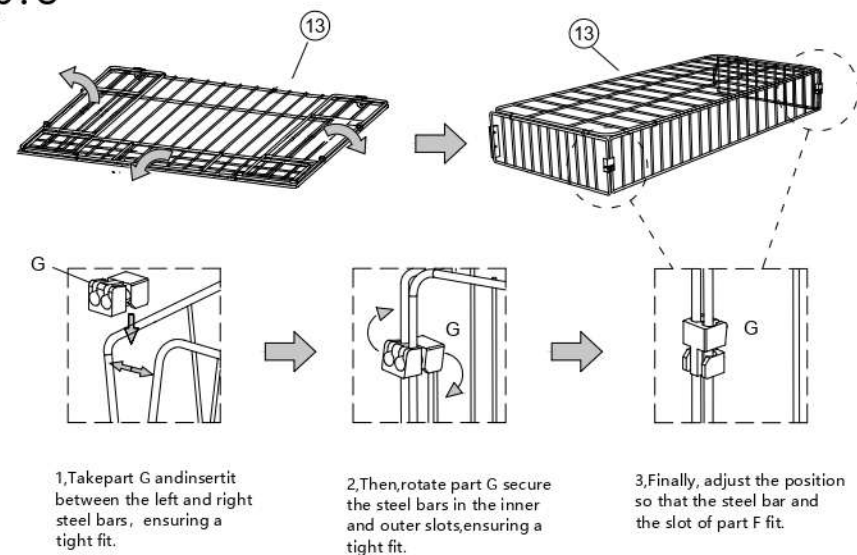
Step:6



Step:7

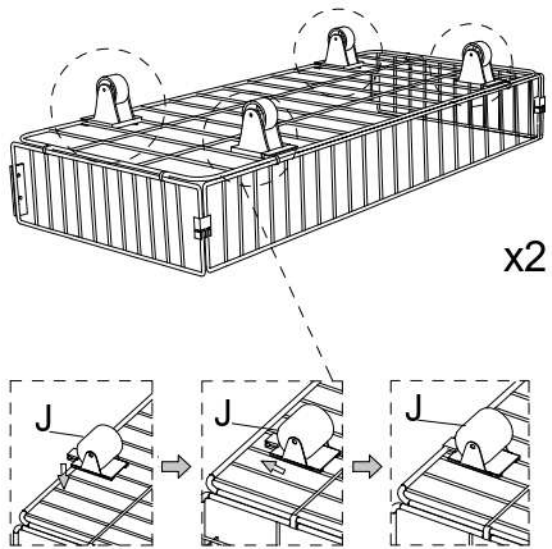


Step:8

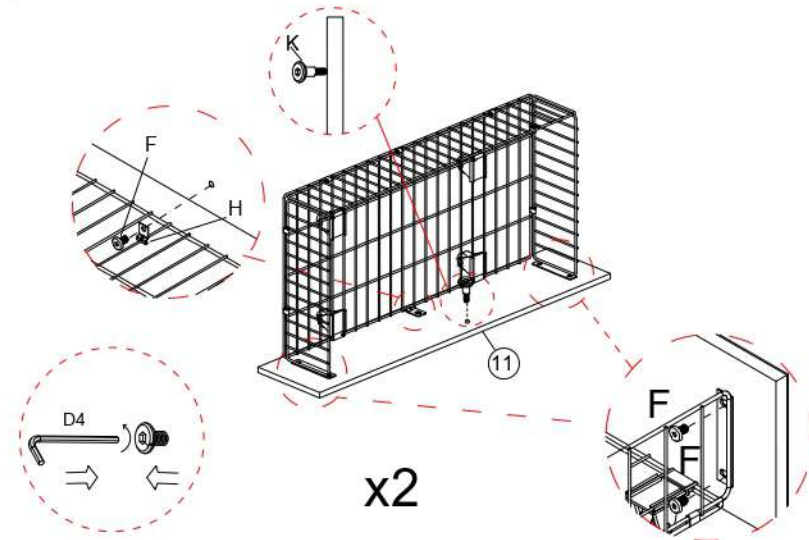


Assembly instruction

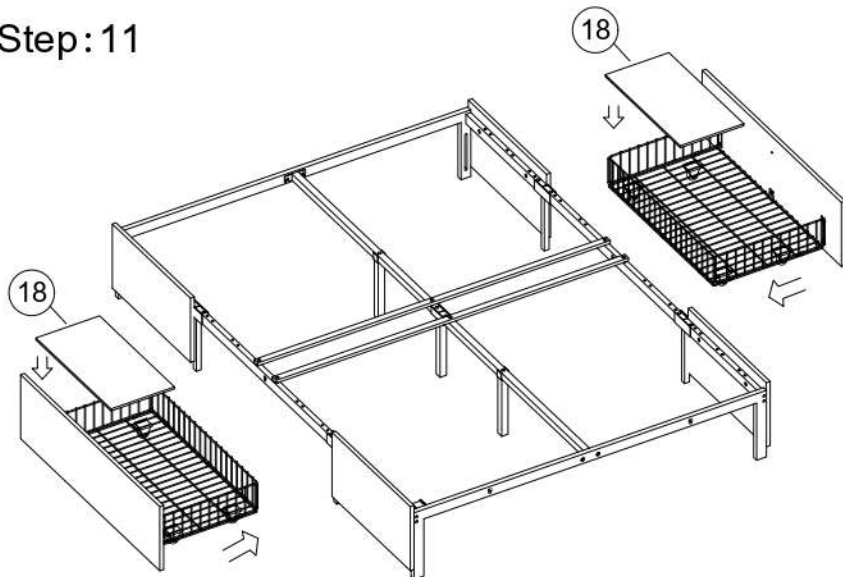
Step: 9



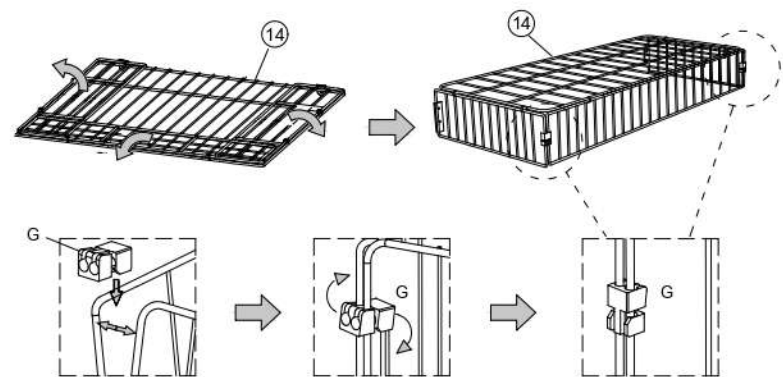
Step: 10



Step: 11



Step: 12



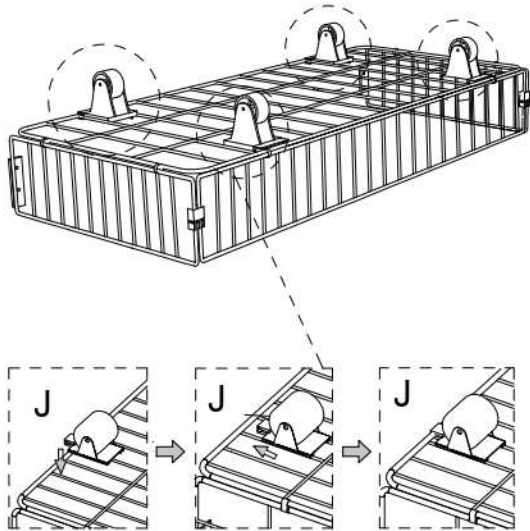
1, Take part G and insert it between the left and right steel bars, ensuring a tight fit.

2, Then, rotate part G to secure the steel bars in the inner and outer slots, ensuring a tight fit.

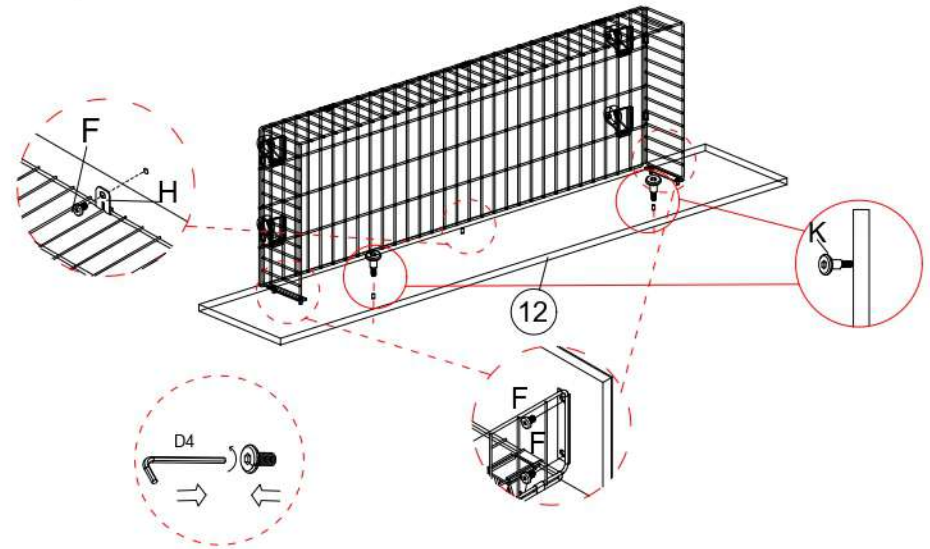
3, Finally, adjust the position so that the steel bar and the slot of part F fit.

Assembly instruction

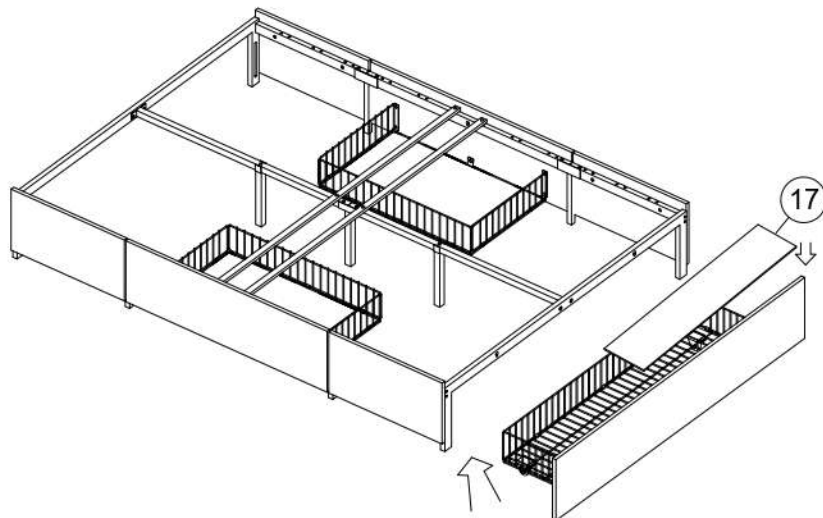
Step: 13



Step: 14



Step: 15



Step: 16

