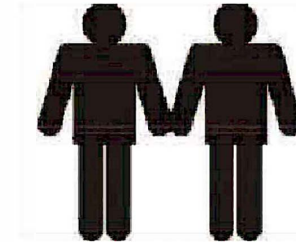
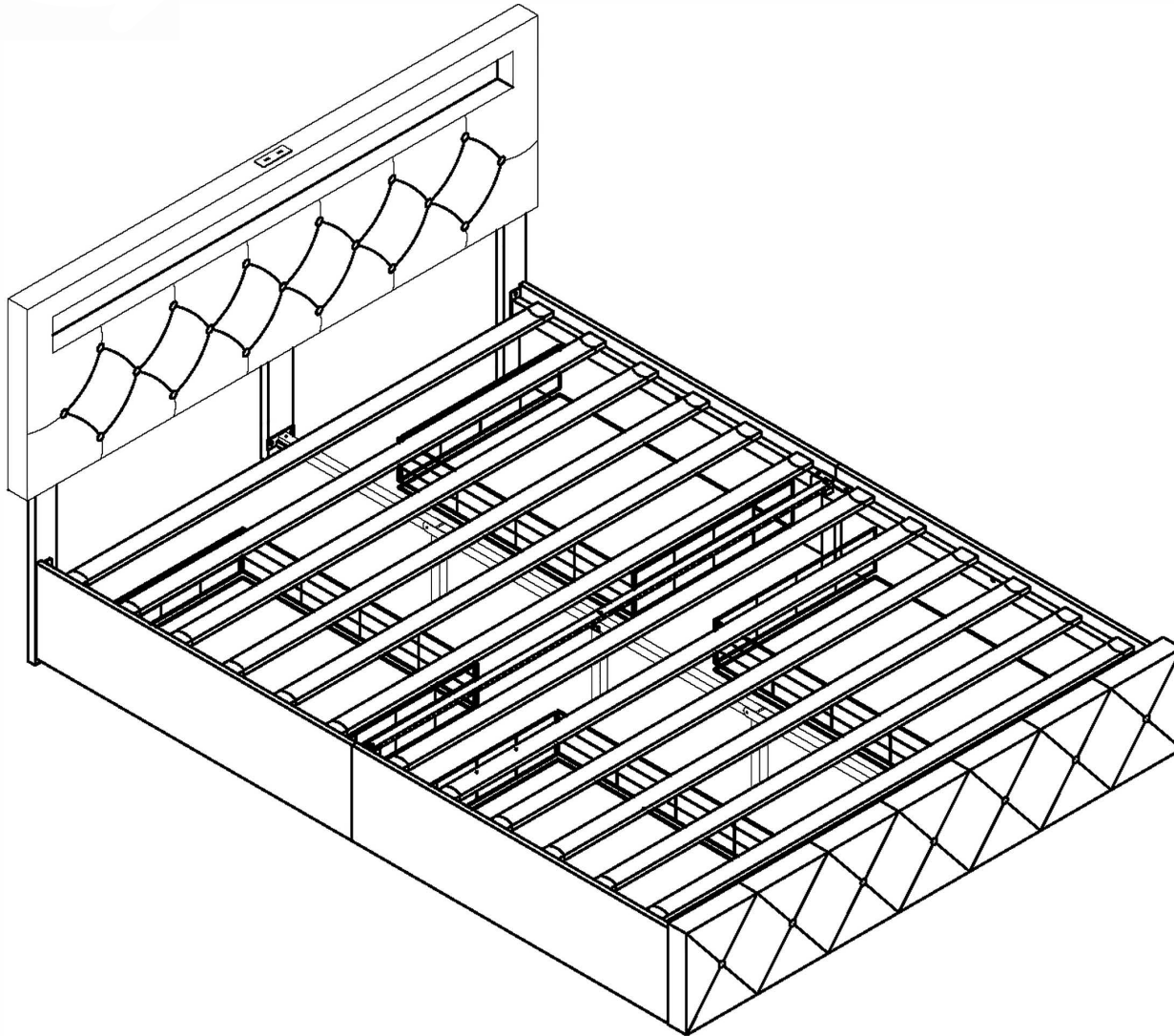


Assembly Instruction

Note:

- 1. Should be assembled on flat ground to keep balance.**
- 2. Before completing the installation, do not tighten the screws.**



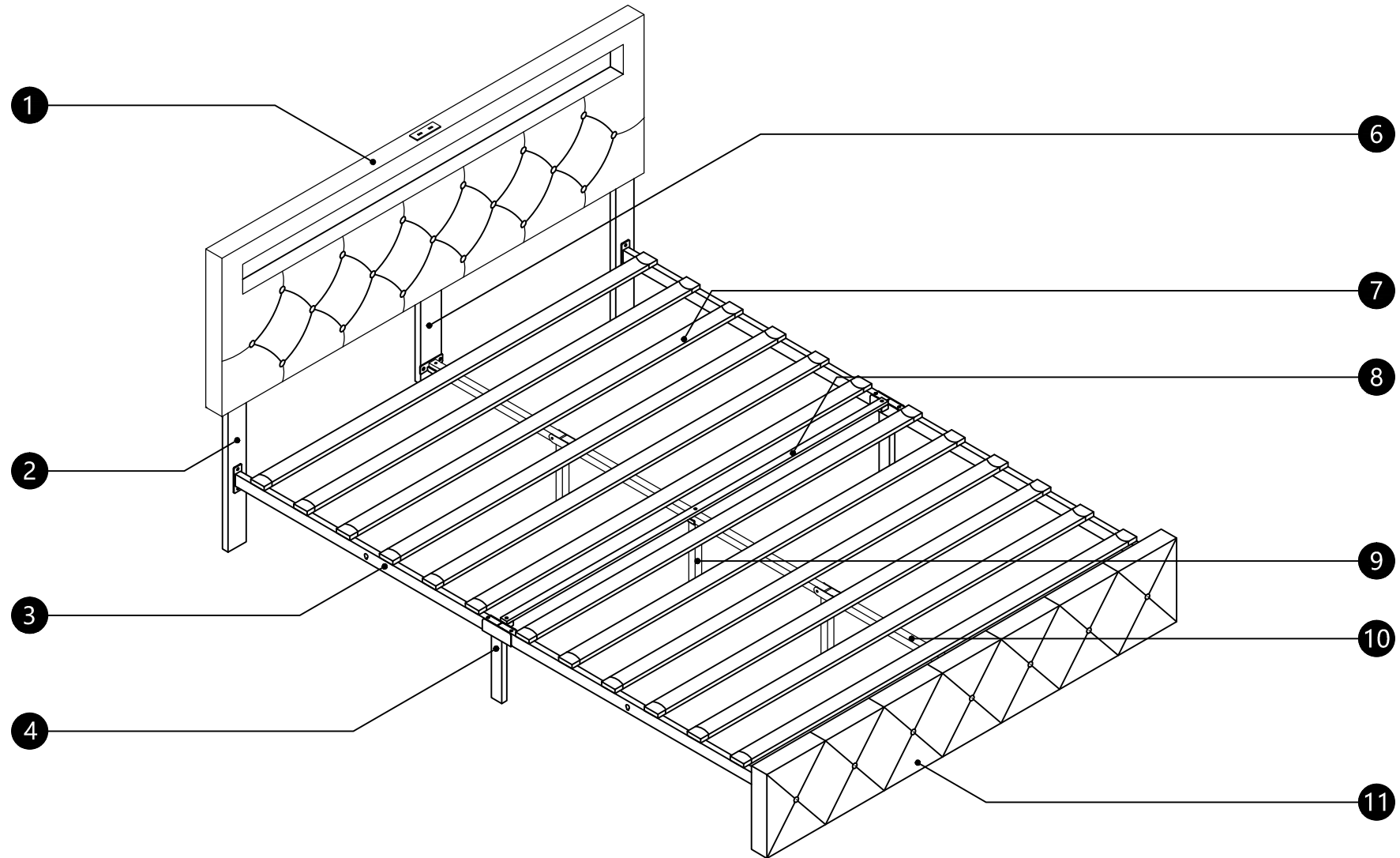
It needs at least two people to install.



Before starting the assembly, you must read the whole manual and follow the instructions

Assembly Instruction of bed

Drawer not included



Assembly Instruction of bed

Hardware parts



M8*15

A 26PCS



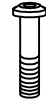
M8*25

B 12PCS



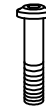
M8*35

C 5PCS



M8*45

D 7PCS



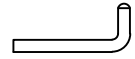
M8*55

E 4PCS



M8

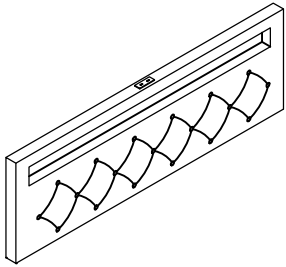
F 6PCS



M8

G 1PC

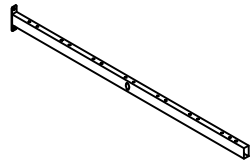
Part list



1 1PC



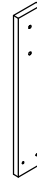
2 2PCS



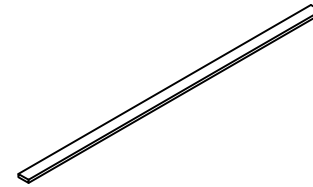
3 4PCS



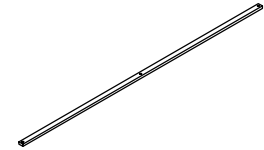
4 2PCS



6 1PC



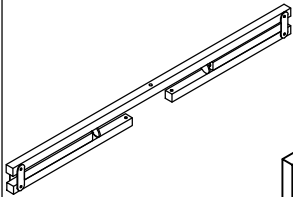
7 12PCS



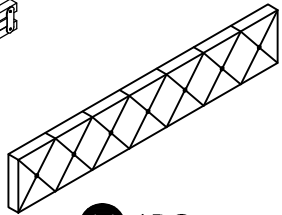
8 1PC



9 1PC



10 1PC



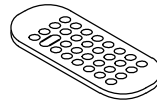
11 1PC



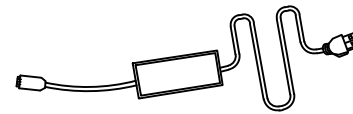
12 2PCS



13 24PCS



20 1PC



21 1PC



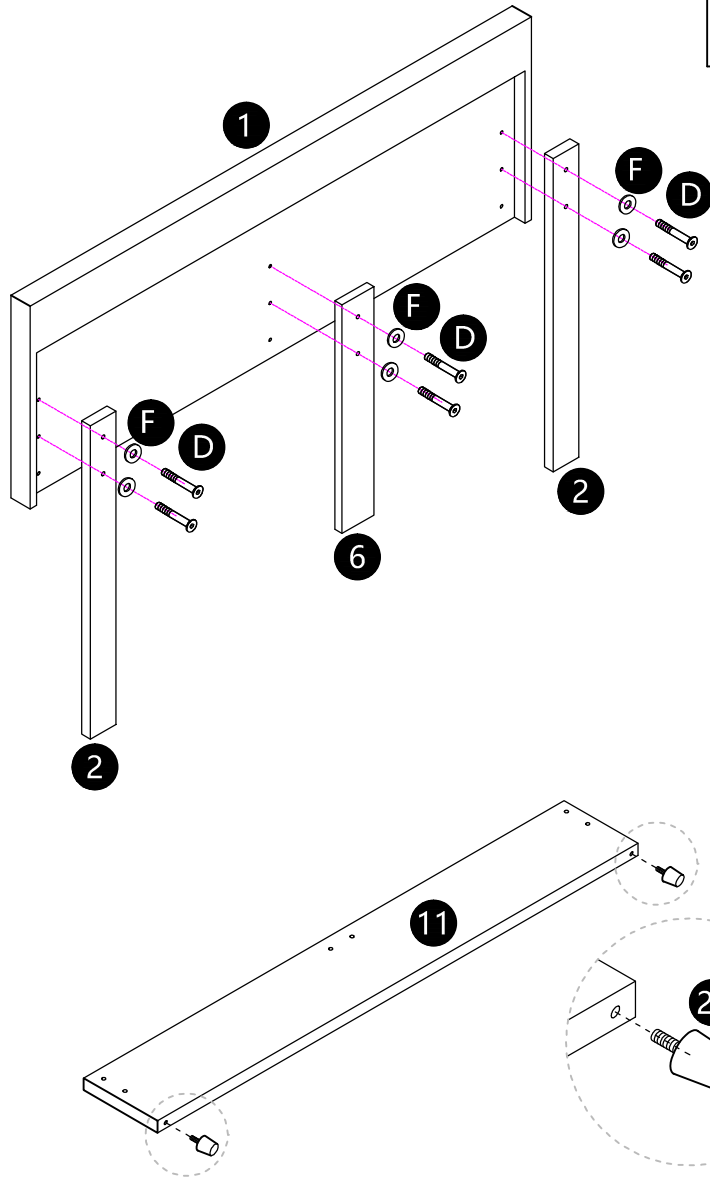
22 2PCS

Assembly Instruction of bed

Step:1

 **D** X 6PCS

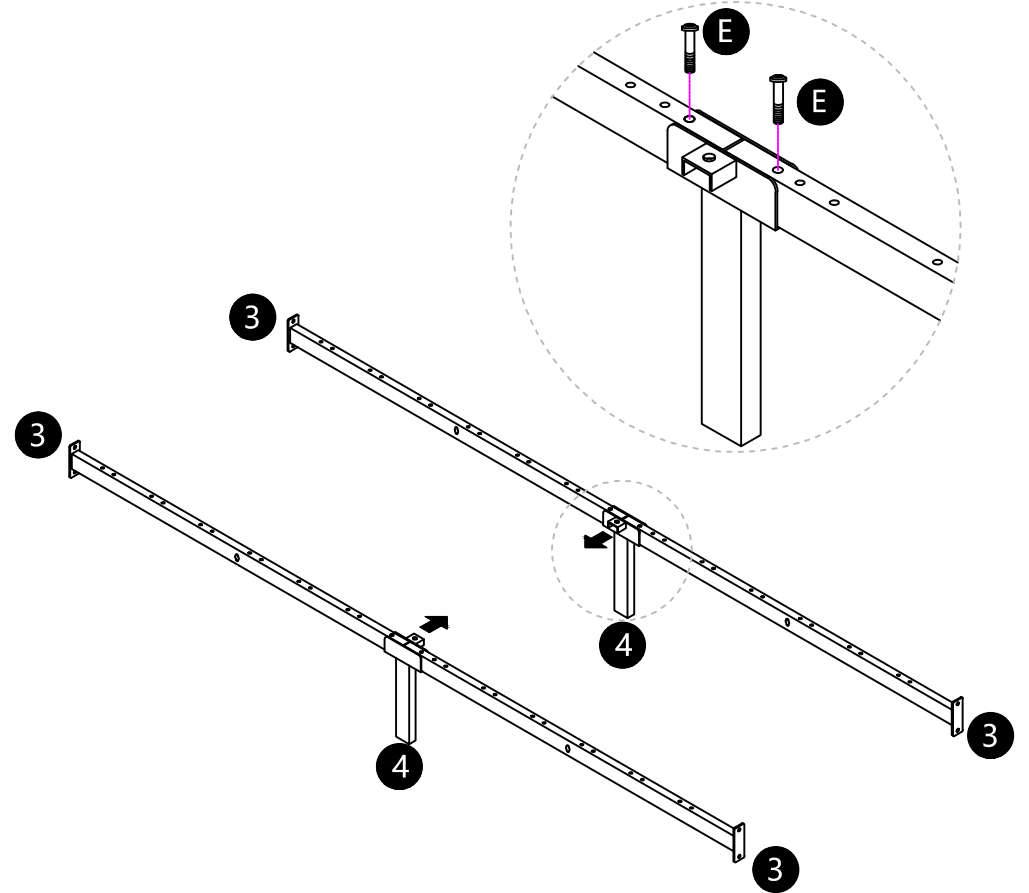
 **F** X 6PCS



Step:2

 **E** X 4PCS

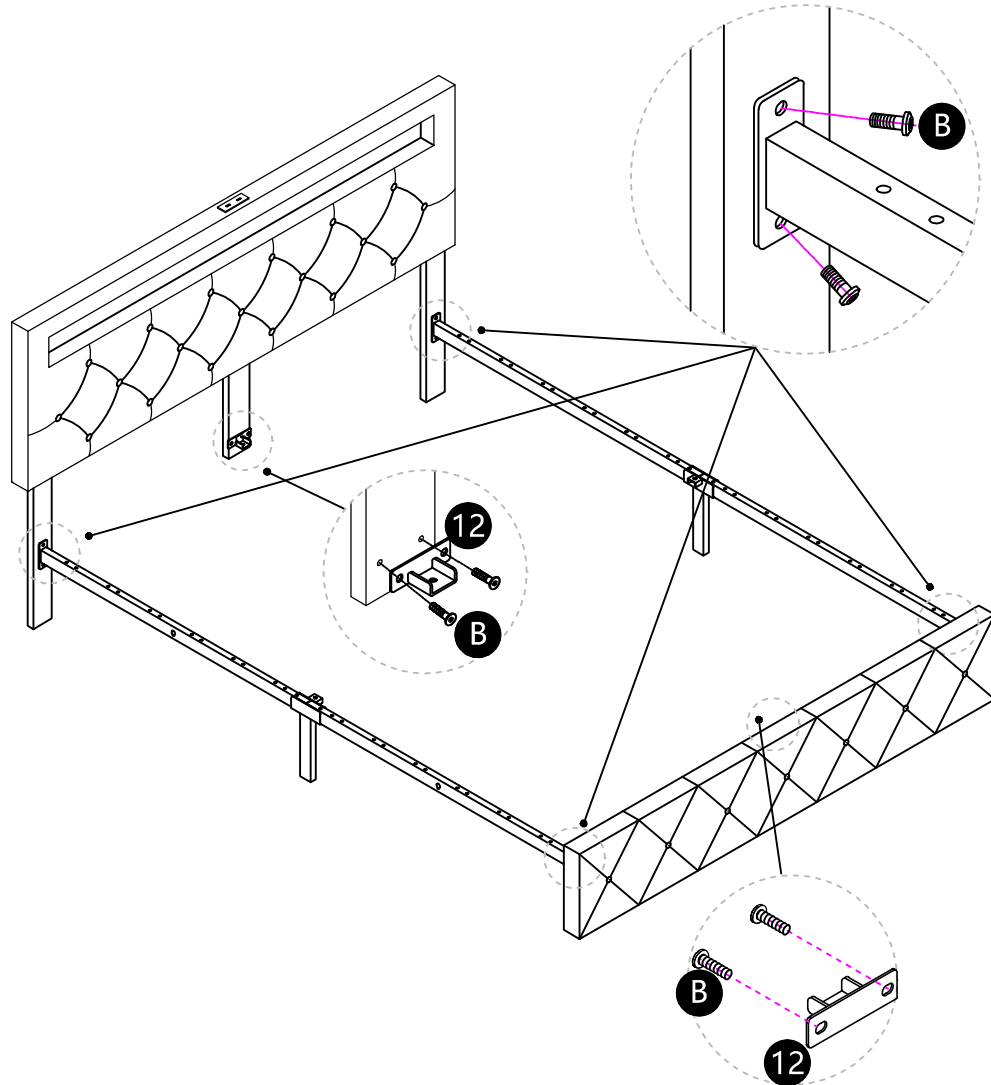
Four bed sides (**3**)
need to be installed, 2 sets in total



Assembly Instruction of bed

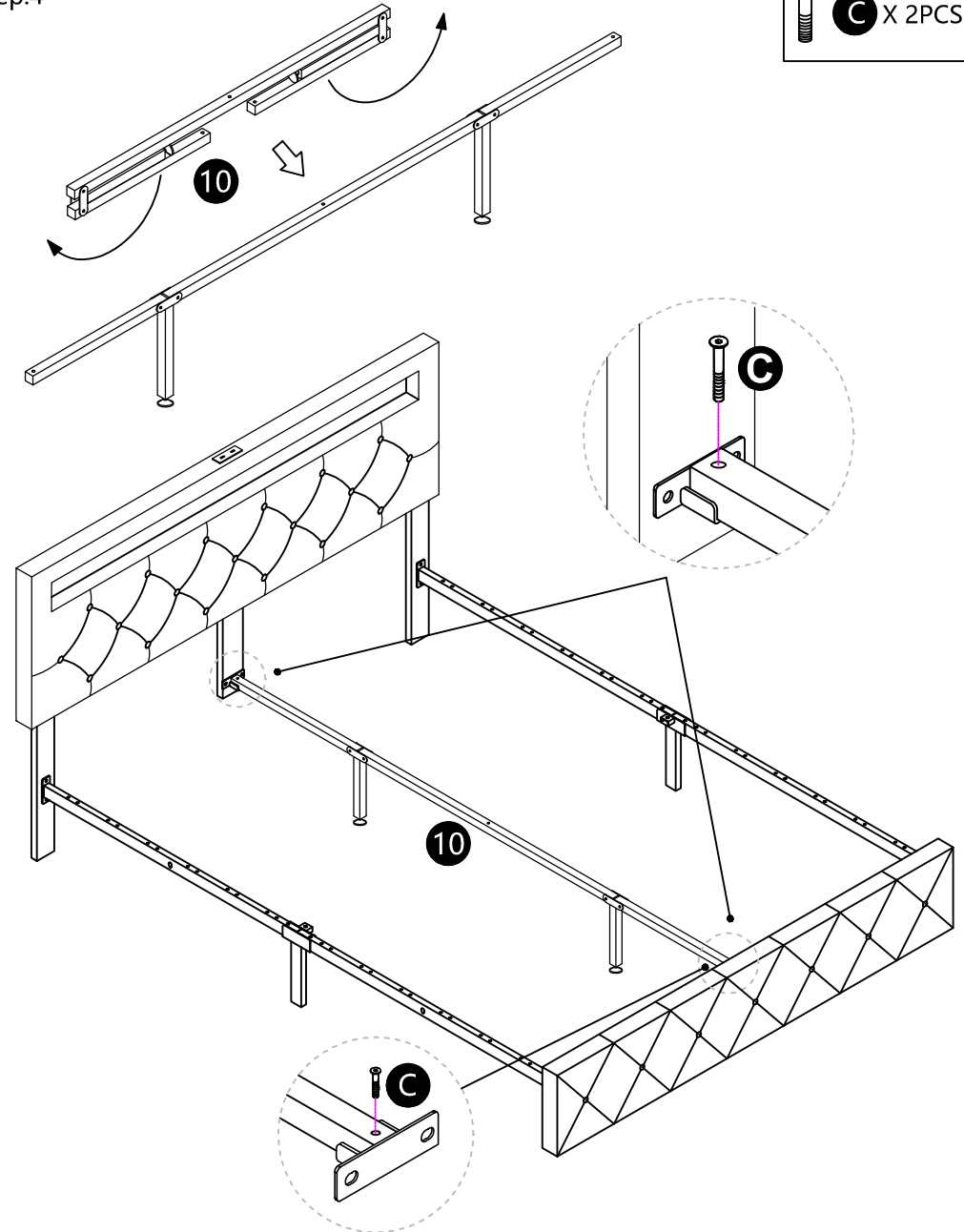
Step:3

 **B** X12PCS



Step:4

 **C** X 2PCS

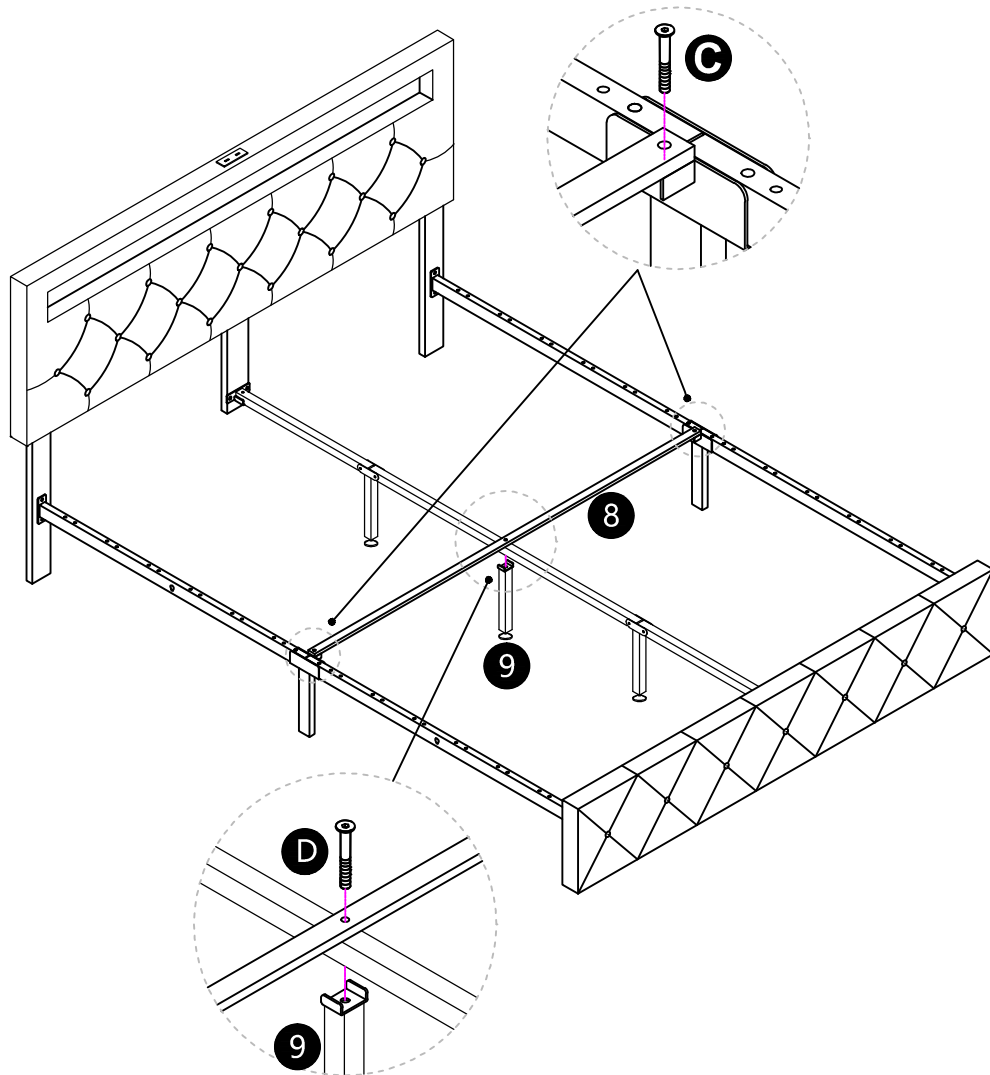


Assembly Instruction of bed

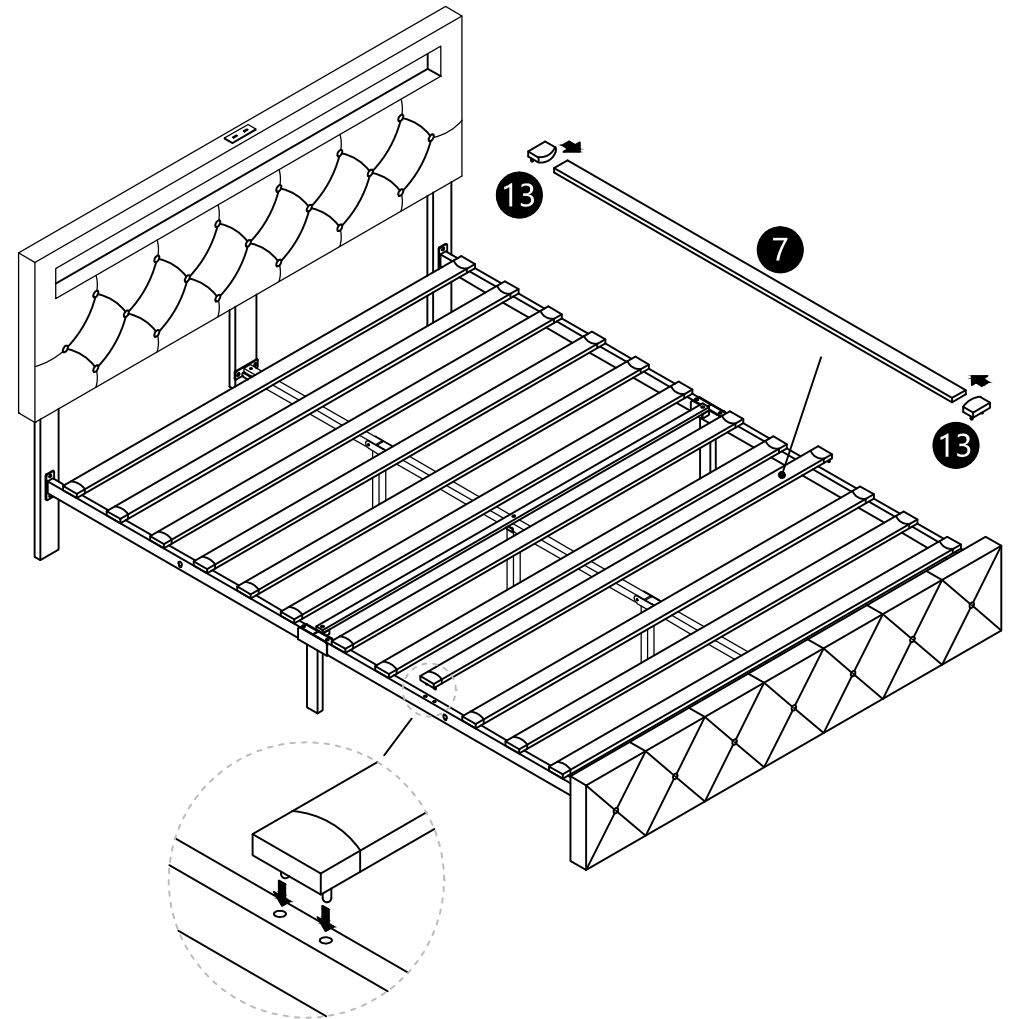
Step:5

 **G** X 2PCS

 **D** X 1PC



Step:6



Drawer's Assembly Instruction

Hardware parts

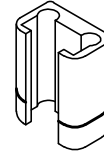
Accessories in hardware box



Pulley x 16



Black plastic buckle (A) x 36



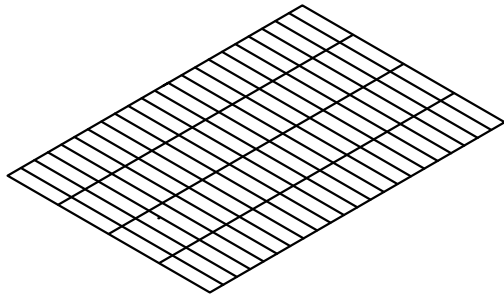
Black plastic buckle (B) x 36



Screw x 24

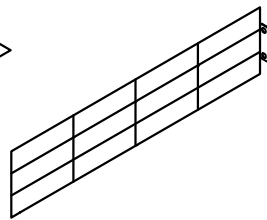
Note the **A** in the hardware blister pack

Part list



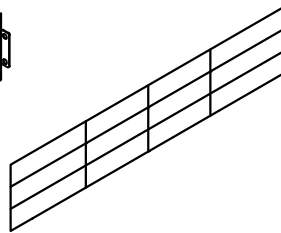
Drawer base

14 4PCS



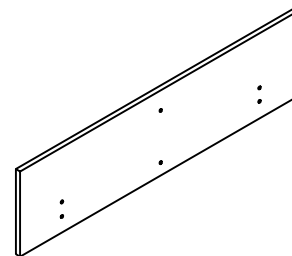
Drawer flank

15 8PCS



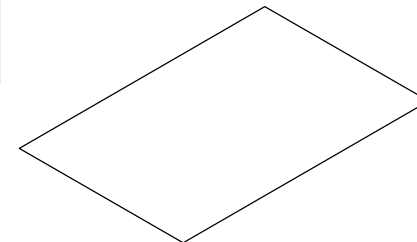
Drawer rear wall

16 4PCS



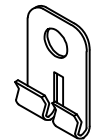
Drawer board

17 4PCS



plate

18 4PCS

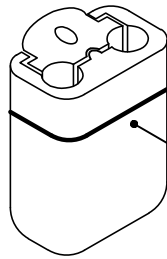
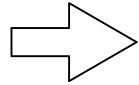
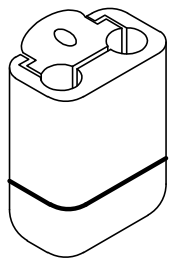


Iron buckle

19 5PCS

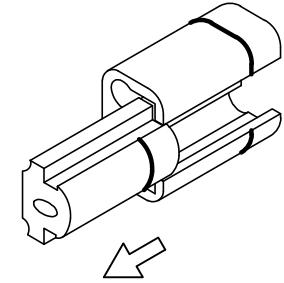
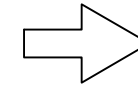
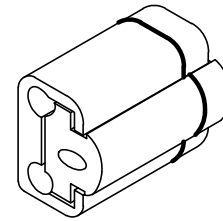
Drawer's Assembly Instruction

Black plastic buckle instructions for assembling drawer mesh

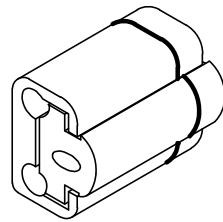
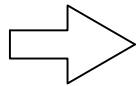
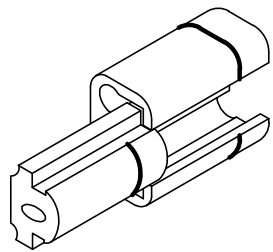


Remember this convex coil

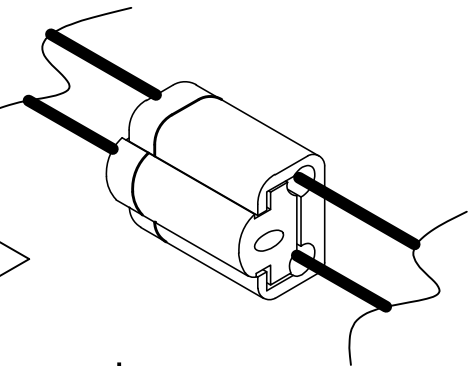
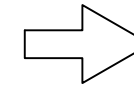
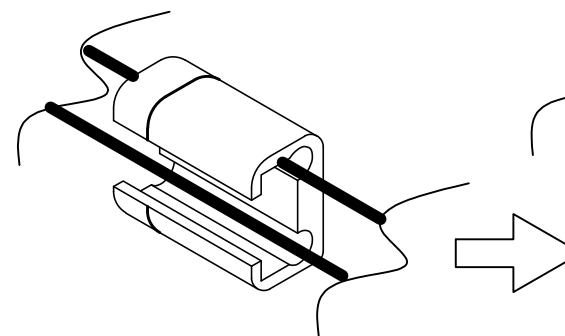
Reverse direction



You can pull the buckle out by following the direction indicated by the arrow



So This is the only direction that can be locked



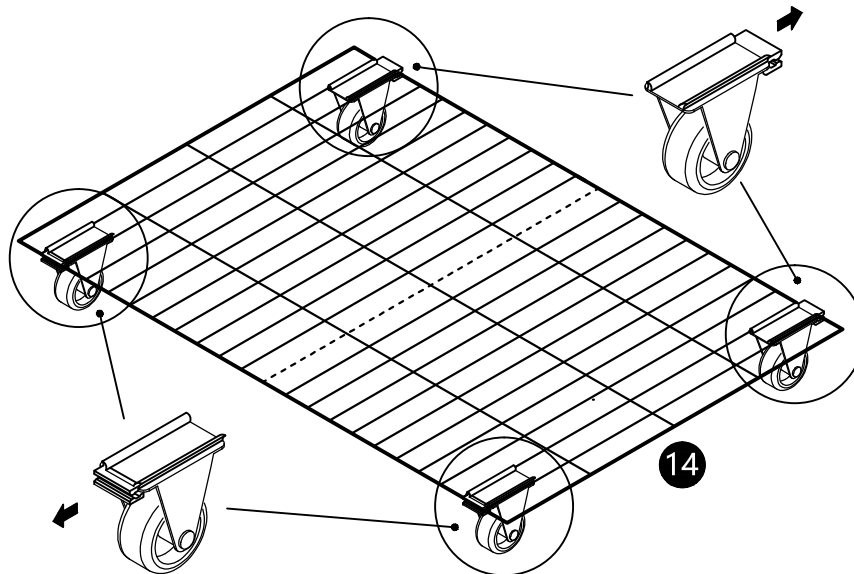
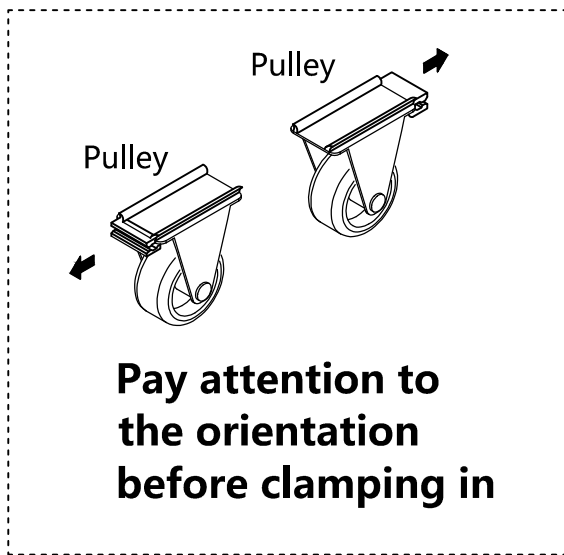
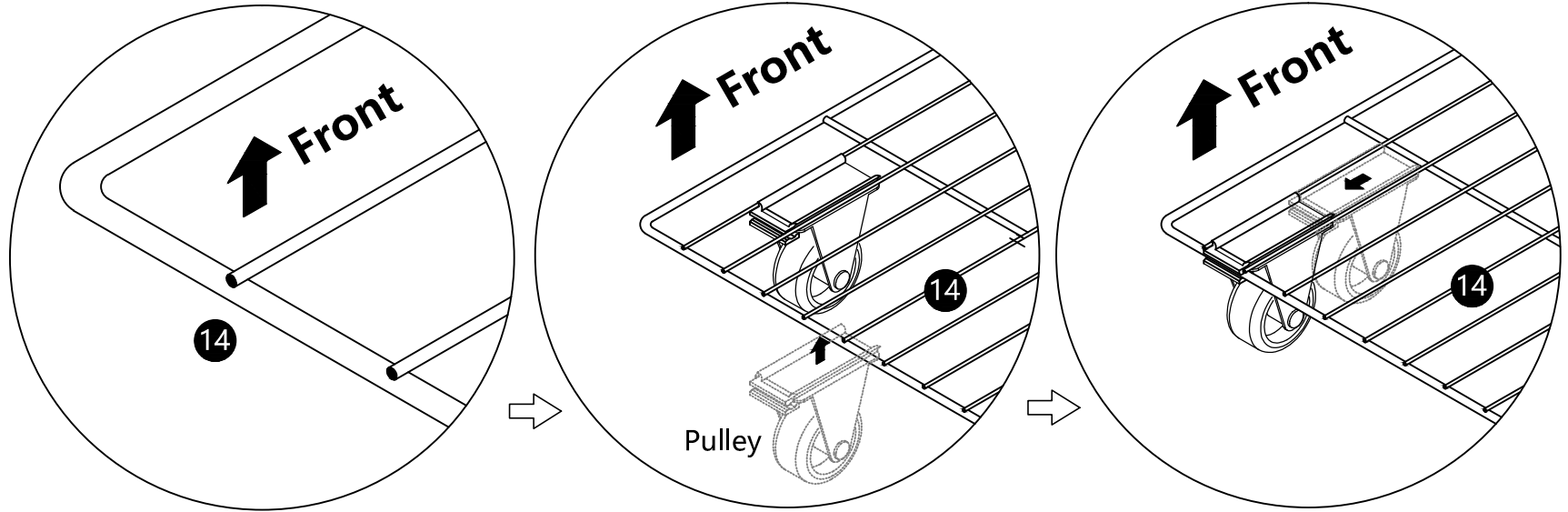
Place round iron tube as shown for better drawer assembly

Drawer Base's Assembly Instruction

As shown in the figure
Clip the pulley
into position first

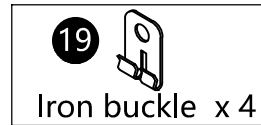
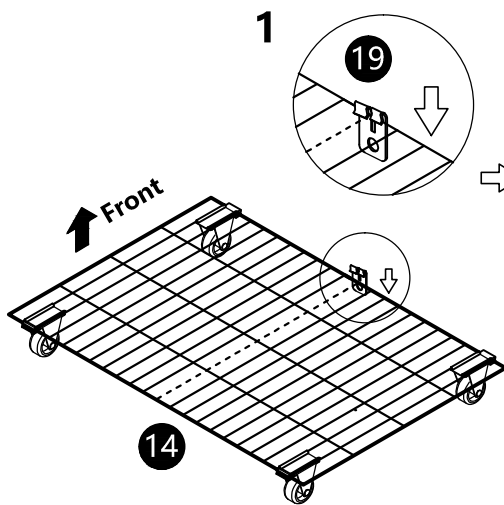
Then push the pulley to the side
At the same time, clamp the iron
wire at the edge
It takes a little strength

**Please note that
this drawer base
(14) has front
and back sides!
Please see the
instructions
clearly before
assembling!!!**



Drawer's Assembly Instruction

Step:1

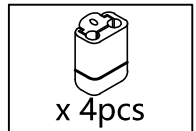
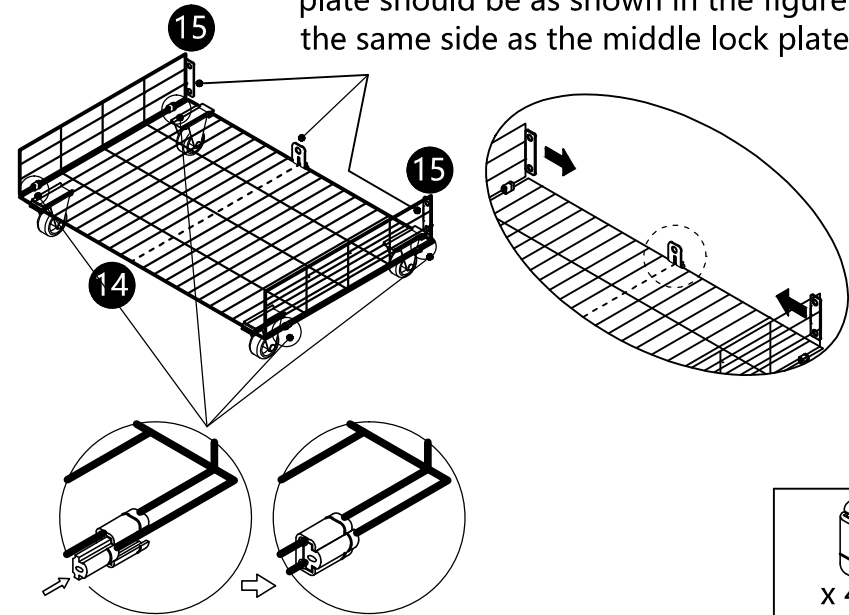


1: Buckle the accessories into the iron mesh as shown in the figure. The 11th one counted on the side is the middle.

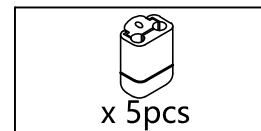
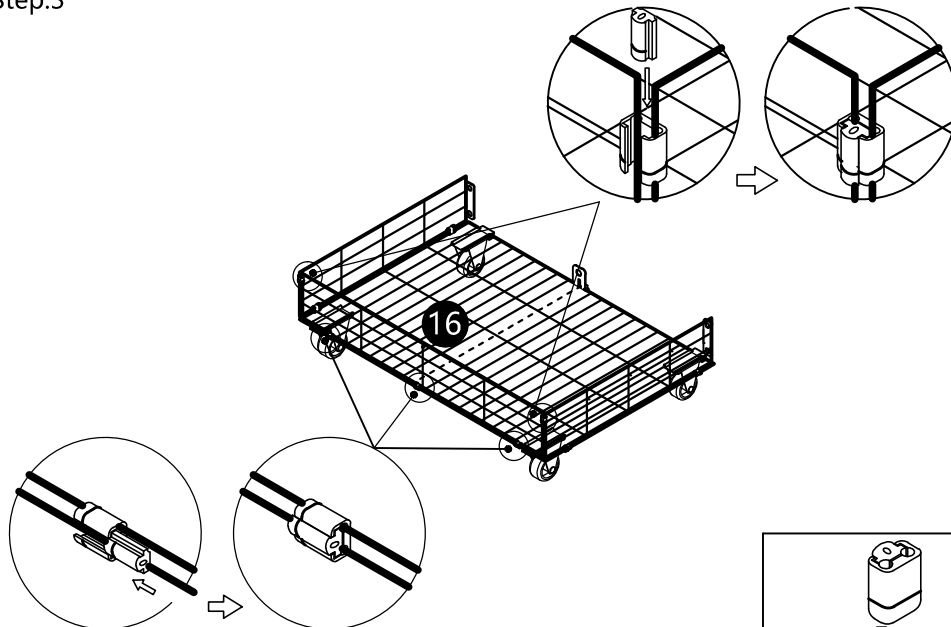
2: Buckle it and turn it over

Step:2

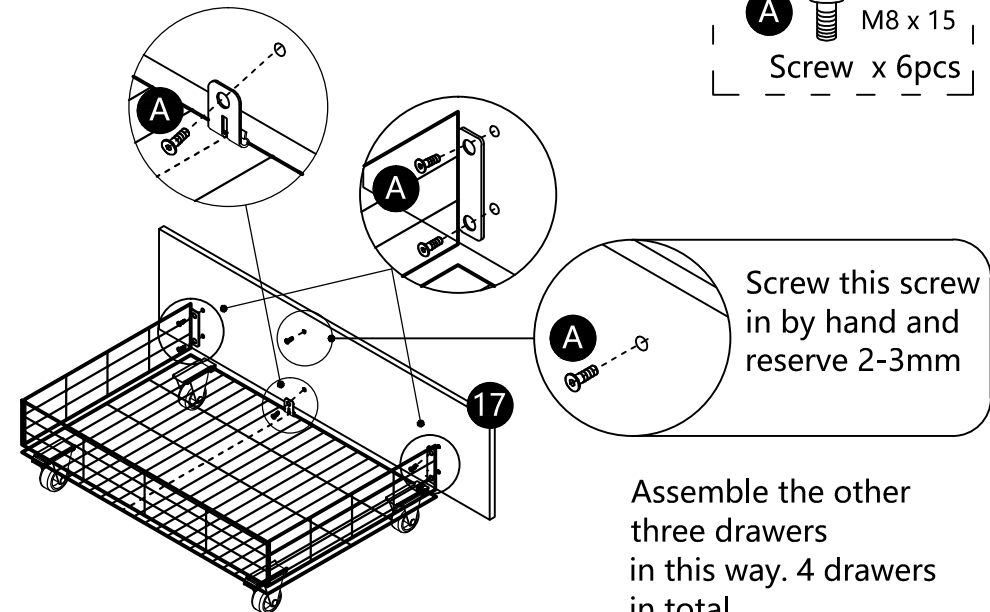
Please note that the direction of this lock plate should be as shown in the figure and the same side as the middle lock plate.



Step:3

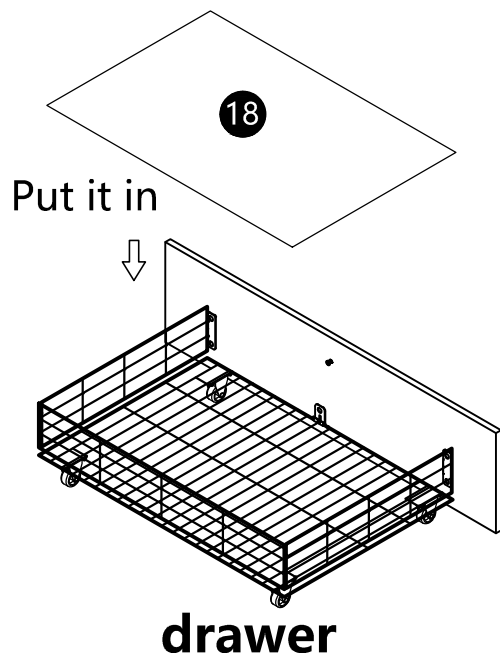


Step:4

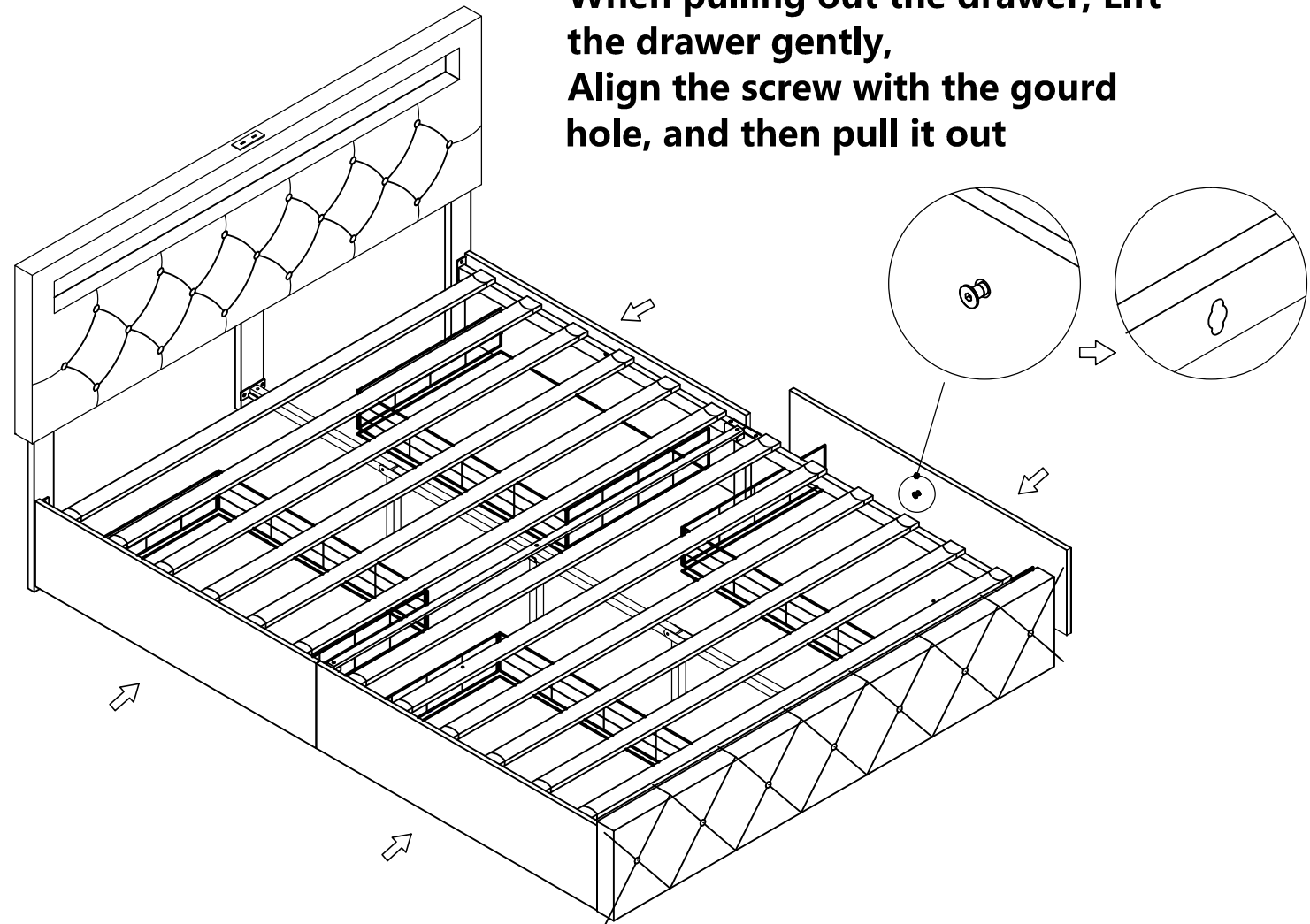


Assembly Instruction of bed

You must put the drawer pad
(18) in the drawer

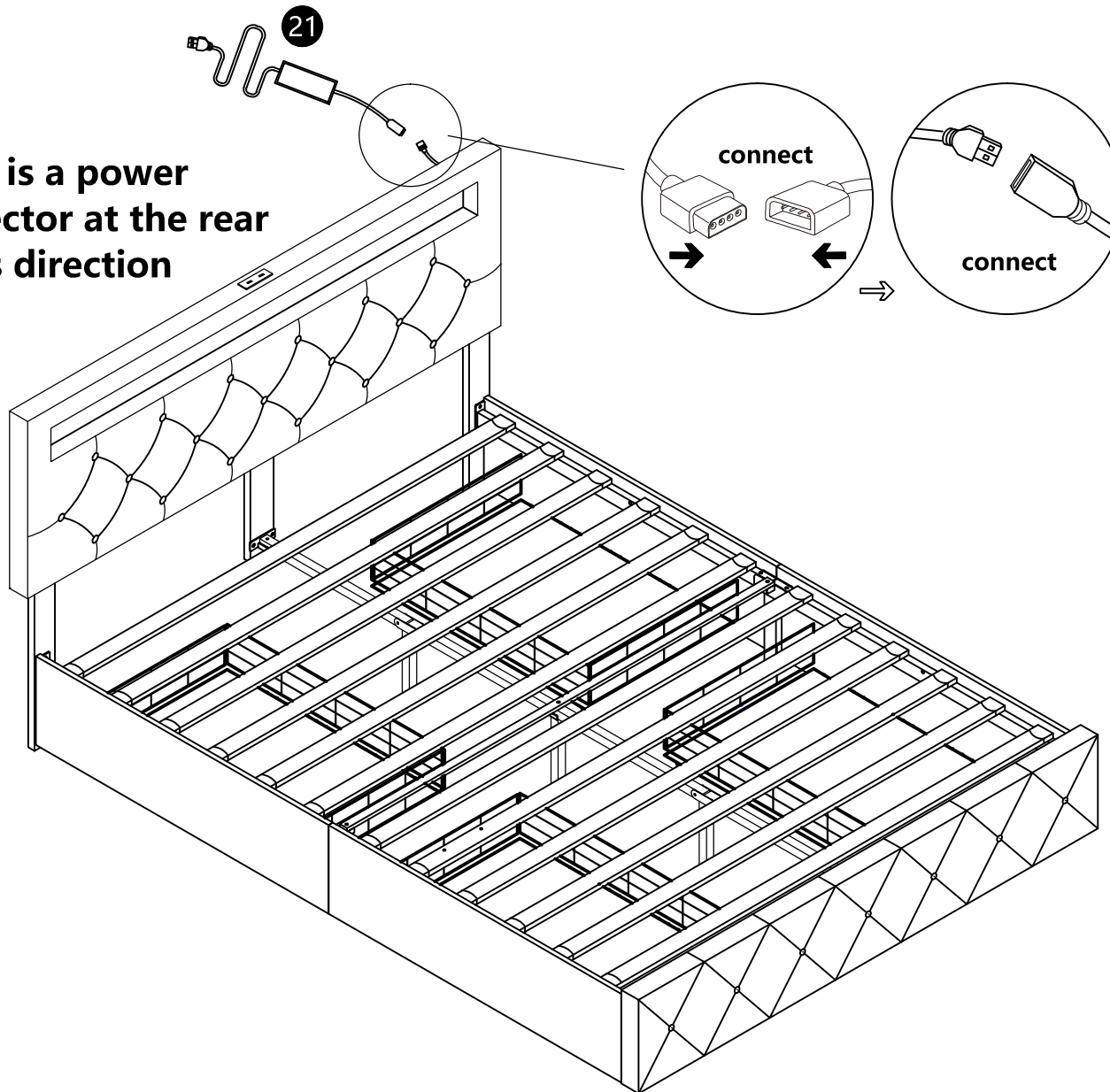


**When pushing into the drawer,
Lift the drawer gently,
Align the screw with the gourd
hole and push in
When pulling out the drawer, Lift
the drawer gently,
Align the screw with the gourd
hole, and then pull it out**

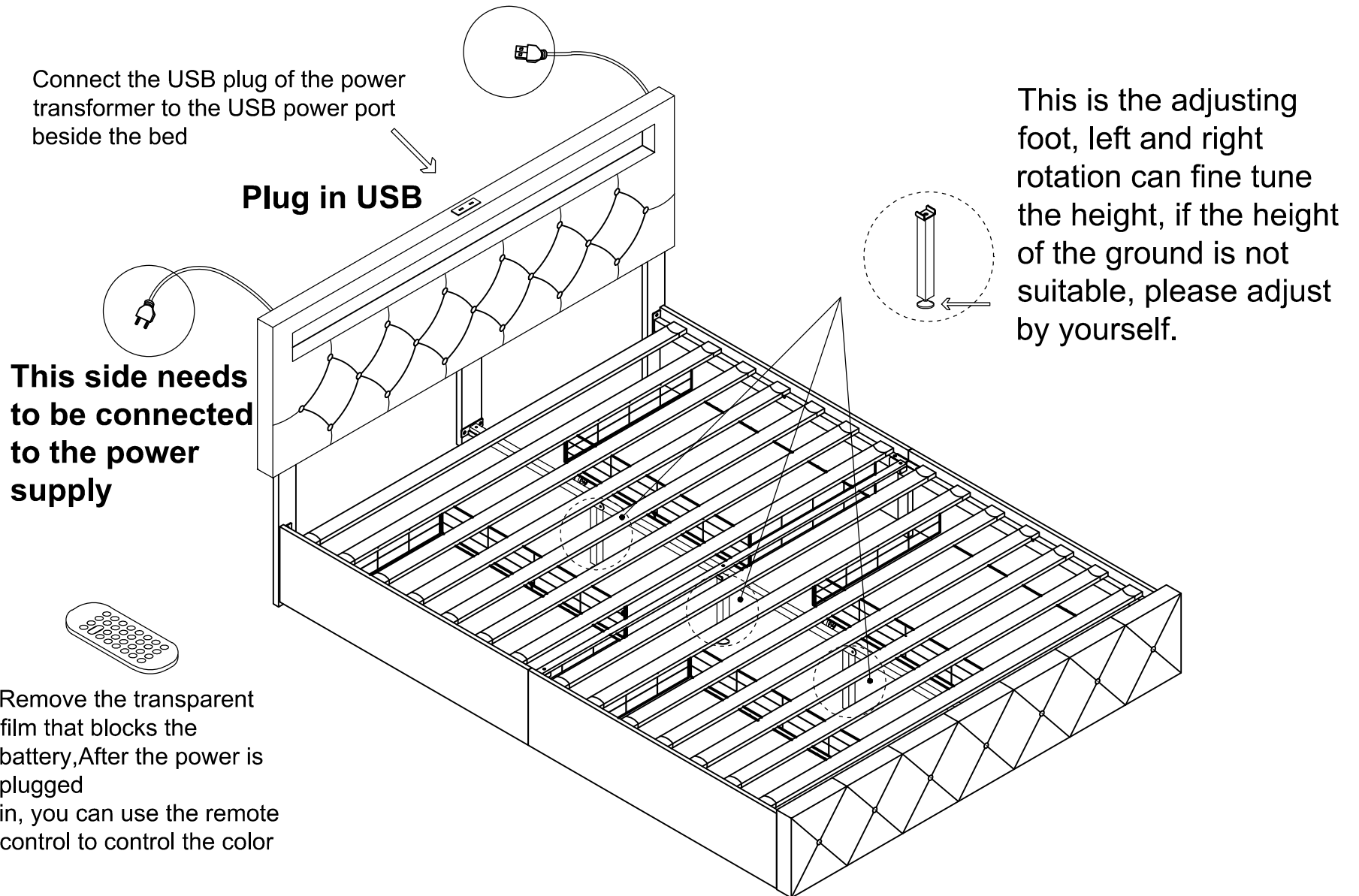


Assembly Instruction of LED light

There is a power connector at the rear in this direction



Assembly Instruction of LED light





WARNING

KEEP OUT OF REACH OF CHILDREN

Swallowing can lead to chemical burns, perforation of soft tissue, and death. Severe burns can occur within 2 hours of ingestion. Seek medical attention immediately.



Warning: Contains button or coin cell battery Hazardous if swallowed – see instructions