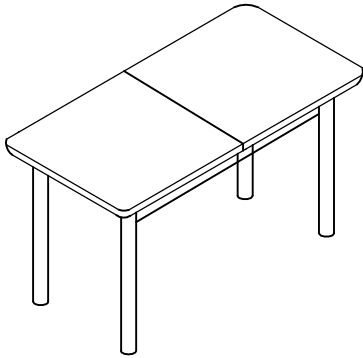




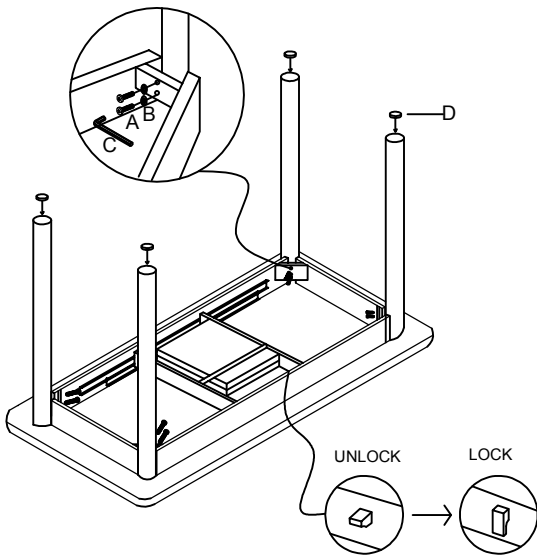


# ASSEMBLY INSTRUCTION

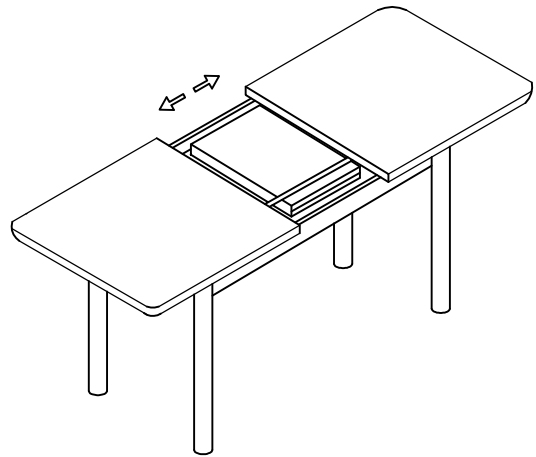


A		8
B		8
C		1
D		4

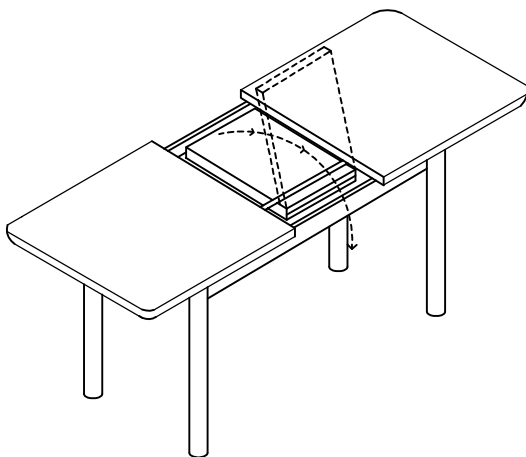
1



2



3



4

