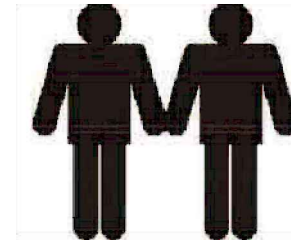
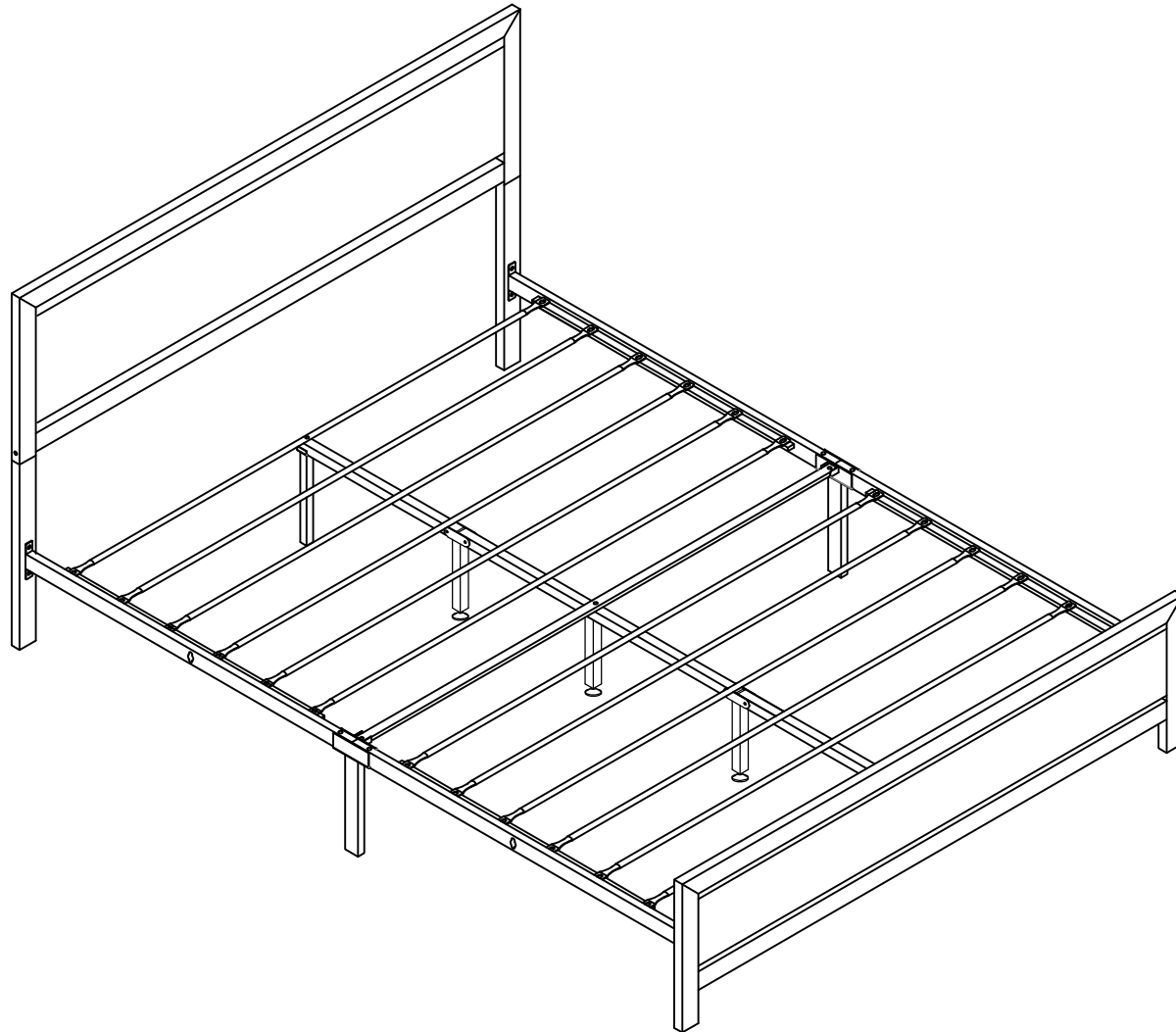


Assembly Instruction

Note:

- 1. Should be assembled on flat ground to keep balance.**
- 2. Before completing the installation, do not tighten the screws.**

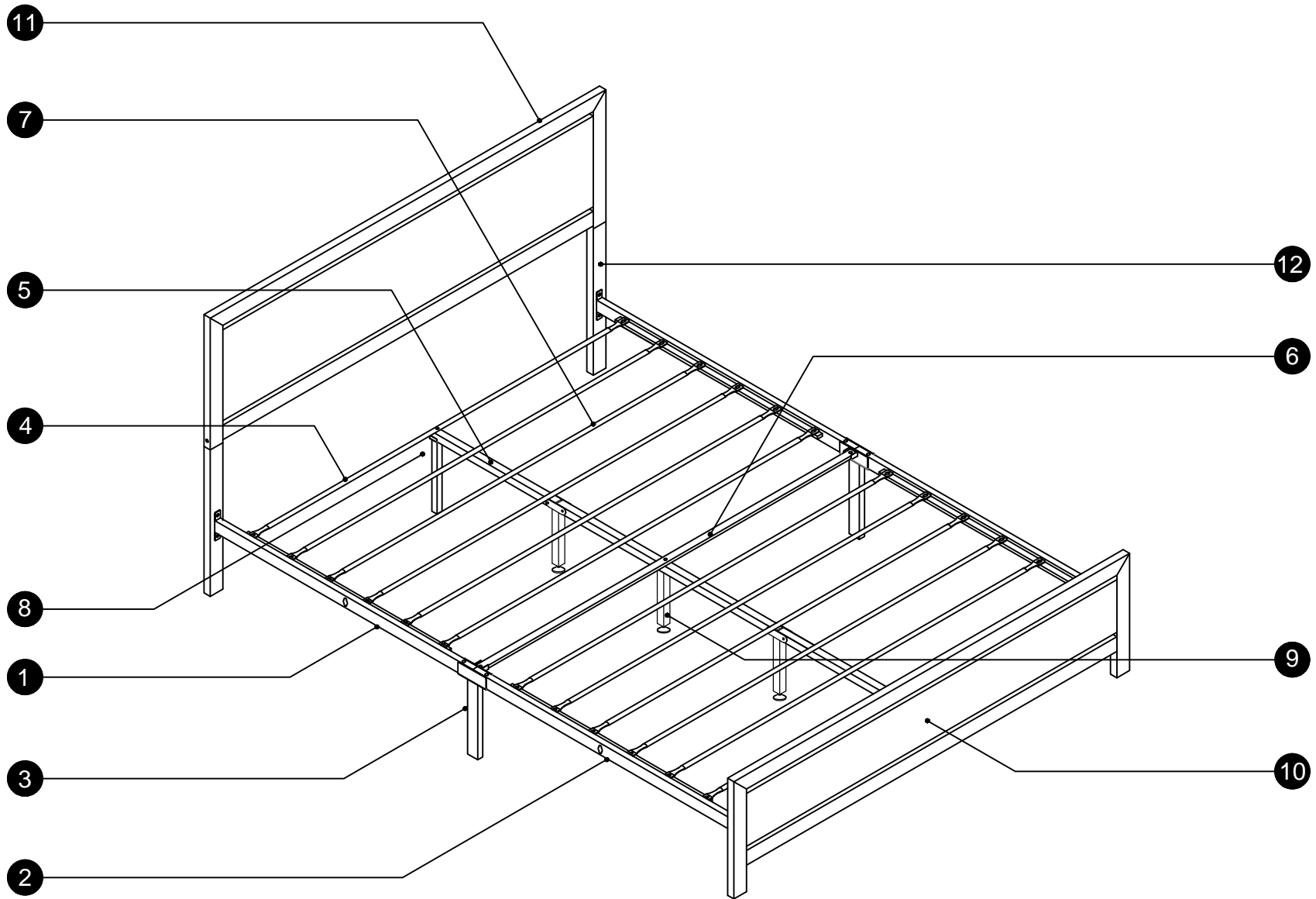


It needs at least two people to install.



Before starting the assembly, you must read the whole manual and follow the instructions

Assembly Instruction of **Bed**



Assembly Instruction of Bed

Hardware parts



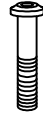
M6*15

A 24PCS



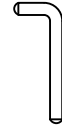
M8*20

C 16PCS



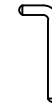
M8*55

D 7PCS



M8

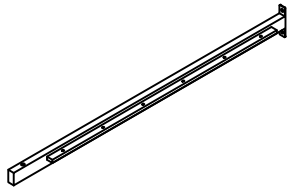
E 1PC



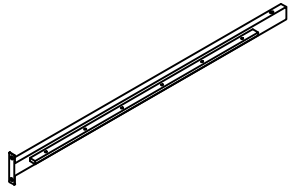
M6

F 1PC

Part list



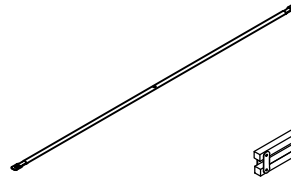
1 2PCS



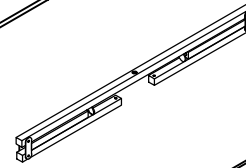
2 2PCS



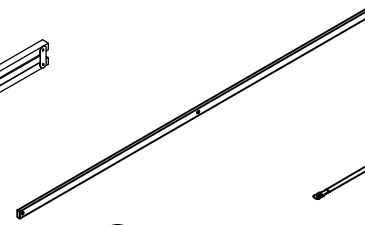
3 2PCS



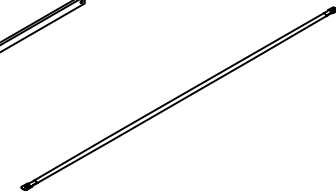
4 2PCS



5 1PC



6 1PC



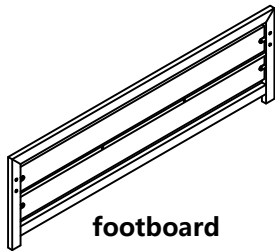
7 10 PCS



8 2PCS

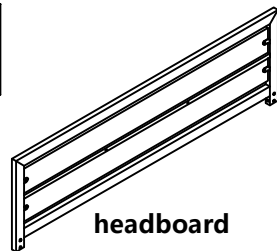


9 1PC



footboard

10 1PC



headboard

11 1PC



12 2PCS



Crash pads

20 2PCS



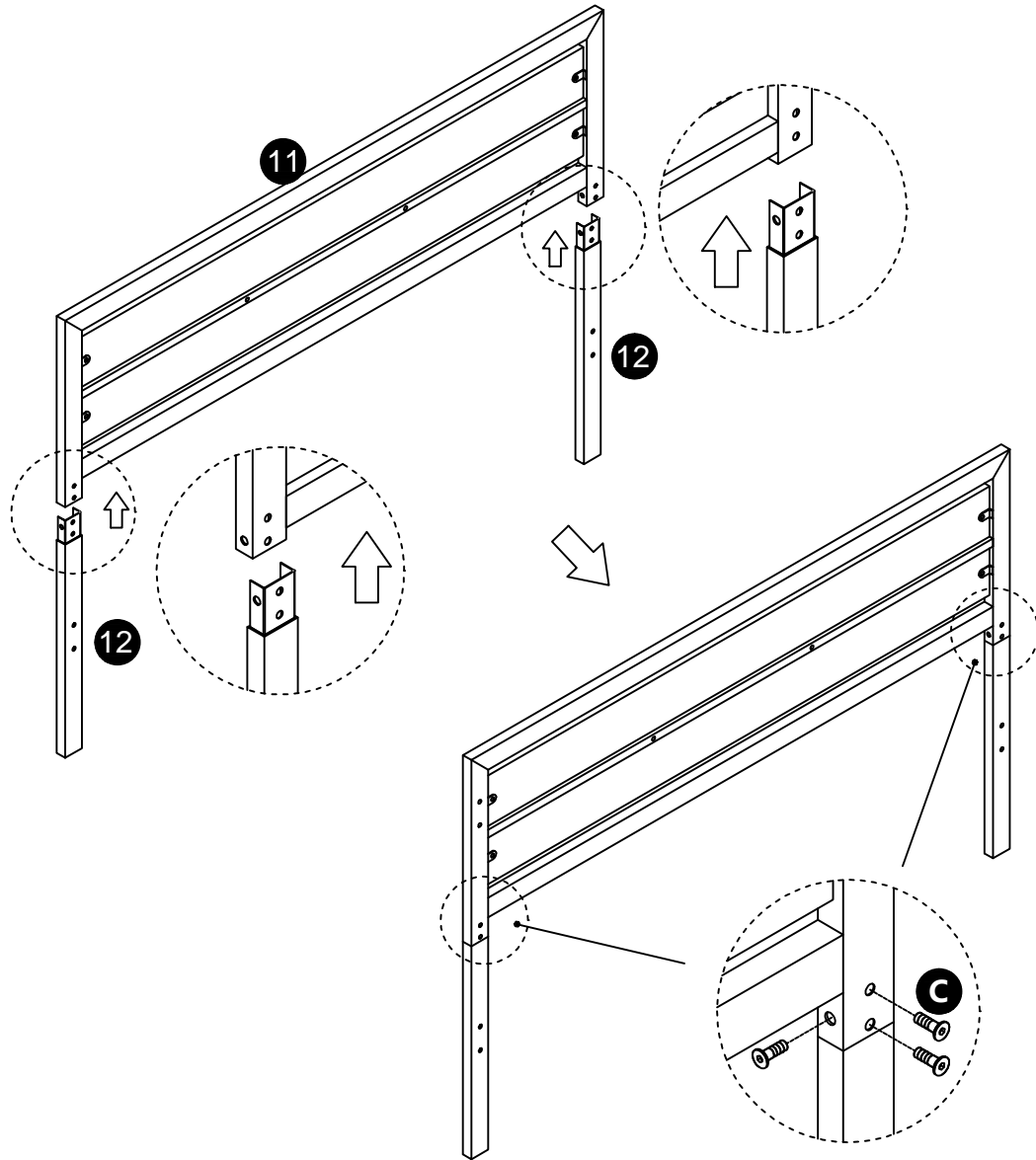
Black sticker

22 5PCS

Assembly Instruction of Bed

Step:1

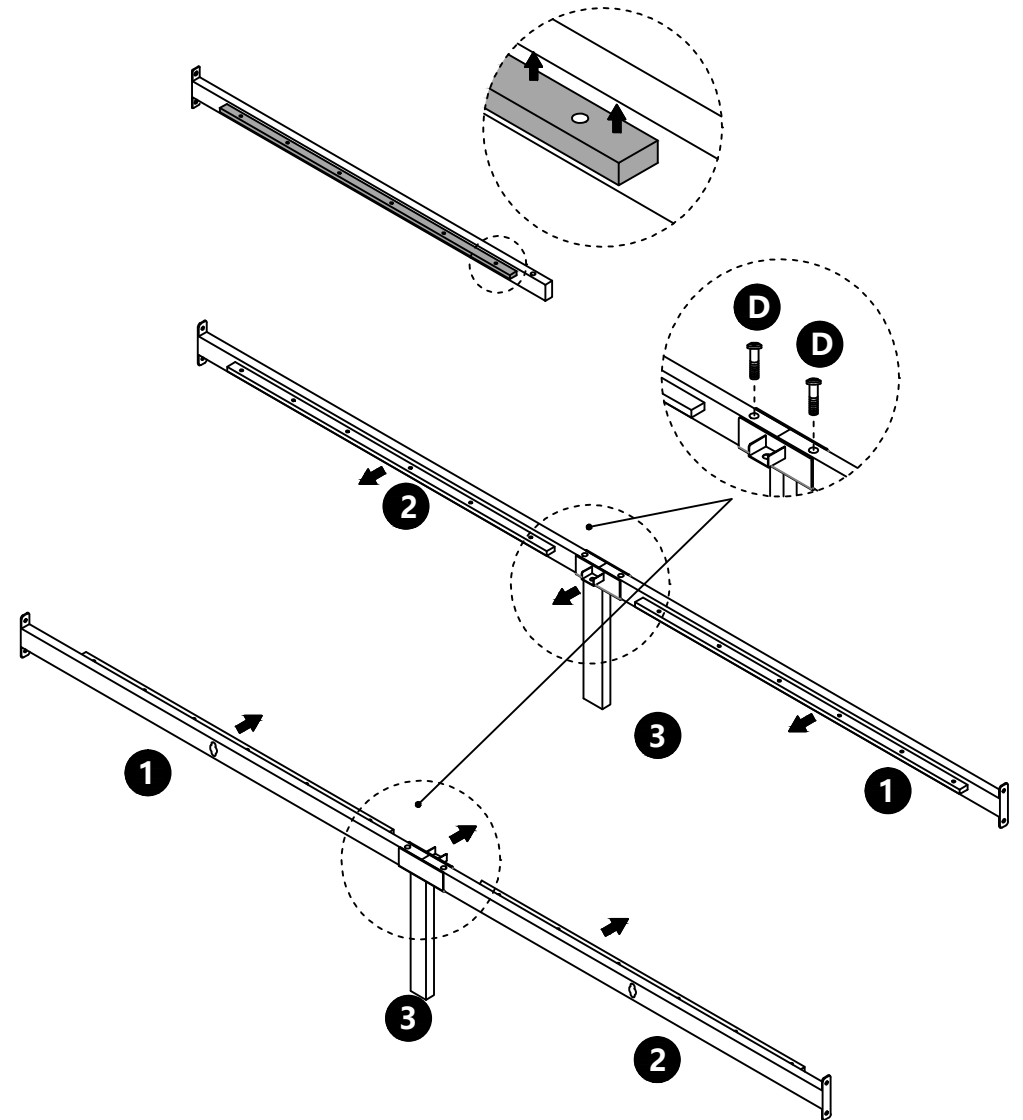
 **C** X6PCS
M8*20



Step:2

 **D** X4PCS
M8*55

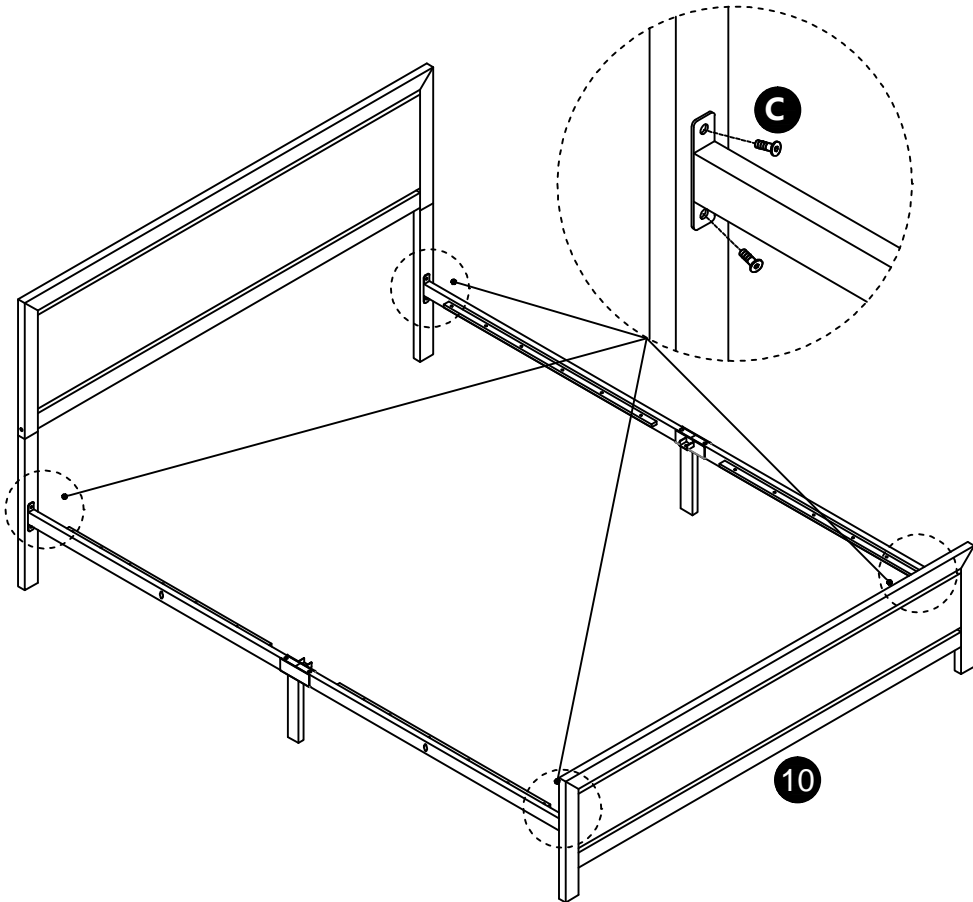
Please pay attention to the direction arrow in the illustration to avoid reverse installation



Assembly Instruction of Bed

Step:3

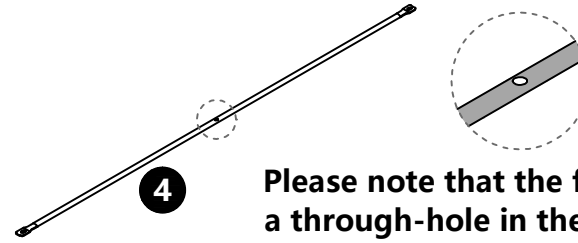
 M8*20 **C** X8PCS



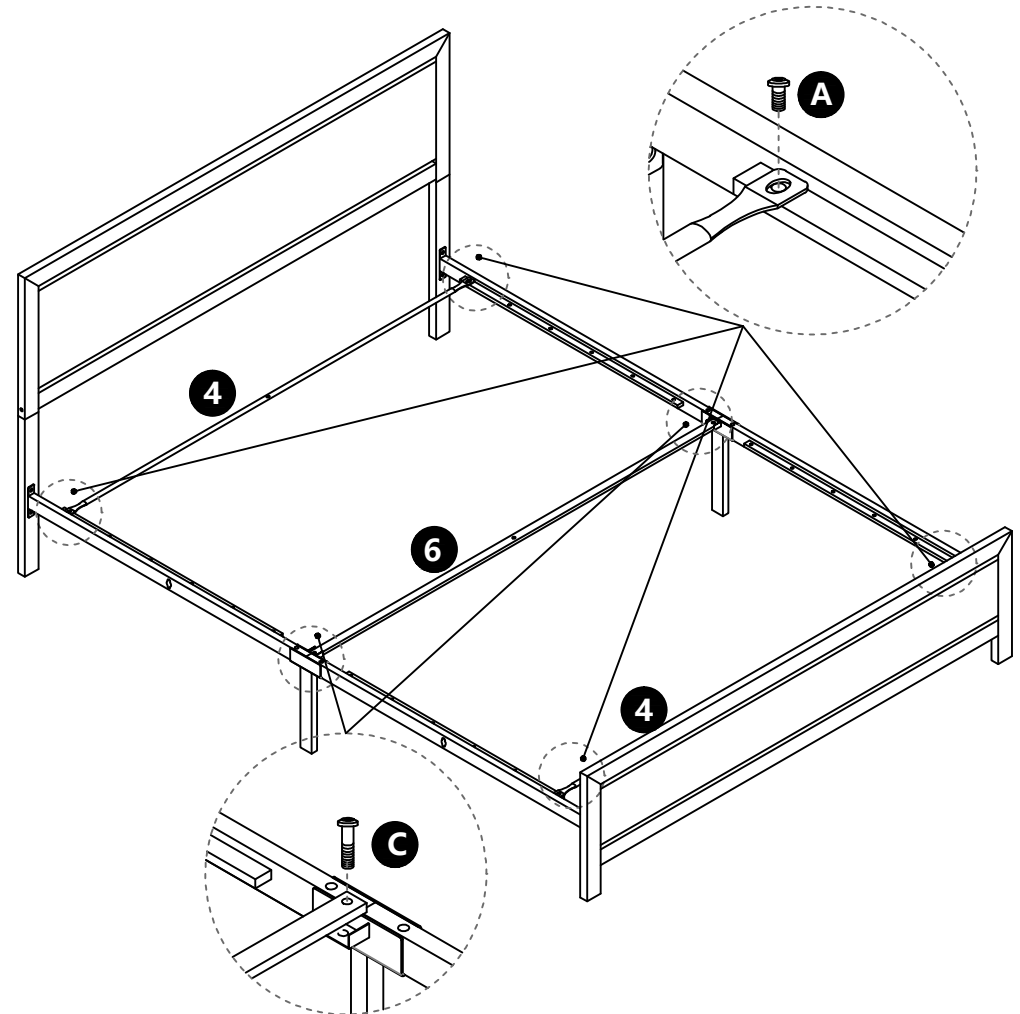
Step:4

 M6*15 **A** X 4PCS

 M8*20 **C** X2PCS



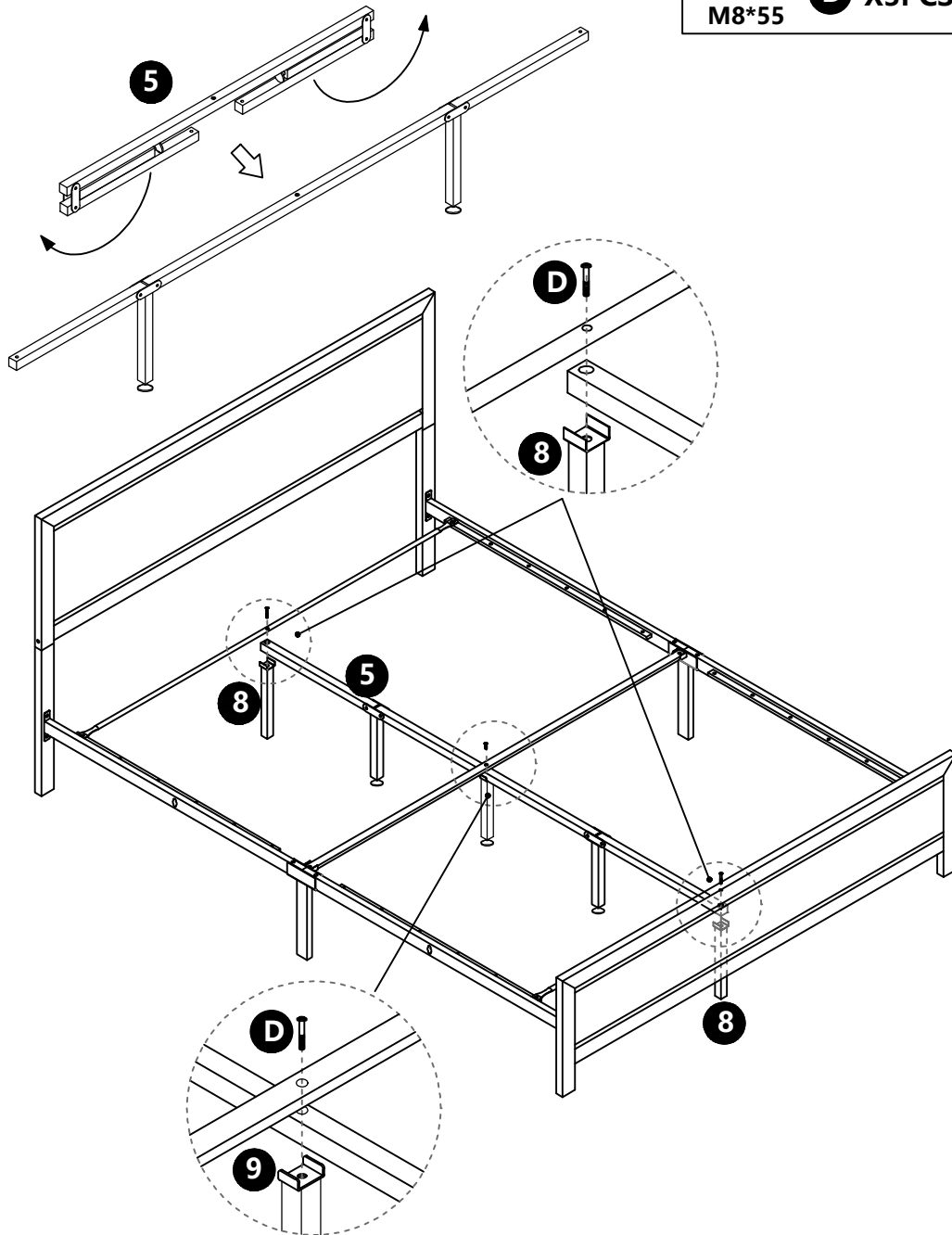
Please note that the fitting has a through-hole in the middle



Assembly Instruction of Bed

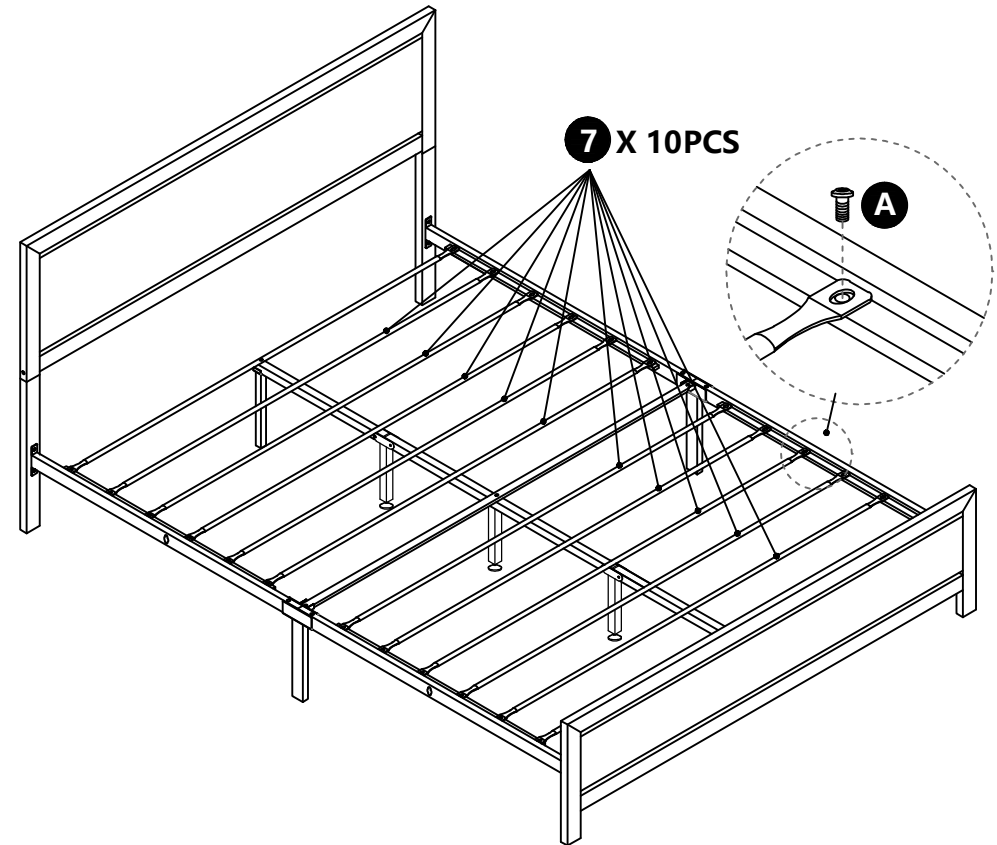
Step:5

 **D** X3PCS
M8*55



Step:6

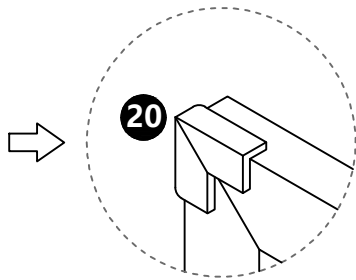
 **A** X20PCS
M6*15



Assembly Instruction

There is a small sealed bag in the package. There are two crash pads in the sealed bag. As shown in the following figure
Here is the 22 # sticker. If you cannot use the drawer, you can use 22 # sticker to stick the drawer hanging hole

There are 4 hanging holes on the side of the bed. If you don't need a drawer, you can stick it with No. 22 paper



Then tear off the surface anti sticking sheet and stick the anti-collision cushion on it

