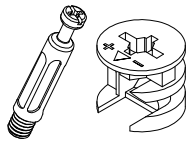
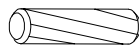


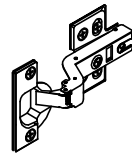
**A 36PCS**



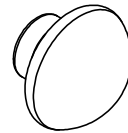
**B 18PCS**



**C 2PCS**



**D 1PCS**



**E 1PCS**



**F 4PCS**



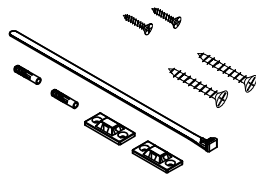
**G 4PCS**



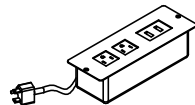
**H 4PCS**



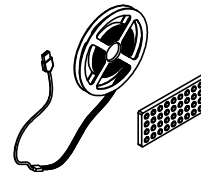
**I 1PCS**



**J 1PCS**



**K 1PCS**



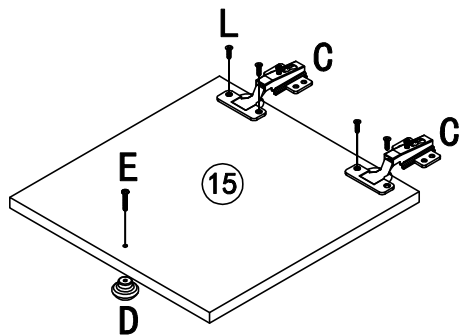
**L 18PCS**



**M 6PCS**

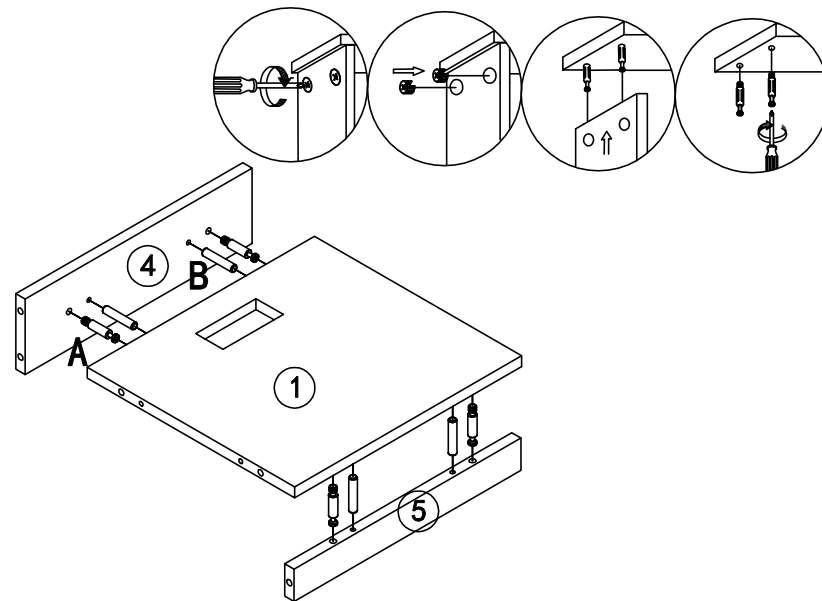


1



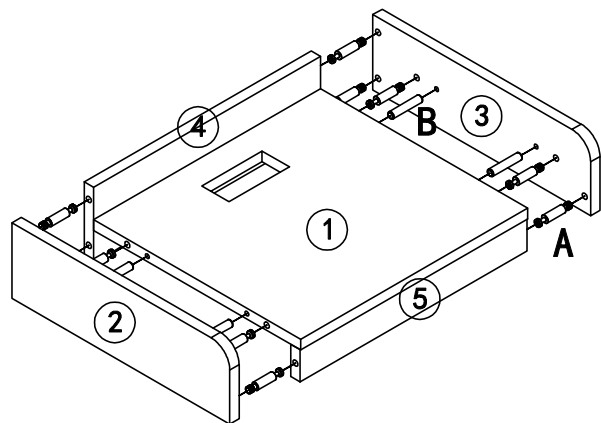
C\*2 D\*1 E\*1 L\*4

2



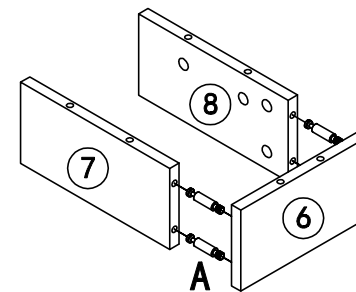
A\*4 B\*4

3



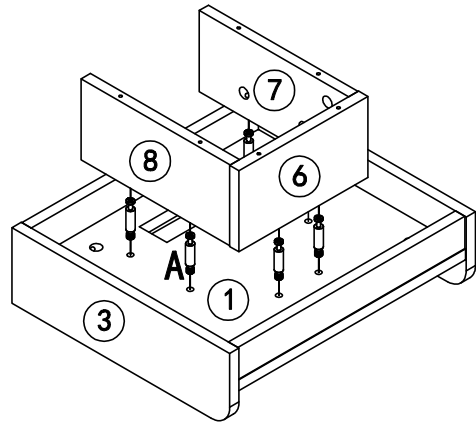
A\*10 B\*4

4



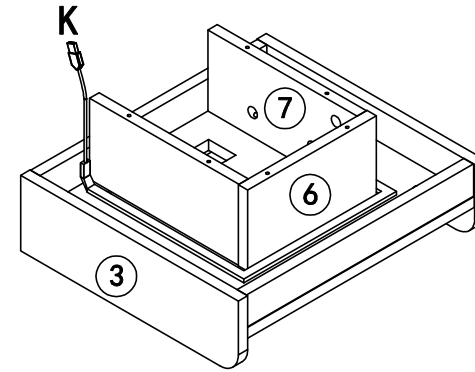
A\*4

5



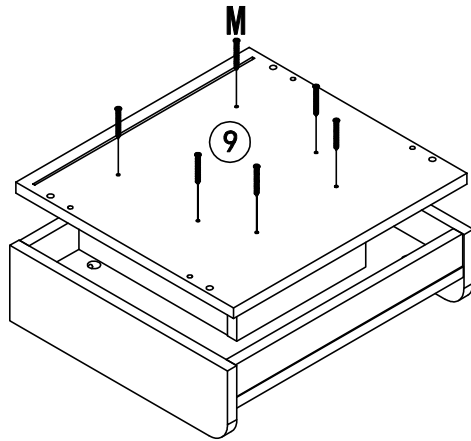
A\*6

6



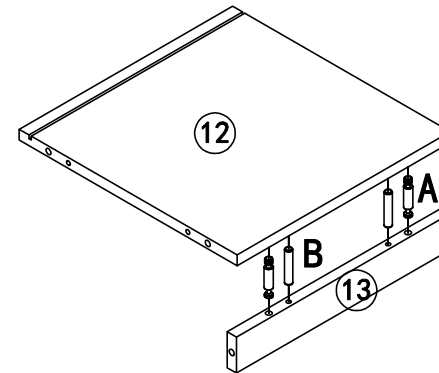
K\*1

7



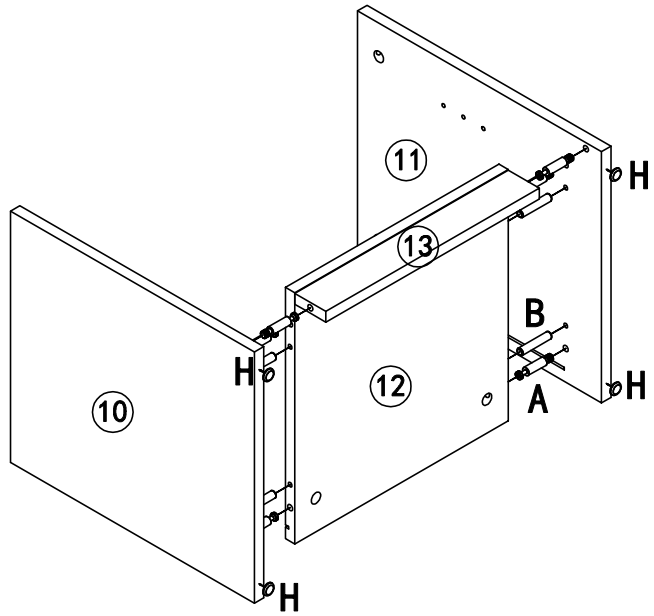
M\*6

8



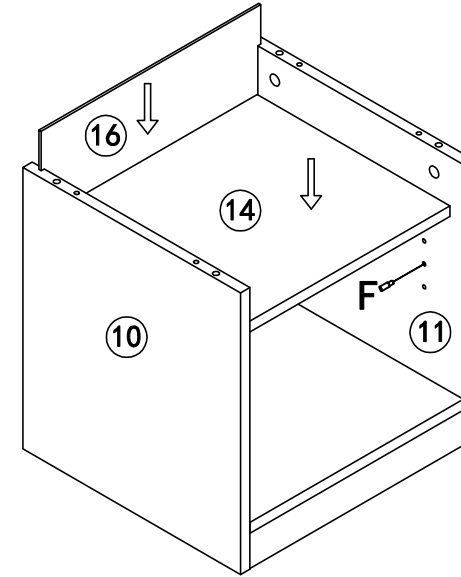
A\*2 B\*2

9



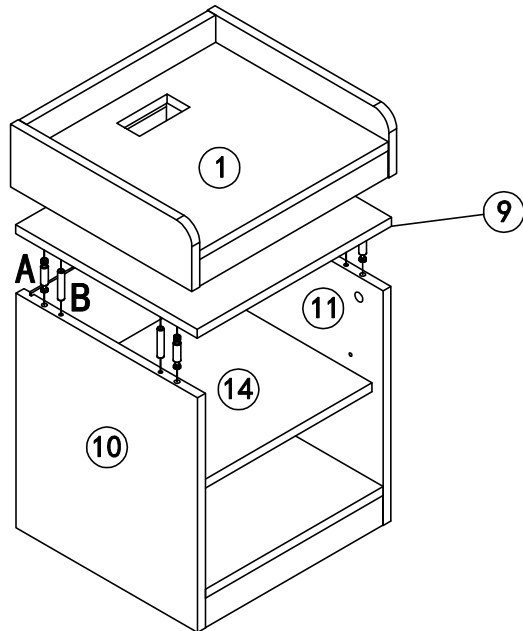
A\*6 B\*4 H\*4

10



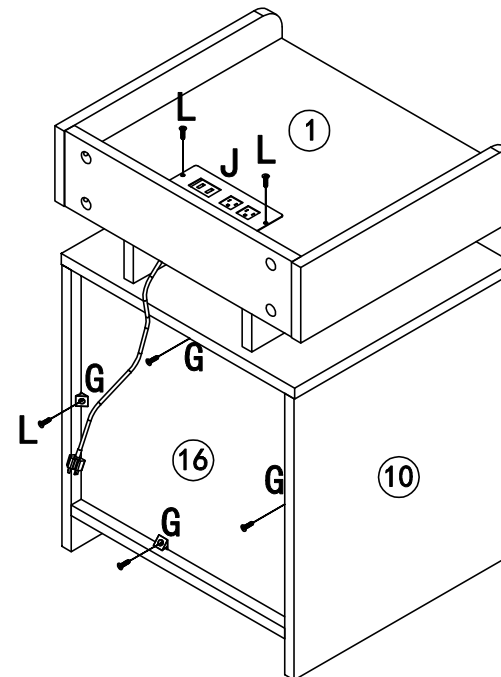
F\*4

11



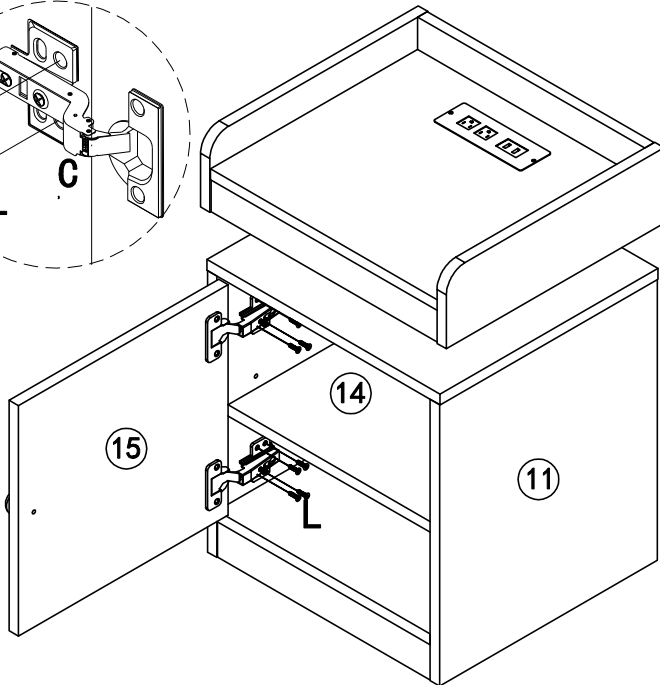
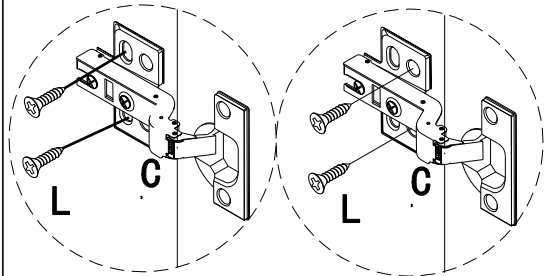
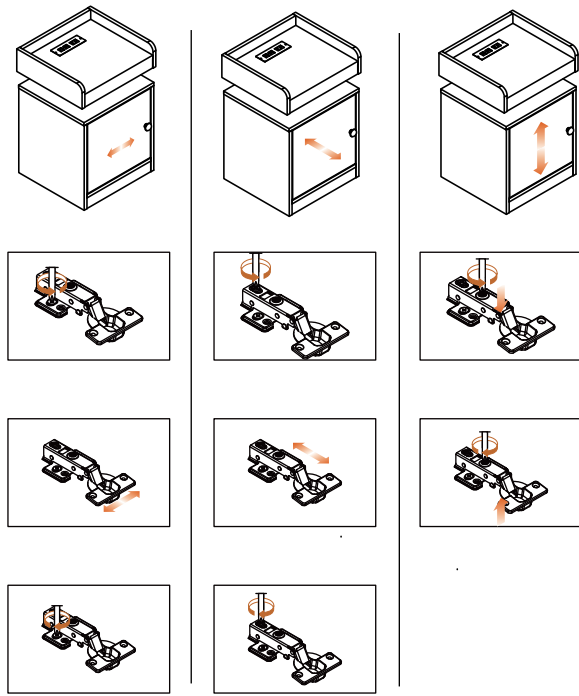
A\*4 B\*4

12



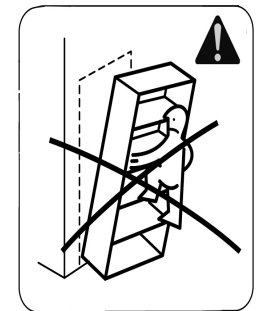
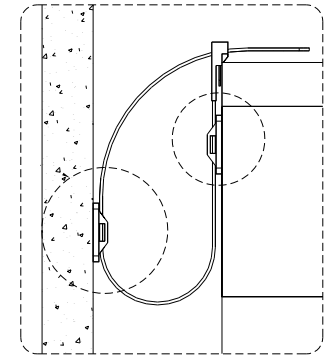
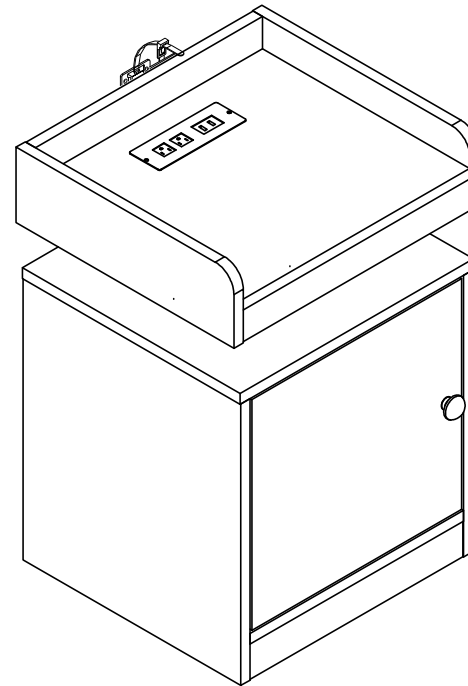
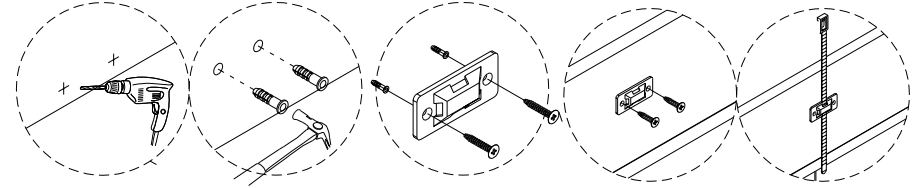
G\*4 J\*1 L\*6

# 13



L\*8

# 14



I\*1



## WARNING

### KEEP OUT OF REACH OF CHILDREN

Swallowing can lead to chemical burns, perforation of soft tissue, and death. Severe burns can occur within 2 hours of ingestion. Seek medical attention immediately.



**Warning:** Contains button or coin cell battery Hazardous if swallowed see instructions.



## **WARNING:**

**It is STRONGLY RECOMMENDED that you ANCHOR this product.**

Toppling furniture can cause serious injuries and death.

This product has /has not been fitted with an straps/bracket. To prevent your furniture from tipping forward it is strongly recommended that you securely attach this product to a wall or other solid surface, using the anchor straps/brackets and appropriate fixings.

## **IMPORTANT:**

**Regularly check** that anchors are securely maintained.

**Do not** allow children to climb or play on this furniture- it may topple over and badly injure a child.

**Do not** place toys or child-appealing items on top of this furniture.

Use safety **drawer locks** to prevent children climbing.

**Do not** place unanchored televisions on furniture.

Stability of tall items may be affected by thick pile carpet or uneven floors.

## **CAUTION:**

For your safety when attaching the anchor fixings, please note the following:

- Check for any electrical wires or plumbing inside the wall before drilling any holes (if you are unsure, please seek professional advice from a qualified tradesperson)
- Walls are constructed from different materials, for example, masonry (solid brick) or plasterboard lined cavity walls (hollow). It is important that you use the appropriate wall fixings for your wall type.
- Your local hardware store will have the necessary drills and fixings and can offer advice if needed. If in doubt, engage the services of a qualified tradesperson to install and anchor the product.