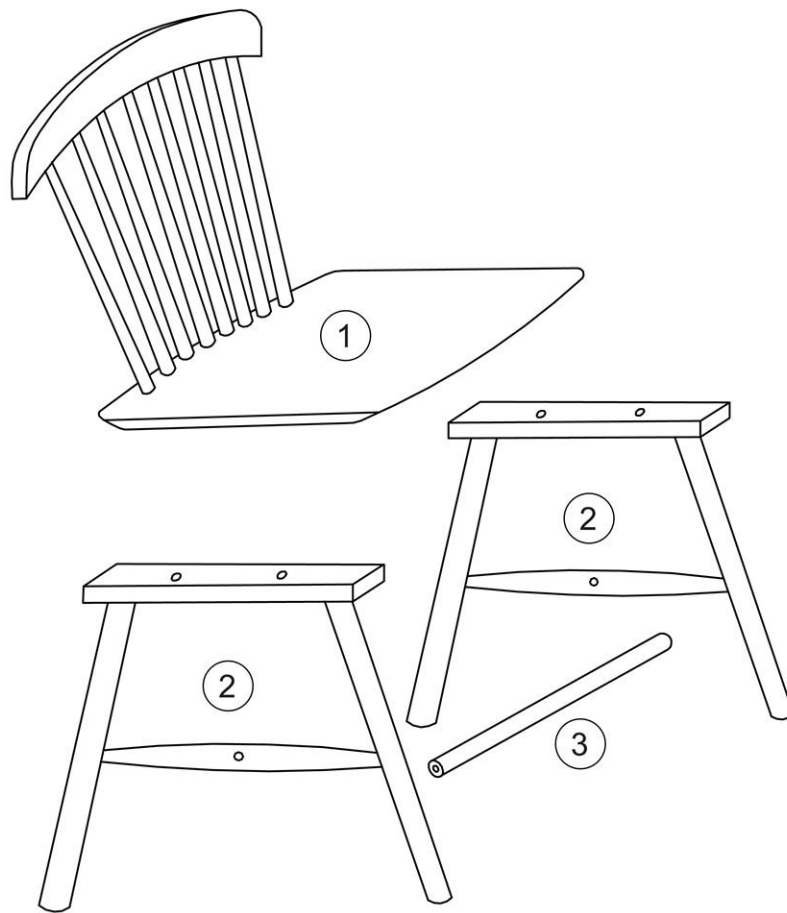
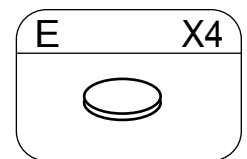
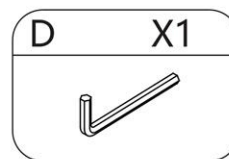
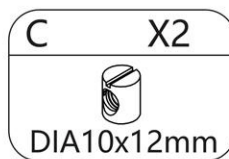
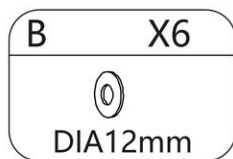
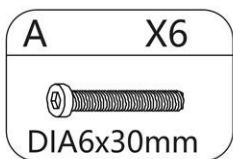


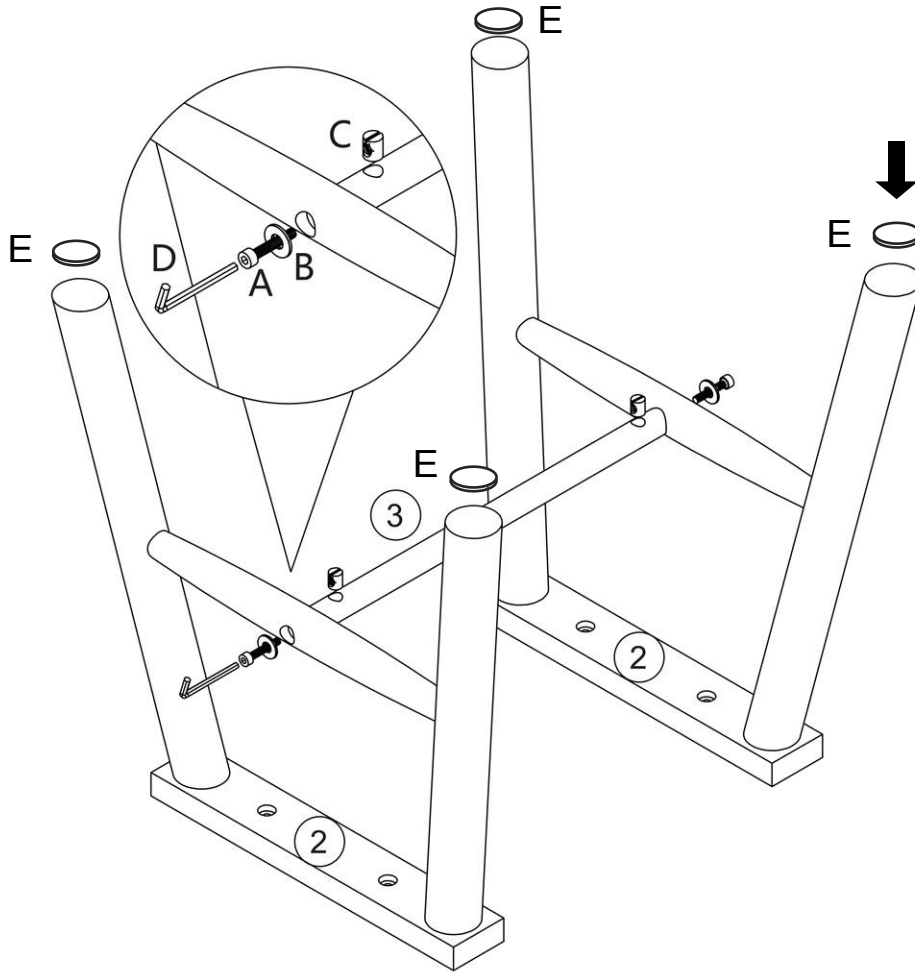
## PART LIST








## HARDWARE LIST

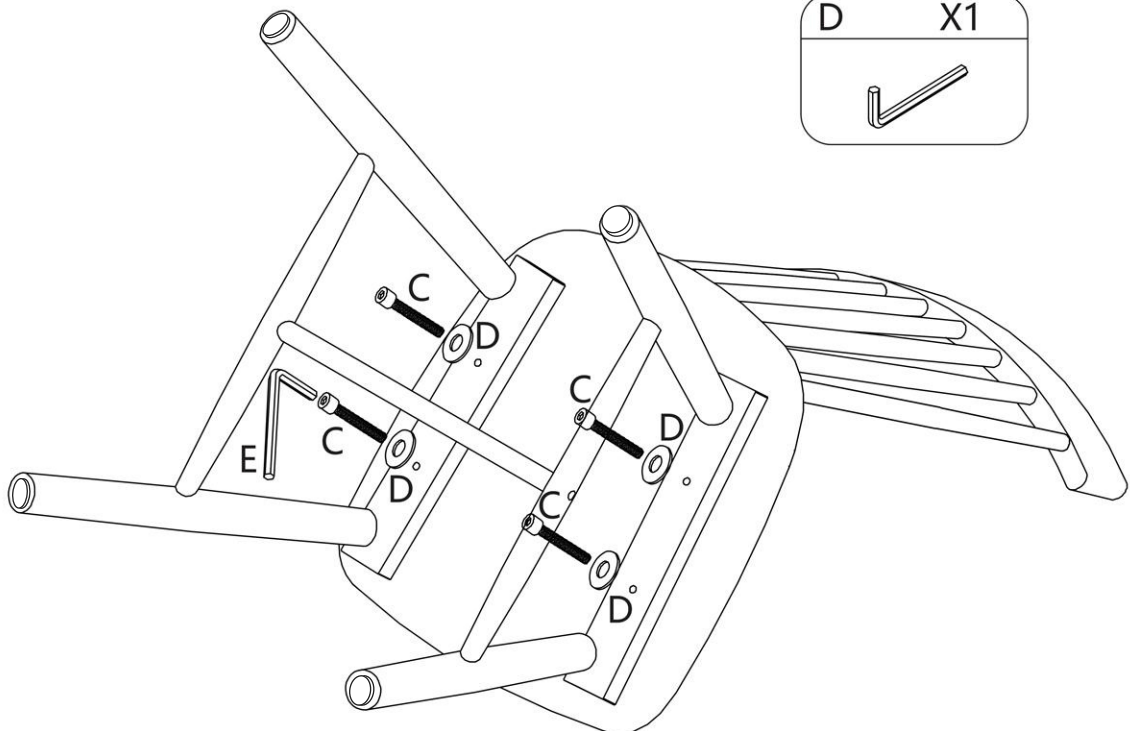




STEP 1



A	X2
	
DIA6x30mm	
B	X2
	
DIA12mm	
C	X2
	
DIA10x12mm	
D	X1
	
E	X4
	

STEP 2



A	X4	B	X4
			
DIA6x30mm		DIA12mm	
D	X1		
