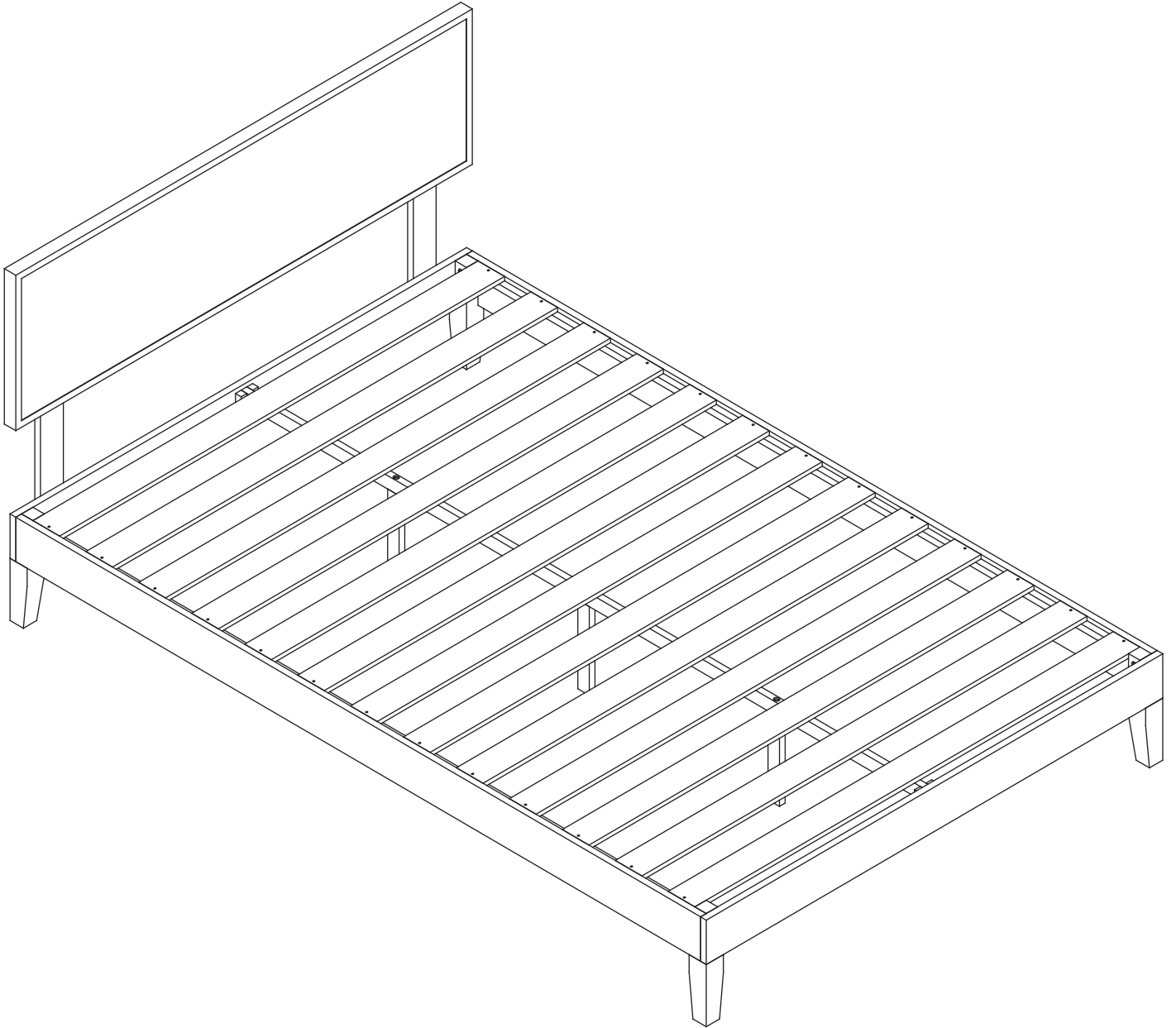
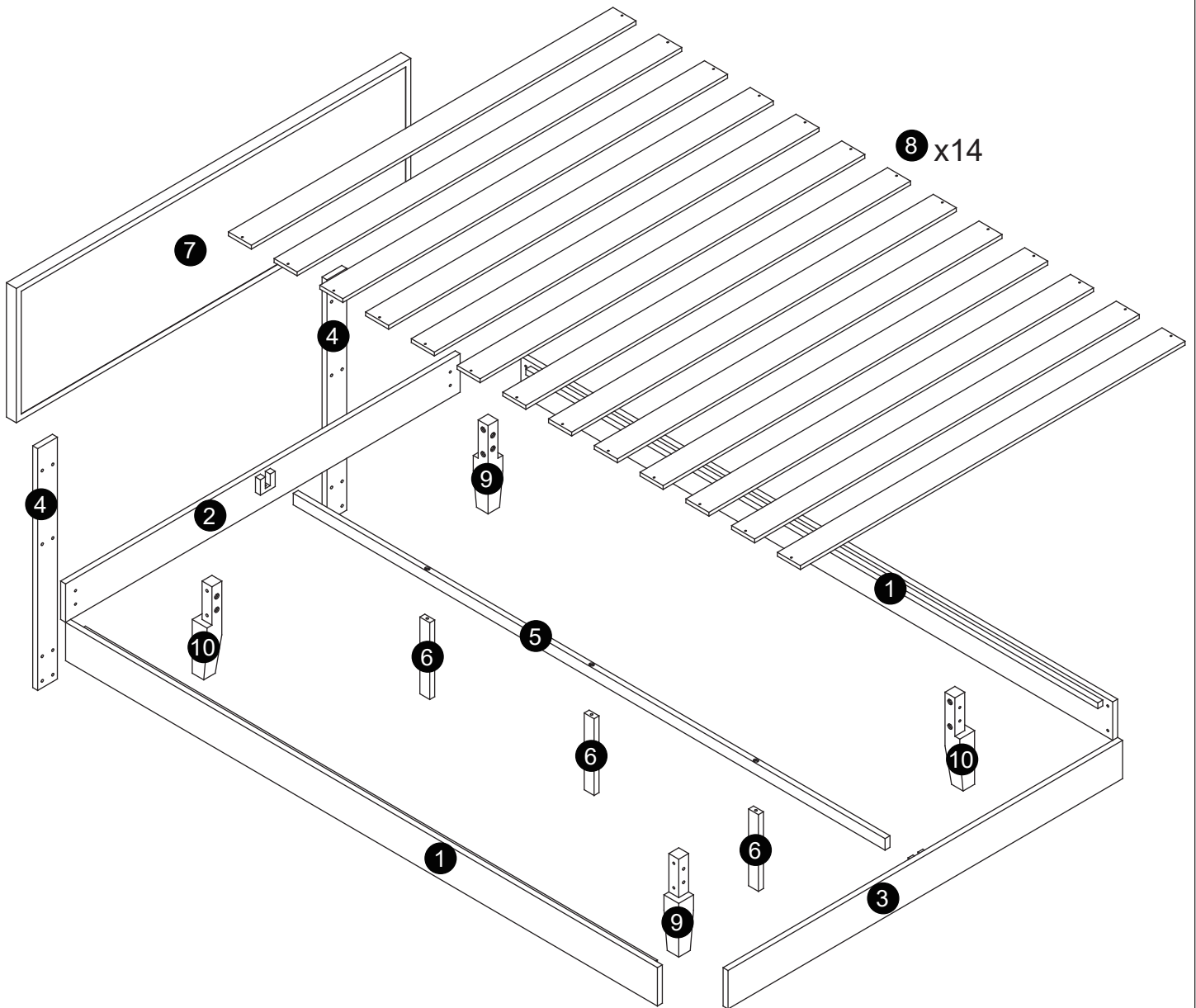


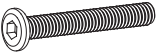

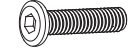
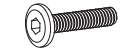





ASSEMBLY INSTRUCTION



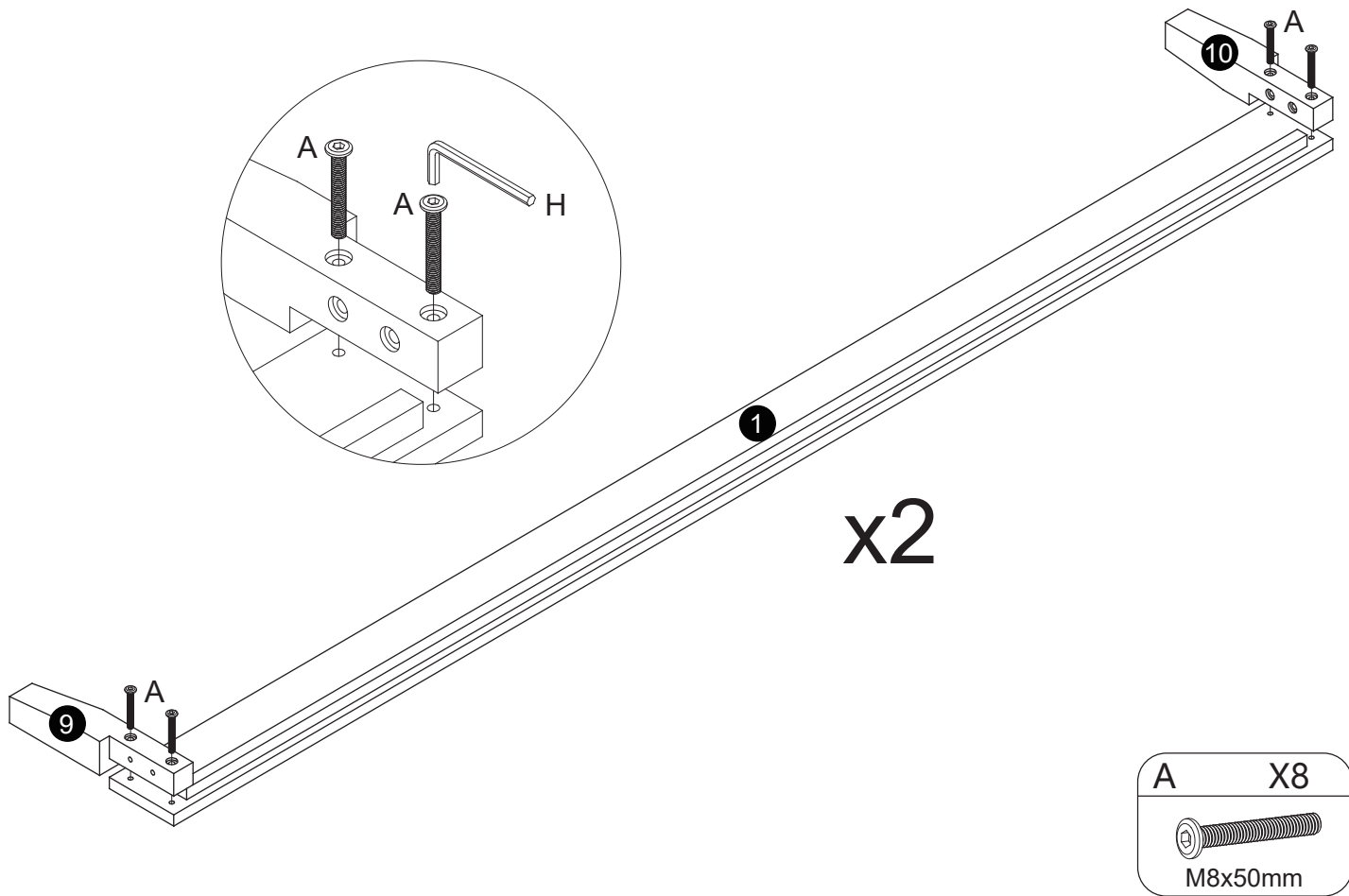
PART LIST



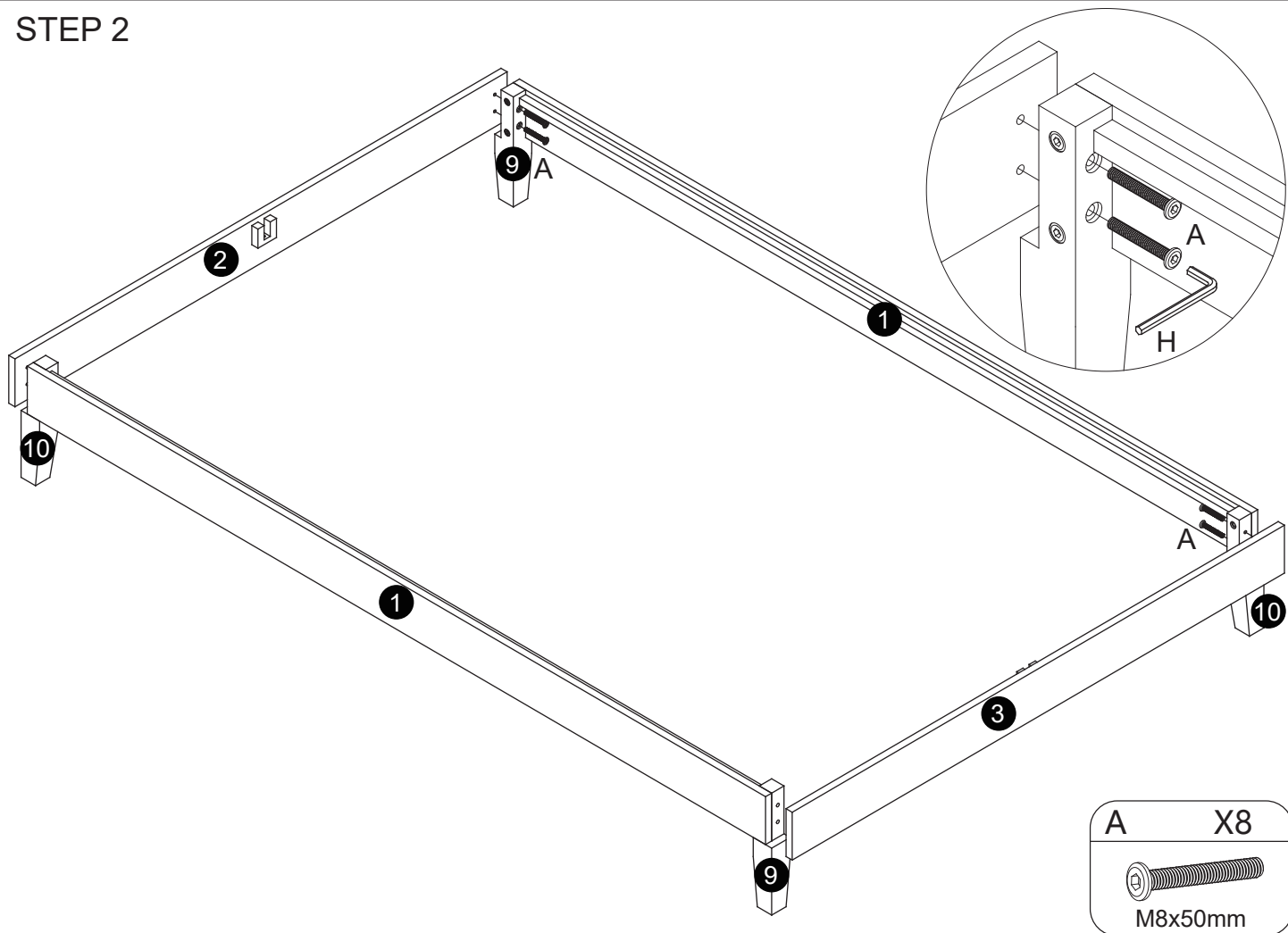
HARDWARE LIST

<p>A X16</p>  <p>M8x50mm</p>	<p>B X3</p>  <p>M8x40mm</p>	<p>C X8</p>  <p>M8x30mm</p>	<p>D X8</p>  <p>M6x25mm</p>	<p>E X2</p>  <p>M4x30mm</p>
<p>F X26</p>  <p>M4x25mm</p>	<p>G X1</p>  <p>4mm</p>	<p>H X1</p>  <p>5mm</p>	<p>I X1</p> 	

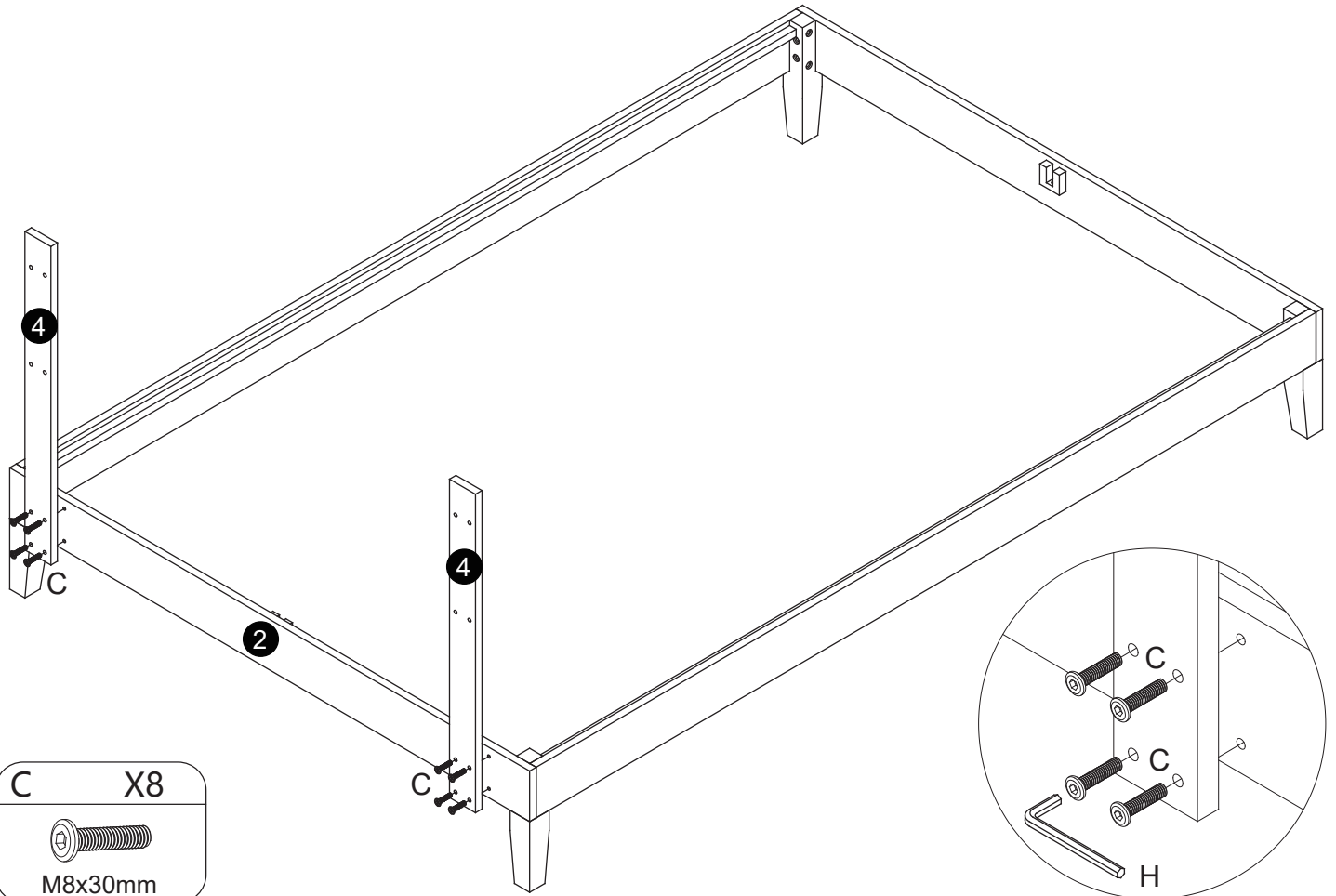
STEP 1



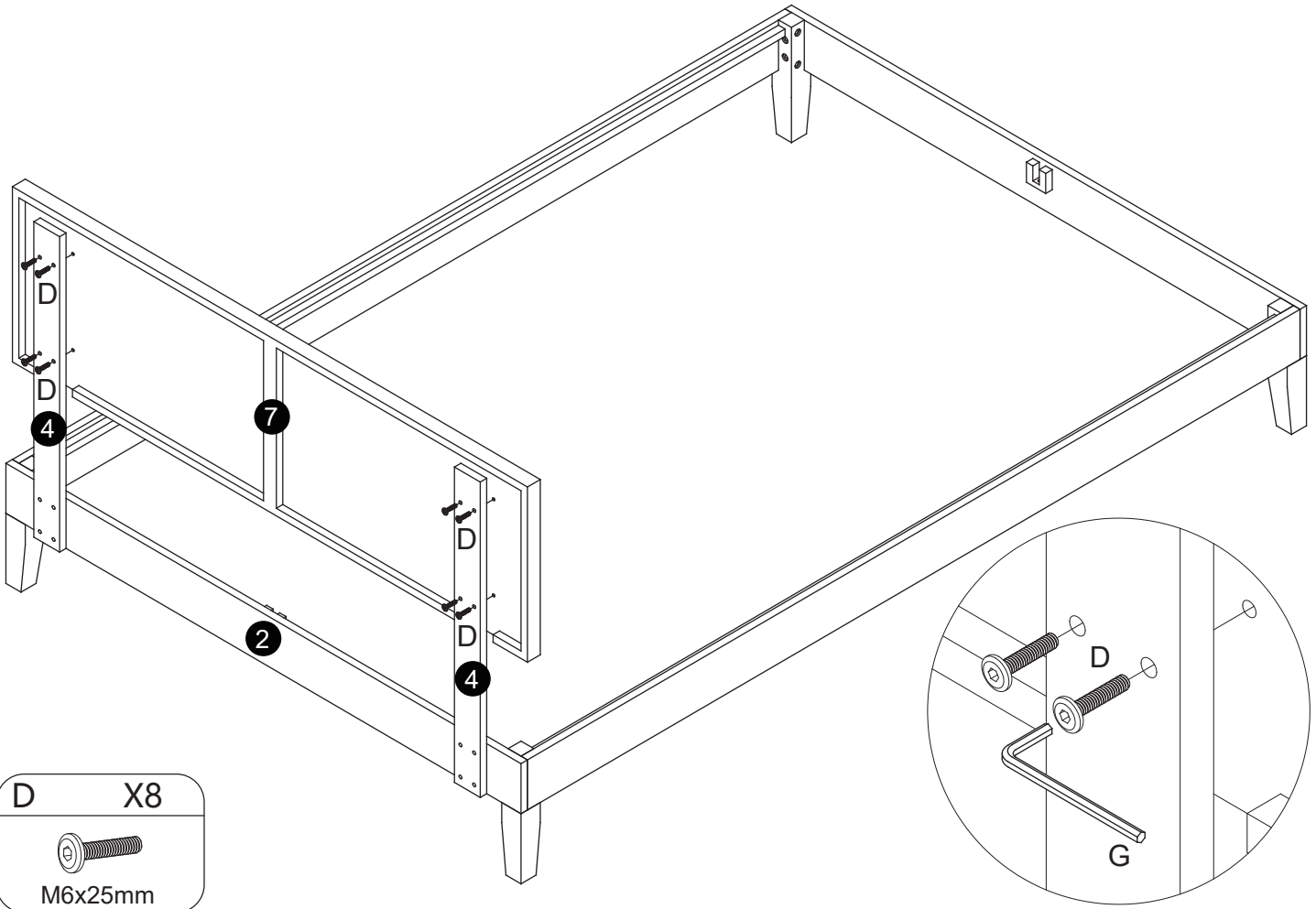
STEP 2



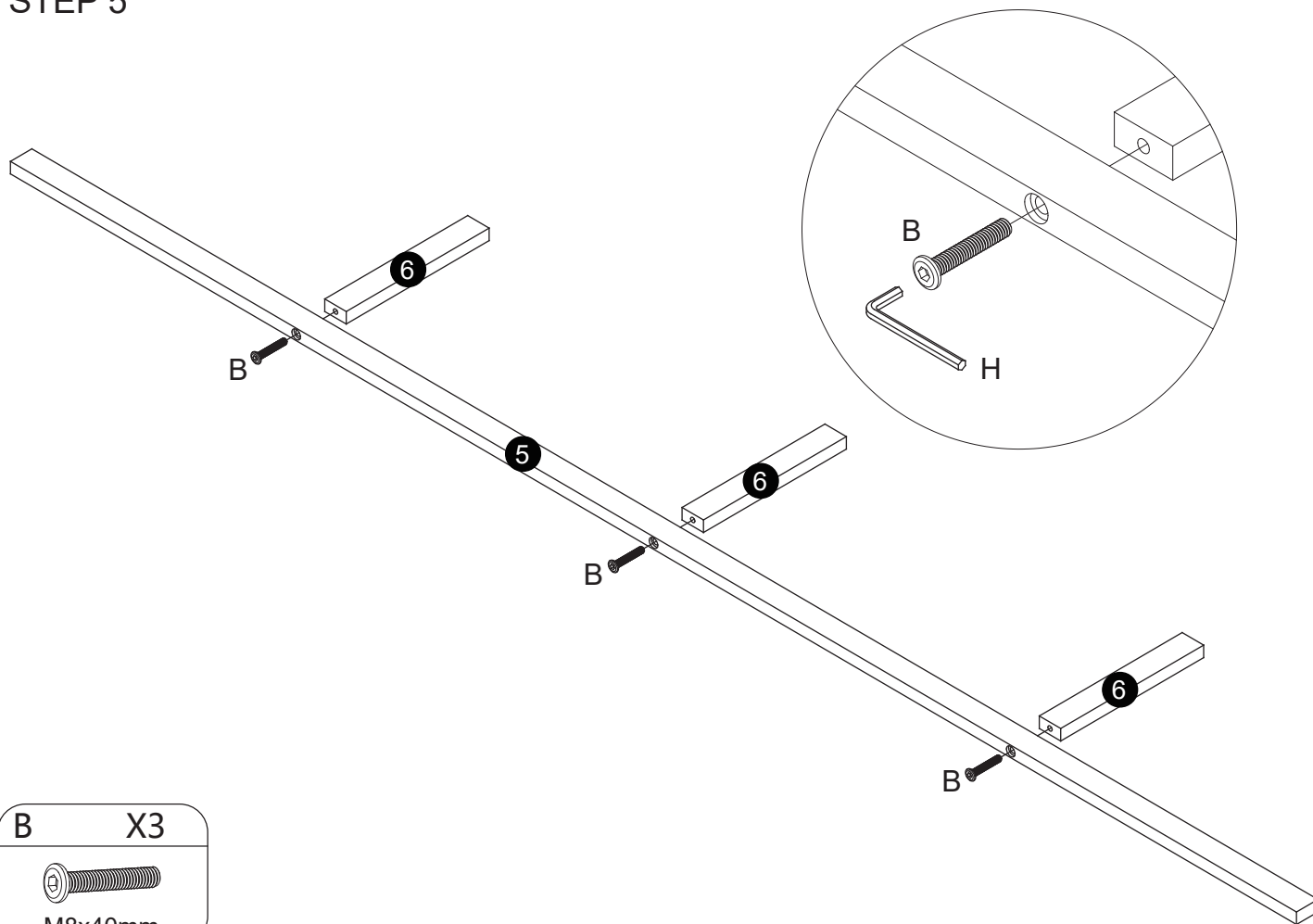
STEP 3




STEP 4

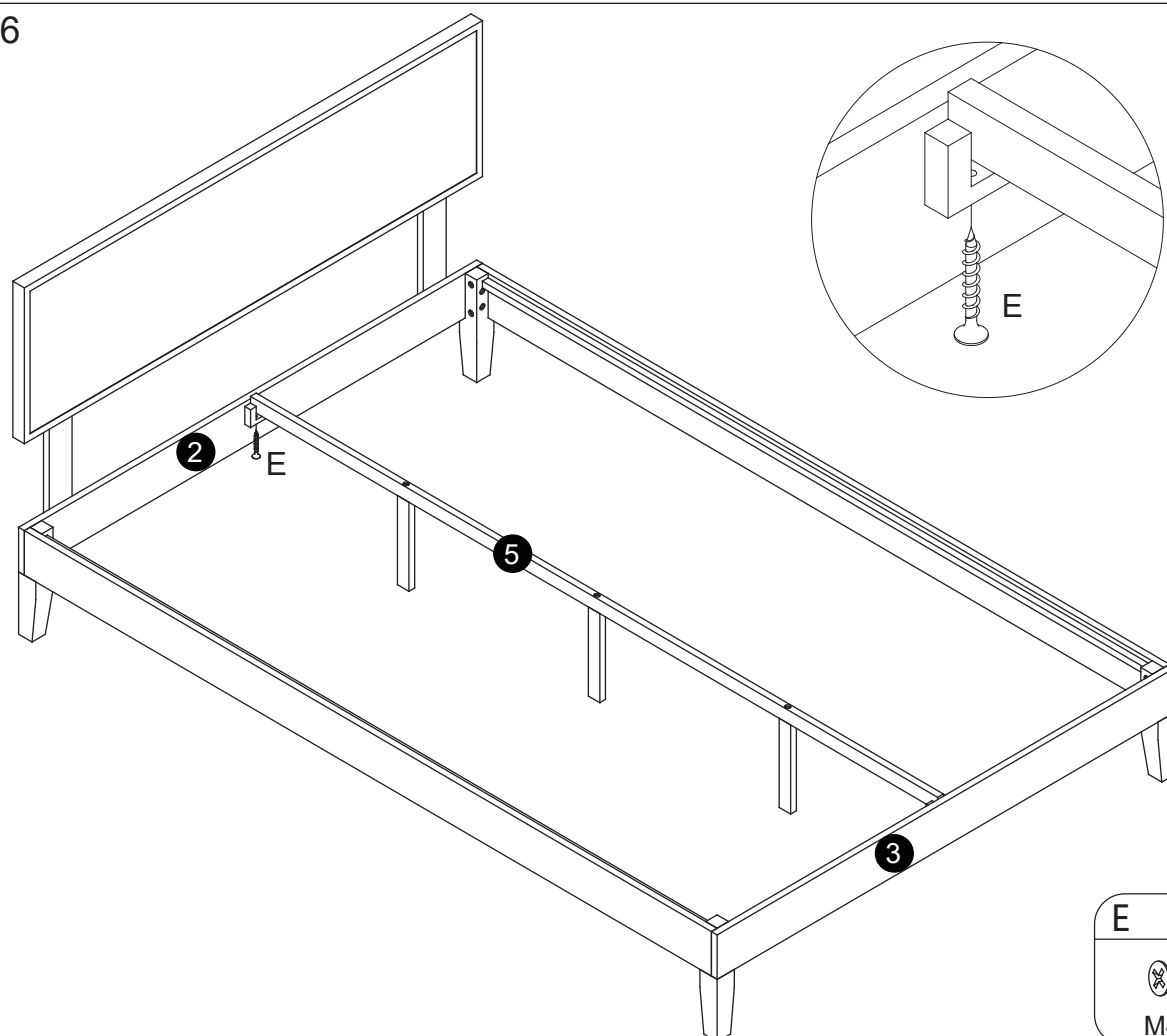



STEP 5



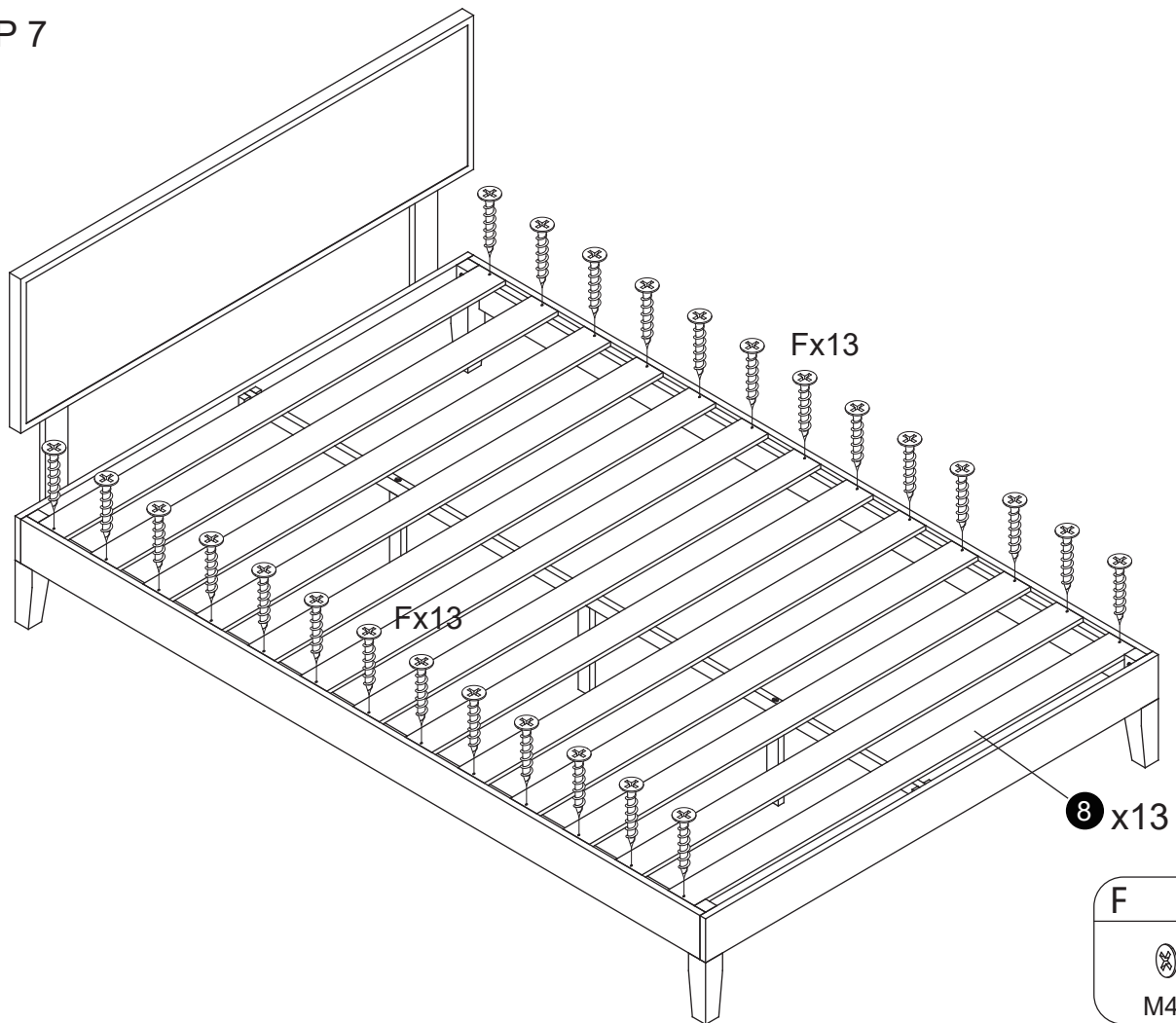
B	X3
	
M8x40mm	

STEP 6



E	X2
	
M4x30mm	

STEP 7



STEP 8

