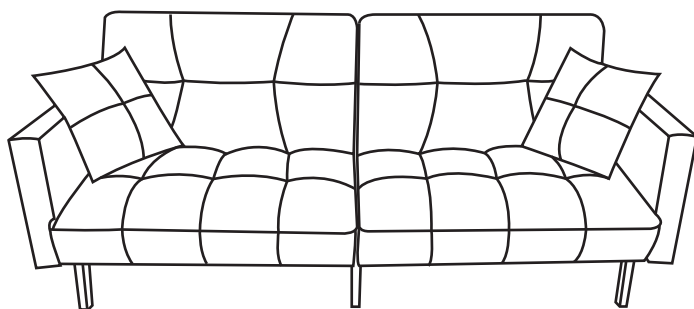
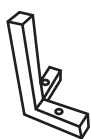


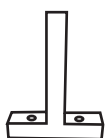
ASSEMBLY INSTRUCTIONS



PARTS AND HARDWARE



Leg
4x



Support Leg
2x



Bolt
12x



Allen Key
1x



Washer
12x

DIAGRAM 1

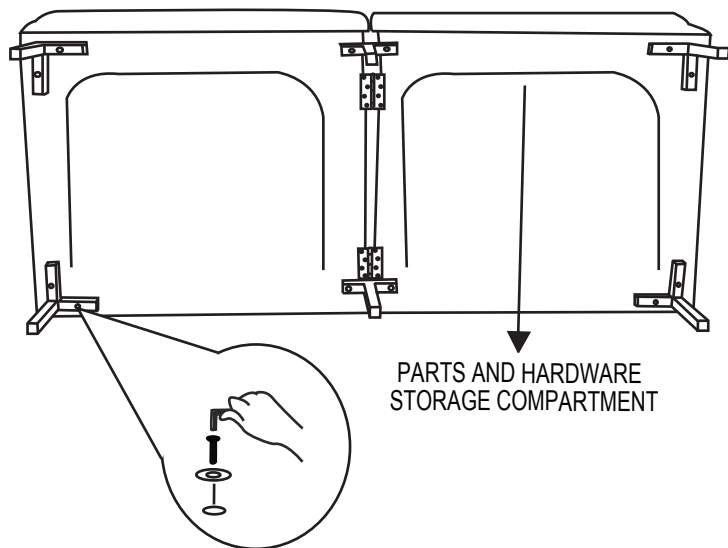


DIAGRAM 2

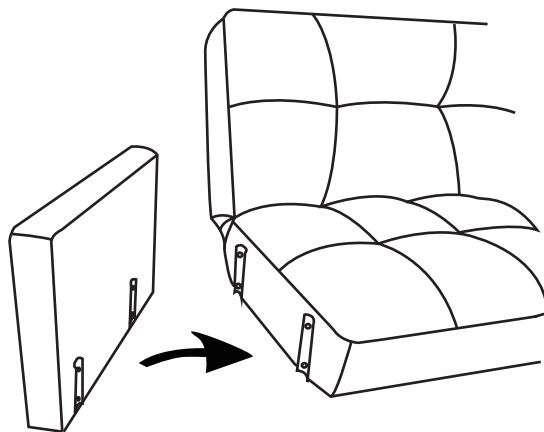


DIAGRAM 3

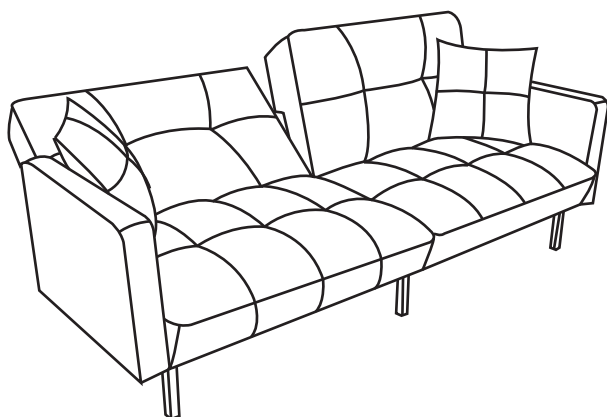


DIAGRAM 4

