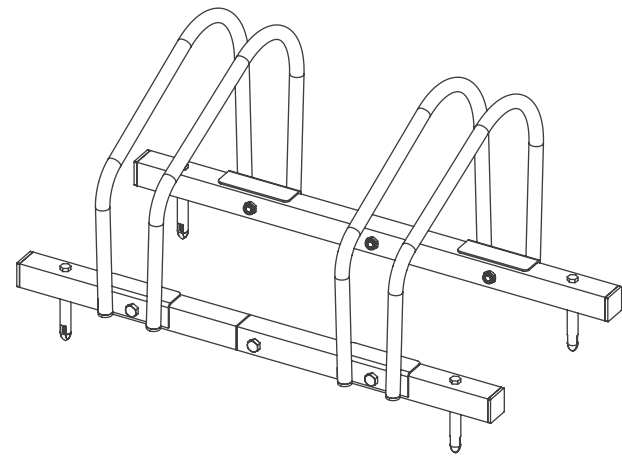




BIKE STORAGE RACK

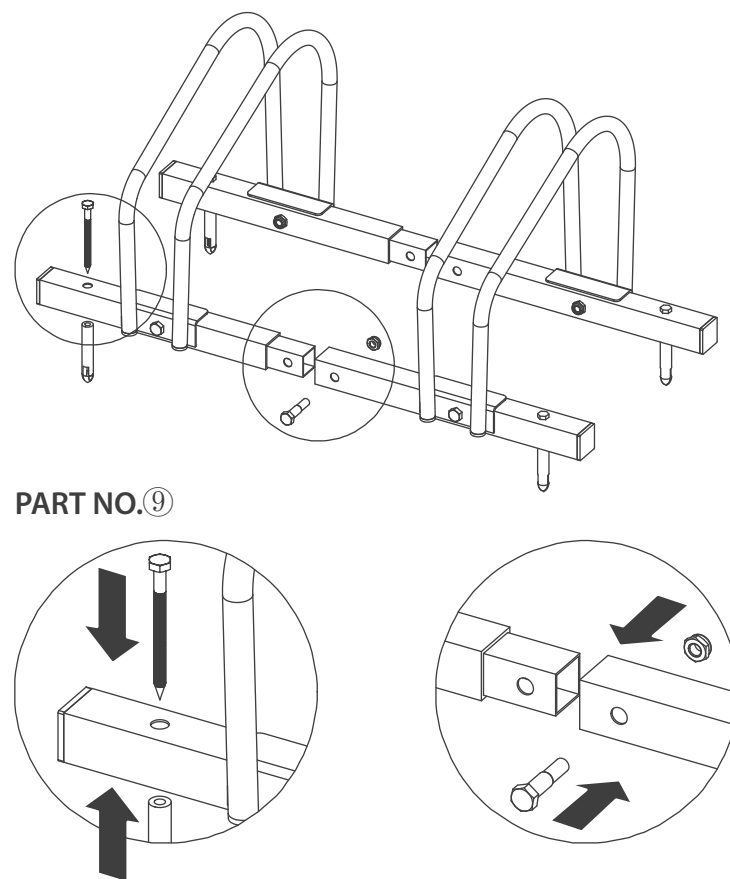


! READ ALL INSTRUCTIONS BEFORE ASSEMBLY AND USE OF BICYCLE STAND. KEEP INSTRUCTIONS FOR FUTURE USE.

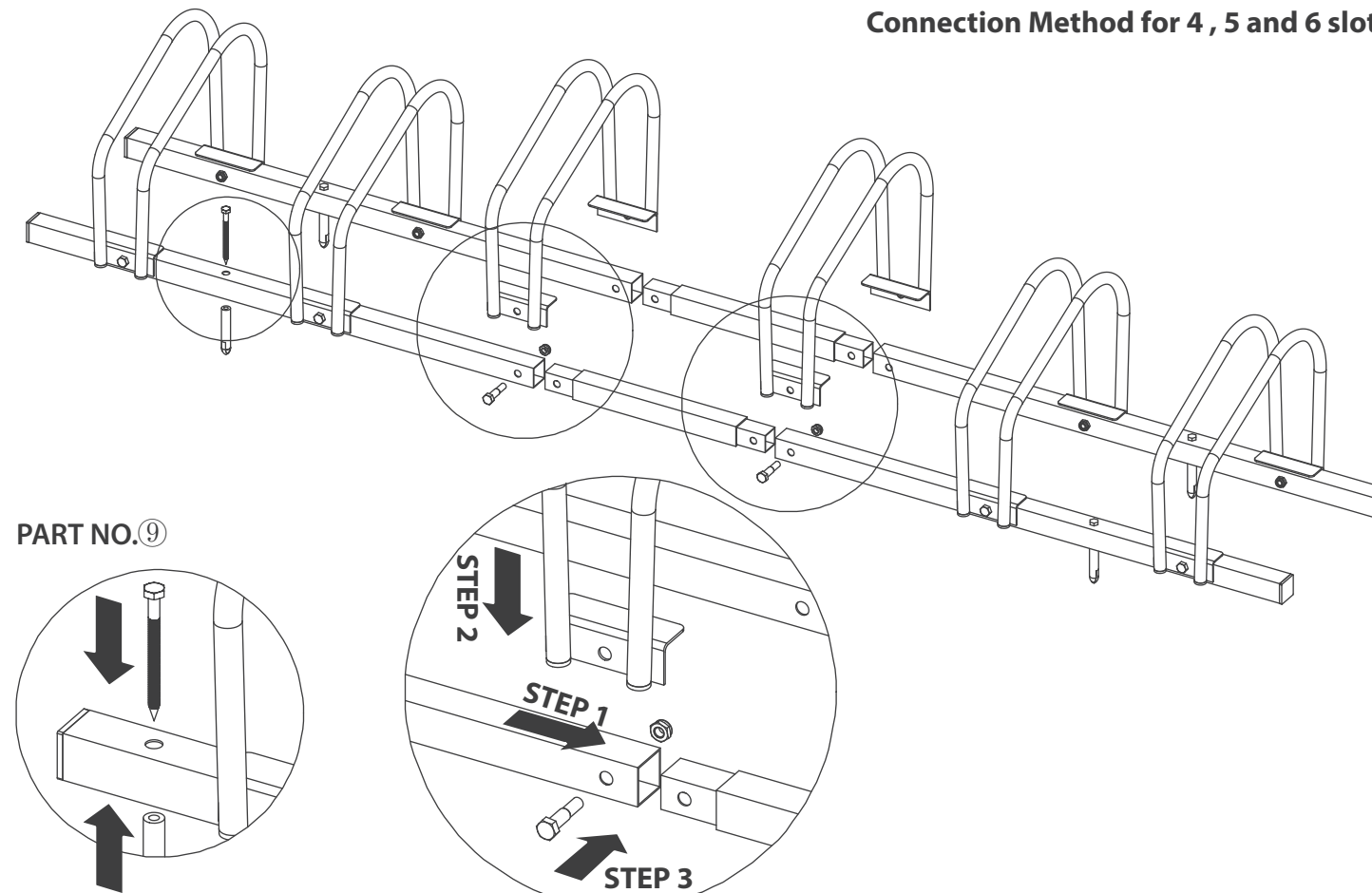
RR1002-02	RR1002-03	RR1002-04	RR1002-05	RR1002-06
<p>2 slots</p> <p>PART NO. ① [2 Pcs]</p> <p>PART NO. ② Size: 25 x 25 x 290mm [2 Pcs]</p> <p>PART NO. ③ Size: 25 x 25 x 290mm [2 Pcs]</p> <p>PART NO. ⑧ M8 x 40mm [6 Pcs]</p> <p>PART NO. ⑨ M6 x 80mm [4 Pcs]</p>	<p>3 slots</p> <p>PART NO. ① [3 Pcs]</p> <p>PART NO. ④ Size: 25 x 25 x 420mm [2 Pcs]</p> <p>PART NO. ⑤ Size: 25 x 25 x 414mm [2 Pcs]</p> <p>PART NO. ⑧ M8 x 40mm [6 Pcs]</p> <p>PART NO. ⑨ M6 x 80mm [4 Pcs]</p>	<p>4 slots</p> <p>PART NO. ① [4 Pcs]</p> <p>PART NO. ④ Size: 25 x 25 x 370mm [4 Pcs]</p> <p>PART NO. ⑦ Size: 25 x 25 x 336mm [2 Pcs]</p> <p>PART NO. ⑧ M8 x 40mm [8 Pcs]</p> <p>PART NO. ⑨ M6 x 80mm [4 Pcs]</p>	<p>5 slots</p> <p>PART NO. ① [5 Pcs]</p> <p>PART NO. ④ Size: 25 x 25 x 370mm [2 Pcs]</p> <p>PART NO. ⑥ Size: 25 x 25 x 670mm [2 Pcs]</p> <p>PART NO. ⑦ Size: 25 x 25 x 336mm [2 Pcs]</p> <p>PART NO. ⑧ M8 x 40mm [10 Pcs]</p> <p>PART NO. ⑨ M6 x 80mm [4 Pcs]</p>	<p>6 slots</p> <p>PART NO. ① [6 Pcs]</p> <p>PART NO. ⑥ Size: 25 x 25 x 670mm [4 Pcs]</p> <p>PART NO. ⑦ Size: 25 x 25 x 336mm [2 Pcs]</p> <p>PART NO. ⑧ M8 x 40mm [12 Pcs]</p> <p>PART NO. ⑨ M6 x 80mm [4 Pcs]</p>

ASSEMBLING YOUR BICYCLE STAND

Connection Method for 2 and 3 slots



Connection Method for 4, 5 and 6 slots



RR1002-02

1. Insert the PART NO. ③(2pcs) into PART NO.②(2pcs).
2. Place the PART NO. ①(2pcs) onto assembled base tubes, and connected with machine screws PART NO.⑧

RR1002-03

1. Insert the PART NO. ⑤(2pcs) into PART NO.④(2pcs).
2. Place the PART NO. ①(3pcs) onto assembled base tubes, and connected with machine screws PART NO.⑧

RR1002-04

1. Insert the PART NO. ⑦(2pcs) into PART NO.④(4pcs).
2. Place the PART NO. ①(4pcs) onto assembled base tubes, and connected with machine screws PART NO.⑧

RR1002-05

1. Insert the PART NO. ⑦(2pcs) into PART NO.④(2pcs) and PART NO.⑥(2pcs).
2. Place the PART NO. ①(5pcs) onto assembled base tubes, and connected with machine screws PART NO.⑧

RR1002-06

1. Insert the PART NO. ⑦(2pcs) into PART NO.⑥(4pcs).
2. Place the PART NO. ①(6pcs) onto assembled base tubes, and connected with machine screws PART NO.⑧

3. Dig the small hole into ground, then put the plugs PART NO.⑨ into it.
4. Fix the bike stand on the ground with self-tapping screws PART NO.⑨.

MADE IN CHINA
v.20200714

297mm

420mm