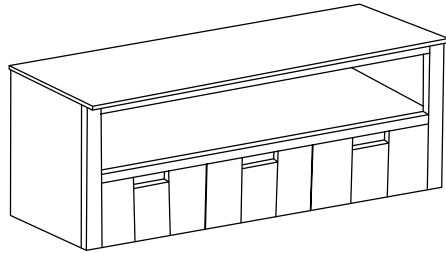
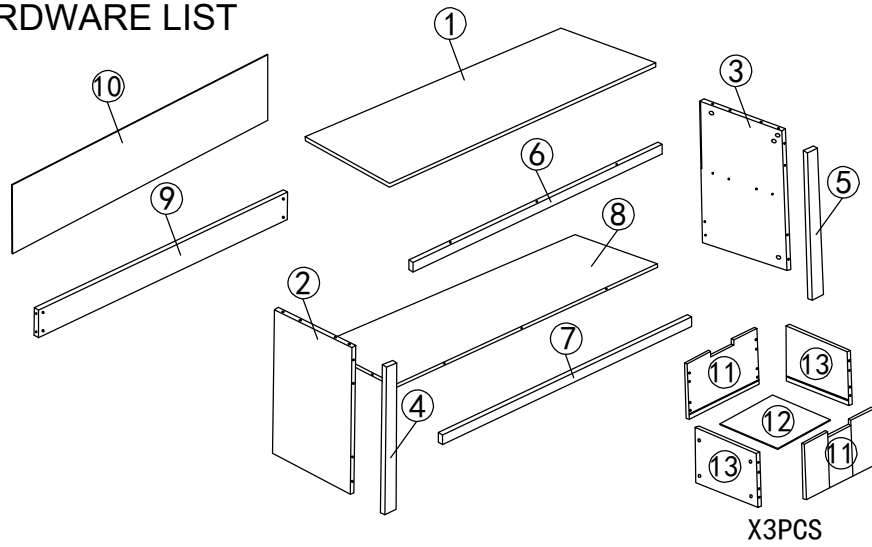


ASSEMBLY INSTRUCTIONS

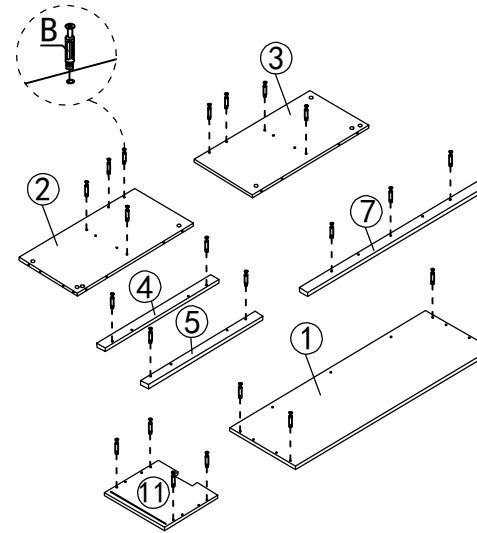


HARDWARE LIST

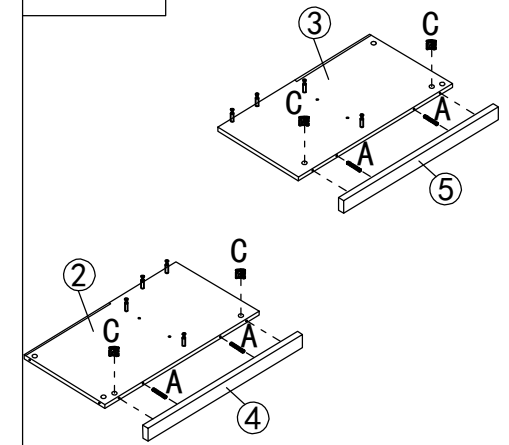


A	B	C	Dx3	Ex12
Fx12	Gx48			
	M3x10			M2.5x10

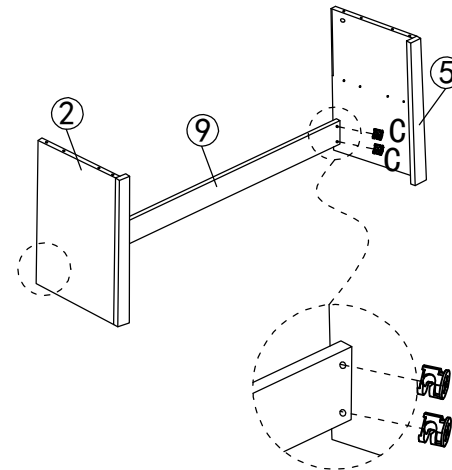
STEP 1



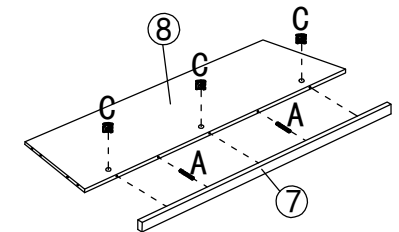
STEP 2



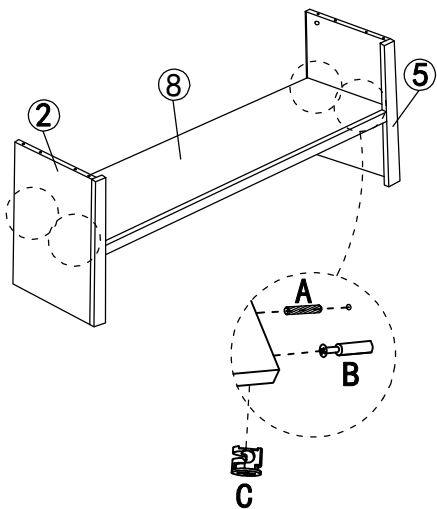
STEP 3



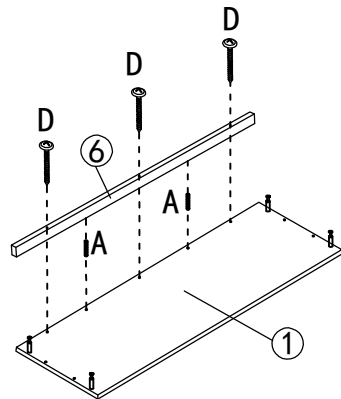
STEP 4



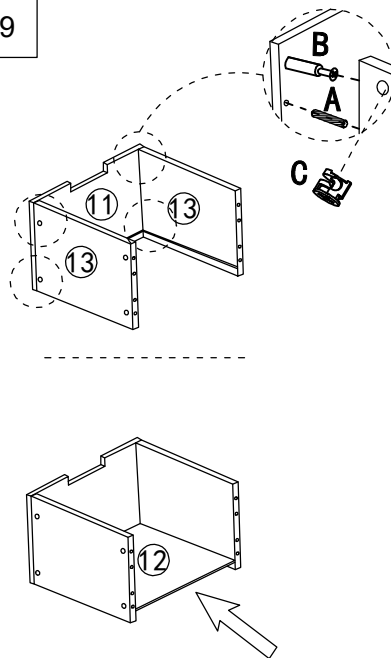
STEP 5



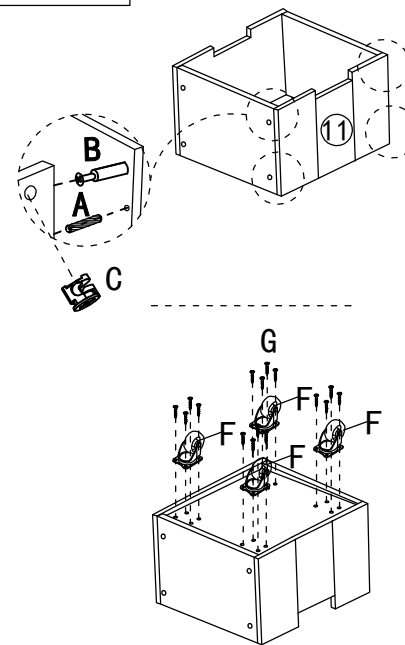
STEP 6



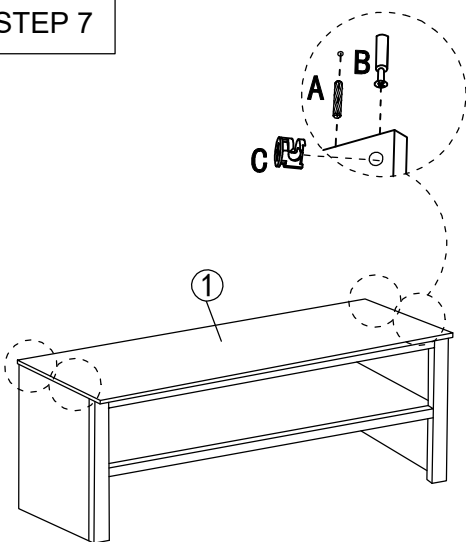
STEP 9



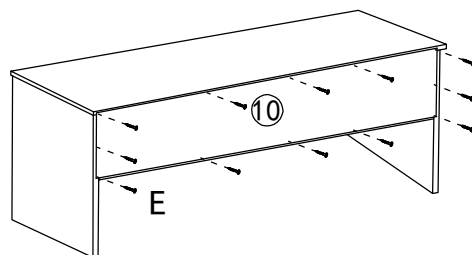
STEP 10



STEP 7



STEP 8



FINISH

