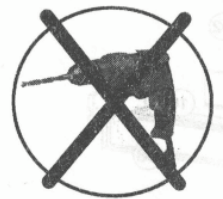
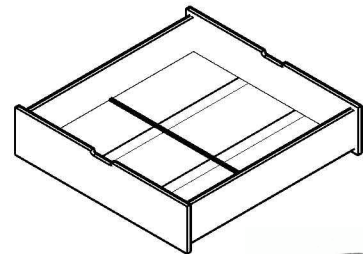
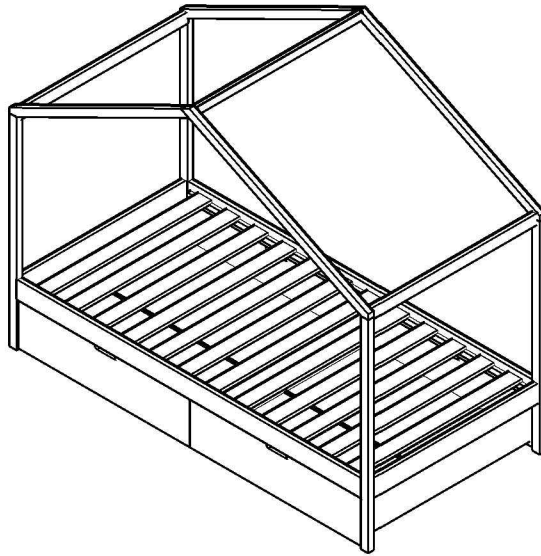





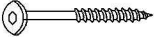


QUALIFIED CERTIFICATE
 MODEL: BF1039 BED
 CHECKER: 02



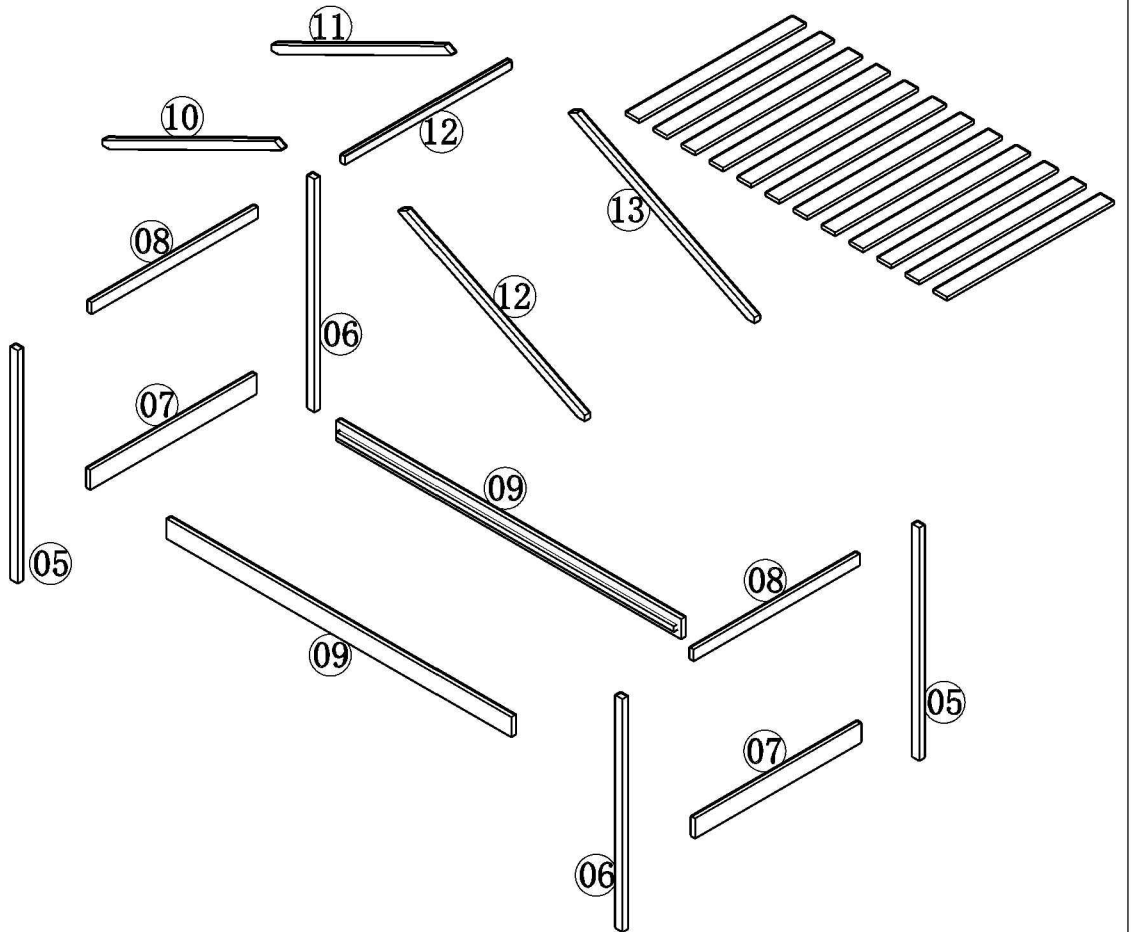
The screw will be loose in the use of the product, and the hardware screw should be re tightened every 15 days .

HARDWARE

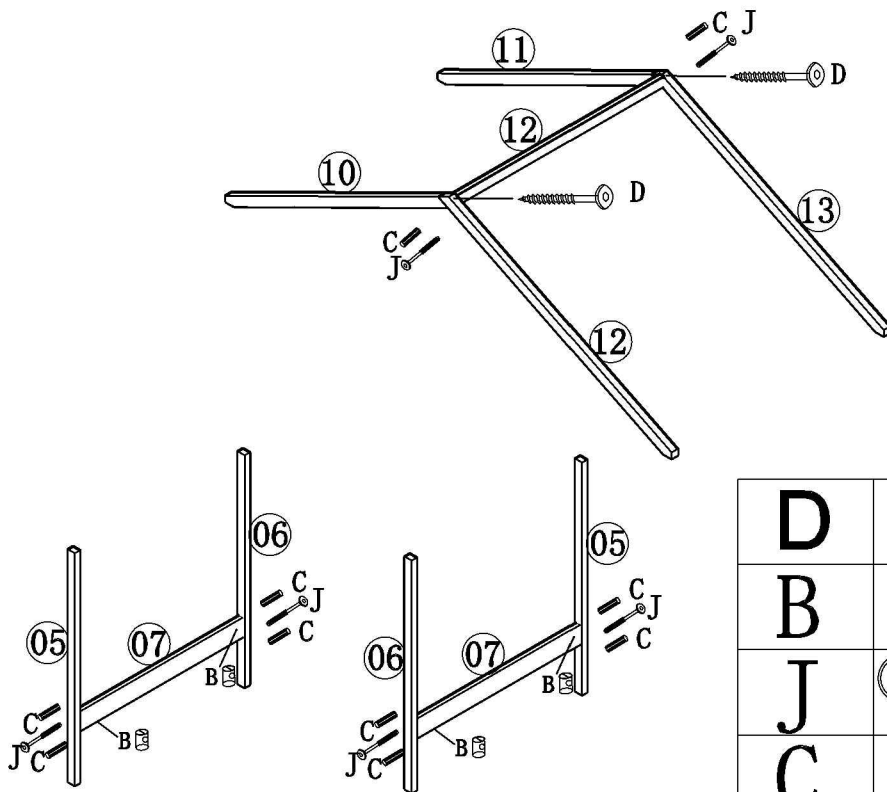
J	 M6*70mm	18+1	F	 4*120mm	01
B		18+1	G	 Ø3*25mm	24+2
C	 Ø8*30mm	18+2			
D	 Ø6*70mm	06+1			

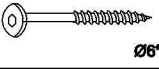

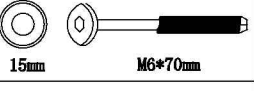

01

02

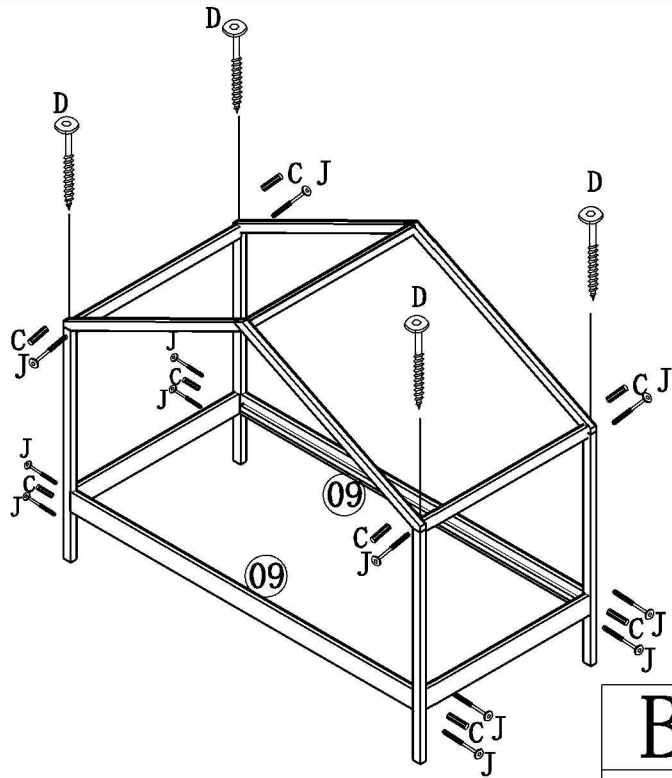


03



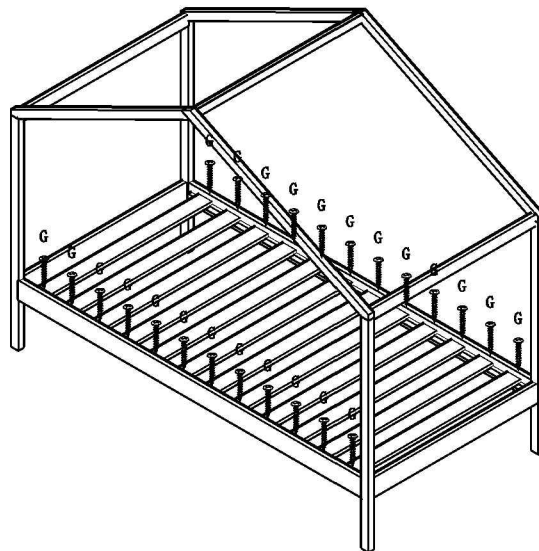
D	 Ø6*70mm	02
B		06
J	 15mm M6*70mm	06
C	 Ø 8*30mm	10

04



B		12
J	 15mm	12
D	 Ø6*70mm	04
C	 Ø8*30mm	08

05



G	 8mm	24
----------	---------	----