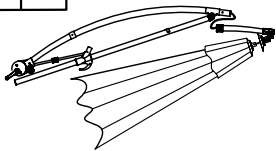
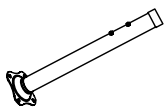


ASSEMBLY INSTRUCTION

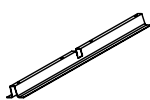
A 1



B 1



C 1



D 1



E 4



F 4



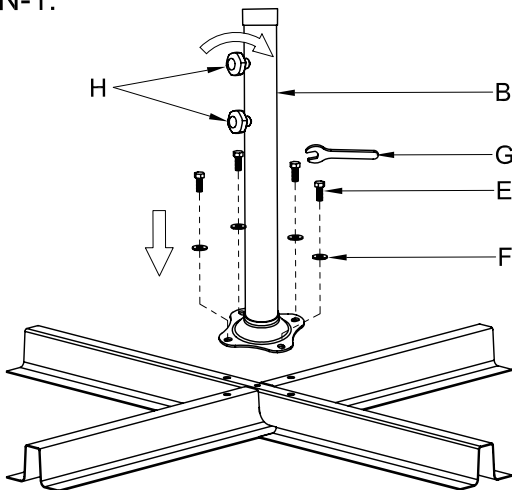
G 1



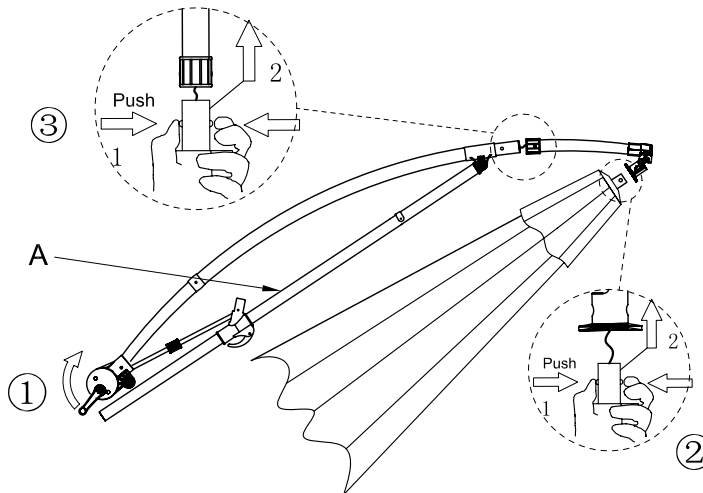
H 2



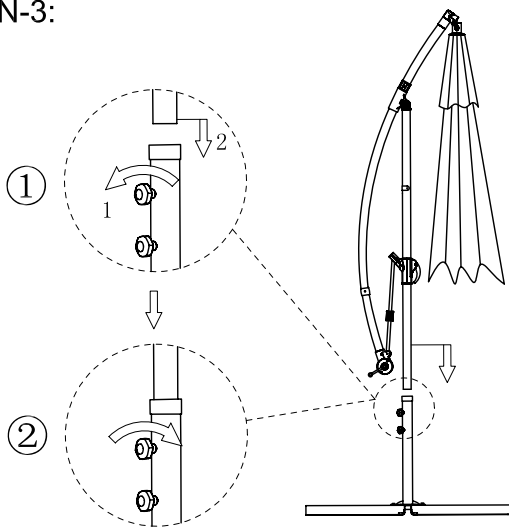
OPEN-1:



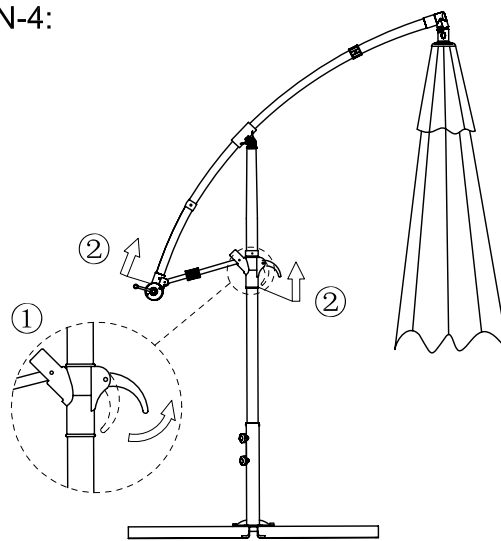
OPEN-2:



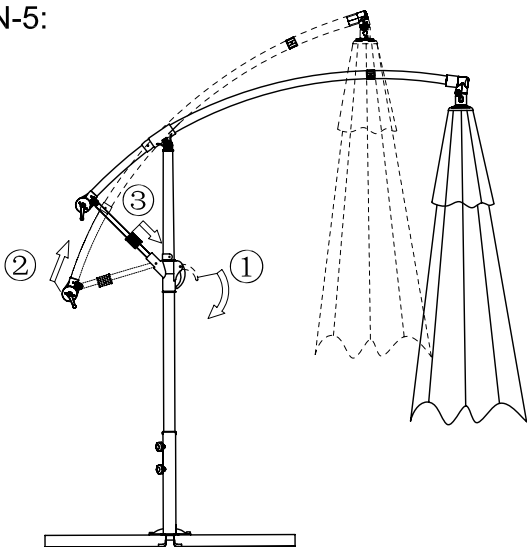
OPEN-3:



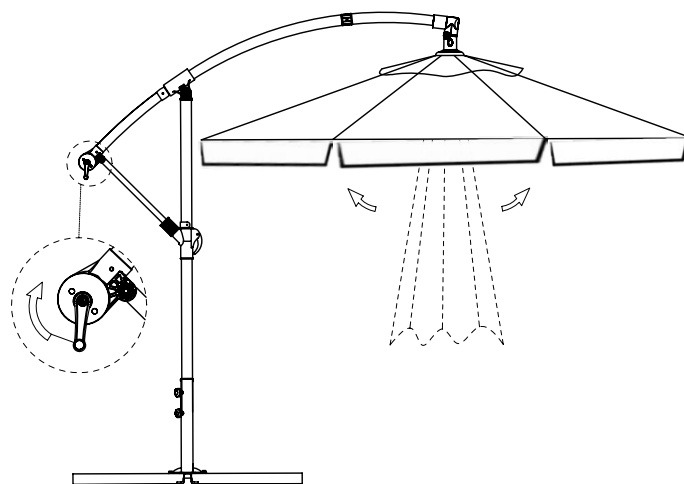
OPEN-4:



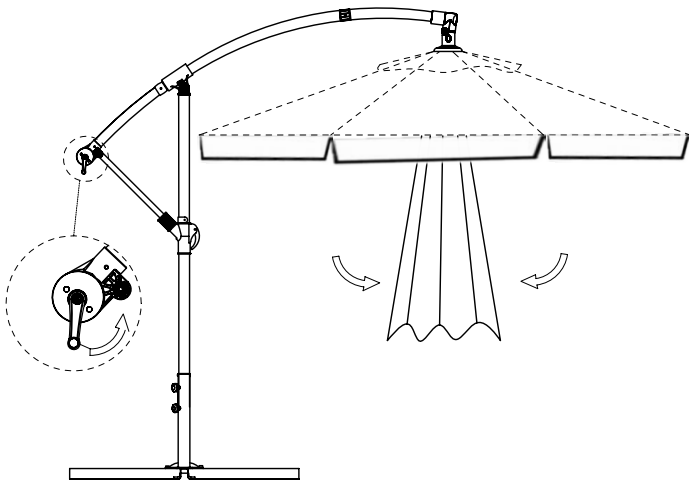
OPEN-5:



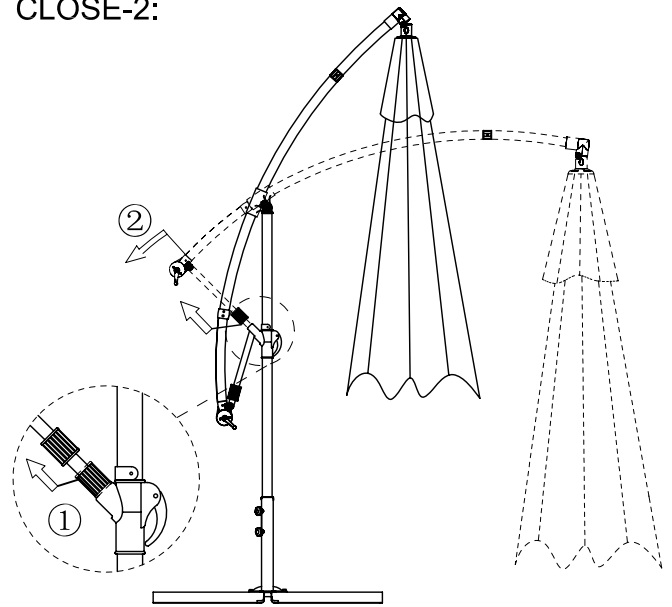
OPEN-6:



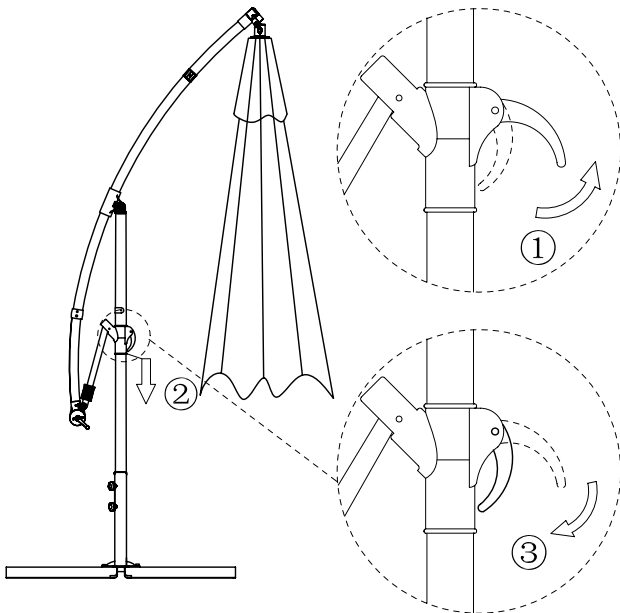
CLOSE-1:



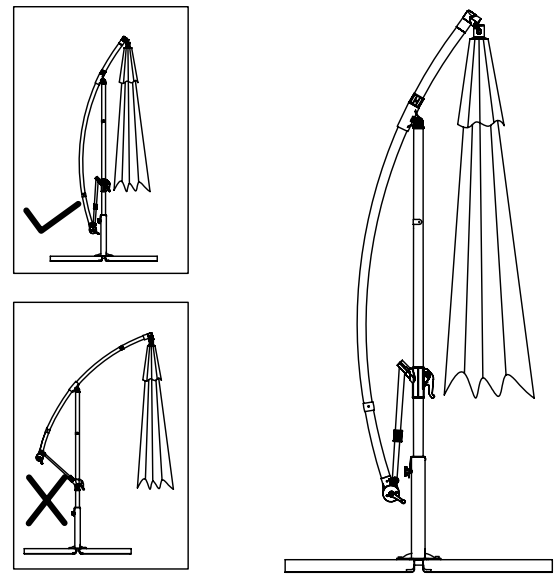
CLOSE-2:



CLOSE-3:



CLOSE-4:



Warning:

1. Cross bar stand will not support umbrella without proper weight. Using the stand without weights will damage your umbrella.
2. Please do not use this umbrella in strong wind which will be easy to blow it away.
3. We advise customers to never leave umbrella open overnight and under bad weather conditions. We will not be responsible for such weather damages.