

2-in-1 Folding Creeper & Mechanic Stool

## 2-In-1 transformation

Quick convert from a creeper to Z-shaped stool



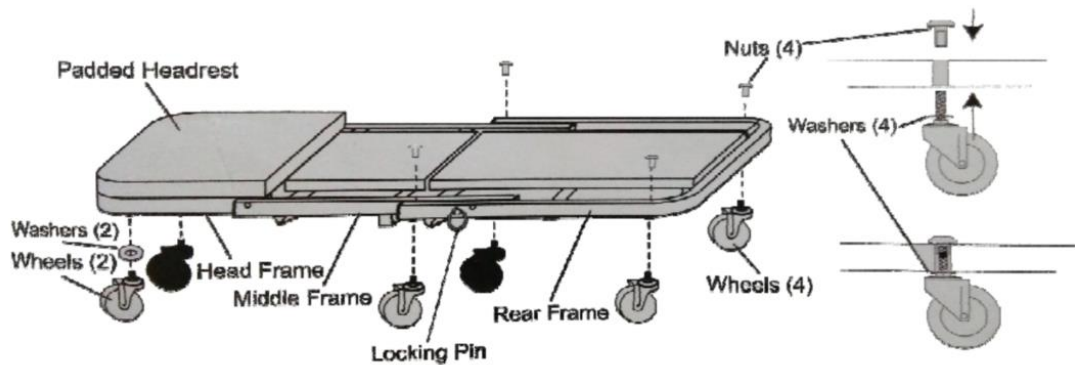
Pull the ring



## Assembly instruction

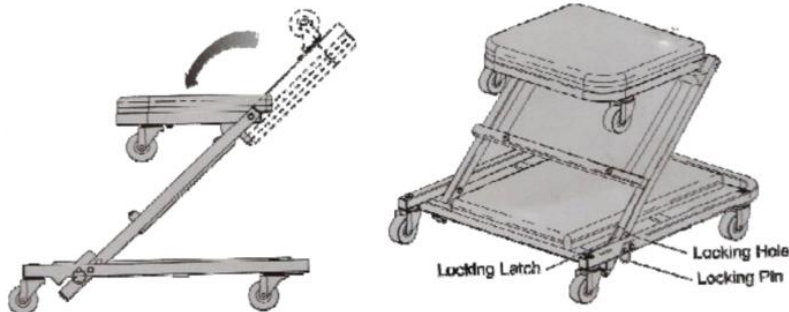
Connect these three sections of foam padded creeper together by 4 pcs M8x55 hex head bolts and M8 lock nuts. Tighten the M8 hex head bolts and nuts firmly.

Install 6 pcs swivel casters into the frame of assembled creeper body.



## How to convert the creeper to mechanics seat:

1. Locate and unlock the Locking pin by pulling it out until the locking mechanism (locking hole) has been disengaged. Flip the middle part of creeper towards the end until the locking pin can engage the mechanics seat locking latch.
2. Flip the front part of creeper (head frame) to the other side until it has sit horizontally.
3. Reverse the above steps to convert the mechanics seat to creeper.



## Safety instructions

### Warning!

Read, study and follow all instructions before assembling or operating this device. Failure to heed these instructions may result in personal injury and or property damage. Do not exceed maximum capacity of 150 KGS. Do not stand on the creeper. This creeper is designed for use on hard, level surface capable of sustaining the load. Use on other than hard, level surface could result in load instability and possible loss of load resulting in property damage and personal injury. Alterations shall not be made to this product. If creeper is not operating properly, or parts are loose, missing, or broken. Stop use of creeper immediately. Creeper's fabric will burn. Be care when near open flame or with burning cigarettes.

**SPECIFICATION**

- Frame material: Powder coated steel
- Surface material: PU Leather
- Weight: 5.6kg
- Max Capacity: 150kg
- Wheels: 6
- Cushion thickness: 4cm
- Dimension: 92cm x 42cm x 13cm (L x W x H)
- Colour: Black/Red

**PACKAGE CONTENT**

- 1 x 2-in-1 Garage Creeper
- 1 x Instruction Manual