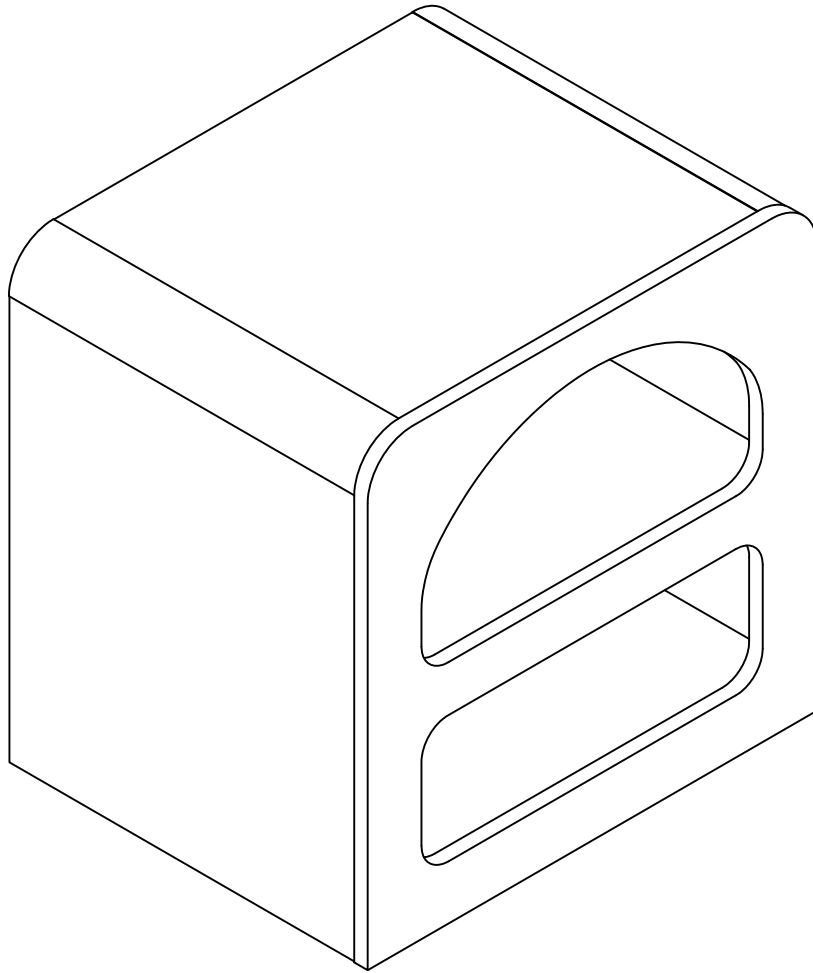


# Assembly Instructions

Sorrento Series



# Lifely\*

## Product Code

SRT-BT-WHT Bedside Table

## Dimensions (W x D x H)

500\*400\*500mm

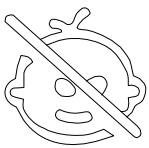
---

## Important

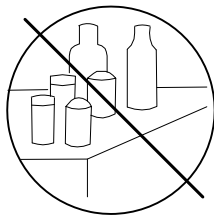
Please read through instruction carefully  
Before assembly and keep for future reference.

For our full catalogue of assembly instructions,  
Visit: [lifely.com.au/assembly](http://lifely.com.au/assembly).

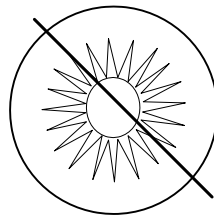
## Important Tips and Maintenance



1. Keep children and animals away from working area as smaller parts may cause choking if swallowed.



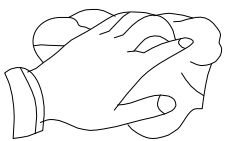
2. Never place liquids or anything damp upon furniture as it will mark. Ensure a coaster or running is beneath.



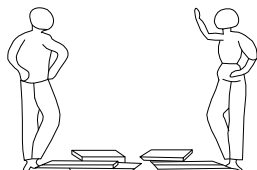
3. Never use ammonia based cleaning products as it will damage the finish.



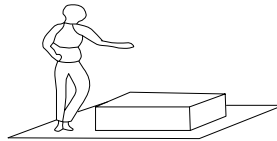
4. To avoid fading, keep furniture out of direct sunlight.



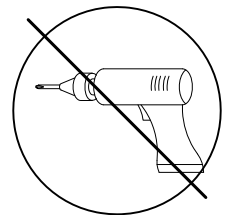
5. Use a soft or damp cloth (dry cloth) when wiping or cleaning surfaces.



6. Two person are required.



7. Lay a soft matt down to protect the furniture piece before and during assembly.



8. NO POWER TOOLS

So your relationship is strong. But is it flat-pack furniture strong? Unless you're an aerospace engineer, assembling furniture can be slightly stressful. We recommend meditating quietly, pouring yourself a herbal tea (or slightly less herbal wine) and tackling things one step at a time. If you feel a passive aggressive remark coming on, try a compliment instead. E.g. "You're so good looking" .

This 11-step assembly should take around 35 minutes with an Allen key .

Designed for everyday

## Component Hardware

Please check you have all the fittings  
part or tools are listed in below.

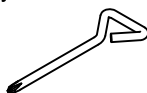
**No. A**  
Quantity:36Pcs  
Cam  
 $\phi$  12\*10mm



**No. B**  
Quantity:36Pcs  
Cam Lock Dowel  
 $\phi$  7\*19



**No. C**  
Quantity:1Pc  
Key



**No. D**  
Quantity:36Pcs  
Cover  
 $\phi$  20mm



**No. E**  
Quantity:4Pcs  
EVA Pad  
 $\phi$  12mm



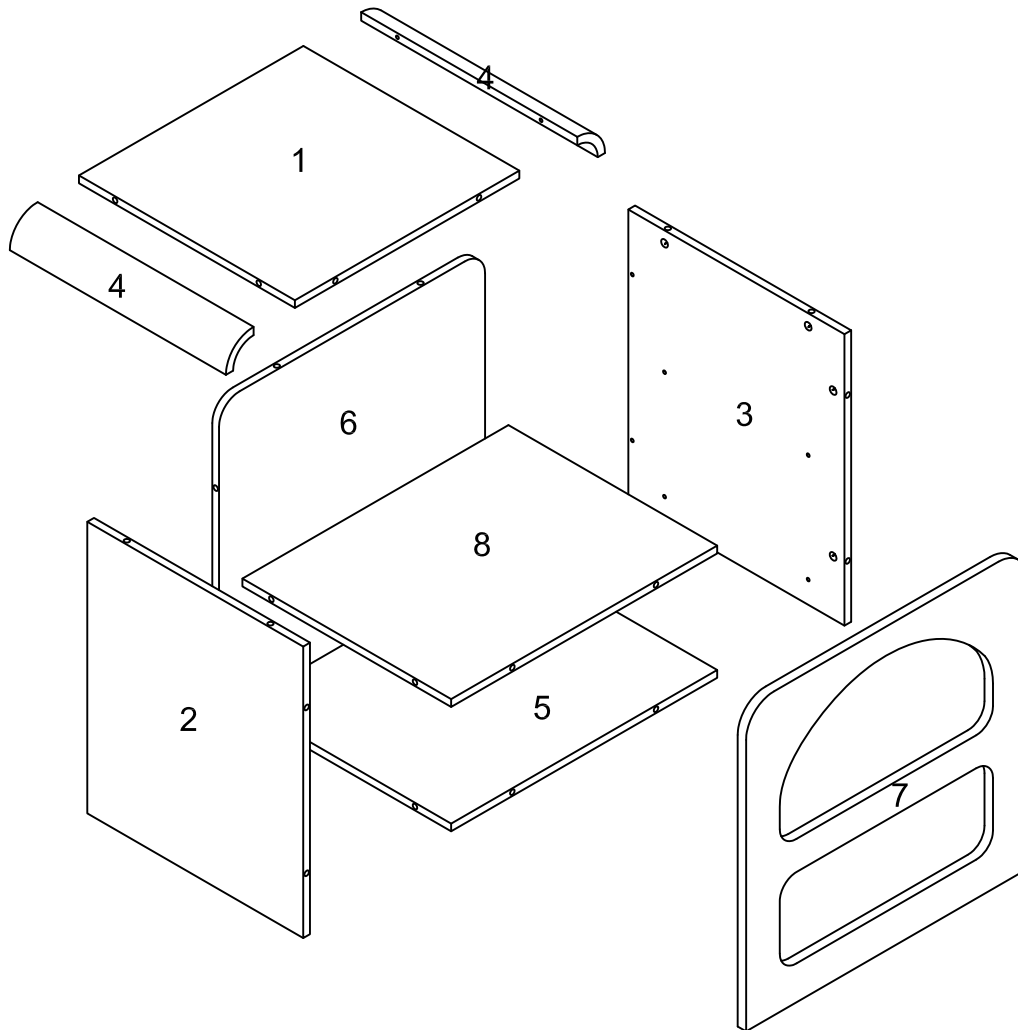
**No. F**  
Quantity:1 Pair  
Gloves



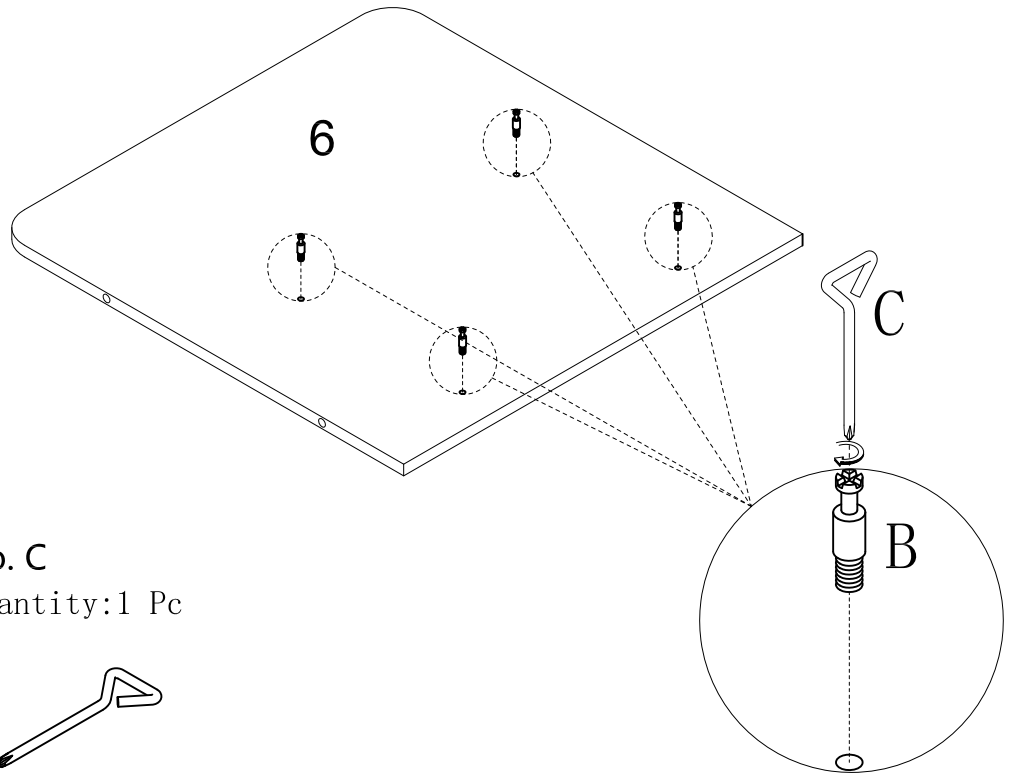
## Component Panels & part List

Please check you have all the panels  
are listed below.

1. Top panel-----x1
2. Side panel-Left----- x1
3. Side panel-Right-----x1
4. Arc edge-----x2
5. Bottom panel -----x1
6. Back panel -----x1
7. Front panel -----x1
8. Shelf-----x1



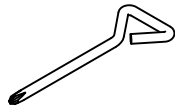
# STEP 1



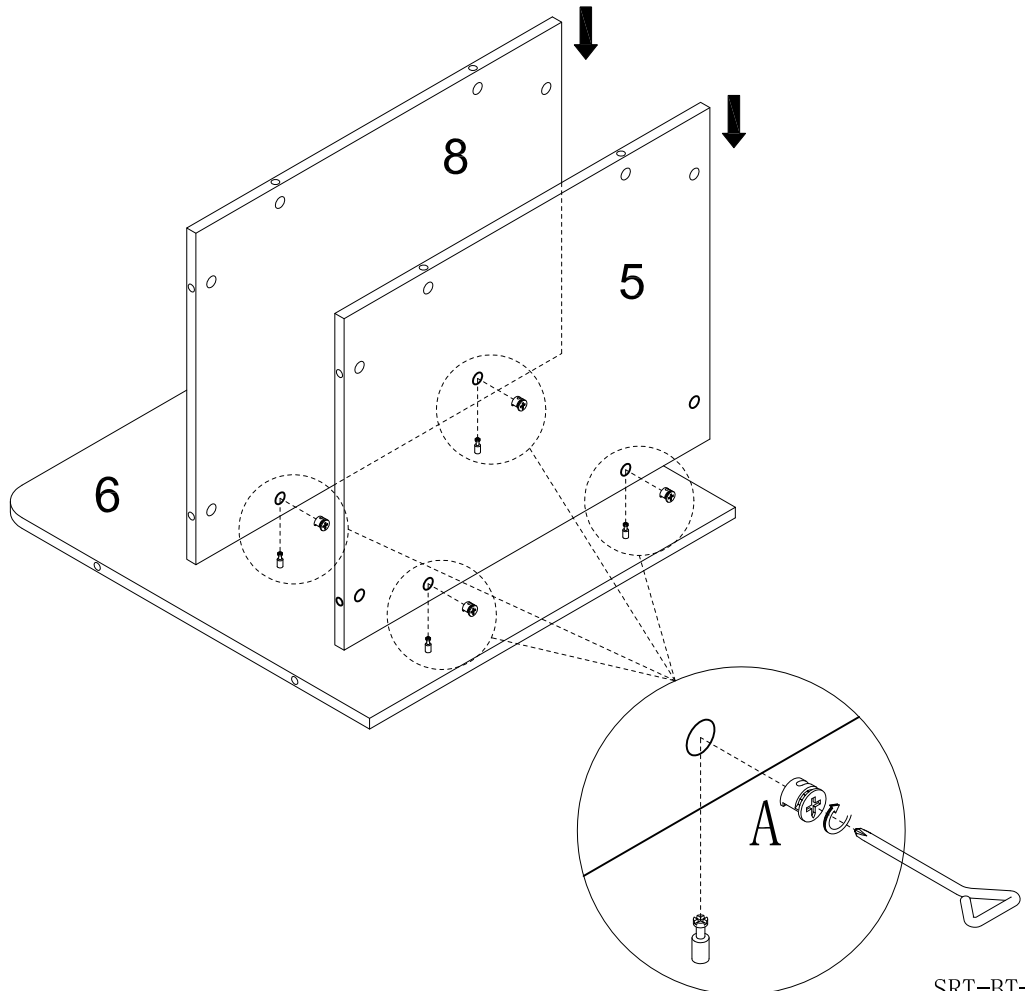
**No. B**  
Quantity: 4 Pcs  
Ø7\*19mm



**No. C**  
Quantity: 1 Pc



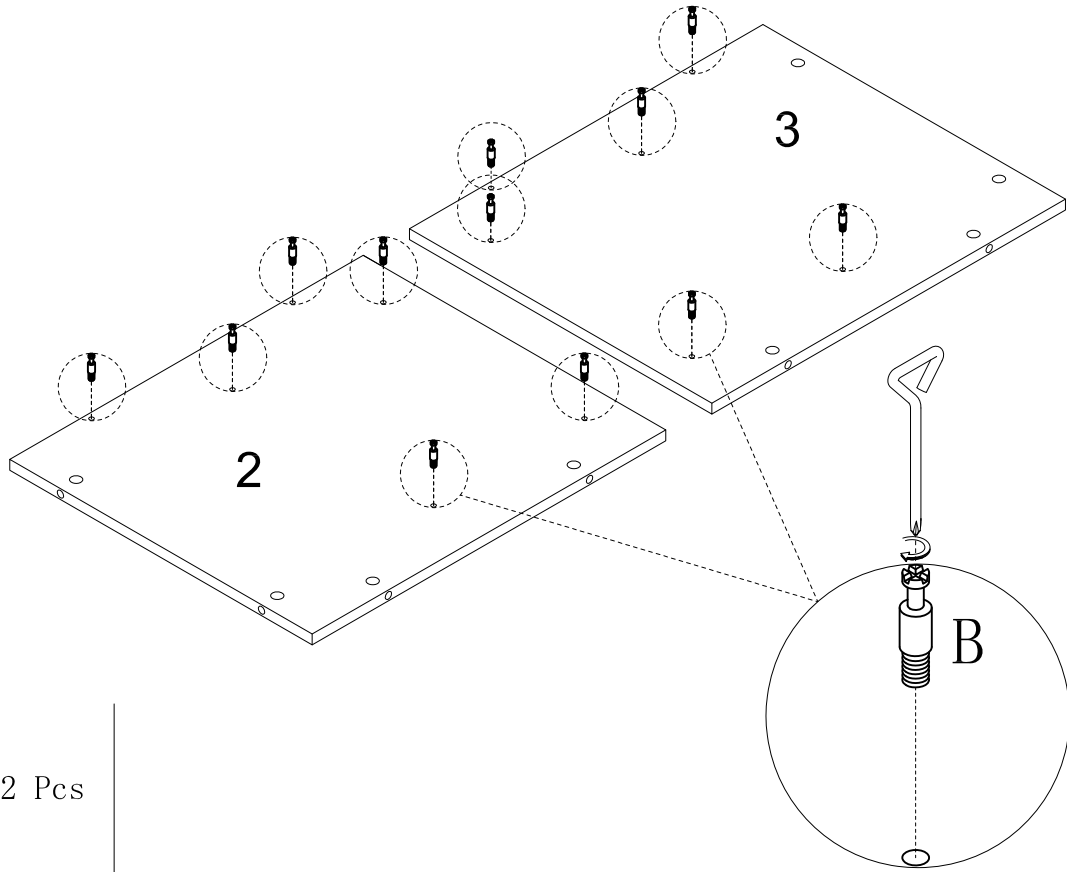
Do not tighten bolts until cam lock dowel are aligned then fully tighten  
**STEP 2**



**No. A**  
Quantity: 4Pcs



### STEP 3



No. B

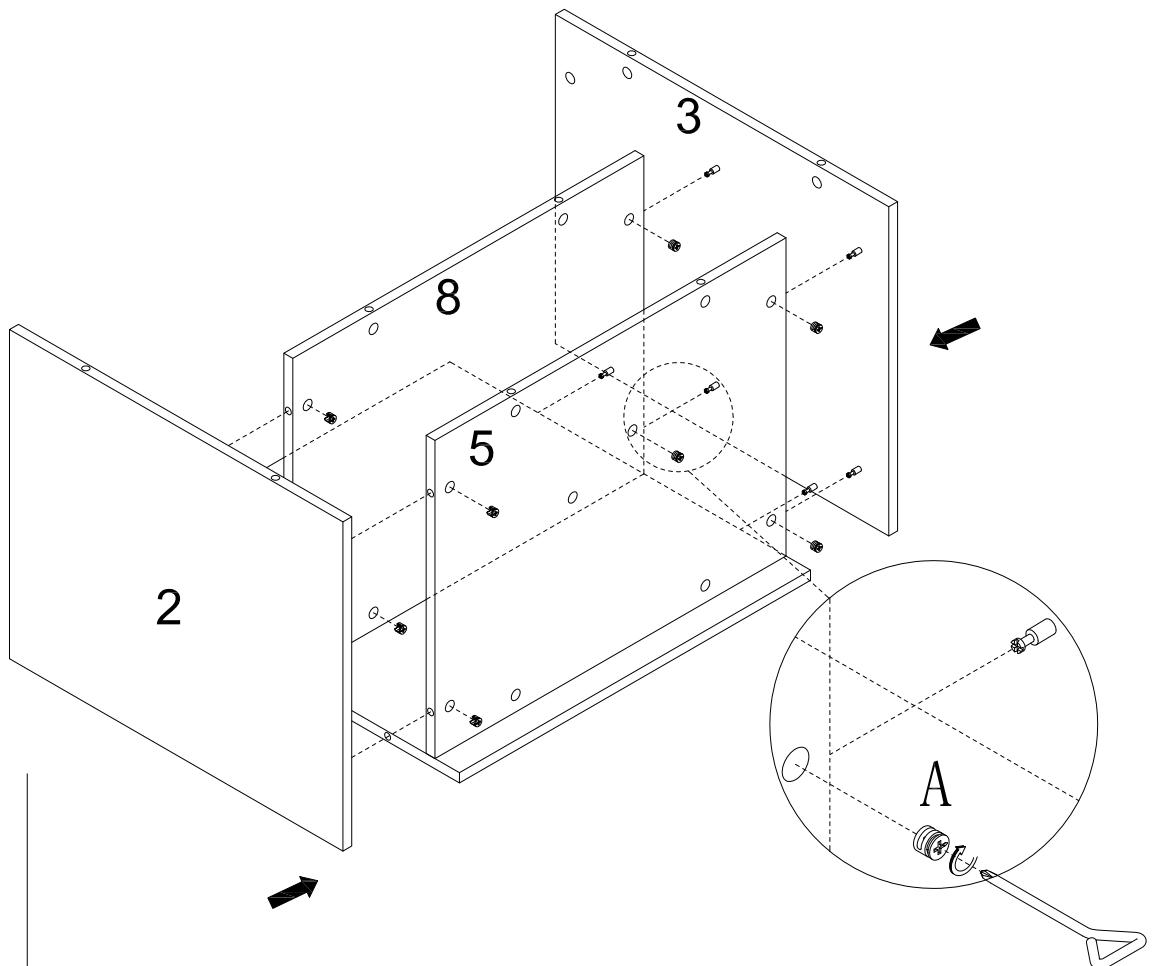
Quantity: 12 Pcs

Ø7\*19mm



Do not tighten bolts until cam lock dowel are aligned then fully tighten

### STEP 4

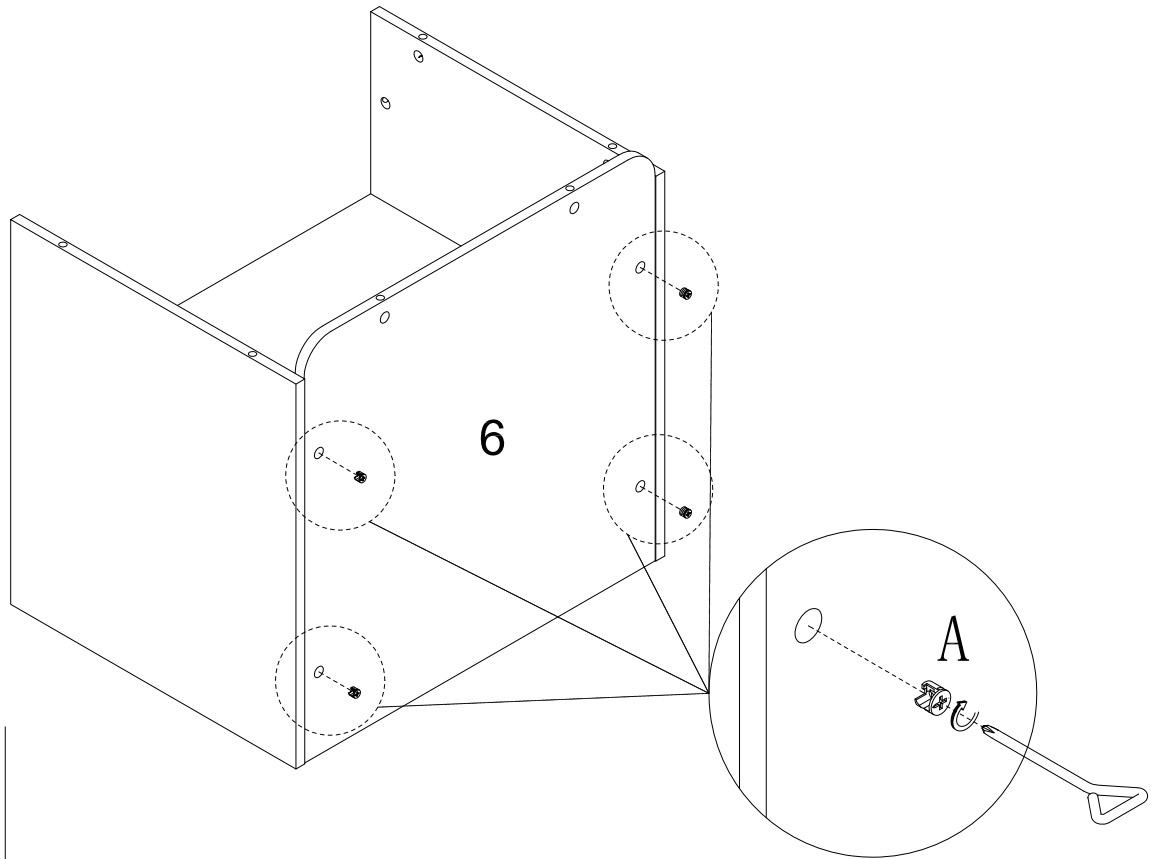


No. A

Quantity: 8Pcs



Do not tighten bolts until cam lock dowel are aligned then fully tighten  
STEP 5

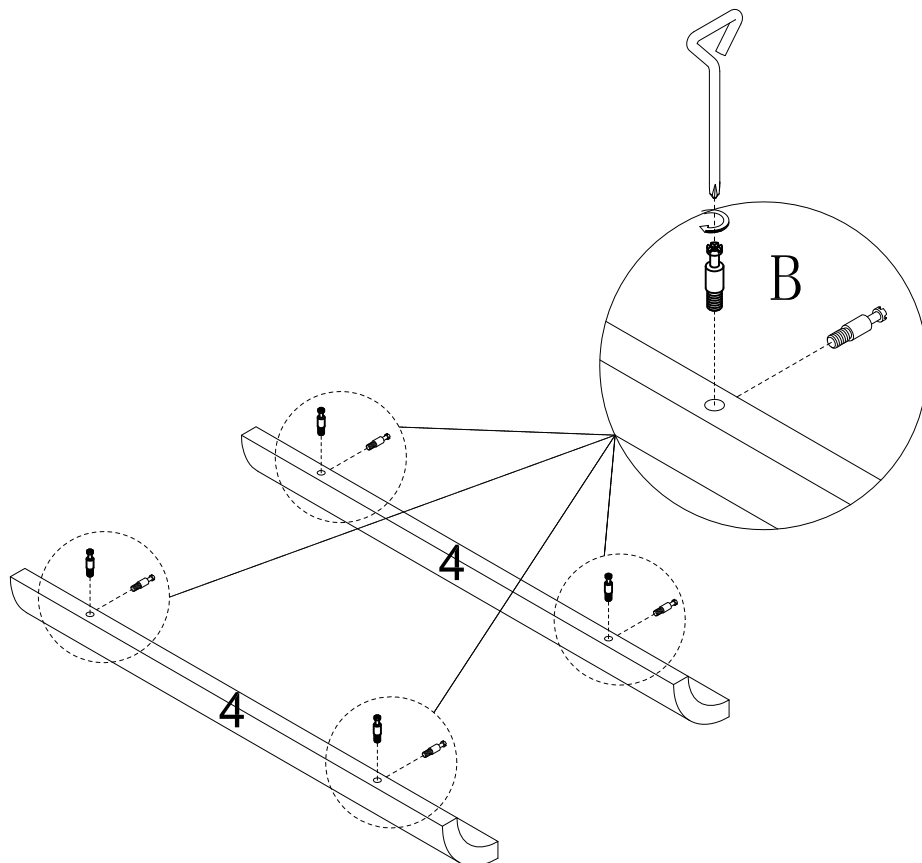


No. A

Quantity:4Pcs



STEP 6



No. B

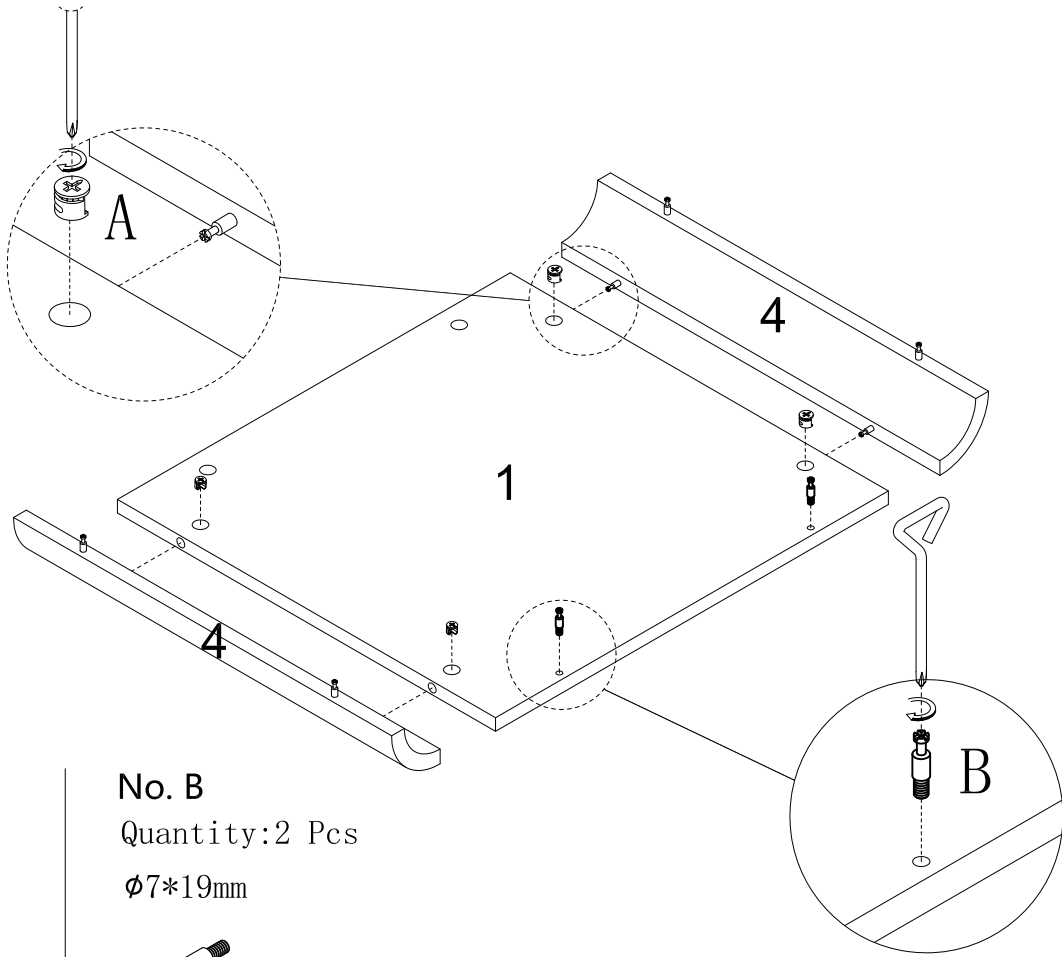
Quantity:8 Pcs

Ø7\*19mm





Do not tighten bolts until cam lock dowel are aligned then fully tighten  
STEP 7



No. A

Quantity:4Pcs



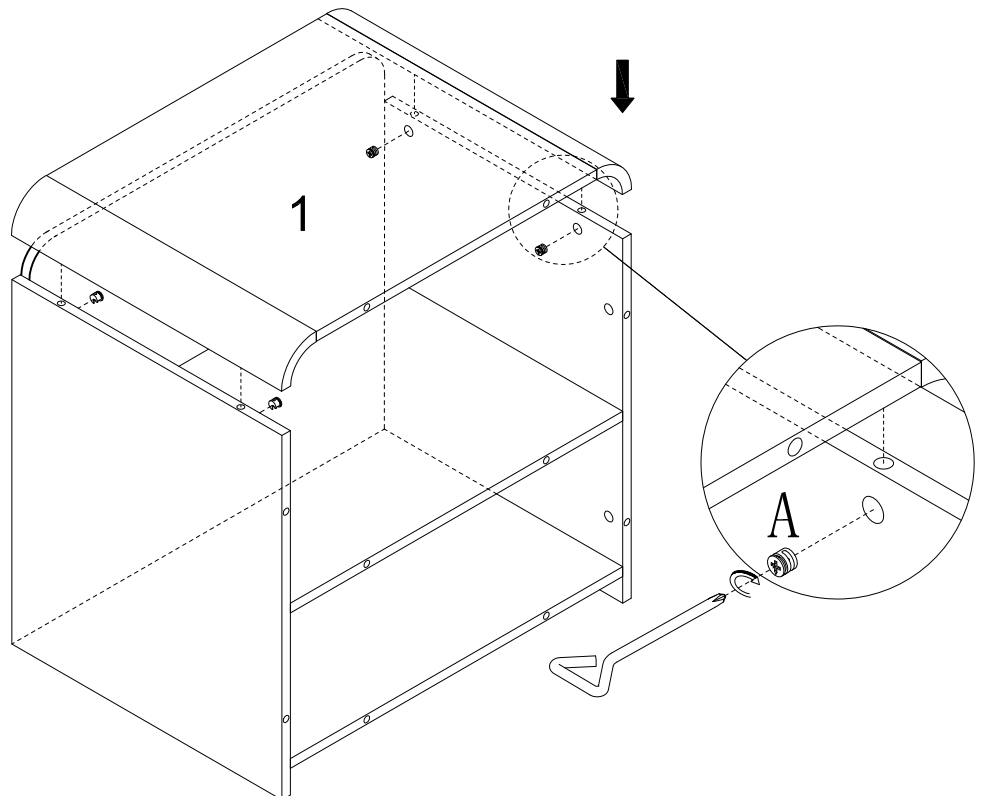
No. B

Quantity:2 Pcs

Ø7\*19mm



Do not tighten bolts until cam lock dowel are aligned then fully tighten  
STEP 8

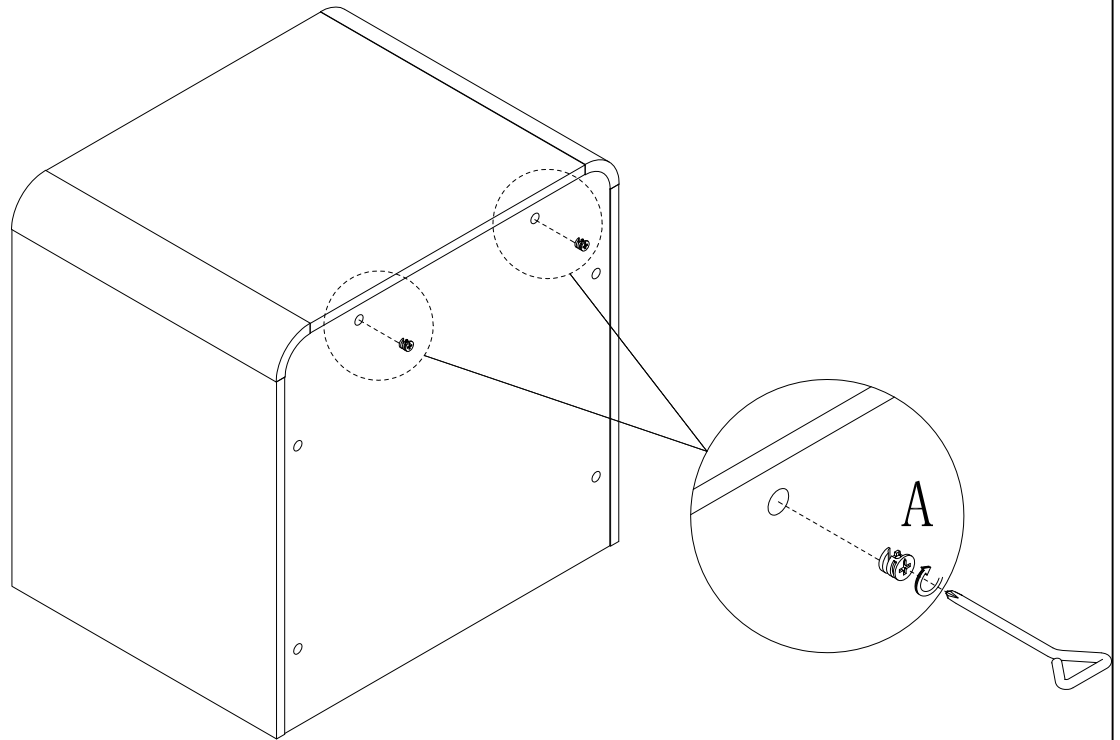


No. A

Quantity:4Pcs



Do not tighten bolts until cam lock dowel are aligned then fully tighten  
STEP 9

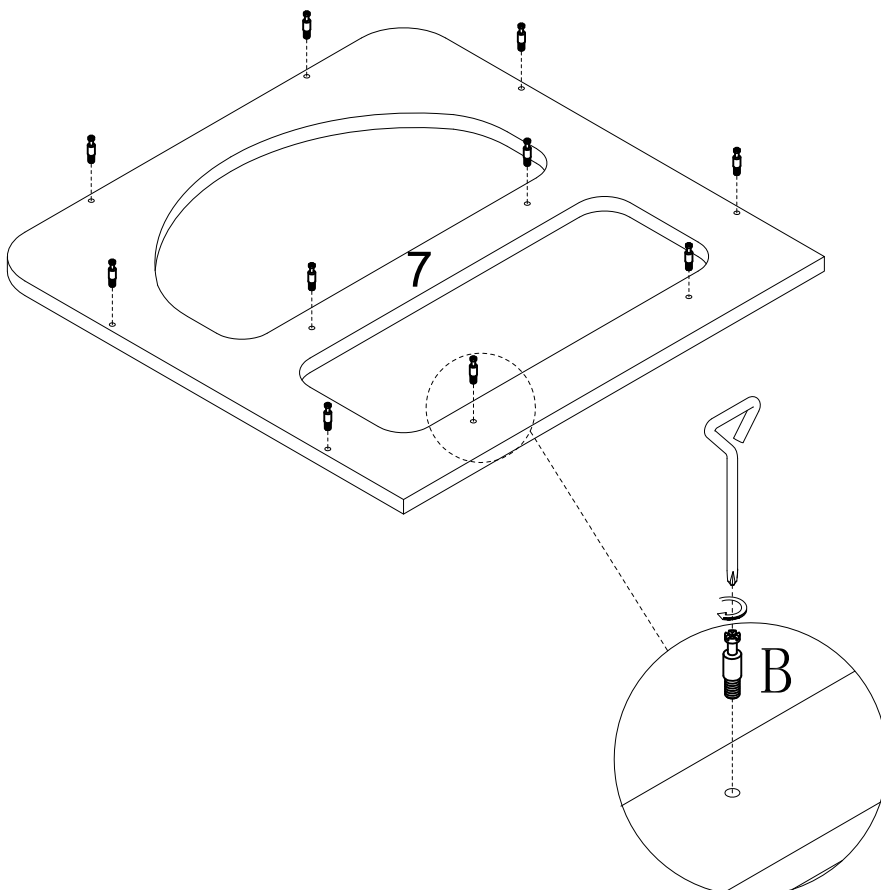


No. A

Quantity: 2Pcs



STEP 10



No. B

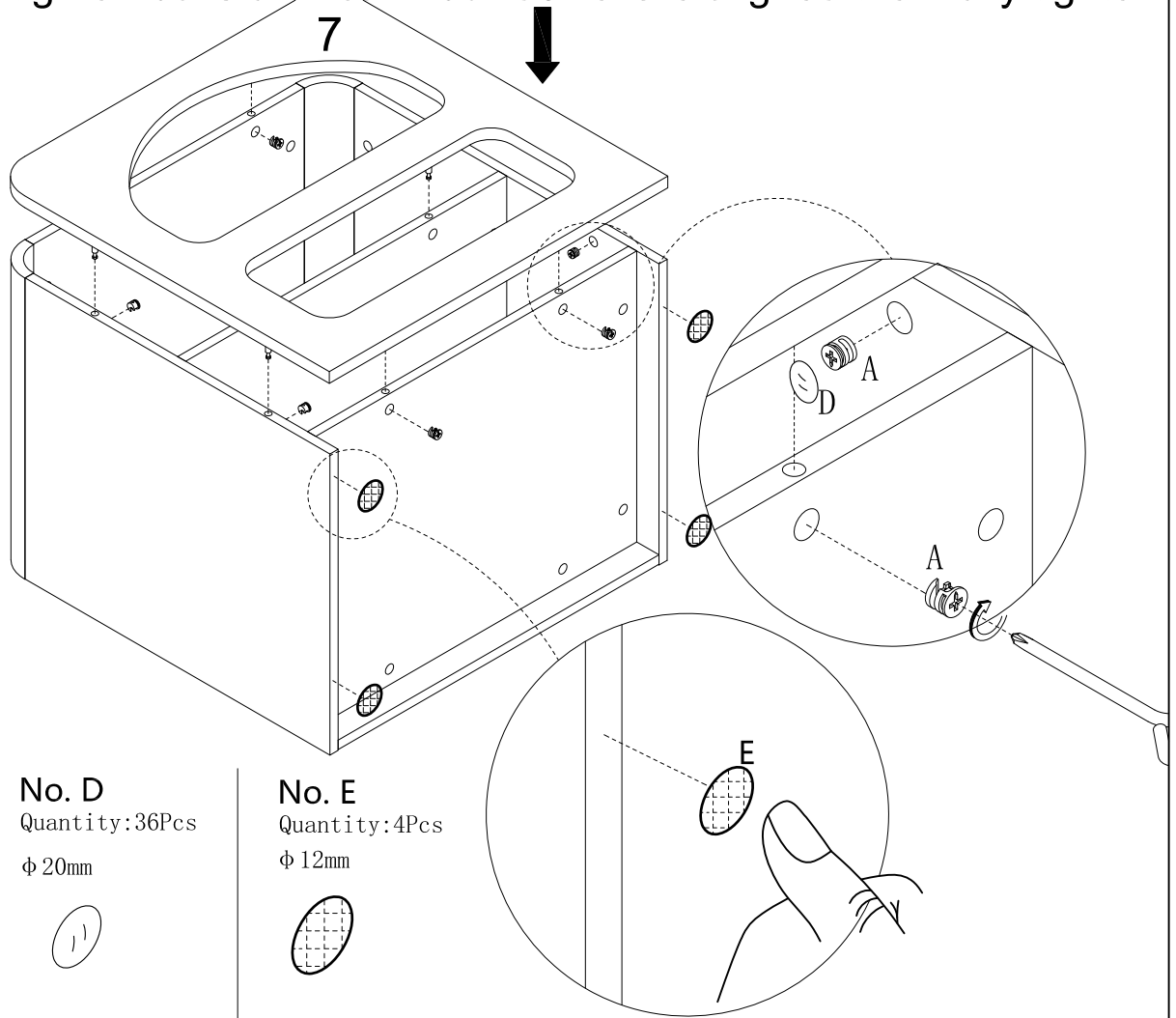
Quantity: 10 Pcs

Ø7\*19mm

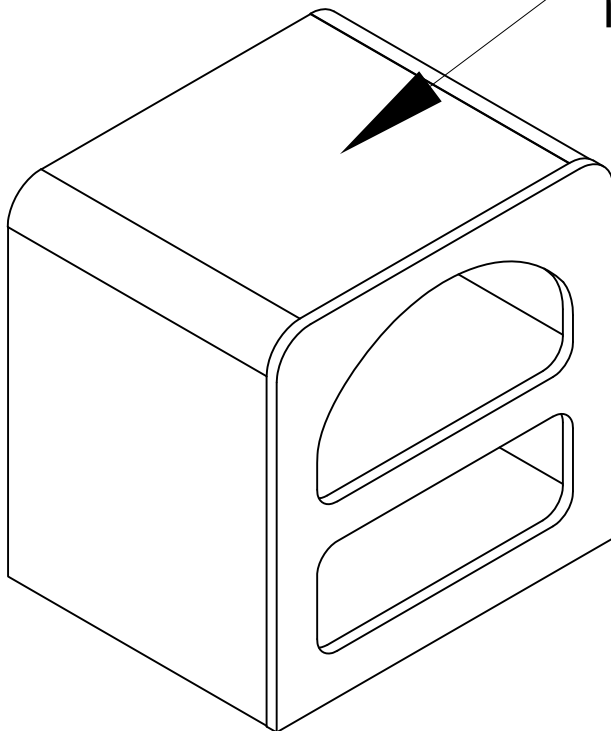


Do not tighten bolts until cam lock dowel are aligned then fully tighten

STEP 11



**Note:**  
Maximum Weight: 15 Kgs



lifely.com.au

Great job. You're done!

Don't forget to share how it looks in  
your space and tag us on Instagram.

@lifelyhome #homewithlifely!