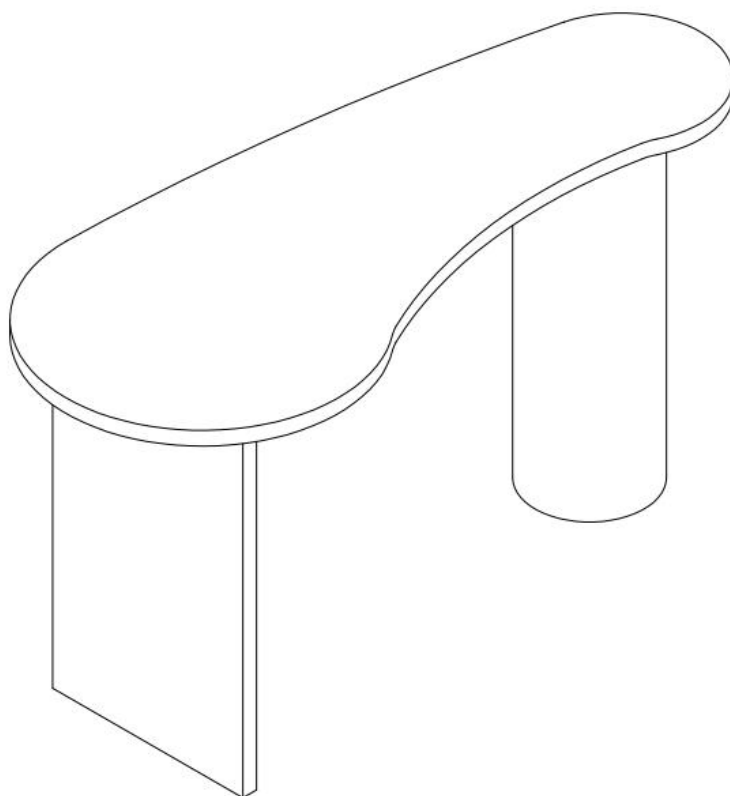


Assembly Instructions

Pebble Series



Lifely*

Product Code

PBLE-D140-WHT Pebble Desk

Dimensions(WxDxH)

1400x700x750mm

Important

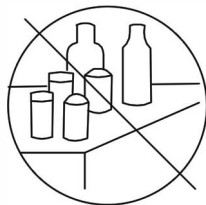
Please read through instruction carefully
Before assembly and keep for future
reference.

For our full catalogue of assembly
instructions, Visit: lifely.com.au/assembly.

Important Tips and Maintenance



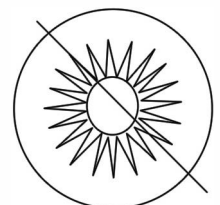
1. Keep children and animals away from working area as smaller parts may cause choking if swallowed.



2. Never place liquids or anything damp upon furniture as it will mark. Ensure a coaster or running is beneath.



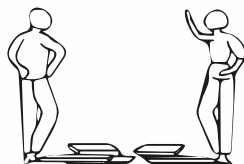
3. Never use ammonia based cleaning products as it will damage the finish.



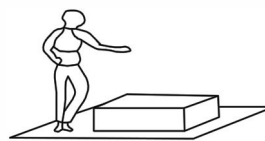
4. To avoid fading, keep furniture out of direct sunlight.



5. Use a soft or damp cloth (dry cloth) when wiping or cleaning surfaces.



6. Two person are required.



7. Lay a soft mat down to protect the furniture piece before and during assembly.

So your relationship is strong. But is it flat-pack furniture strong? Unless you're an aerospace engineer, assembling furniture can be slightly stressful. We recommend meditating quietly, pouring yourself a herbal tea (or slightly less herbal wine) and tackling things one step at a time. If you feel a passive aggressive remark coming on, try a compliment instead. E.g. "You're so good looking".

This 4-Step assembly should take around 20 minutes with an Allen Key-or 15 minutes with an electric drill. Godspeed.

Designed for everyday

Component Hardware

Please check you have all the fittings
part or tools are listed below.

No. A

Quantity:6Pcs
Screw M6*30



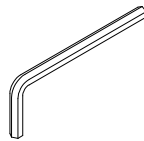
No. B

Quantity:24Pcs
Screw M6*20



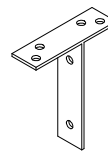
No. C

Quantity:1Pc
Allen key:M4



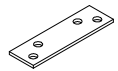
No. D

Quantity:3Pcs



No. E

Quantity:3Pcs



No. F

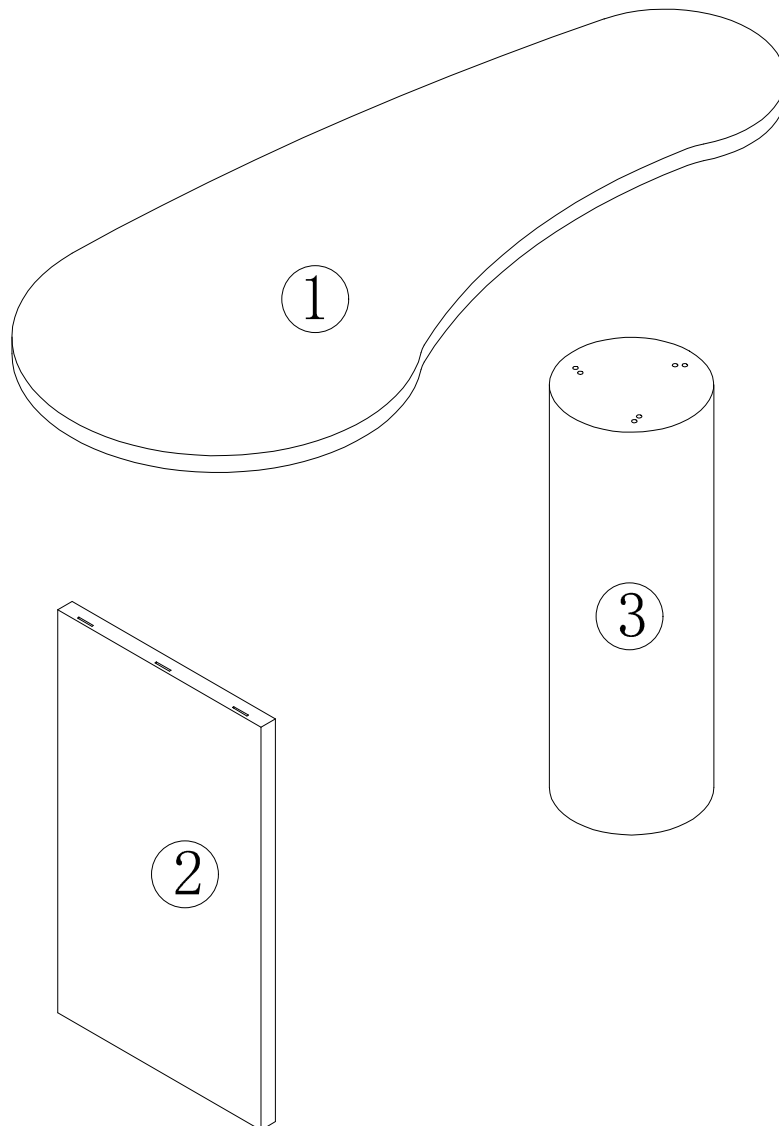
Quantity:6Pcs
Plastic cover



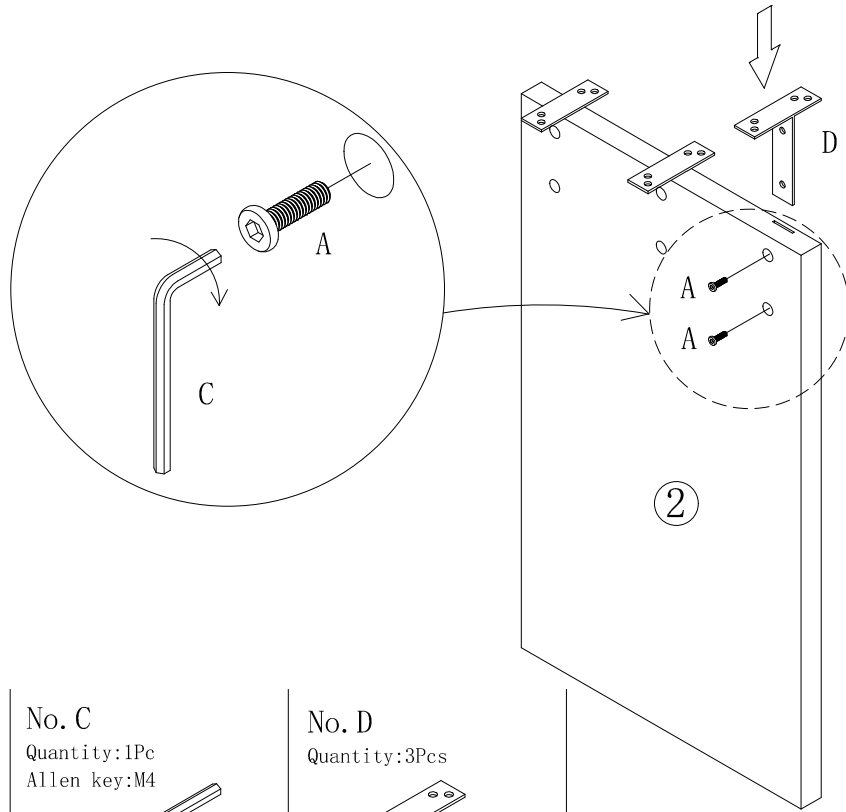
Component Panels & Part List

Please check you have all the panels
are listed below.

- 1. Table top----- x1 Carton 1/2
- 2. Rectangular leg----- x1 Carton 1/2
- 3. Round leg ----- x1 Carton 2/2



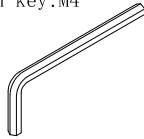
STEP 1



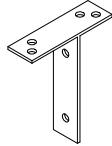
No. A
Quantity:6Pcs
Screw M6*30



No. C
Quantity:1Pc
Allen key:M4

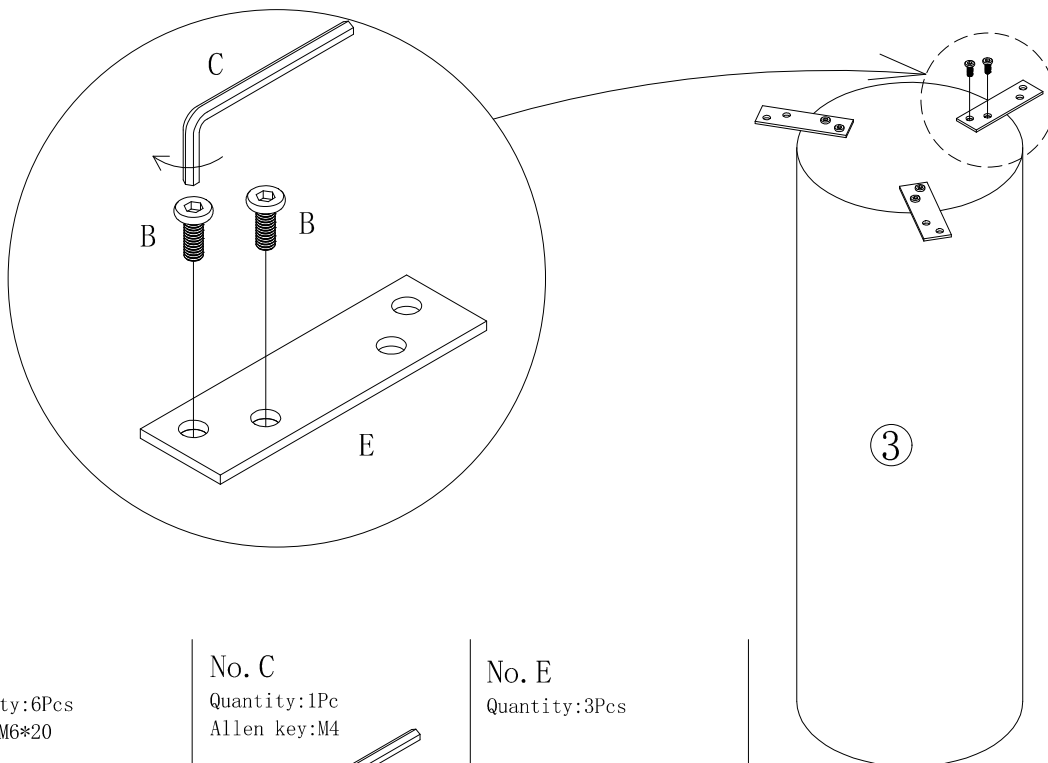


No. D
Quantity:3Pcs



PBLE-D140-WHT 6

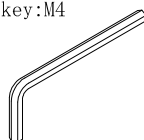
STEP 2



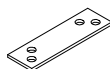
No. B
Quantity:6Pcs
Screw M6*20



No. C
Quantity:1Pc
Allen key:M4

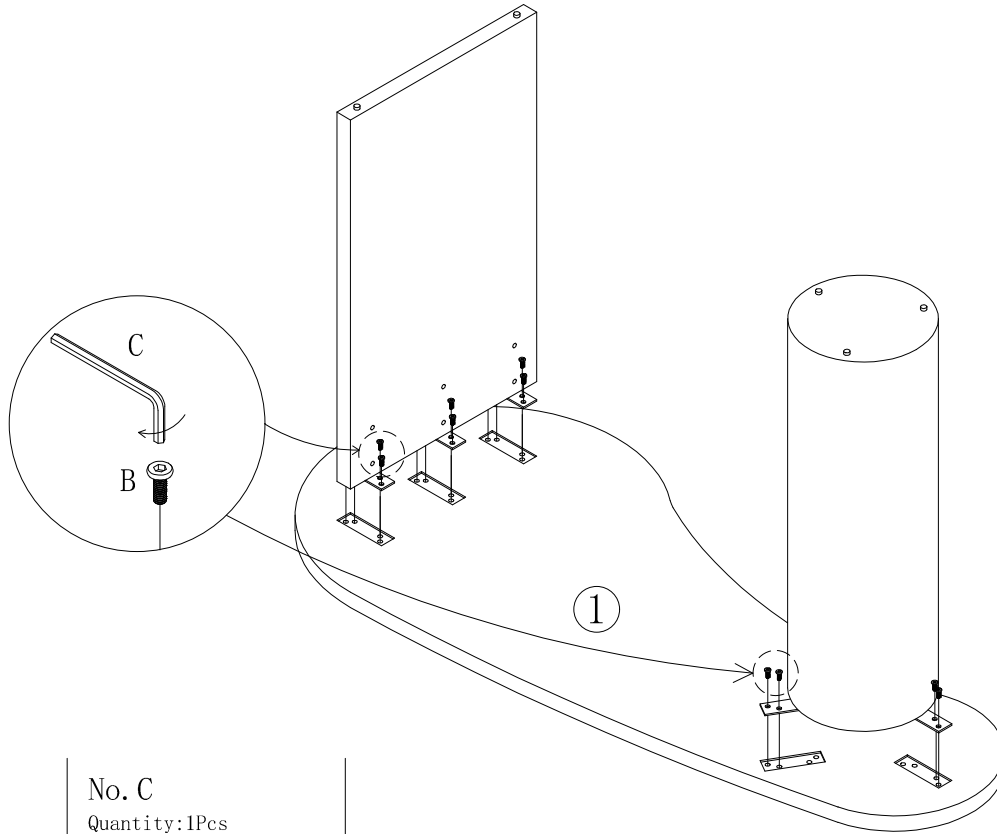


No. E
Quantity:3Pcs



PBLE-D140-WHT 7

STEP 3



No. B
Quantity: 18Pcs
Screw M6*20

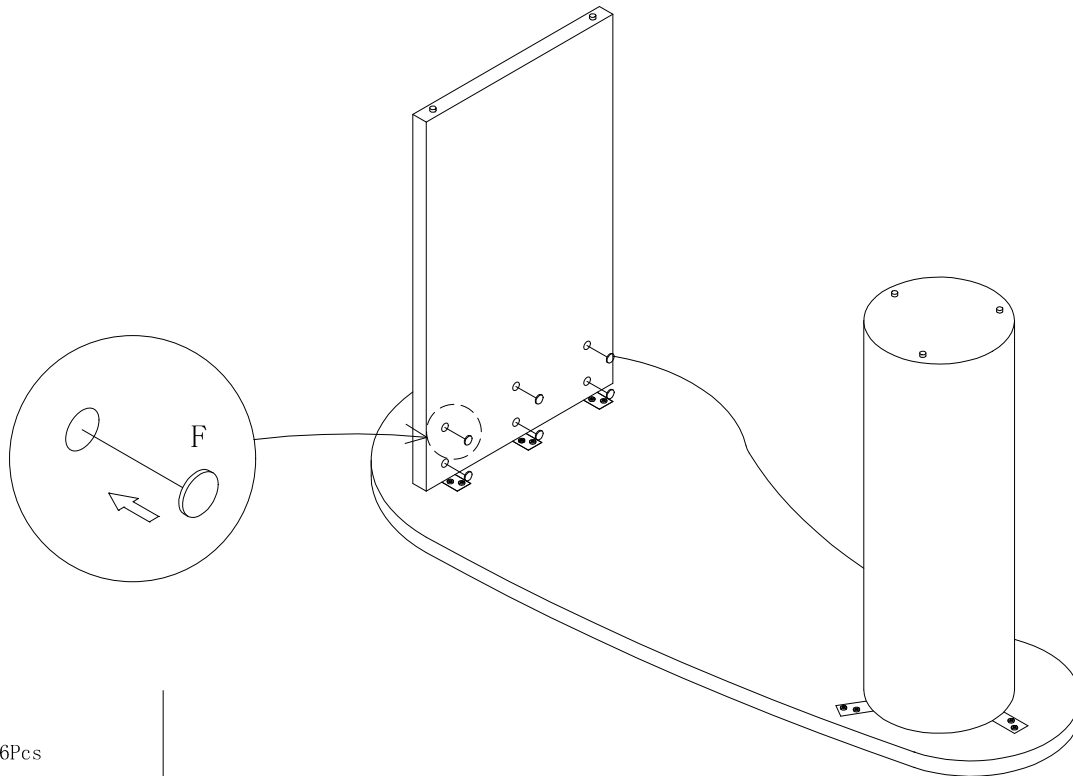


No. C
Quantity: 1Pcs
Allen key: M4



PBLE-D140-WHT 8

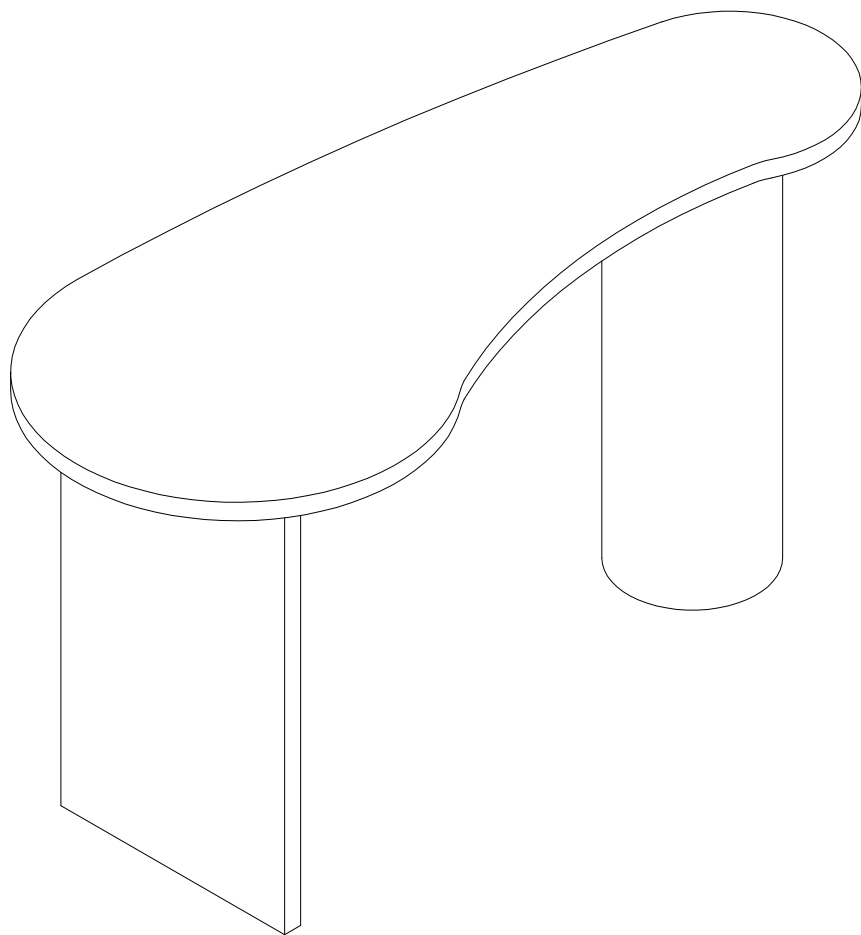
STEP 4



No. F
Quantity: 6Pcs
Plastic cover



PBLE-D140-WHT 9



lifely.com.au

Great job. You're done!

Don't forget to share how it looks in
your space and tag us on Instagram.

@lifelyhome#homewithlifely!