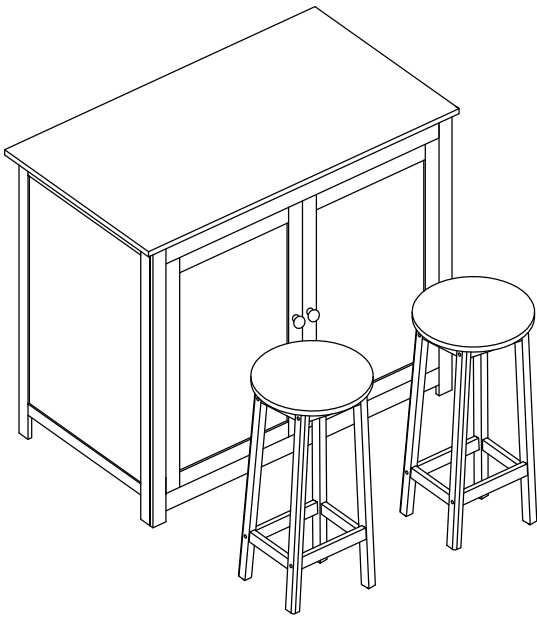
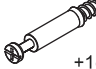



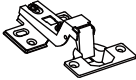



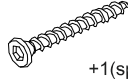


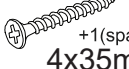

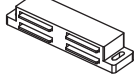




ASSEMBLY INSTRUCTION

FZ0030050

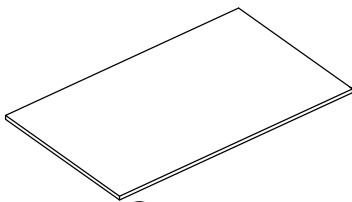
V. 260324. 04



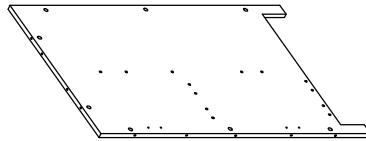
 +1(spare) Ax43pcs	 +1(spare) Bx43pcs	 +1(spare) 6x30mm Cx56pcs	 +1(spare) 4x14mm Dx24pcs
 Ex4pcs	 4x16mm Fx2pcs	 Gx2pcs	 +1(spare) 4x30mm Hx10pcs
 +1(spare) Ix16pcs	 Jx1pc	 +1(spare) Kx24pcs	 +1(spare) 4x35mm Lx8pcs
 FZ0030050	 Mx2pcs	 3x12mm Nx8pcs	 Ox4pcs



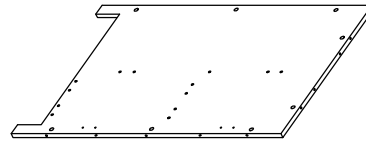
Scanning the QR code to open assembly instructions.



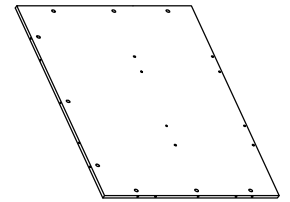
① x1pc



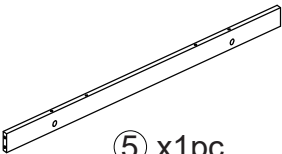
② x1pc



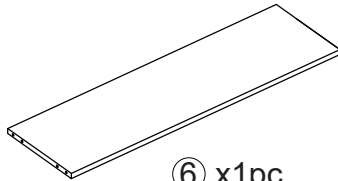
③ x1pc



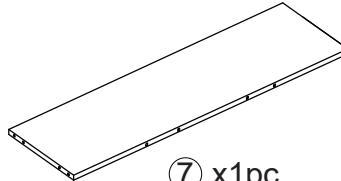
④ x1pc



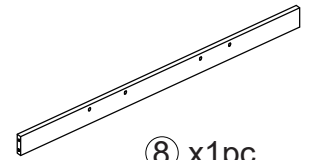
⑤ x1pc



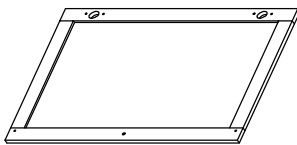
⑥ x1pc



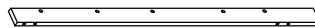
⑦ x1pc



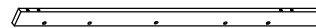
⑧ x1pc



⑨ x2pcs



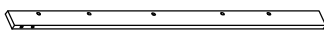
⑩ x1pc



⑪ x1pc



⑫ x1pc



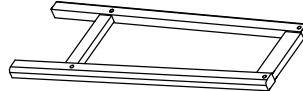
⑬ x1pc



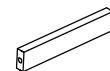
⑭ x4pcs



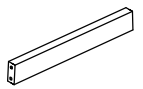
⑮ x2pcs



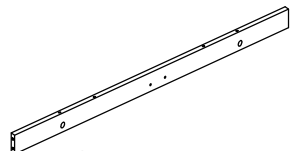
⑯ x4pcs



⑰ x4pcs



⑱ x4pcs

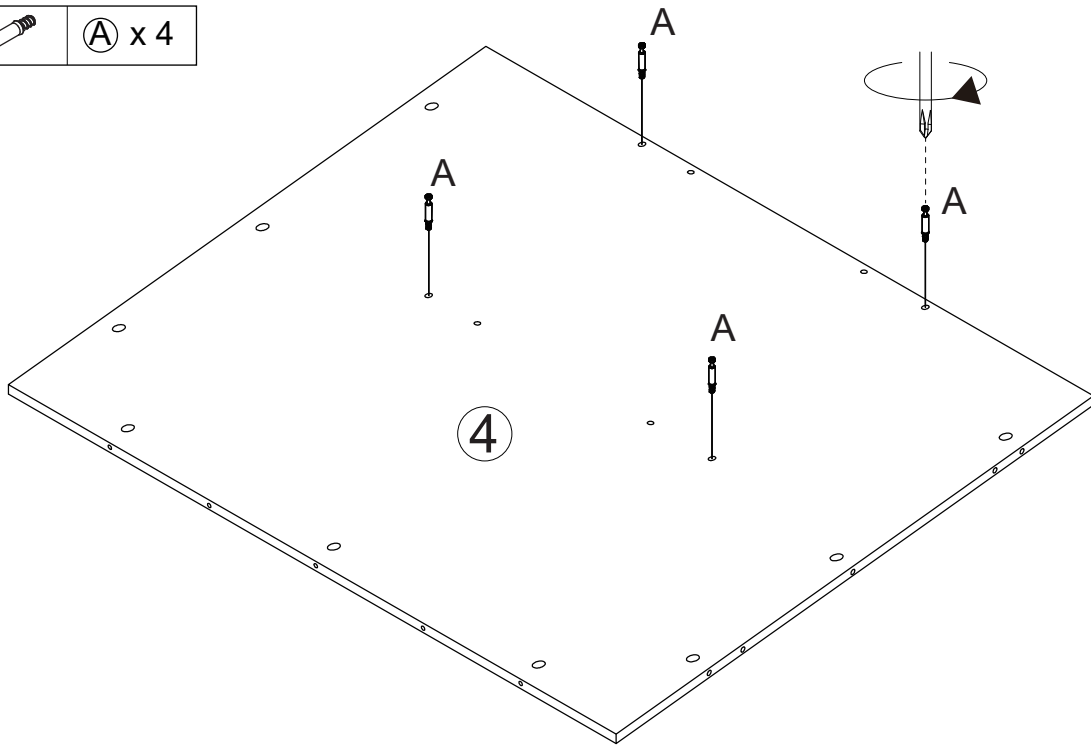


⑲ x1pc

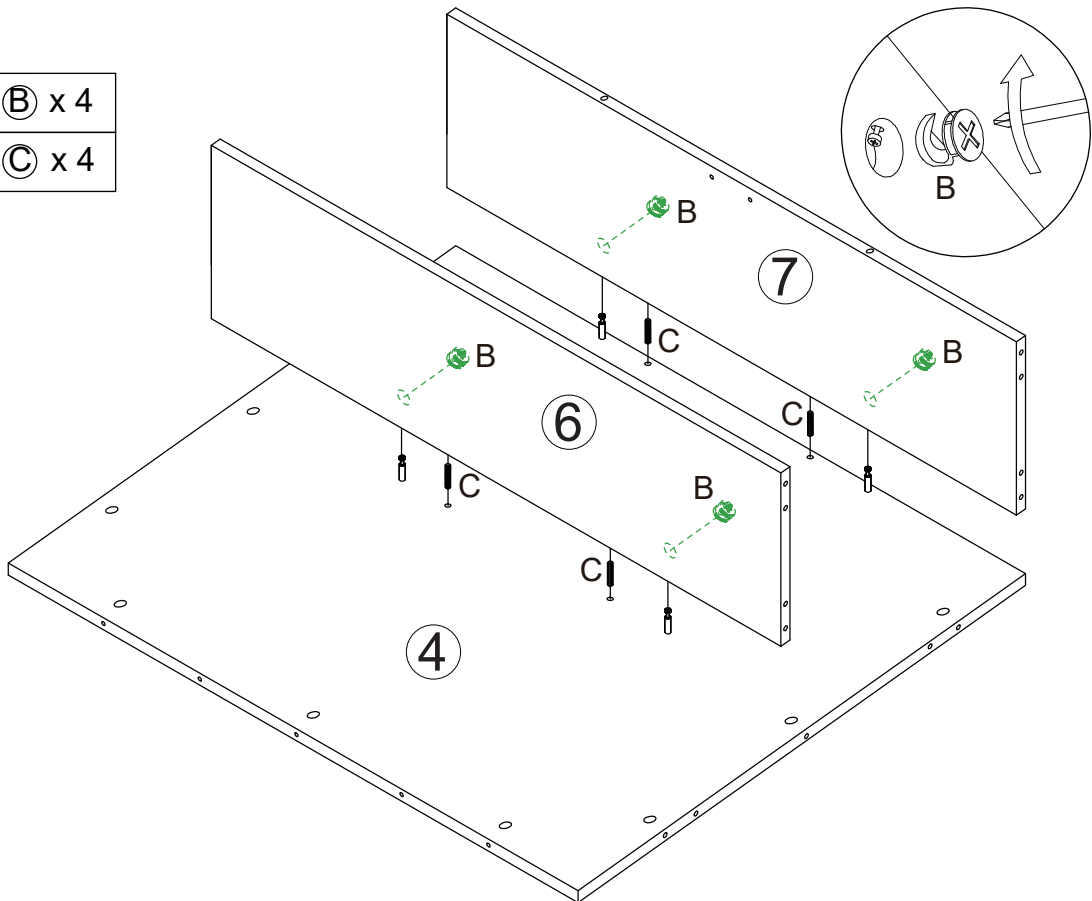
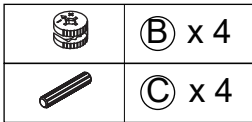


⑳ x1pc

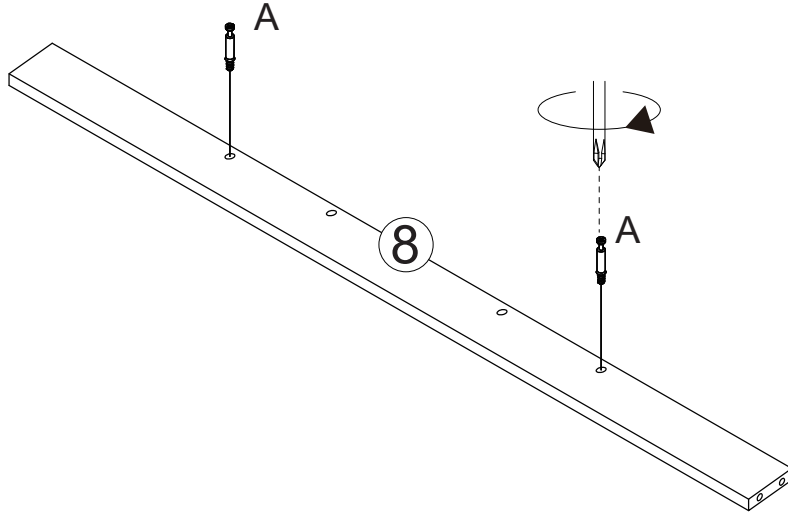
<1>



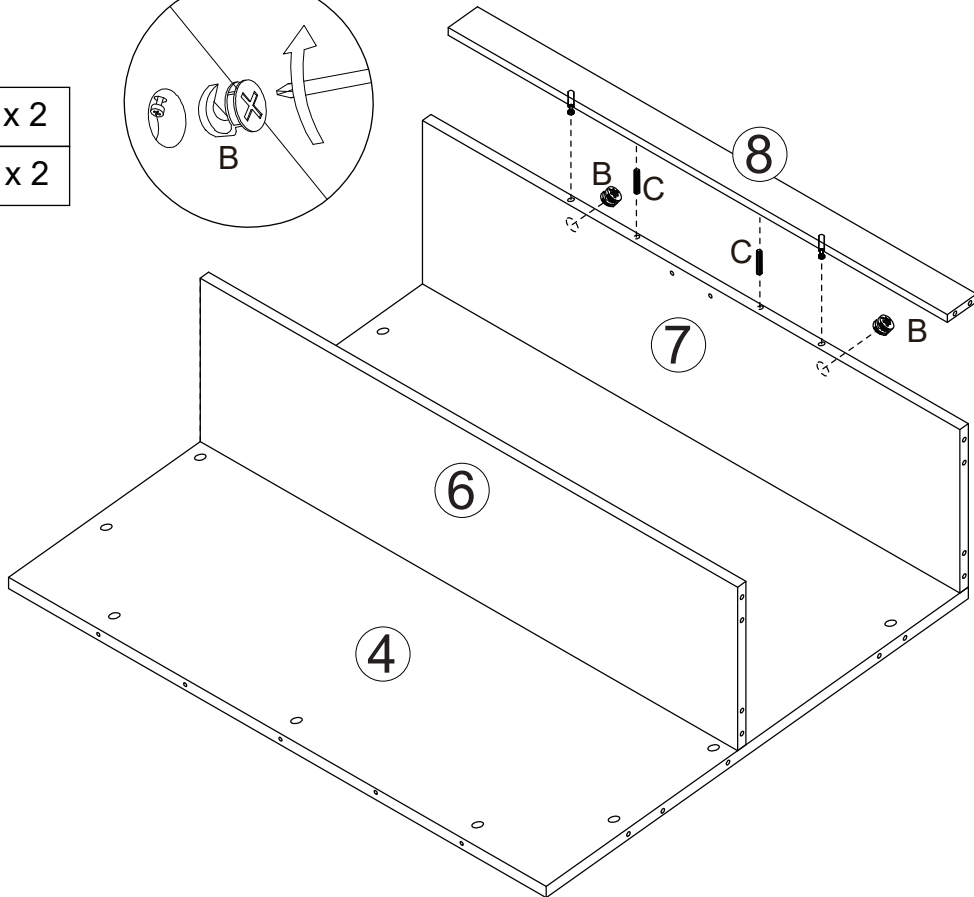
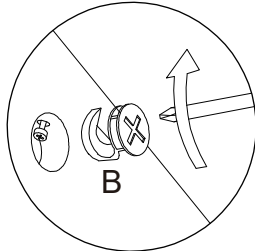
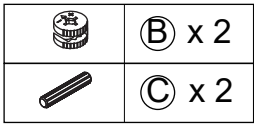
<2>



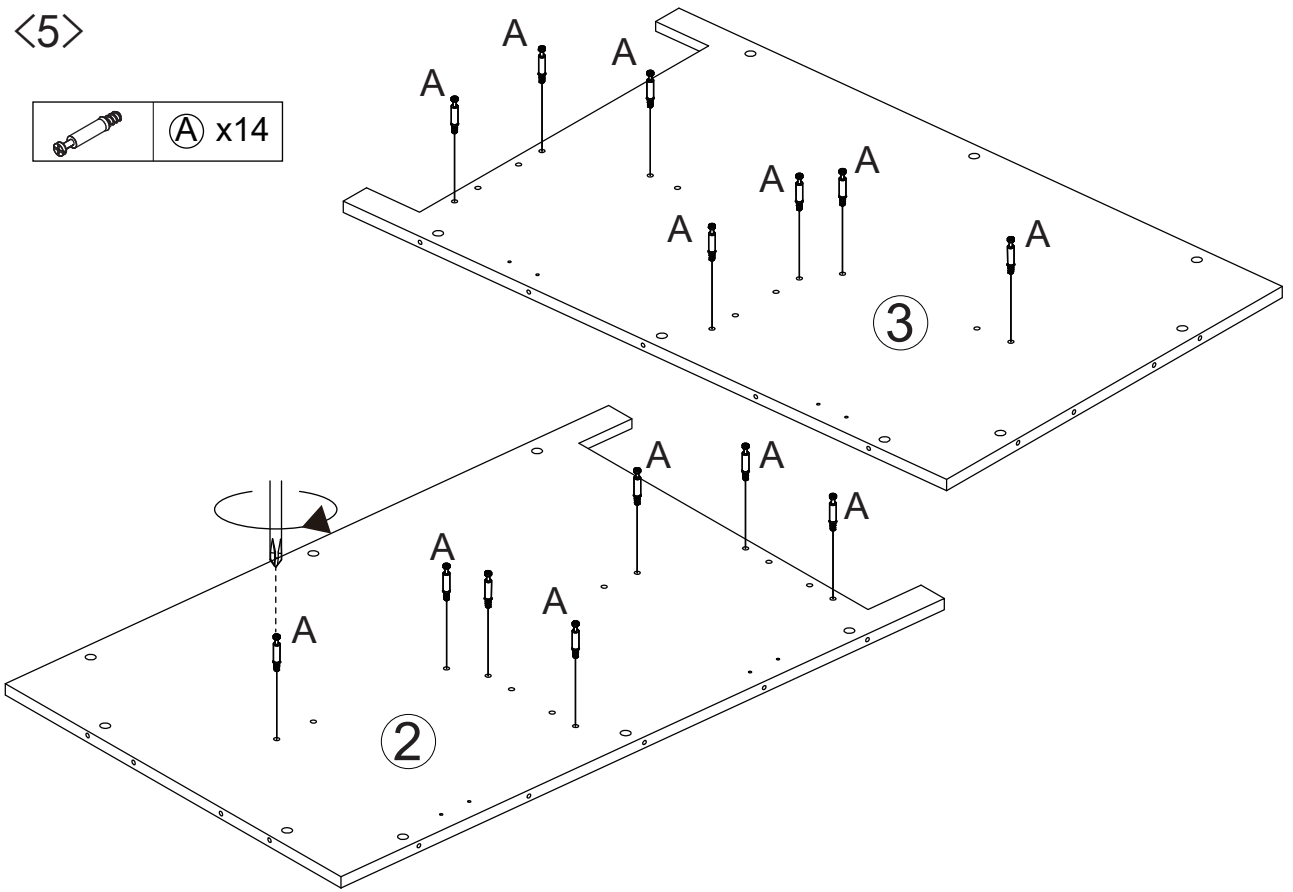
<3>



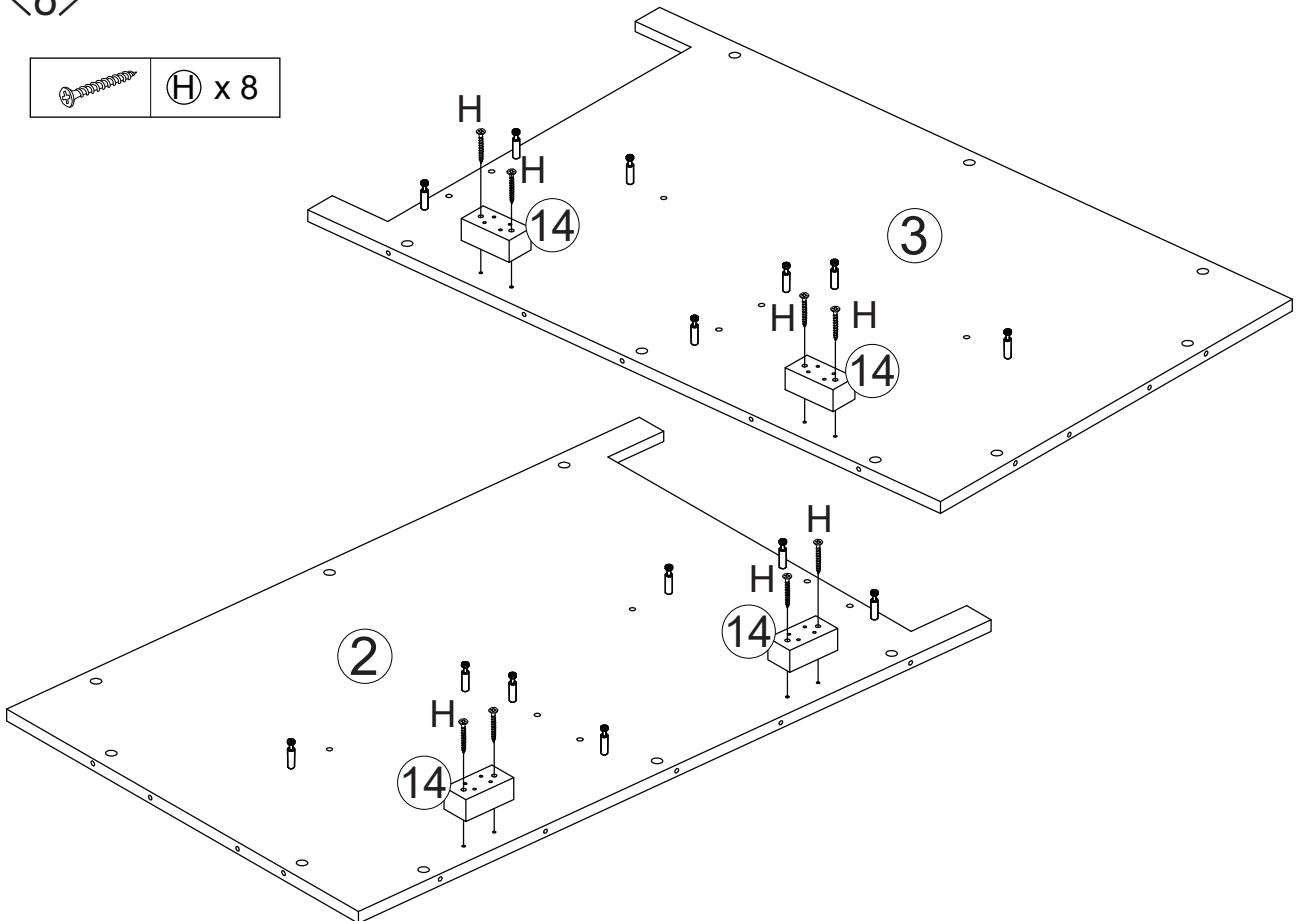
<4>



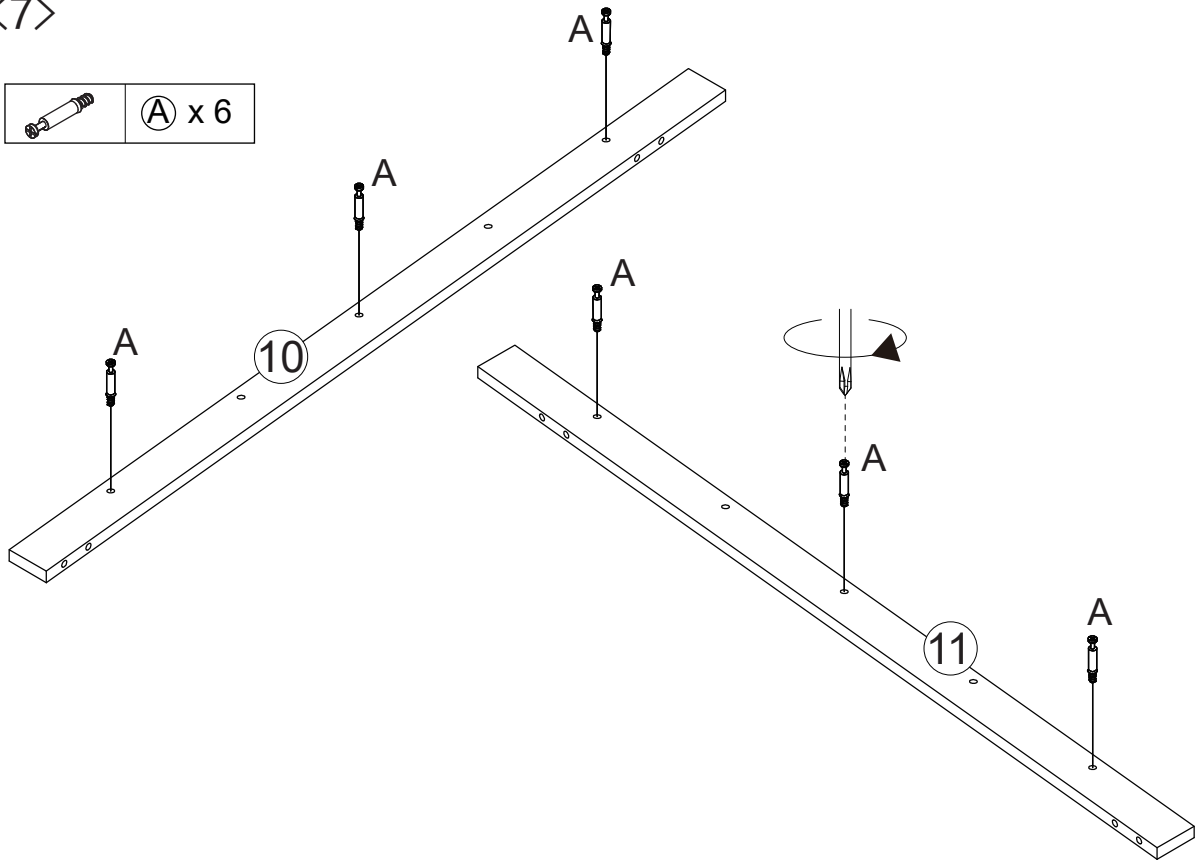
<5>



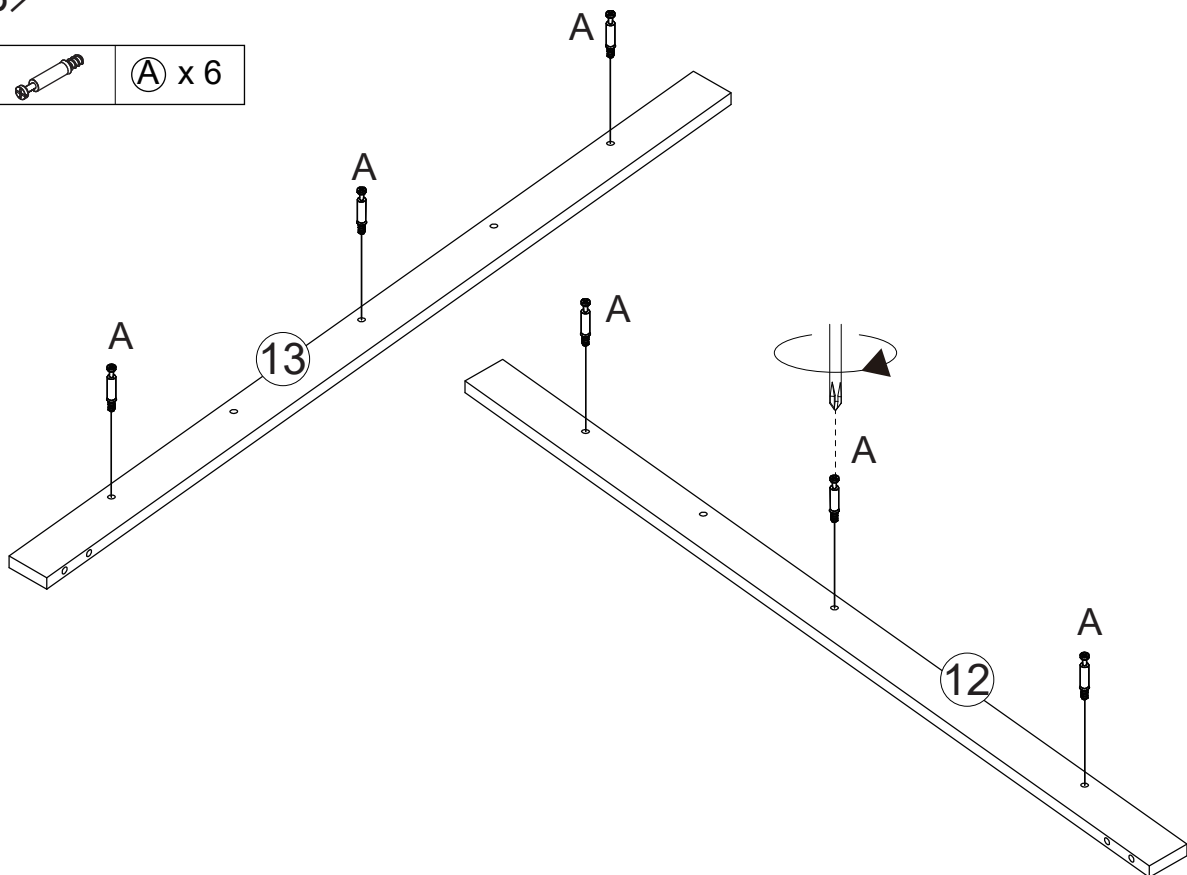
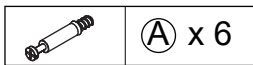
<6>





<7>

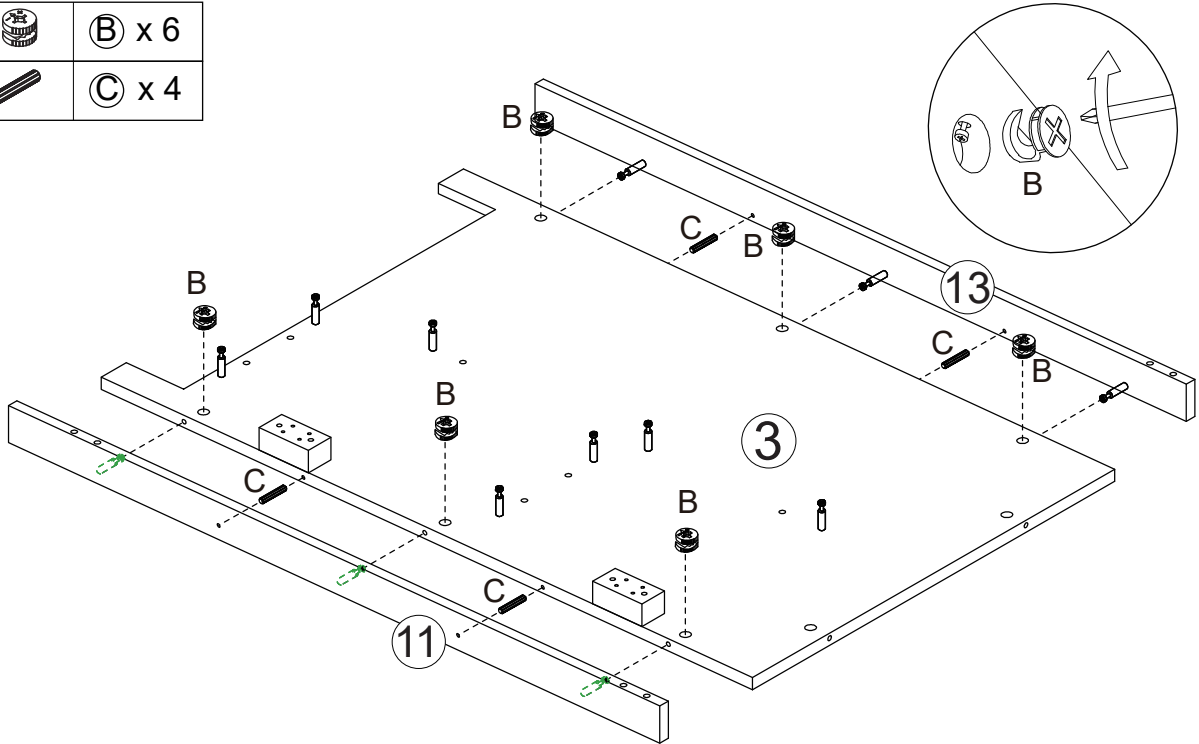


<8>





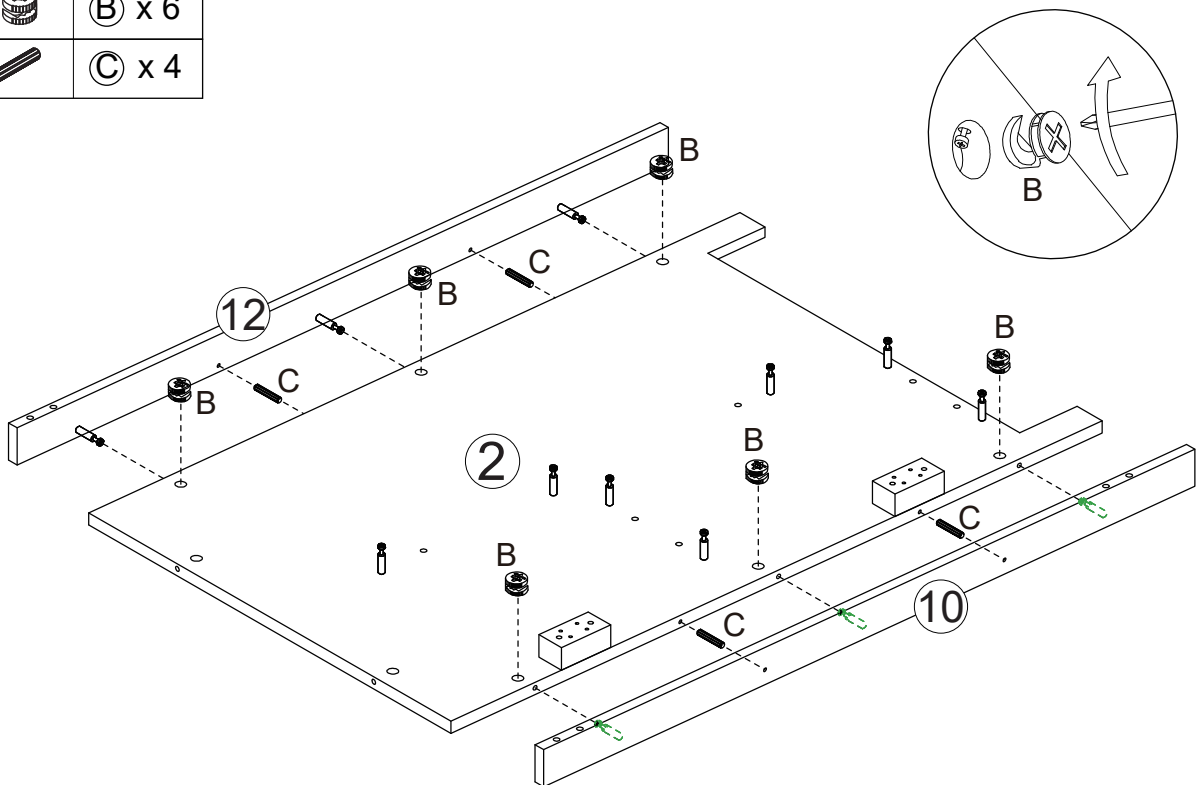
<9>

	B x 6
	C x 4





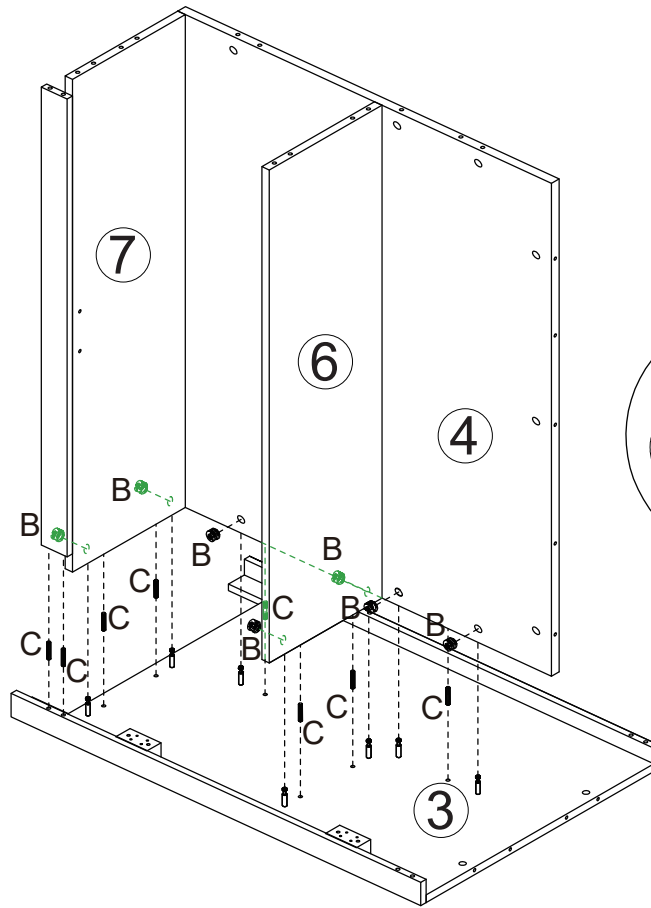
<10>

	B x 6
	C x 4





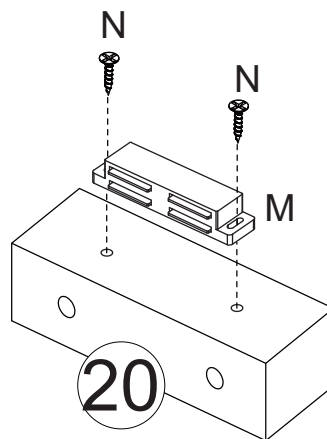
<11>

	B x 7
	C x 8

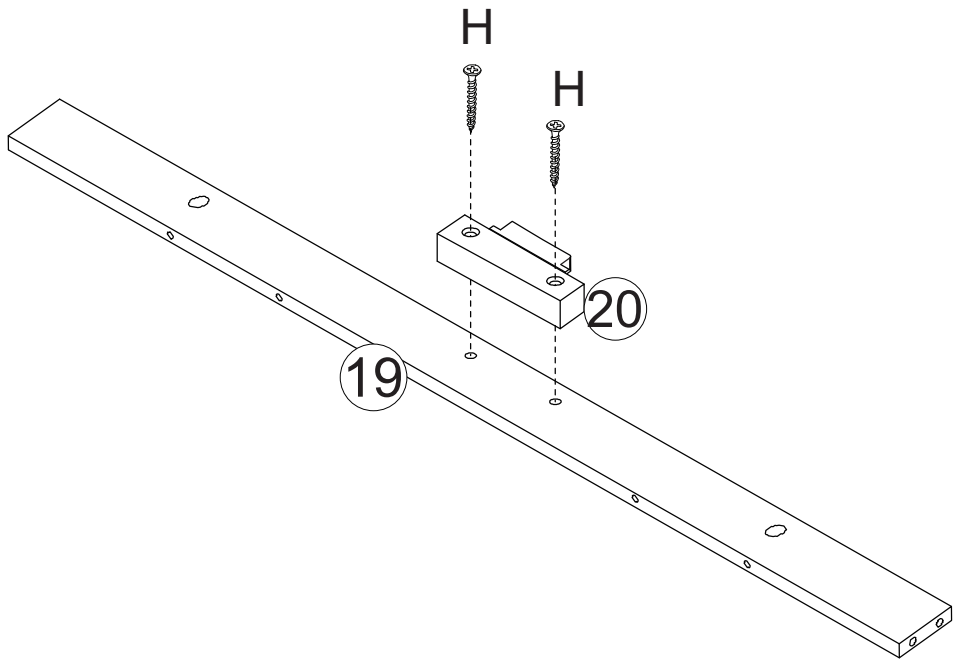


<12>

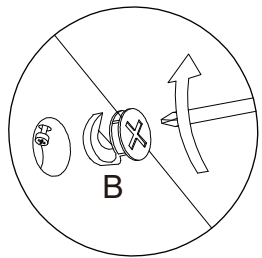
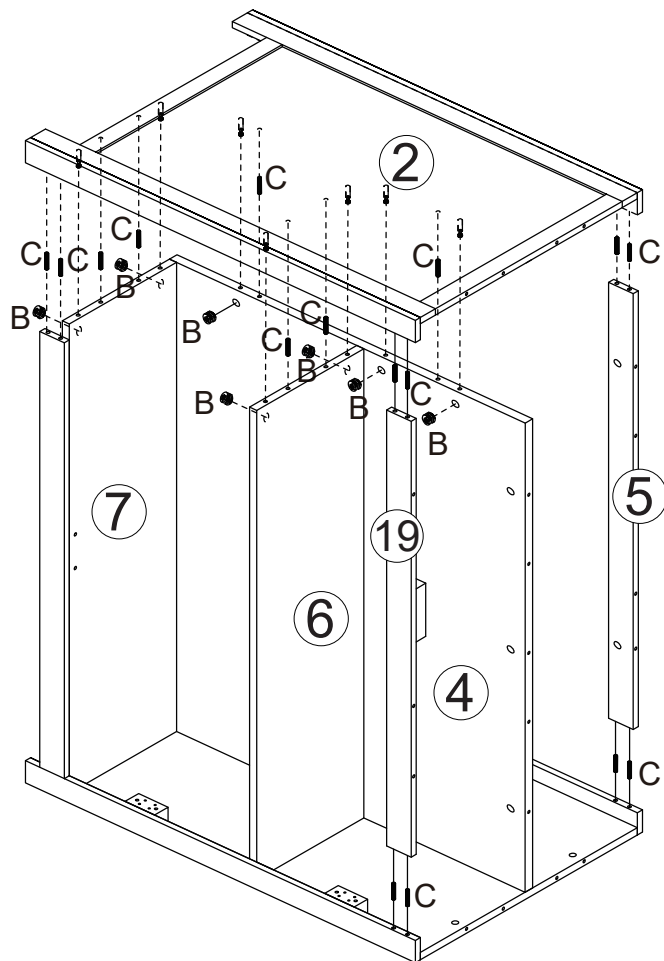
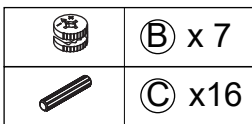
	M x 1
	N x 2




<13>

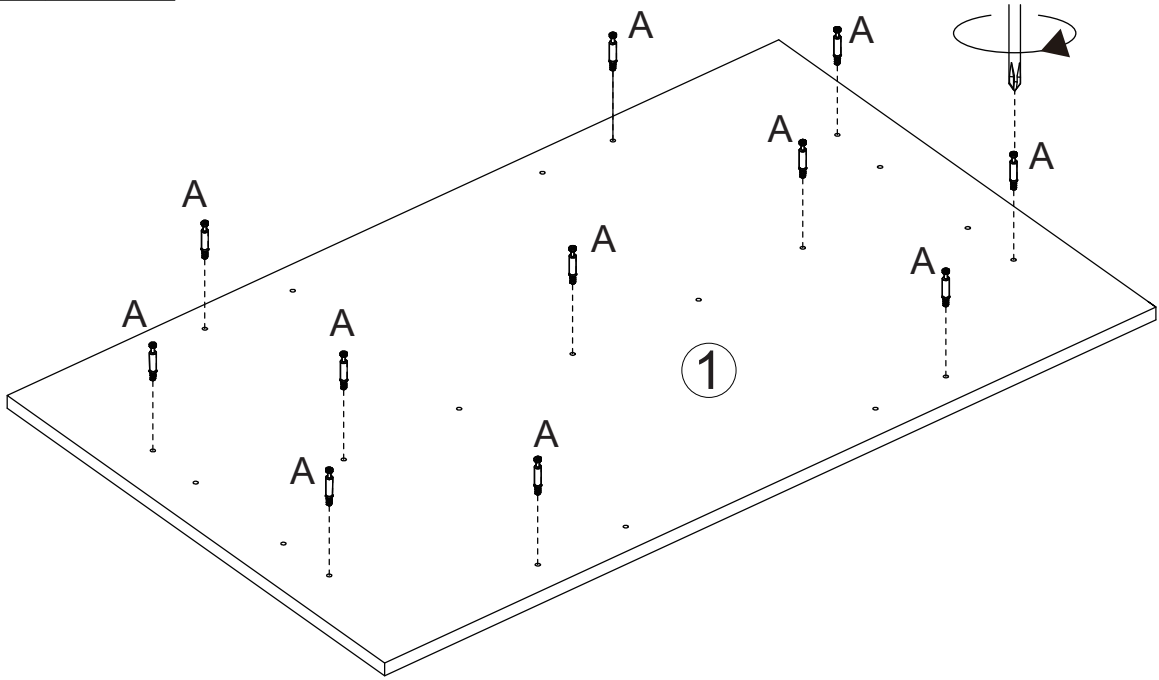


<14>







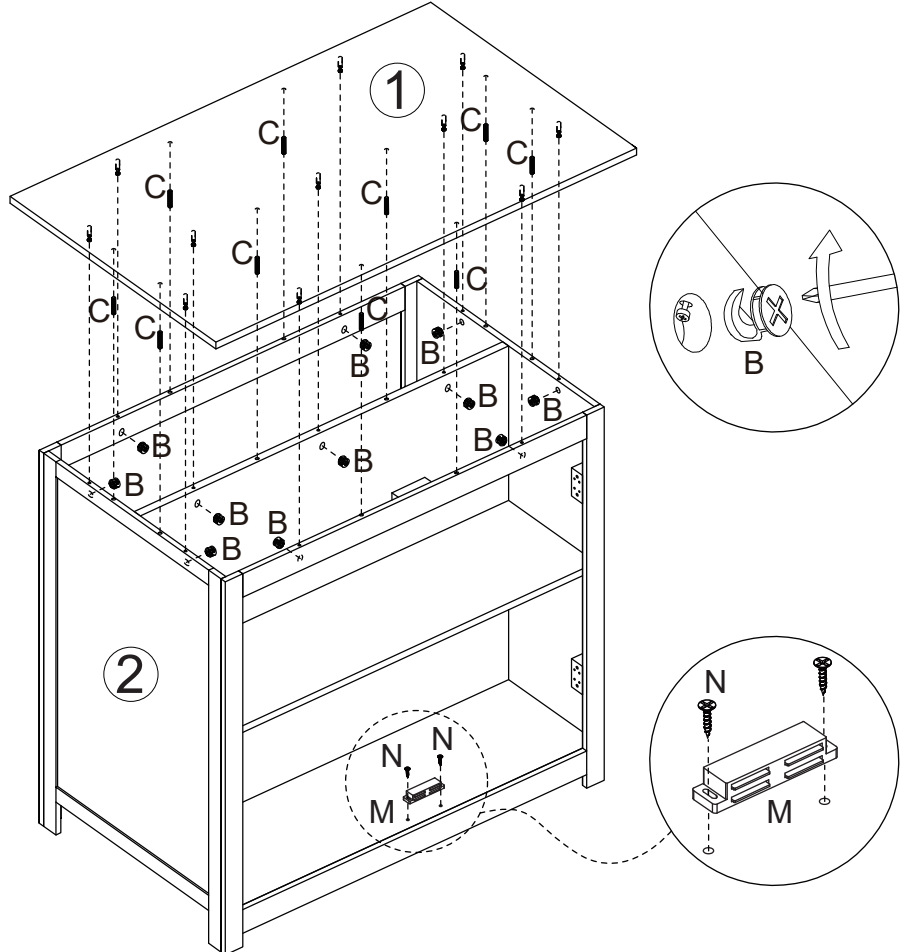
<15>

	Ⓐ x11
---	-------



<16>

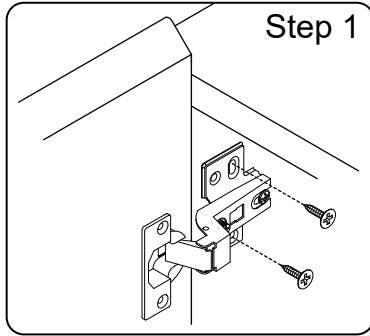
	Ⓑ x11
	Ⓒ x10
	Ⓜ x 1
	Ⓝ x 2



Adjustment Diagram for Hinge

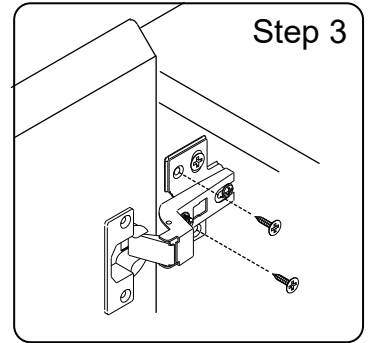
Installation Notes:

To prevent issues such as uneven gaps during door installation, we have provided detailed instructions for adjusting the hinges below.



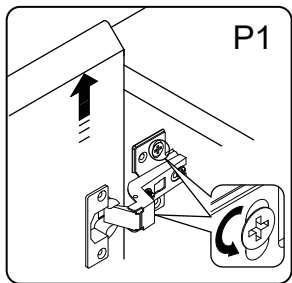
General Instructions:

- To adjust the door position, you will need to loosen or tighten the screws on the hinge.
- It's important to adjust the screws in the elliptical hole positions as shown in the adjustment diagram.
- Ensure to adjust all hinges as described for uniformity.



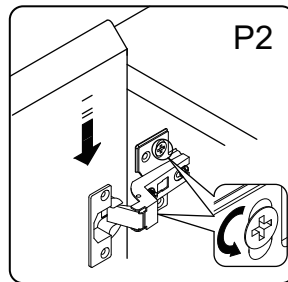
Adjustment Instructions:

Step 2



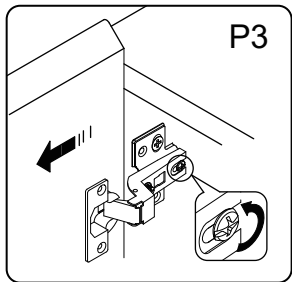
1. Raising the Door:

- Loosen the screw on the hinge in a counterclockwise direction at position P1.
- Lift the door to the desired height.
- Tighten the screw clockwise to secure the door in place.



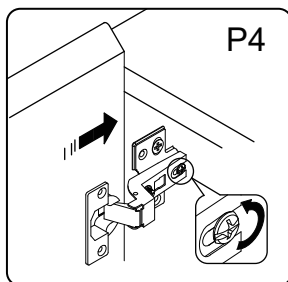
2. Lowering the Door:

- Loosen the screw counterclockwise at position P2.
- Lower the door to the correct position.
- Tighten the screw clockwise to secure.



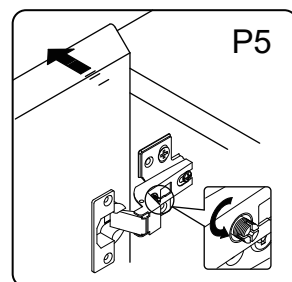
3. Moving the Door Closer to the Cabinet Frame:

- To move the door closer, loosen the screw counterclockwise at position P3.
- Pull the door outward to adjust, then tighten the screw clockwise.



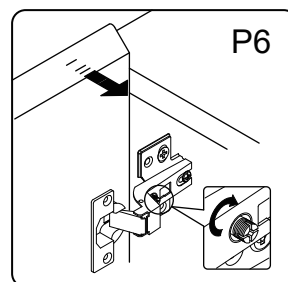
4. Pushing the Door Away from the Cabinet Frame:

- Loosen the screw counterclockwise at position P4 for adjustment.
- Push the door inward to the correct position, then tighten the screw clockwise.



5. Reducing the Gap Between the Door and Side Panel:

- Rotate the screw counterclockwise at position P5 for adjustment.



6. Increasing the Gap Between the Door and Side Panel:

- Rotate the screw counterclockwise at position P6 to adjust.


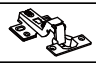




Final Step:

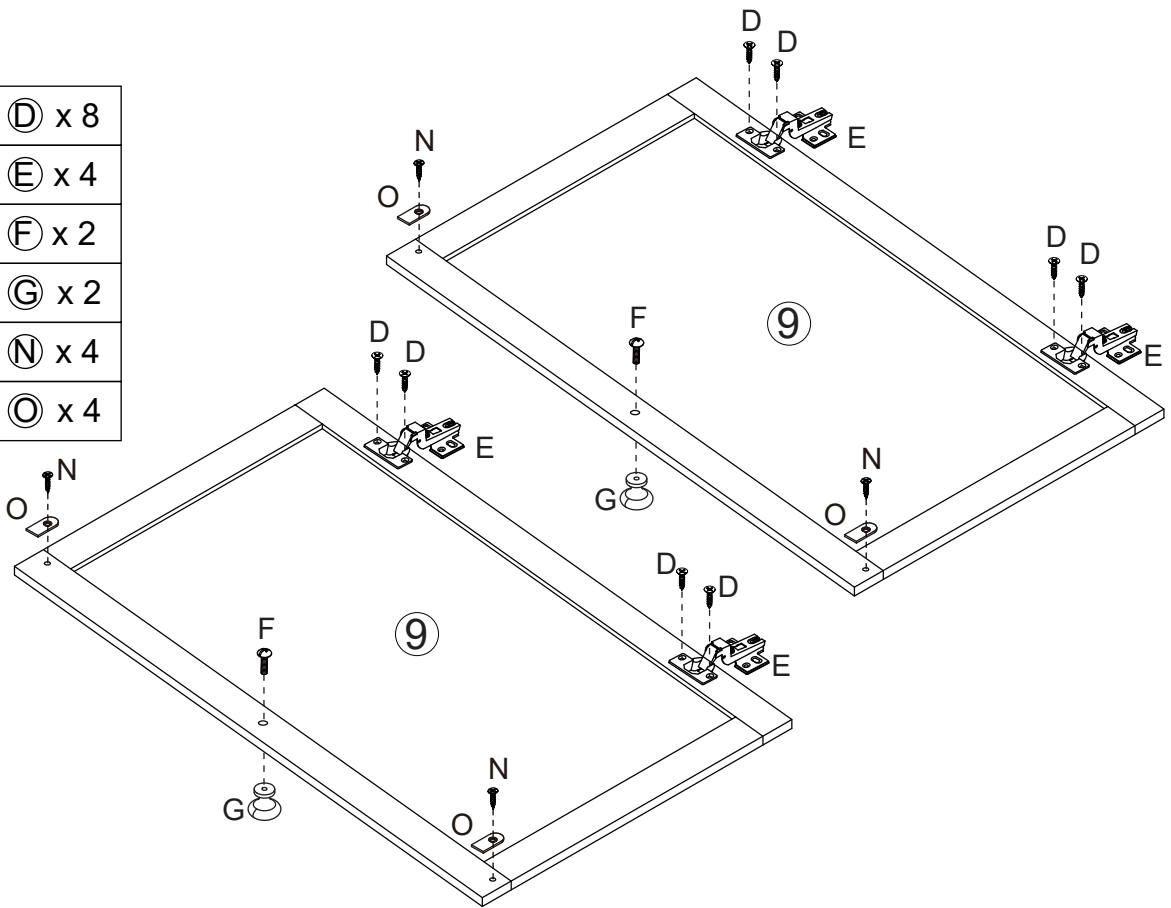
- After making the necessary adjustments, tighten the screws of all hinges clockwise to complete the installation of the door.

Adjustment Diagram for Hinge:

- Please refer to the adjustment diagram from P1 to P6 for a visual guide on how to make these adjustments.

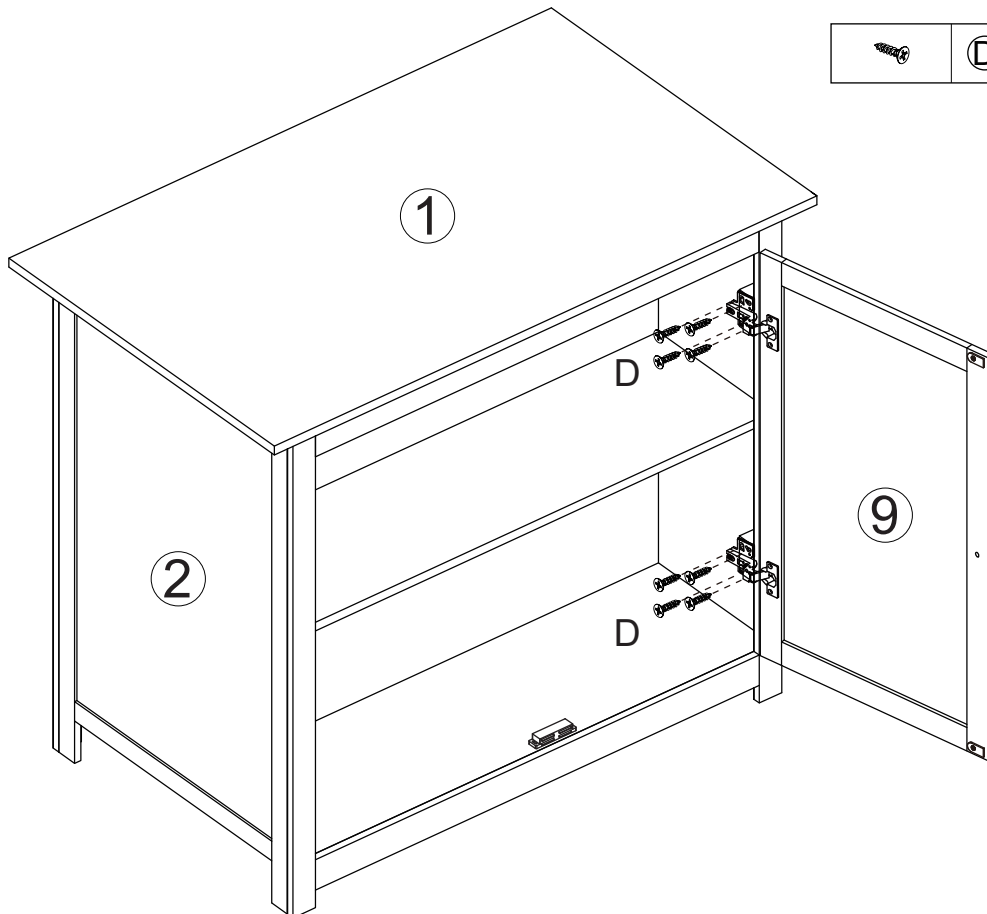
<17>

	ⓓ x 8
	ⓔ x 4
	ⓕ x 2
	ⓖ x 2
	ⓓ x 4
	ⓐ x 4




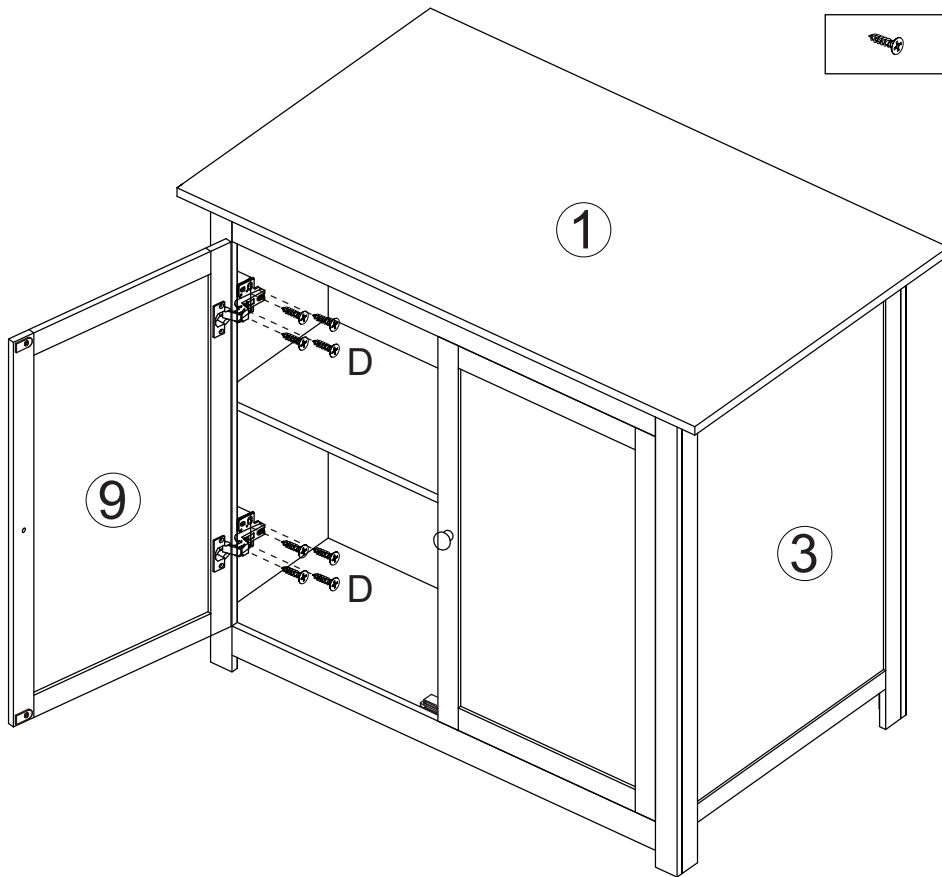
<18>

	ⓓ x 8
---	-------




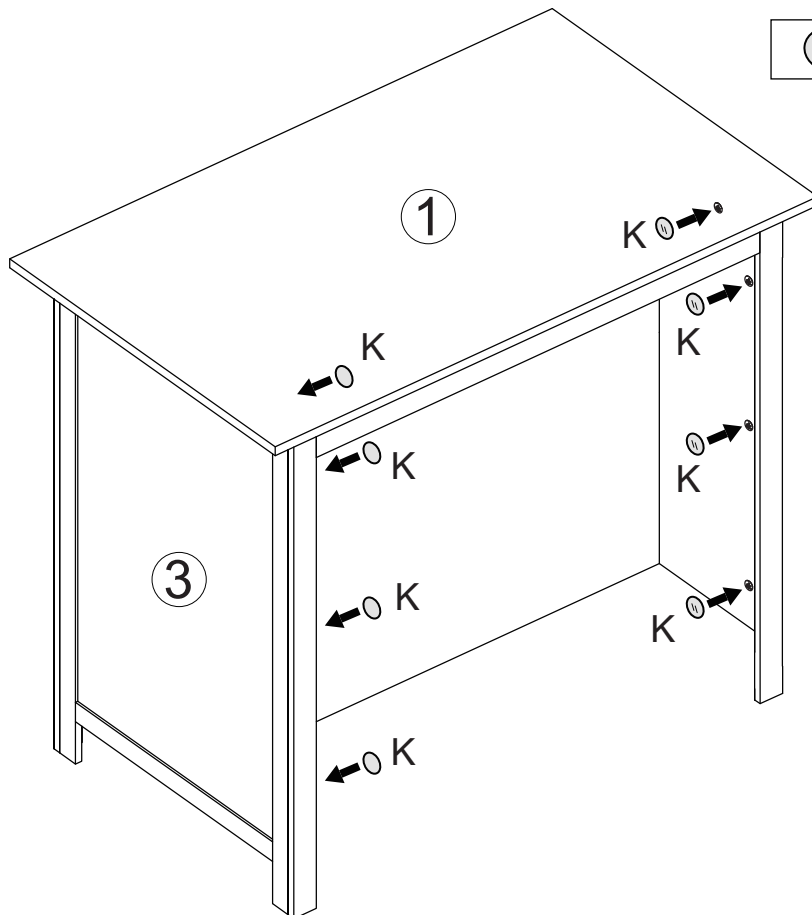
<19>

 **D** x 8

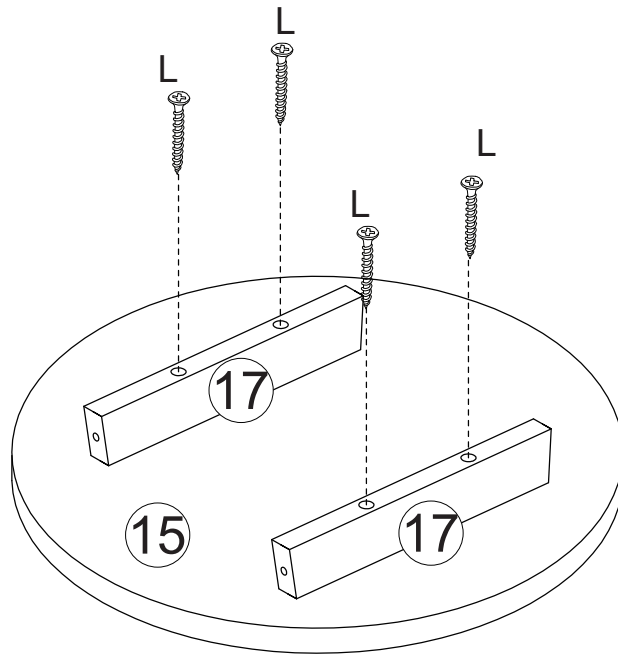
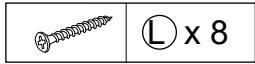


<20>

 **K** x 8

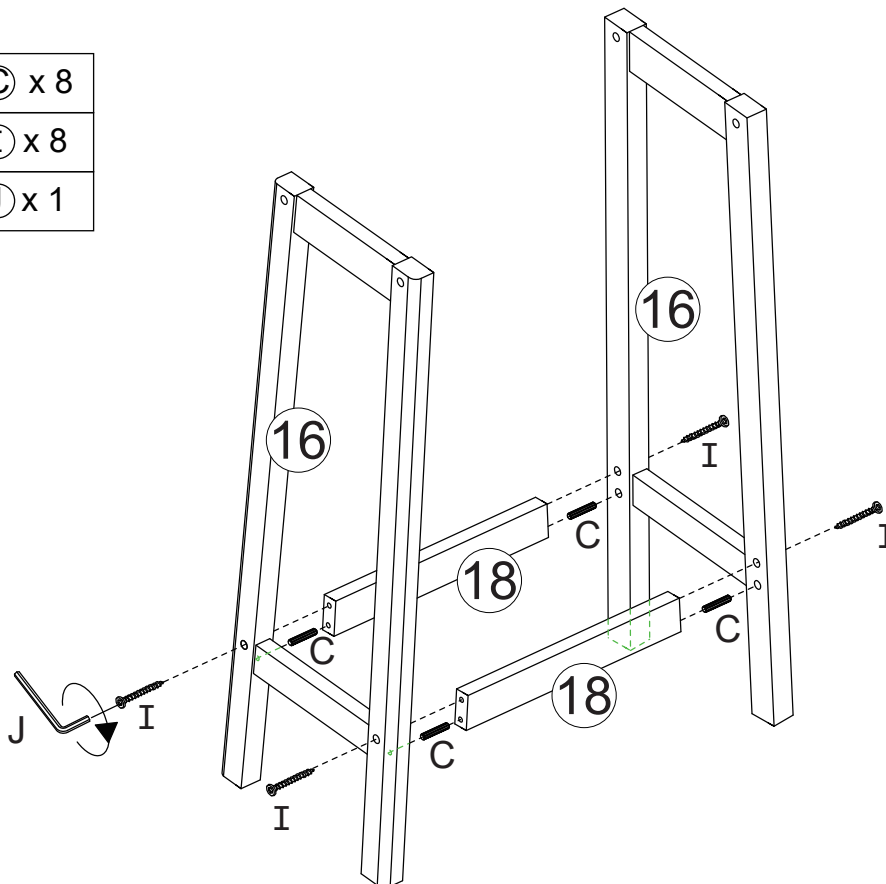
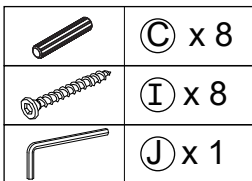


<21>



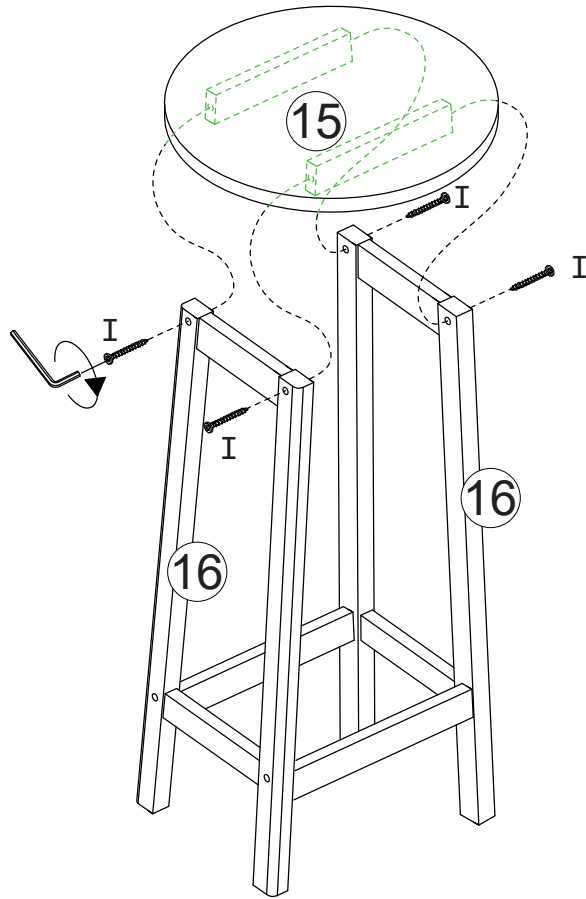
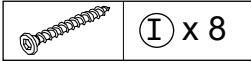
x2

<22>



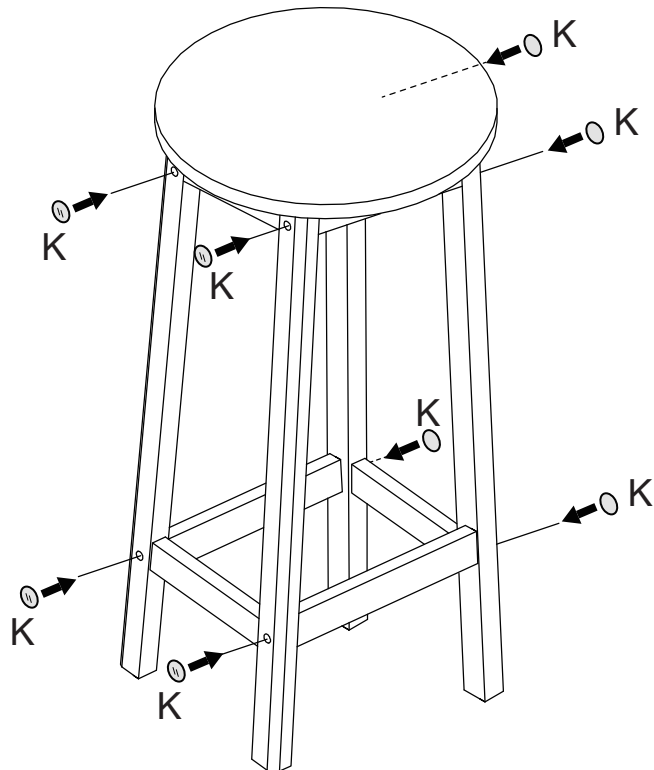
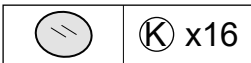
x2

<23>



x2

<24>



x2

<25>

