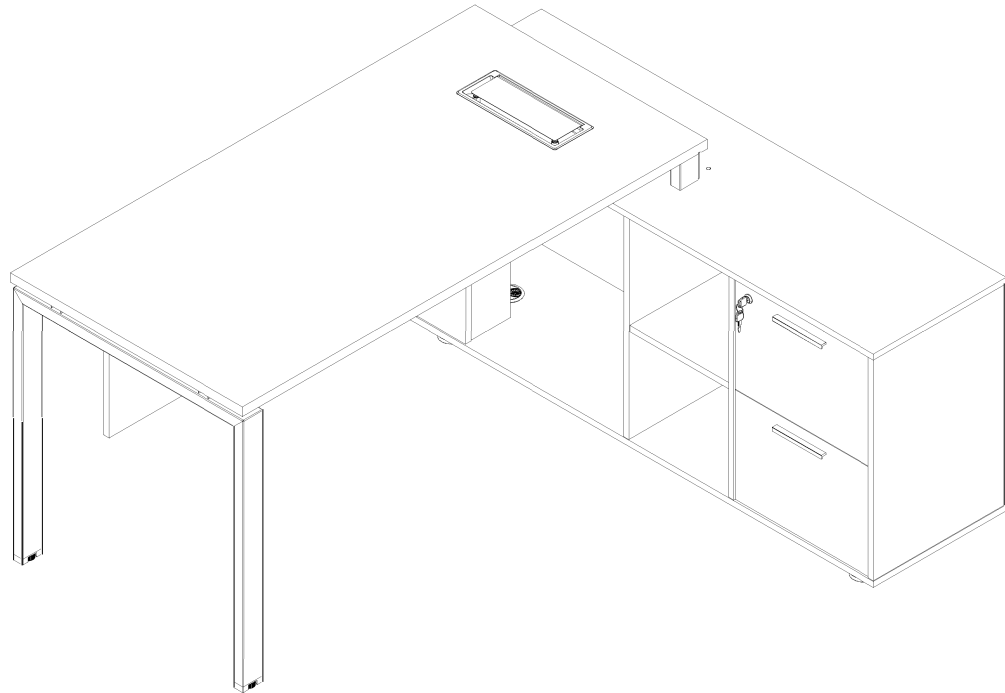


DG05-D0316 Executive Desk

ASSEMBLY INSTRUCTION

The DG05-D0316 executive desk should be packaged in 4 cartons.
The cartons should be marked as 1 of 4, 2 of 4, 3 of 4 and 4 of 4

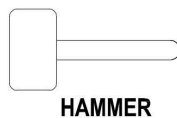


DG05 Series Executive Desk	Model No.	Dimension	Carton Qty
	DG05-D0316W	1600W*1400D*750H	4

120 MINS

**2 PERSONS
ASSEMBLY**

REQUIRED ASSEMBLY TOOLS



EMERY L-SHAPED EXECUTIVE DESK

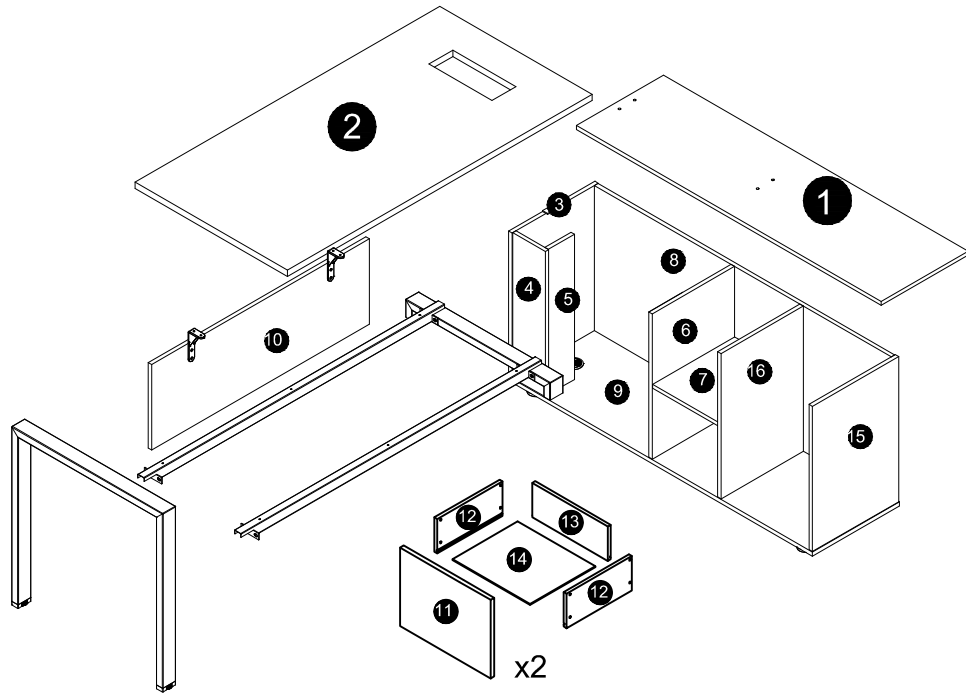
ITEM NO: DIO-DG05-D0316MW

Tips before you start:

1. Please check that all parts are present before you start the assembly of your furniture.
2. For ease and speed of assembly, we recommend that before you commence each step of the assembly, that you identify all the parts required for that step.
3. For larger items, please ensure that you have sufficient space and people (as indicated on page 1) to assemble your product safely.
4. We recommend that, where possible, all items are assembled near to the area in which they will be placed in use, to avoid moving the product unnecessarily once assembled.
5. For the protection of your furniture, we recommend that the product is placed on a protected surface during assembly to prevent any damage.
6. During assembly please take care not to over-tighten any fittings, as this may damage the product.
7. Always place the product on a flat, steady and stable surface.
8. Do not stand on the product. Do not use the product as a stepladder.
9. This product is intended for indoor, household use only as it is non industrial product.

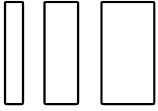
Care and Maintenance of your Furniture

- Please periodically check all fittings and re-tighten as necessary.
- To clean your item, please use a damp cloth and wipe clean.
- Never allow any kind of liquid to remain on your furniture. Absorption can cause wood to warp or finishes to de-laminate.
- Please do not place hot item (e.g. hot drinks) directly on to the wood surface.
- Please do not drag or pull your furniture.



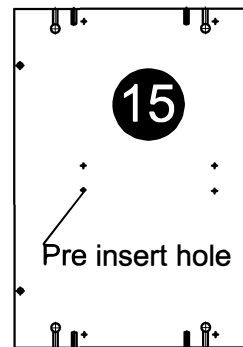
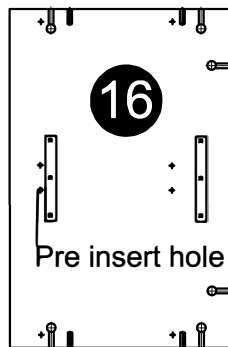
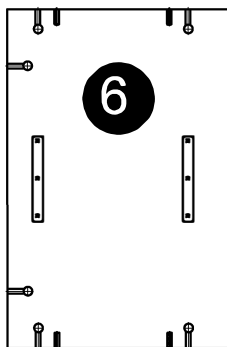
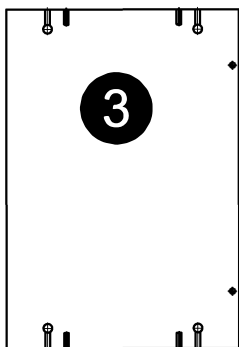
■ Parts list

NO.	Dimension	QTY	Drawing
①	1400*400*16	1	
②	1400*700*25	1	
③	578*396*16	1	
④	578*160*16	1	
⑤	578*120*16	1	
⑥	378*578*16	1	
⑦	374*344*16	1	
⑧	1364*578*16	1	



■ Parts list



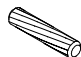
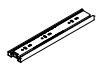
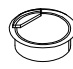















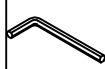

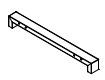
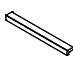


NO.	Dimension	QTY	Drawing
9	1400*400*16		
10	1000*340*16	1	
11	364*150*16	2	
12	350*80*16	4	
13	310*80*16	2	
14	320*327*4	2	
15	578*396*16	1	
16	378*578*16	1	

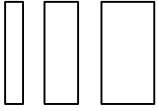


Warm Notice

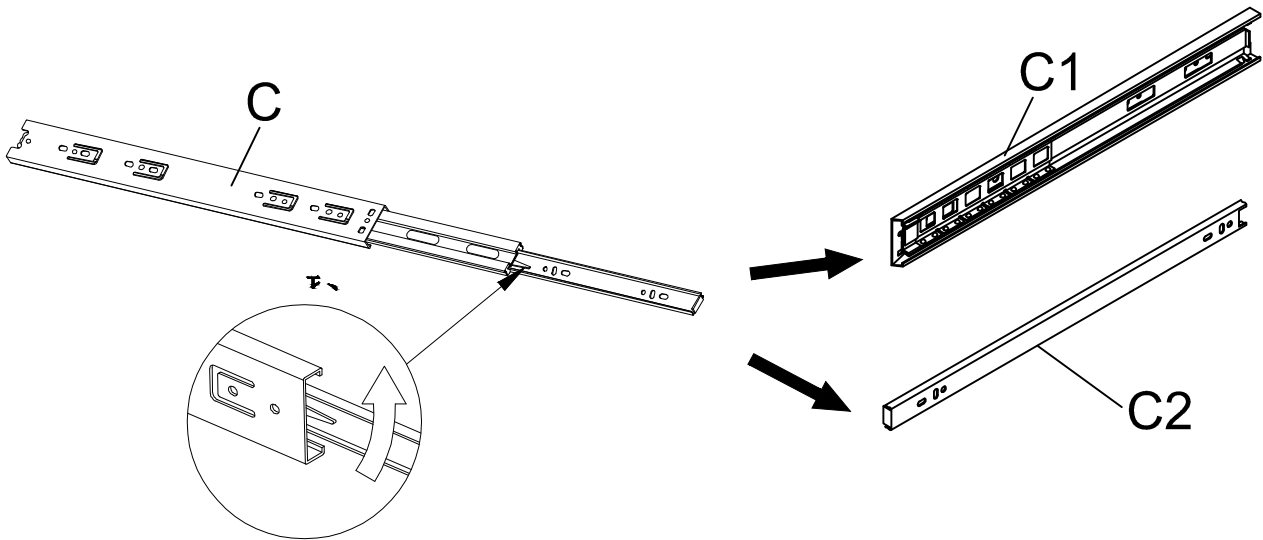
The boards are the same size, but they have different holes

■ Fixing List

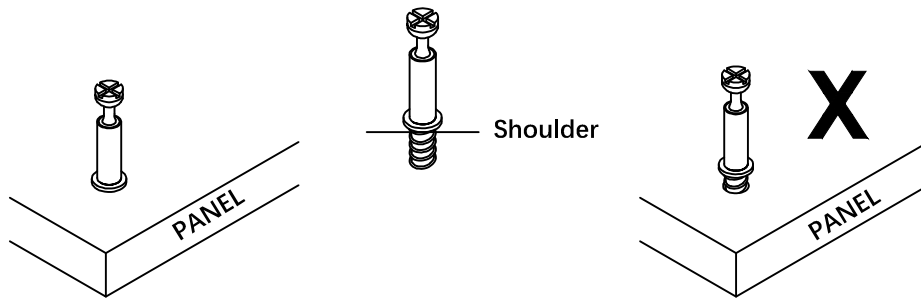
NO.	Description	Size(MM)		QTY	NO.	Description	Size(MM)		QTY
A1	Cam Lock	Ø15*11.5		34	A2	Cam bolt	Ø6*32		34
B	Wood dowel	Ø8*30		20	C	Drawer Sliders	12"		4
D	Round wire case			1	E	Wire Case			1
F	Shelf Pin			4	G	Self tapping screw	4*16		18
H	Self tapping screw	3.5*12		26	I	Self tapping screw	4*20		4
J	Self tapping screw	5*20		10	K	Self tapping screw	3.5*35		8
L		125*60*25		2	M	Coded lock			1
N		M6*25		2	O		Ø 15*6.5*1		2
P		M6*20		4	Q		M4*20		4
R		M8*20		16					
T		Ø50*30		5	U				1
V				36					
X				1	Y				2
Z				1	Z1				2



Tips before you start:

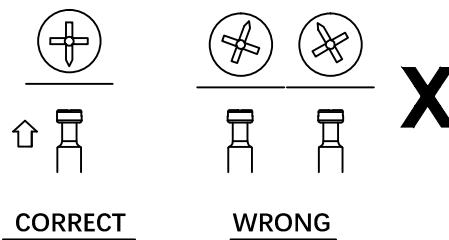


QUICKFIT



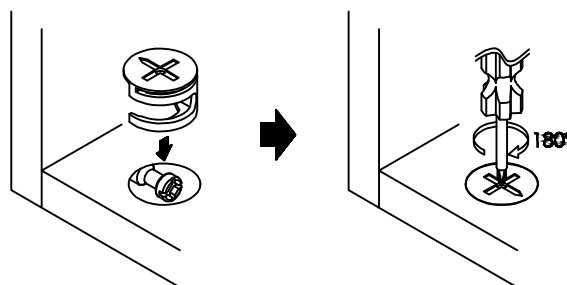
Tighten quickfit until shoulder is flush with panel. Do not overtighten or undertighten.

CAM LOCK

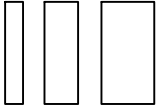


When fitting cam lock, ensure starting position is correct before you insert connecting quickfit.

Quickfit head should be in the centre of the camlock when the two panels are joined. Cam lock should be inserted before quickfit.

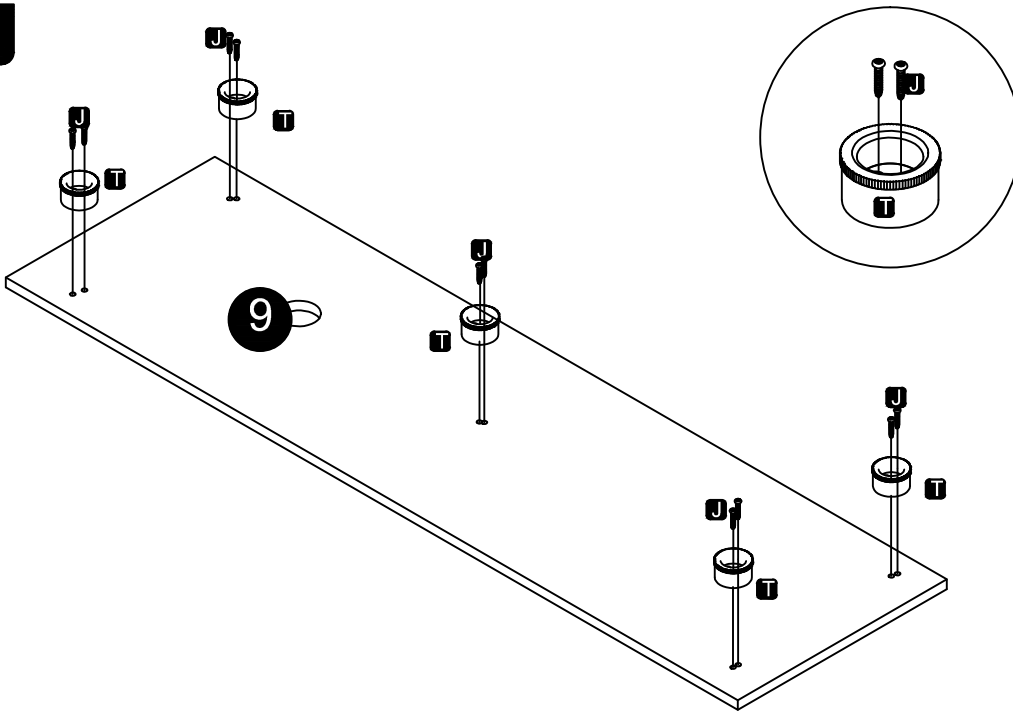


Turn camlock clockwise to tighten.



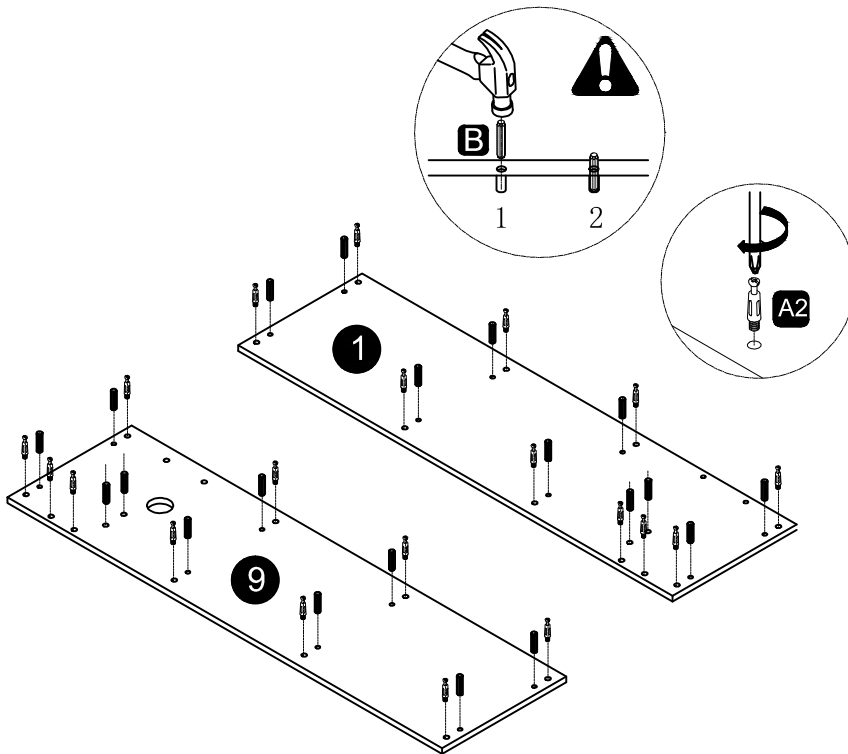
■ Assembly Steps

1



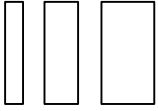
■ SCREWS	
T	∅50*30
	X 5
J	∅5*20
	X 10

2



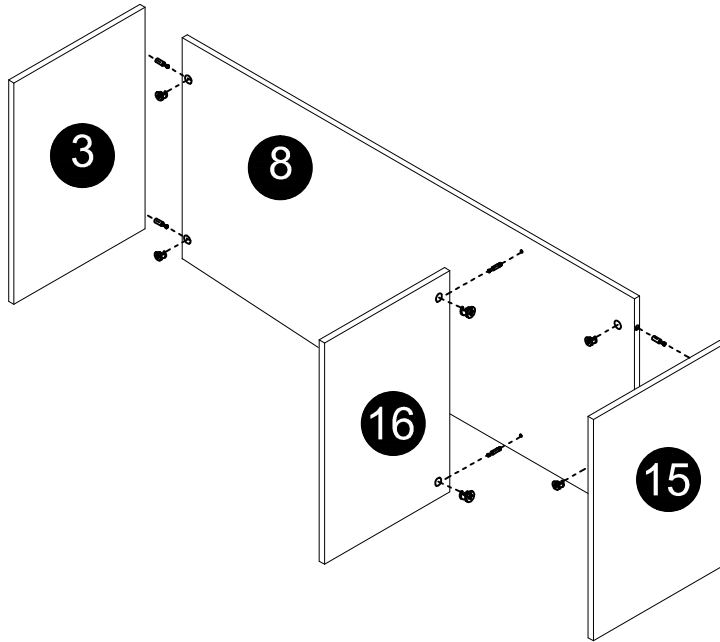
■ SCREWS	
A2	∅15*11.5
	X 20
B	∅8*30
	X 20





The following installation steps take the right installation as an example



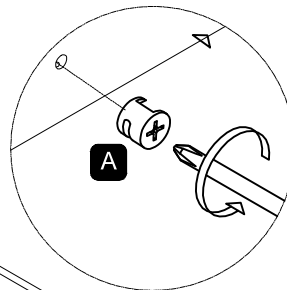
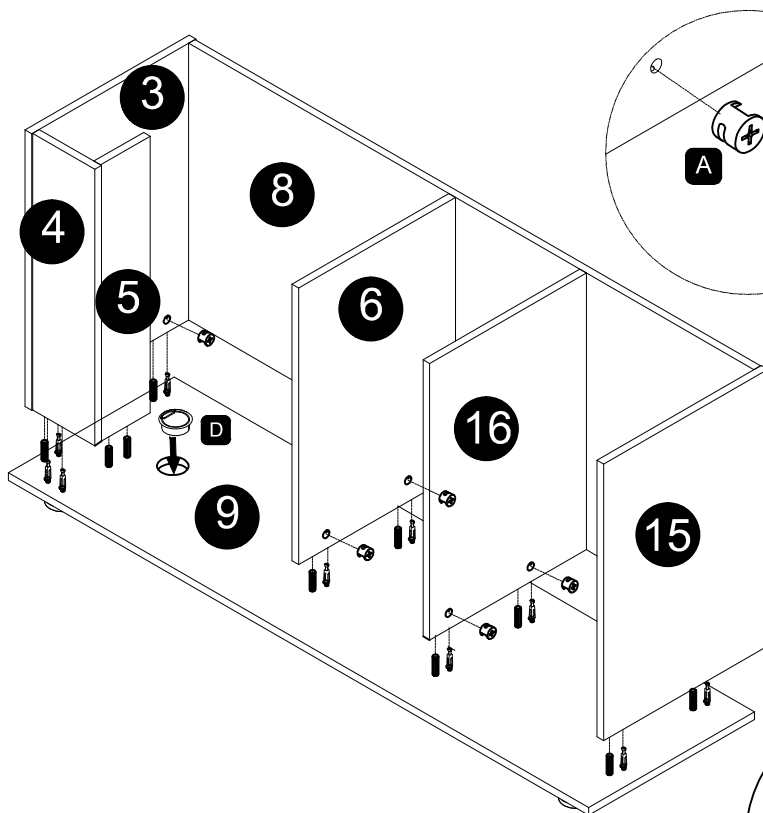
Assembly Steps







3

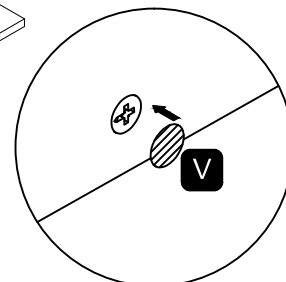


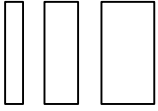
SCREWS	
A1 	∅15*11.5
	X 6
A2 	∅15*11.5
	X 6

4



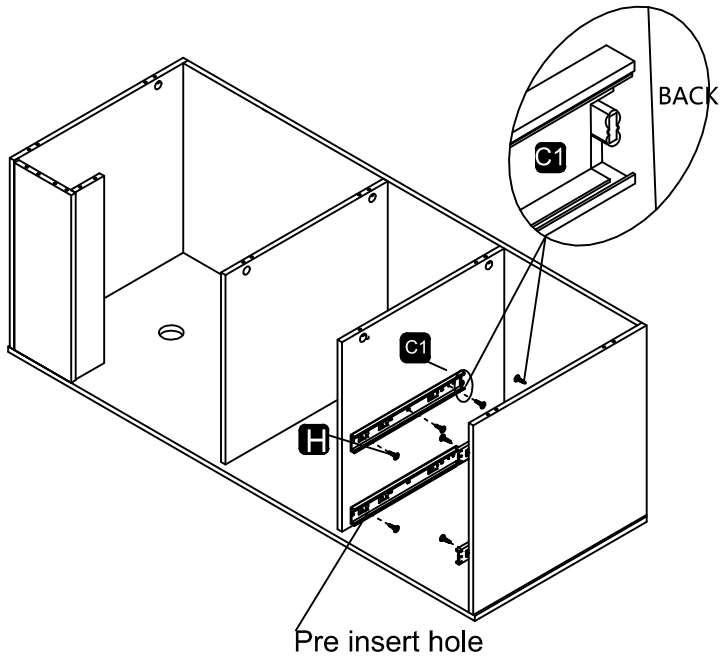
SCREWS	
A1 	∅15*11.5
	X 10
V 	
	X 10
D 	
	X 1







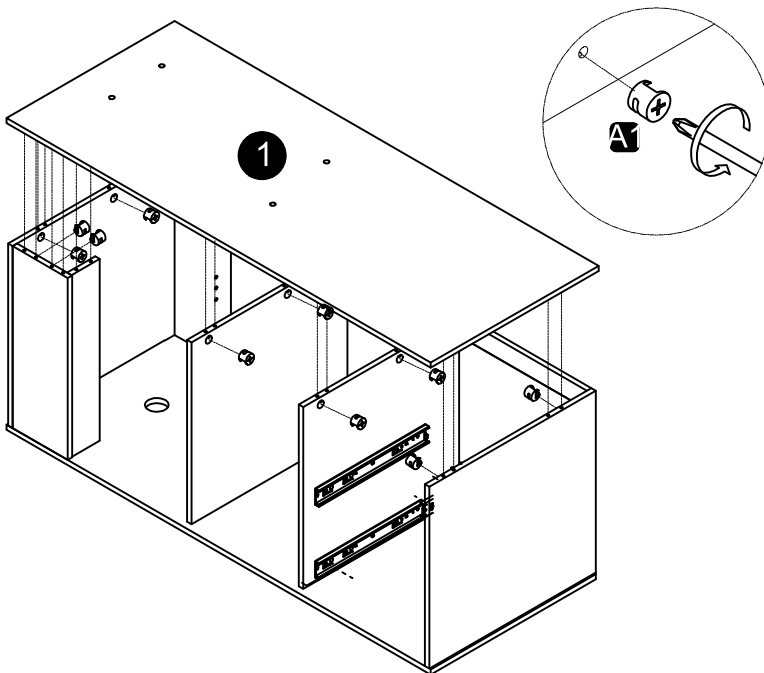
■ Assembly Steps


5

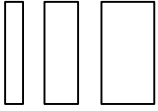


■ SCREWS	
H	3.5*12
	x12
C1	
	x 4

6


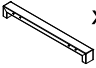
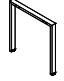



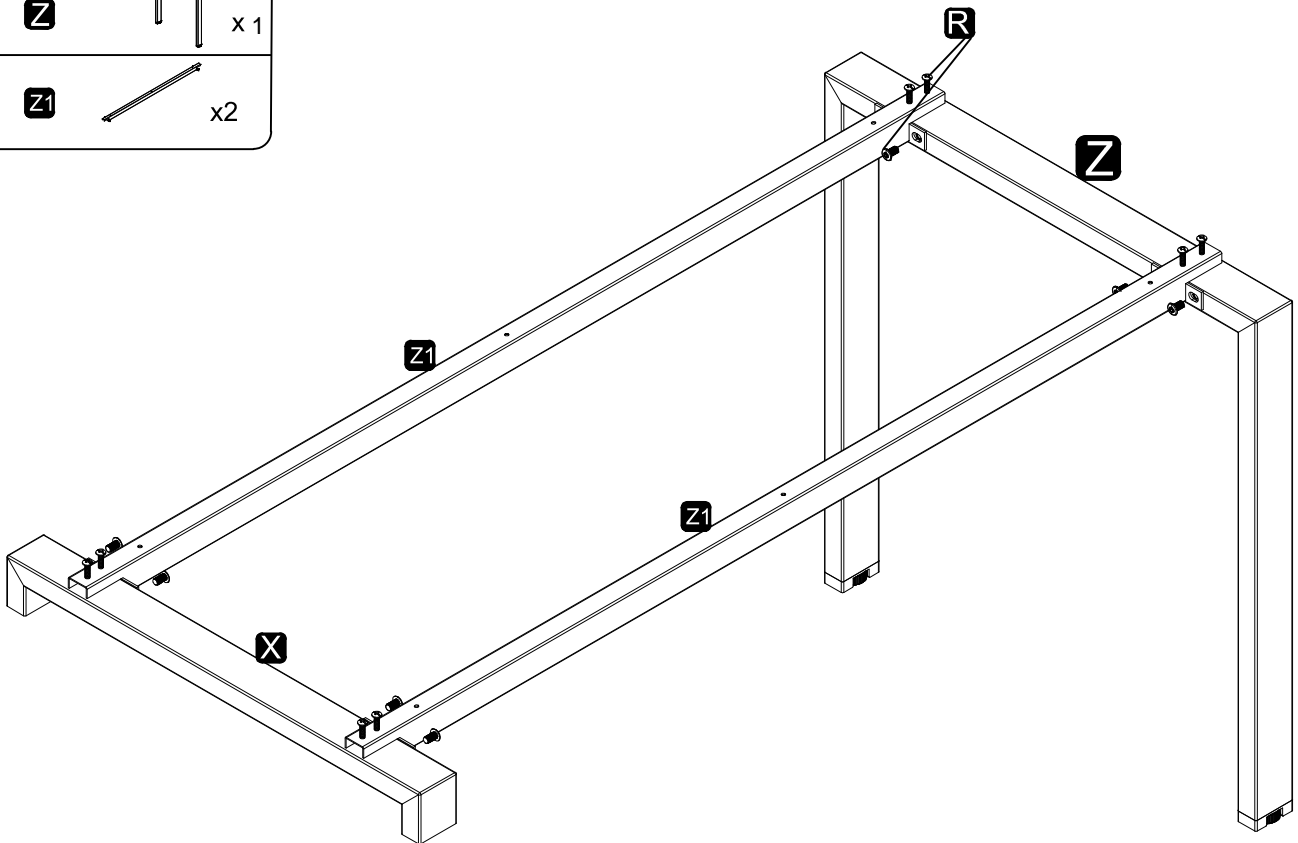
■ SCREWS	
A1	∅15*11.5
	X 10



Assembly Steps

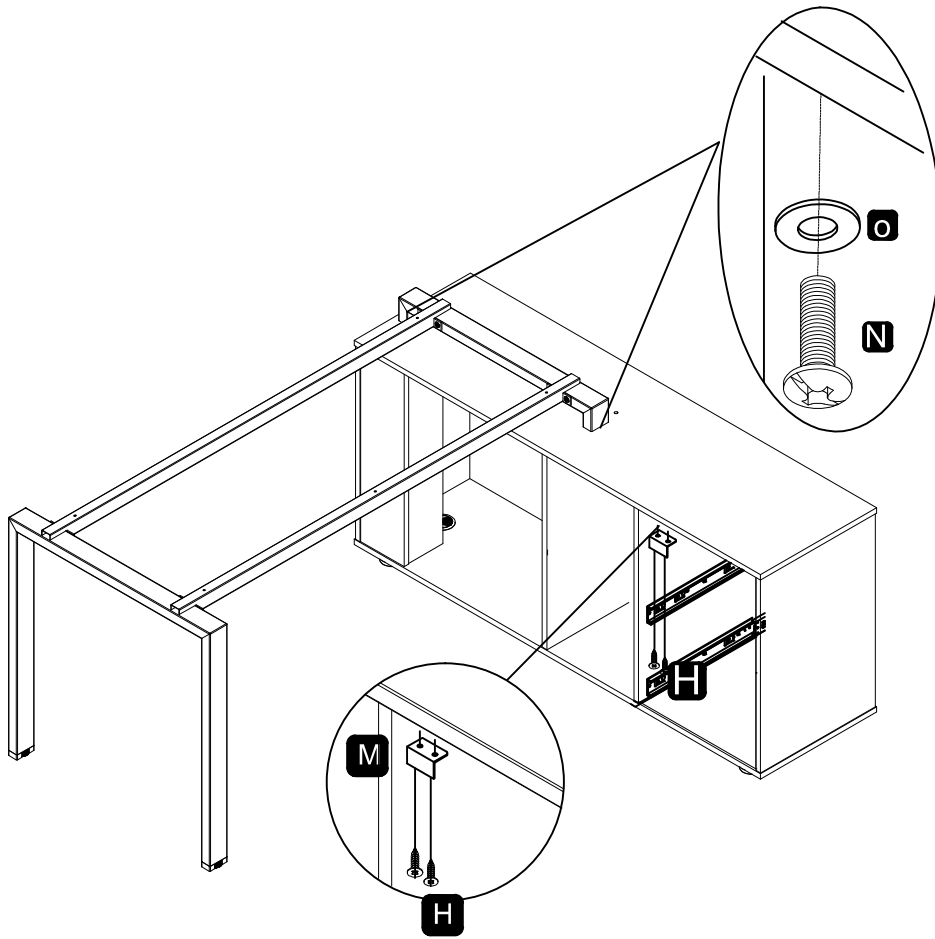
7

SCREWS	
R	M8*20
	x16
X	 x 1
Z	 x 1
Z1	 x2



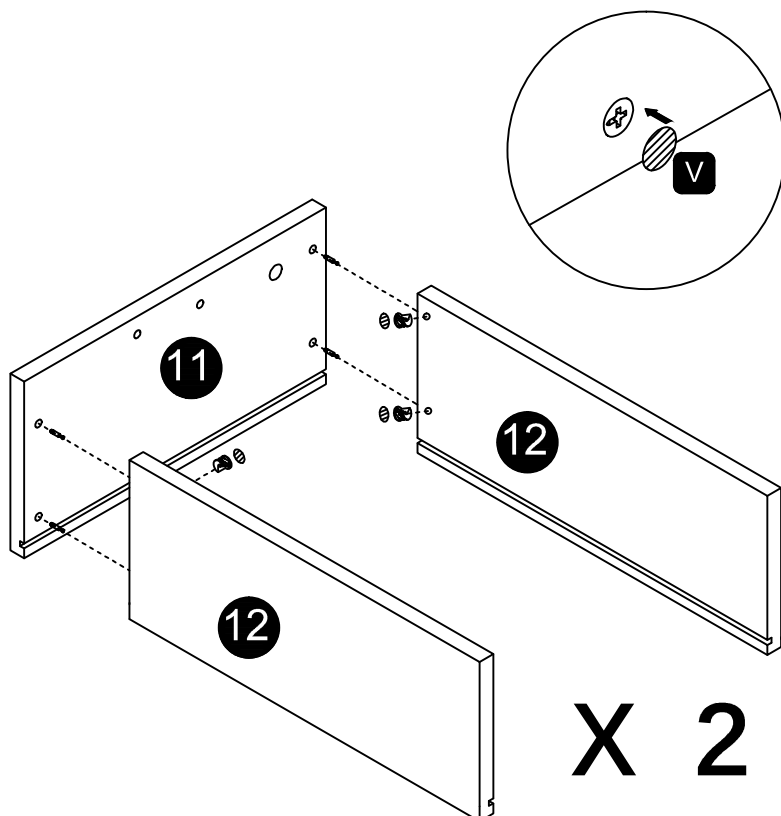
■ Assembly Steps

8



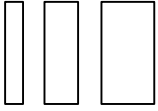
■ SCREWS	
H	3.5*12
	X 2
M	∅15*11.5
	X1
O	∅15*6.5*1
	X 2
N	M6*25
	X 2

9



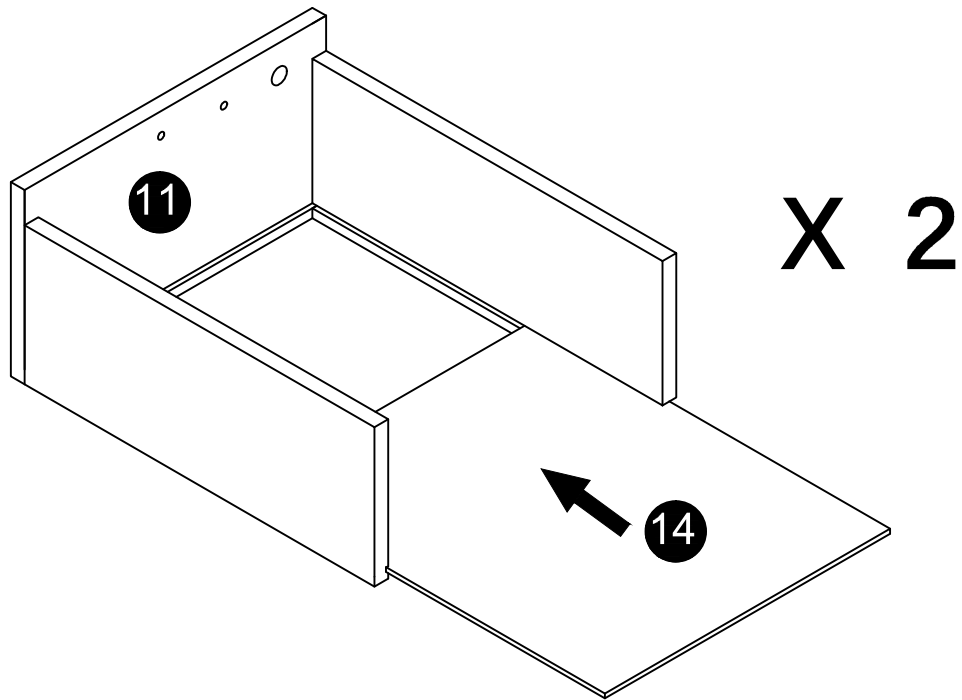
■ SCREWS	
A1	∅15*11.5
	X 8
A2	∅15*11.5
	X 8
V	
	X 8

X 2

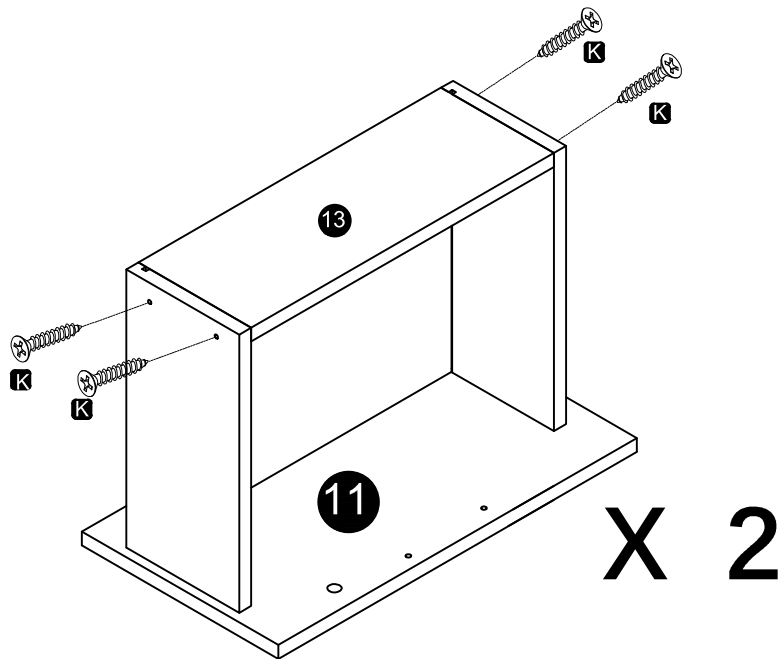




■ Assembly Steps

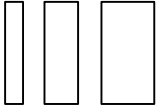
10



11

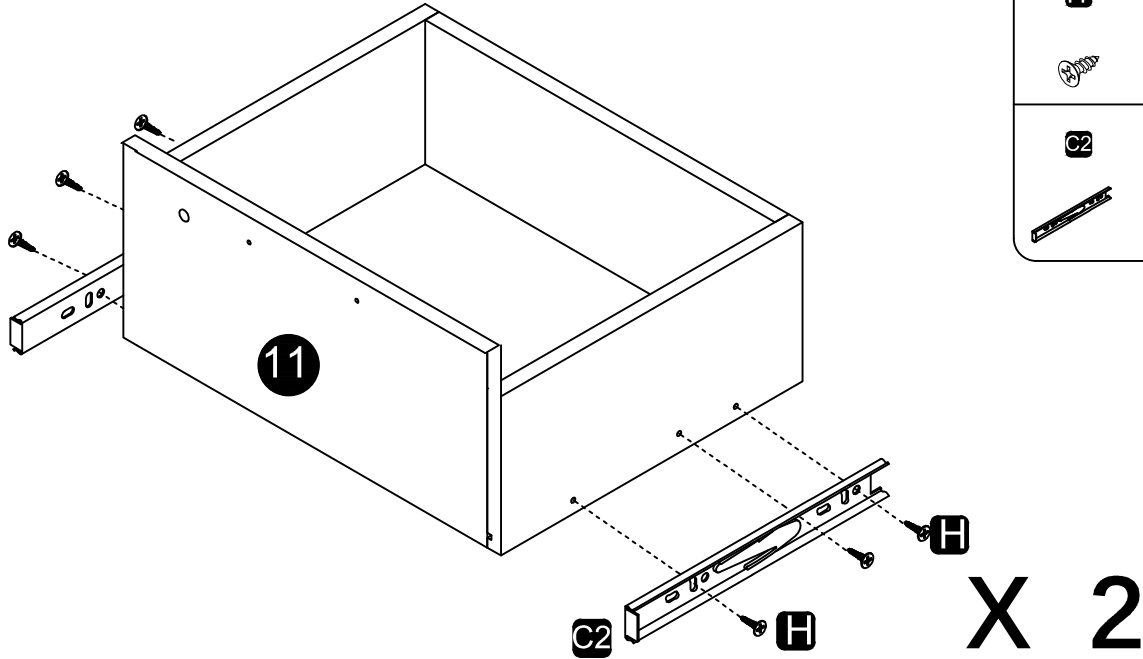


■ SCREWS	
	3.5*35
	X 8

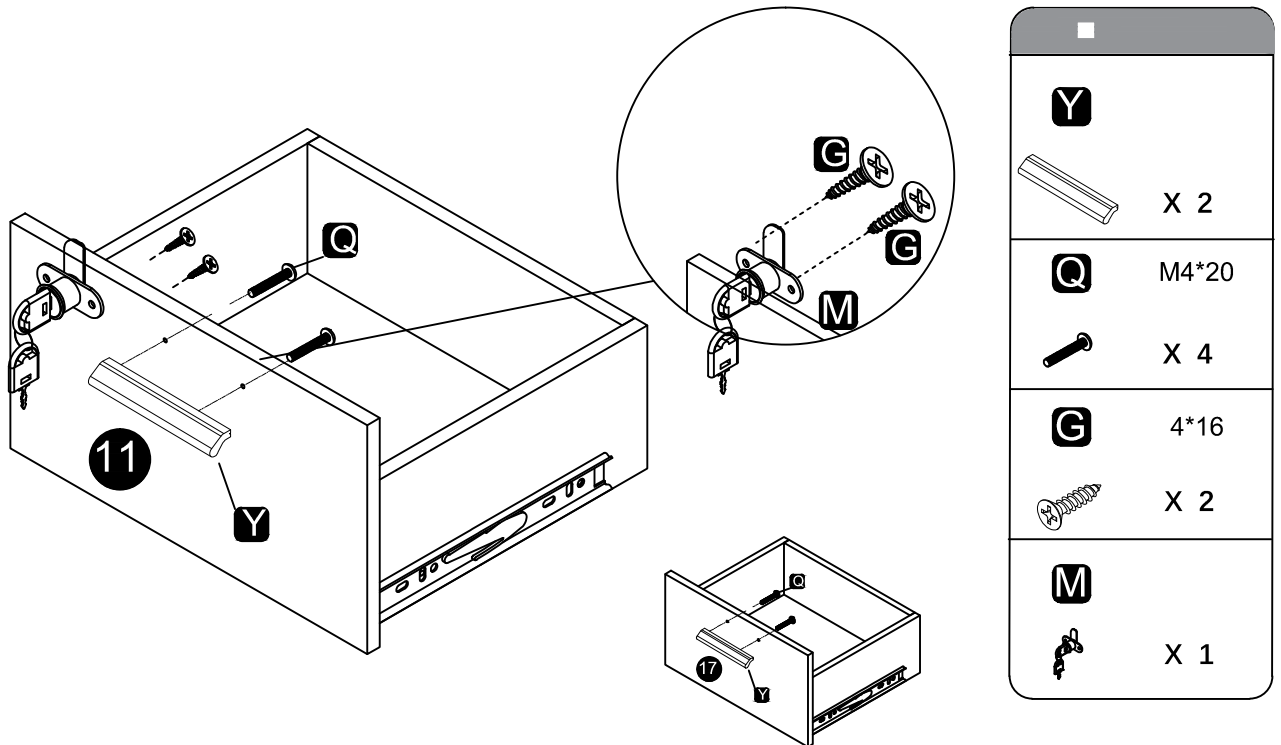


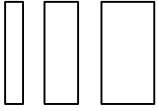
Assembly Steps

12



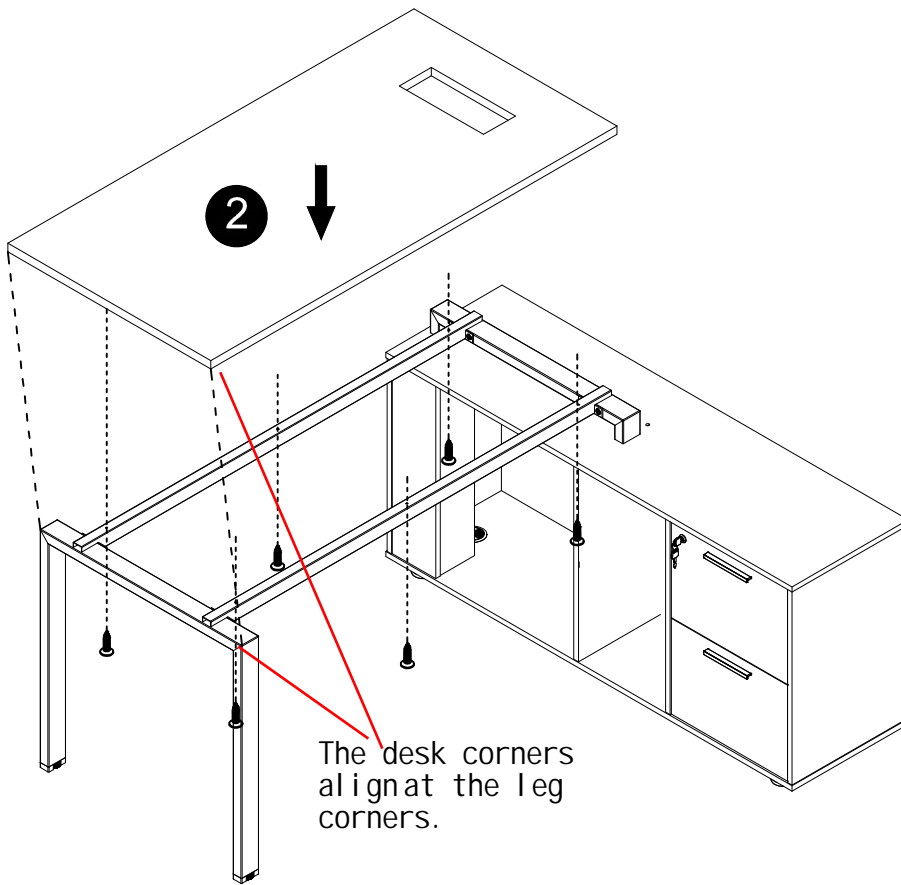
13





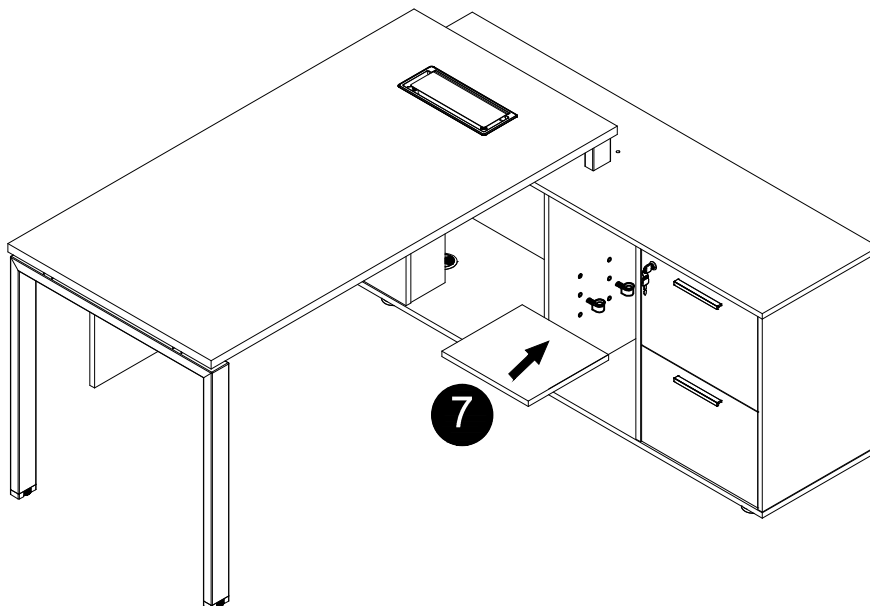
■ Assembly Steps

14

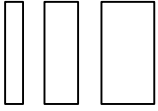


■ SCREWS	
G	4*16
	X 9

15

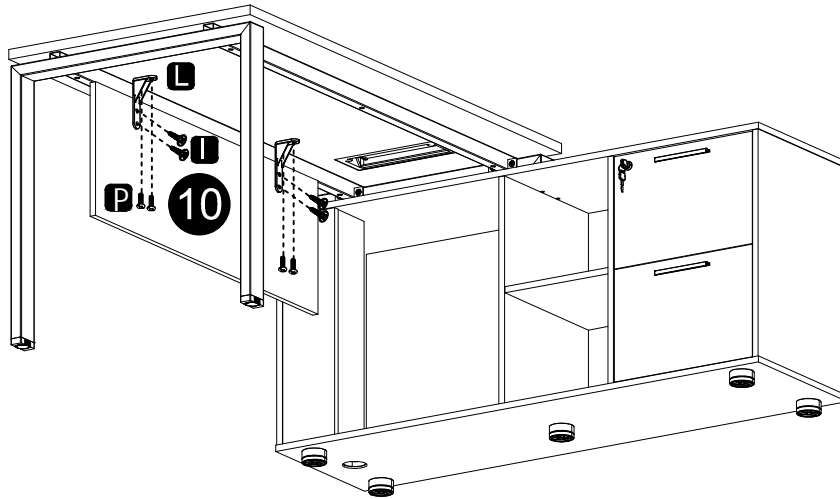







■ SCREWS	
F	26*12*8
	X 4



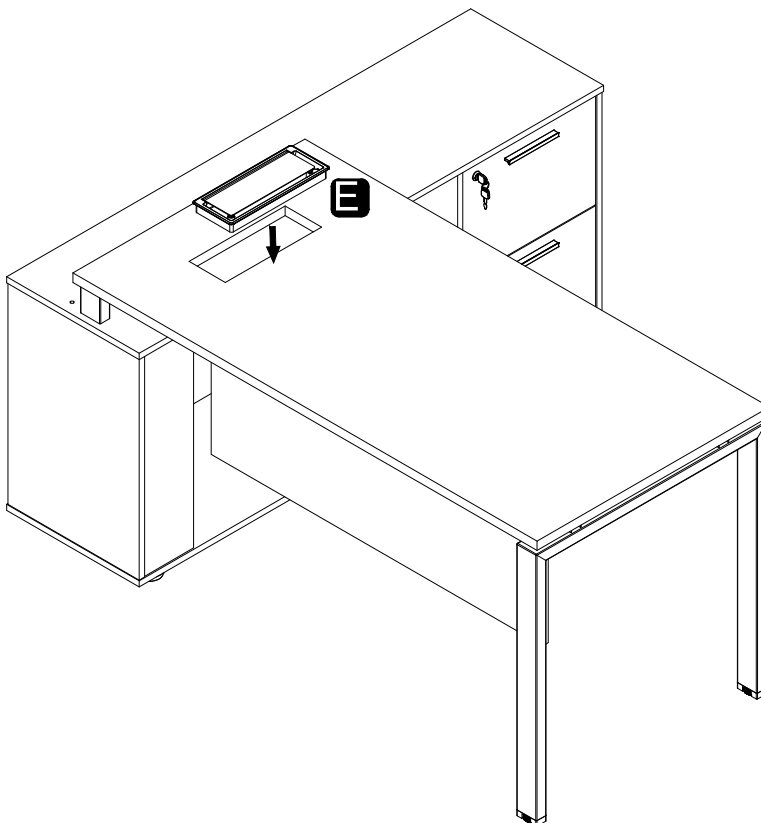
■ Assembly Steps



16



■ SCREWS	
	4*20 X 4
	X 4
	M4*20 X 4
	X 4
	125*60*25 X 2

17



■ SCREWS	
	X 1
	X 1

FINAL NOTE:

Do not drag the furniture as this may cause damage to the legs. Instead, ask at least 2 persons to lift carefully with caution from either end.

IMPORTANT: CARE GUIDE FOR YOUR MELAMINE BOARD FURNITURE

Please read up on important information regarding your furniture.

- Dust frequently with a clean damp, lint , free cloth.
- Avoid using chemicals or solvents when cleaning the furniture.
- Do not place hot objects on any furniture surface.
- Avoid exposing your furniture to strong sunlight.
- Do not expose your furniture to any liquids.
- Do not allow sharp or rough object scratch the surface of furniture.
- When moving furniture, do not drag it across the floor.